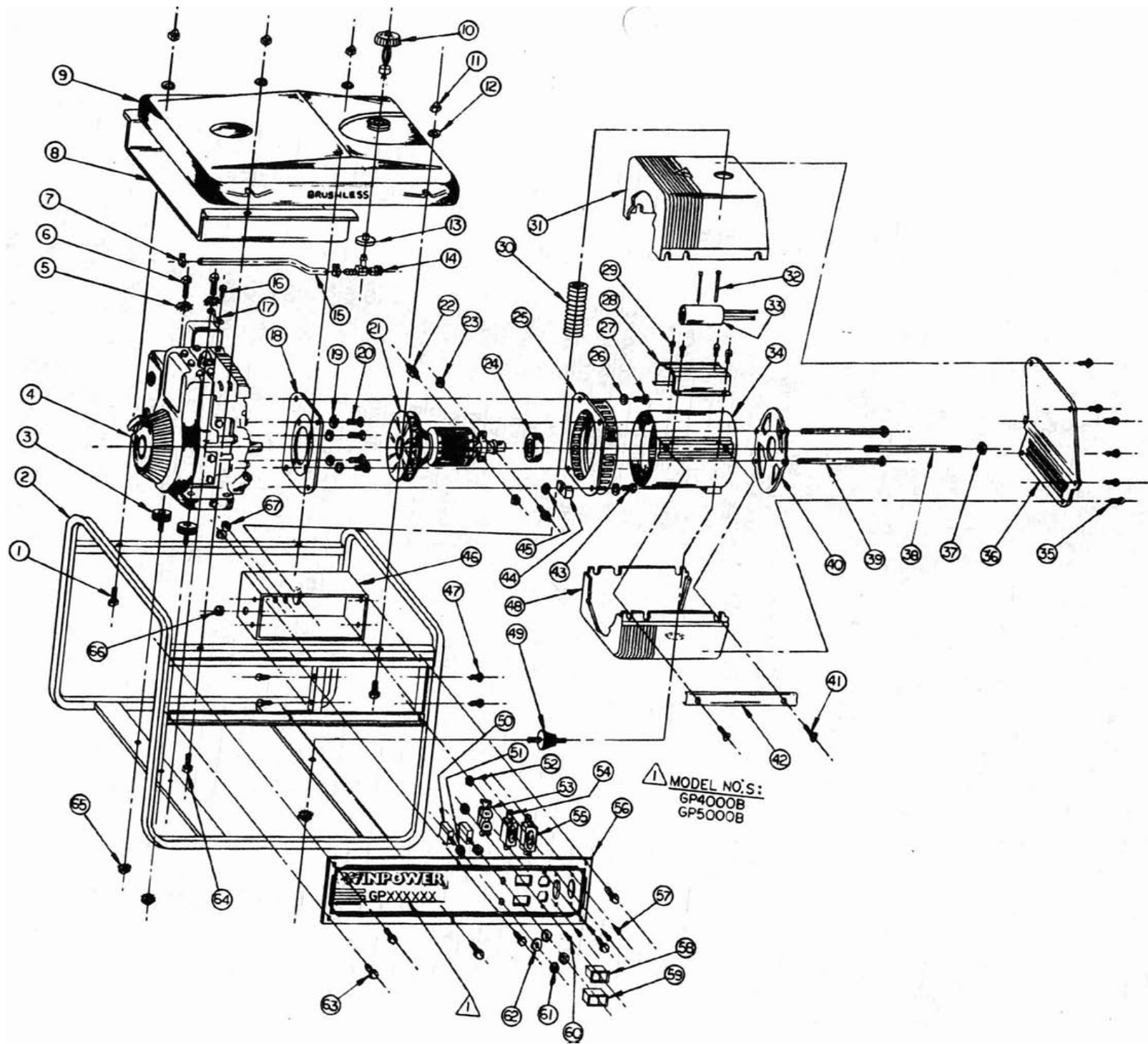


## PARTS LIST FOR GP5000B

ITEM	PART NO.	DESCRIPTION	QTY. REQD.
1	240017003	5/16-18 x 1 1/2 HEX HEAD CAP SCREW	2
2	244001002	CARRY FRAME	1
3	240009001	VIBRATION ISOLATOR	2
4	246002110	BRIGGS & STRATTON 11 HP ENGINE	1
5	240015001	5/16 SHAKEPROOF WASHER	2
6	240017003	5/16-18 x 1 1/2 HEX HEAD CAP SCREW	2
7	240024001	1/4 HOSE CLAMP	2
8	240033002	HEAT SHIELD	1
9	240022003	6 GALLON FUEL TANK	1
10	240020003	FUEL CAP W/ GAUGE	1
11	240016004	5/16-18 ACORN NUT	4
12	240015002	5/16 FLAT WASHER	4
13	244020002	FUEL SHUTOFF GROMMET	1
14	244020001	FUEL SHUTOFF VALVE	1
15	240300250	1/4 FUEL LINE HOSE	1 1/2 Ft.
16	240017001	10-24 x 3/8 SELF TAPPING SCREW	1
17	240011001	GROUND STRAP ASSY.	1
18	240005001	COUPLING FLANGE	1
19	240015006	3/8 LOCK WASHER	4
20	240017011	5/16-16 x 3/4 HEX HEAD CAP SCREW	4
21	240005023	ROTOR	1
22	240005003	DIODE	2
23	240005004	DIODE MOUNTING UNIT	2
24	240005005	BEARING	1
25	240005006	D E BRACKET	1
26	240005007	M8 LOCK WASHER	4
27	240005008	M8 x 20 HEX HEAD CAP SCREW	3
28	240005009	CAP. MTG. TRAY	1
29	240005010	CAP. MTG. TRAY SCREW	4
30	244029002	PLASTIC HOSE	1
31	240005046	TOP PLASTIC COVER	1
32	240005012	CAPACITOR FASTENER	2
33	240005024	CAPACITOR	1
34	240005025	STATOR ASSY.	1
35	240005014	END COVER MTG. SCREW	6
36	240005047	END COVER	1
37	240005016	M8 SERPRESS NUT	1
38	240005015	ROTOR DRAW BOLT	1
39	240005017	DRAW BOLT	4
40	240005018	N D E BRACKET	1
41	240005019	FASTENING STRIP MTG. SCREW	4
42	240005020	FASTENING STRIP	2
43	240017004	M8 x 30 HEX HEAD CAP SCREW	1
44	240010001	GROUND LUG	1
45	240016002	M8 HEX NUT	1
46	244028002	CONTROL BOX	1
47	240017001	10-24 x 3/8 SELF TAPPING SCREW	4
48	240005022	BOTTOM PLASTIC COVER	1
49	240009004	VIBRATION ISOLATOR	1
50	240013250	CIRCUIT BREAKER 25A/250V	2
51	240013001	PALNUT	2
52	240016003	8-32 HEX NUT W/ KEPS	2
53	240007200	DUPLEX RECEPTACLE 20A/125V	1
54	240007301	TWIST LOCK RECEPTACLE 30A/125V	1
55	240008201	TWIST LOCK RECEPTACLE 20A/250V	1
56	246026003	CONTROL PANEL	1
57	240017015	6-32 x 3/8 ROUND HEAD SCREW	4
58	240027031	ON/OFF SWITCH	1
59	240027202	FULL POWER SWITCH	1
60	240017005	8-32 x 3/8 ROUND HEAD SCREW	2
61	240013002	KNURLNUT	2
62	240013003	NAMEPLATE	2
63	240017001	10-24 x 3/8 SELF TAPPING SCREW	6
64	240017009	5/16-18 x 1 1/8 HEX HEAD CAP SCREW	2
65	240016001	5/16-18 HEX NUT W/ KEPS	3
66	240020022	GROMMET	1
67	240020021	DOME PLUG	2



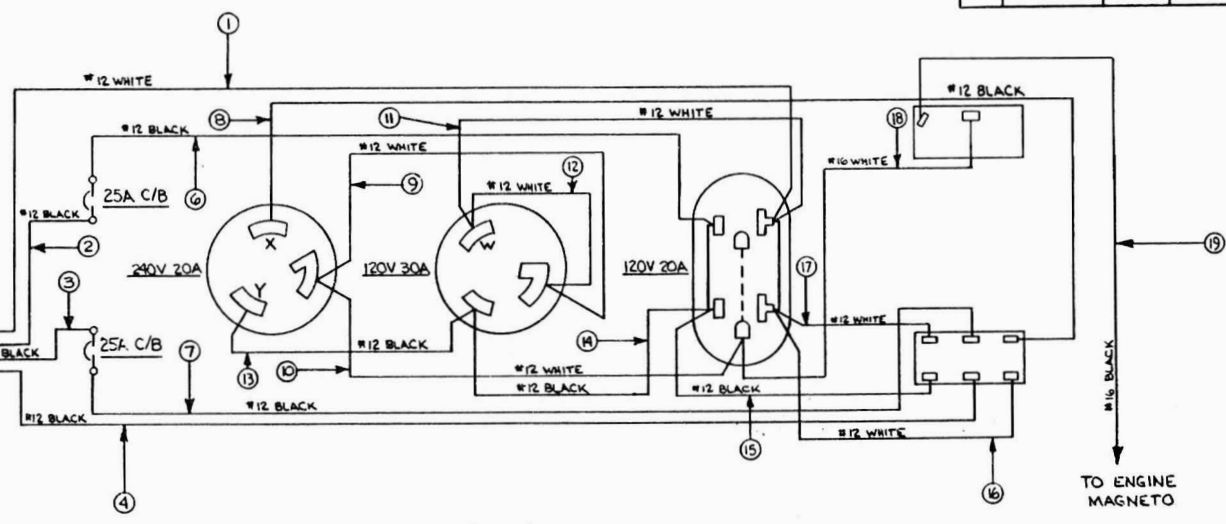
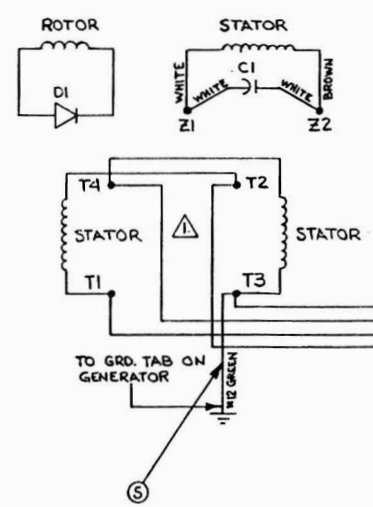
⚠ MODEL NO.'S:  
GP4000B  
GP5000B

0052109b7  
246012500

29

GENERATOR

CONTROL PANEL (REAR)



LEAD	WIRE				TERMINALS	
ITEM	RAW MATL.	SIZE	COLOR	LENGTH	A END	B END
1	240200123	#12	WHITE	21"	240019001	240019001
2	240200121	#12	BLACK	22"	240019001	240019002
3	240200121	#12	BLACK	22"	240019001	240019002
4	240200121	#12	BLACK	21"	240019001	240019002
5	240200122	#12	GREEN	5"	240019001	240019002
6	240200121	#12	BLACK	6"	240019001	240019002
7	240200121	#12	BLACK	6"	240019002	240019002
8	240200121	#12	BLACK	10"	240019001	240019002
9	240200123	#12	WHITE	4"	240019001	240019001
10	240200123	#12	WHITE	6"	240019001	240019001
11	240200123	#12	WHITE	6"	240019001	240019001
12	240200123	#12	WHITE	4"	240019001	240019001
13	240200121	#12	BLACK	4"	240019001	240019001
14	240200121	#12	BLACK	4"	240019001	240019001
15	240200121	#12	BLACK	5"	240019001	240019002
16	240200123	#12	WHITE	4"	240019001	240019002
17	240200123	#12	WHITE	4"	240019001	240019002
18	240200126	#16	WHITE	5"	240019007	240019009
19	240200125	#16	BLACK	29"	240019009	240019008

TO ENGINE MAGNETO

REMOVE TERMINAL LINKS FROM TERMINAL BOARD & DISCARD  
NOTES:

TOLERANCES  
UNLESS OTHERWISE SPECIFIED:  
DIMENSIONS OF .005 ALLOW ± .005  
DIMENSIONS OF .010 ALLOW ± .010  
DIMENSIONS OF .015 ALLOW ± .015  
DIMENSIONS OF .020 ALLOW ± .020

STRAIGHT  
FLANGES  
CONCENTRIC  
PARALLEL  
ROUND  
CENTRAL

PAGE 2 of 2  
(PAGE 1 of 2 IS 1/2 SIZE)

MATL NOTED  
TREAT  
FINISH

DATE	LET.	REVISION RECORD	C/N	DR.
SCALE	NONE	DRAWN	PKC	DATE 5-4-87
CHK'D		APP'D	JEC	RELEASED 5-5-87
THE PIERCE COMPANY, INC. A SUBSIDIARY OF AVIS INDUSTRIAL CORPORATION UPLAND, IND. U.S.A. 46988				ON E.C.M. 5012 NEXT ASSY REP. GP5000B NEXT PART REP.
PANEL ASSY GP5000B				PATTERN PART NO. 246012500