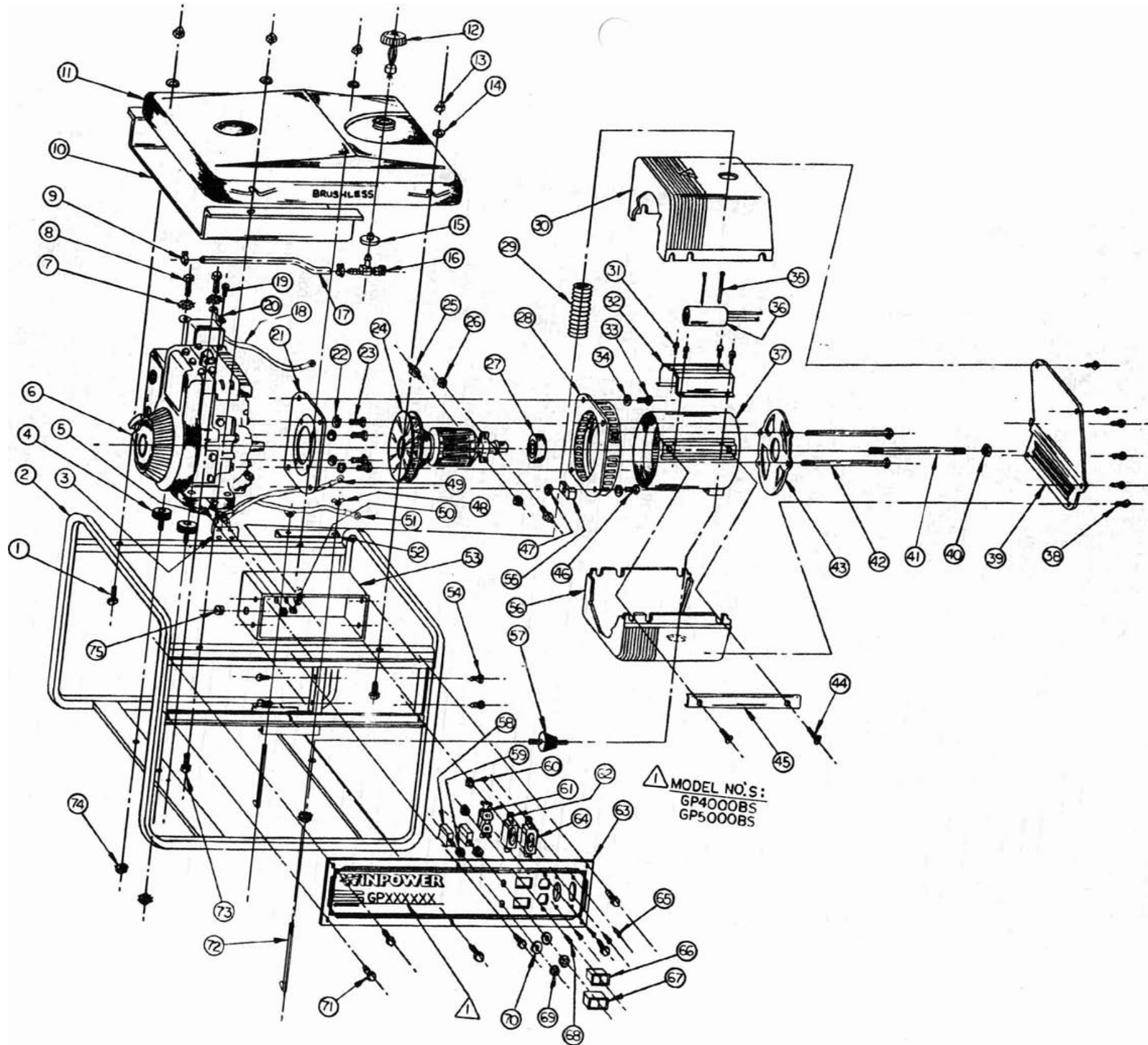


PARTS LIST FOR GP4000BS

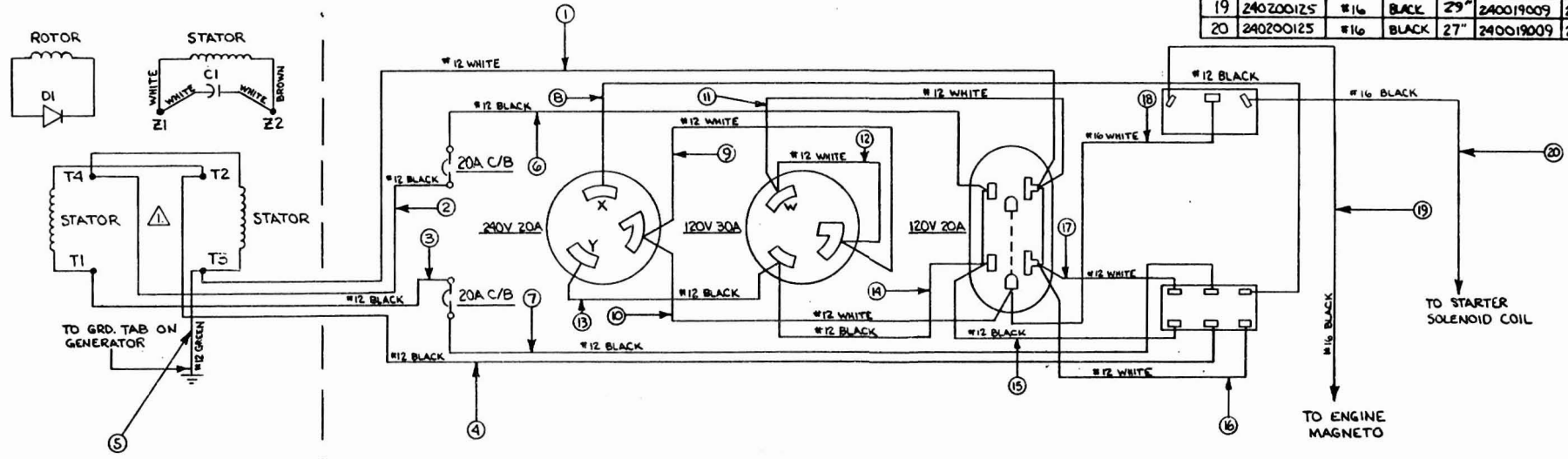
ITEM	PART NO.	DESCRIPTION	QTY. REQD.
1	240017003	5/16-18 x 1 1/2 HEX HEAD CAP SCREW	2
2	244001005	CARRY FRAME	1
3	240027801	STARTER SOLENOID	1
4	240009001	VIBRATION ISOLATOR	2
5	240017018	1/4-20 x 3/4 HEX HEAD CAP SCREW	2
6	248002081	BRIGGS & STRATTON 8 HP ENGINE	1
7	240015001	5/16 SHAKEPROOF WASHER	2
8	240017003	5/16-18 x 1 1/2 HEX HEAD CAP SCREW	2
9	240024001	1/4 HOSE CLAMP	2
10	240033002	HEAT SHIELD	1
11	240022003	6 GALLON FUEL TANK	1
12	240020003	FUEL CAP W/ GAUGE	1
13	240016004	5/16-18 ACORN NUT	4
14	240015002	5/16 FLAT WASHER	4
15	244020002	FUEL SHUTOFF GROMMET	1
16	244020001	FUEL SHUTOFF VALVE	1
17	240300250	1/4 FUEL LINE HOSE	1 1/2 Ft.
18	240020007	NEGATIVE BATTERY CABLE	1
19	240017001	10-24 x 3/4 SELF TAPPING SCREW	1
20	240011001	GROUND STRAP ASSY.	1
21	240005001	COUPLING FLANGE	1
22	240015006	3/8 LOCK WASHER	4
23	240017011	5/16-16 x 3/4 HEX HEAD CAP SCREW	4
24	240005002	ROTOR	1
25	240005003	DIODE	2
26	240005004	DIODE MOUNTING UNIT	2
27	240005005	BEARING	1
28	240005006	D E BRACKET	1
29	244029002	PLASTIC HOSE	1
30	240005046	TOP PLASTIC COVER	1
31	240005010	CAP. MTG. TRAY SCREW	4
32	240005009	CAP. MTG. TRAY	1
33	240005008	M8 x 20 HEX HEAD CAP SCREW	3
34	240005007	M8 LOCK WASHER	4
35	240005012	CAPACITOR FASTENER	2
36	240005013	CAPACITOR	1
37	240005021	STATOR ASSY.	1
38	240005014	END COVER MTG. SCREW	6
39	240005047	END COVER	1
40	240005016	M8 SERPRESS NUT	1
41	240005015	ROTOR DRAW BOLT	1
42	240005017	DRAW BOLT	4
43	240005018	N D E BRACKET	1
44	240005019	FASTENING STRIP MTG. SCREW	4
45	240005020	FASTENING STRIP	2
46	240017004	M8 x 30 HEX HEAD CAP SCREW	1
47	240016002	M8 HEX NUT	1
48	240020020	1/4-20 WING NUT	2
49	240020026	POSITIVE BATTERY CABLE	1
50	240016005	1/4-20 HEX NUT W/ KEPS	2
51	240020026	POSITIVE BATTERY CABLE	1
52	240020001	BATTERY CARRY FRAME	1
53	244028002	CONTROL BOX	1
54	240017001	10-24 x 3/4 SELF TAPPING SCREW	4
55	240010001	GROUND LUG	1
56	240005022	BOTTOM PLASTIC COVER	1
57	240009004	VIBRATION ISOLATOR	1
58	240013200	CIRCUIT BREAKER 20A/250V	2
59	240013001	PALNUT	2
60	240016003	8-32 HEX NUT W/ KEPS	2
61	240007200	DUPLEX RECEPTACLE 20A/125V	1
62	240007301	TWIST LOCK RECEPTACLE 30A/125V	1
63	246026003	CONTROL PANEL	1
64	240008201	TWIST LOCK RECEPTACLE 20A/250V	1
65	240017015	6-32 x 3/4 ROUND HEAD SCREW	4
66	240027062	ON/OFF SWITCH	1
67	240027202	FULL POWER SWITCH	1
68	240017005	8-32 x 3/4 ROUND HEAD SCREW	2
69	240013002	KNURLNUT	2
70	240013003	NAMEPLATE	2
71	240017001	10-24 x 3/4 SELF TAPPING SCREW	6
72	240020002	BATTERY HOLD DOWN BOLT	2
73	240017009	5/16-18 x 1 1/4 HEX HEAD CAP SCREW	2
74	240016001	5/16-18 HEX NUT W/ KEPS	3
75	240020022	GROMMET	1



246012404

GENERATOR

CONTROL PANEL (REAR)



25

LEAD	WIRE					TERMINALS	
	ITEM	RAW MATL.	SIZE	COLOR	LEN	A END	B END
1	240200123	#12	WHITE	21"	240019001	240019001	
2	240200121	#12	BLACK	22"	240019001	240019002	
3	240200121	#12	BLACK	22"	240019001	240019002	
4	240200121	#12	BLACK	21"	240019001	240019002	
5	240200122	#12	GREEN	5"	240019001	240019002	
6	240200121	#12	BLACK	6"	240019001	240019002	
7	240200121	#12	BLACK	6"	240019002	240019002	
8	240200121	#12	BLACK	10"	240019001	240019002	
9	240200123	#12	WHITE	4"	240019001	240019001	
10	240200123	#12	WHITE	6"	240019001	240019001	
11	240200123	#12	WHITE	6"	240019001	240019001	
12	240200123	#12	WHITE	4"	240019001	240019001	
13	240200121	#12	BLACK	4"	240019001	240019001	
14	240200121	#12	BLACK	4"	240019001	240019001	
15	240200121	#12	BLACK	5"	240019001	240019002	
16	240200123	#12	WHITE	4"	240019001	240019002	
17	240200123	#12	WHITE	4"	240019001	240019002	
18	240200126	#16	WHITE	5"	240019007	240019009	
19	240200125	#16	BLACK	29"	240019009	240019008	
20	240200125	#16	BLACK	27"	240019009	240019008	

REMOVE TERMINAL LINKS FROM TERMINAL BOARD & DISCARD.
NOTES:

UNLESS OTHERWISE SPECIFIED:
ALL DIMENSIONS IN INCHES
HOLE DIMENSIONS OF
20 ALLOW .005
25 ALLOW .010
30 ALLOW .015
HOLE DIMENSIONS OF
20 ALLOW .005
25 ALLOW .010
30 ALLOW .015

PAGE 2 OF 2
(PAGE 1 OF 2 IS "D" SIZE)
NOTED

DATE	LET.	REVISION RECORD	DATE	C/W	DR.
SCALE	NONE	DRAWN	PTC	DATE	5-4-89
CHK'D		APP'D	J.E.C.	RELEASED	5-5-89
THE PIERCE COMPANY, INC.			ON E.C.A.	2042	21
A SUBSIDIARY OF			NEXT ARMY REP.	GP4000BS	
AVIS INDUSTRIAL CORPORATION			UPLAND, IND. U.S.A. 46988	NEXT PART REP.	
NAME			PATTERN		
PANEL ASSY			PART NO.		REV.
GP4000BS			246012404		