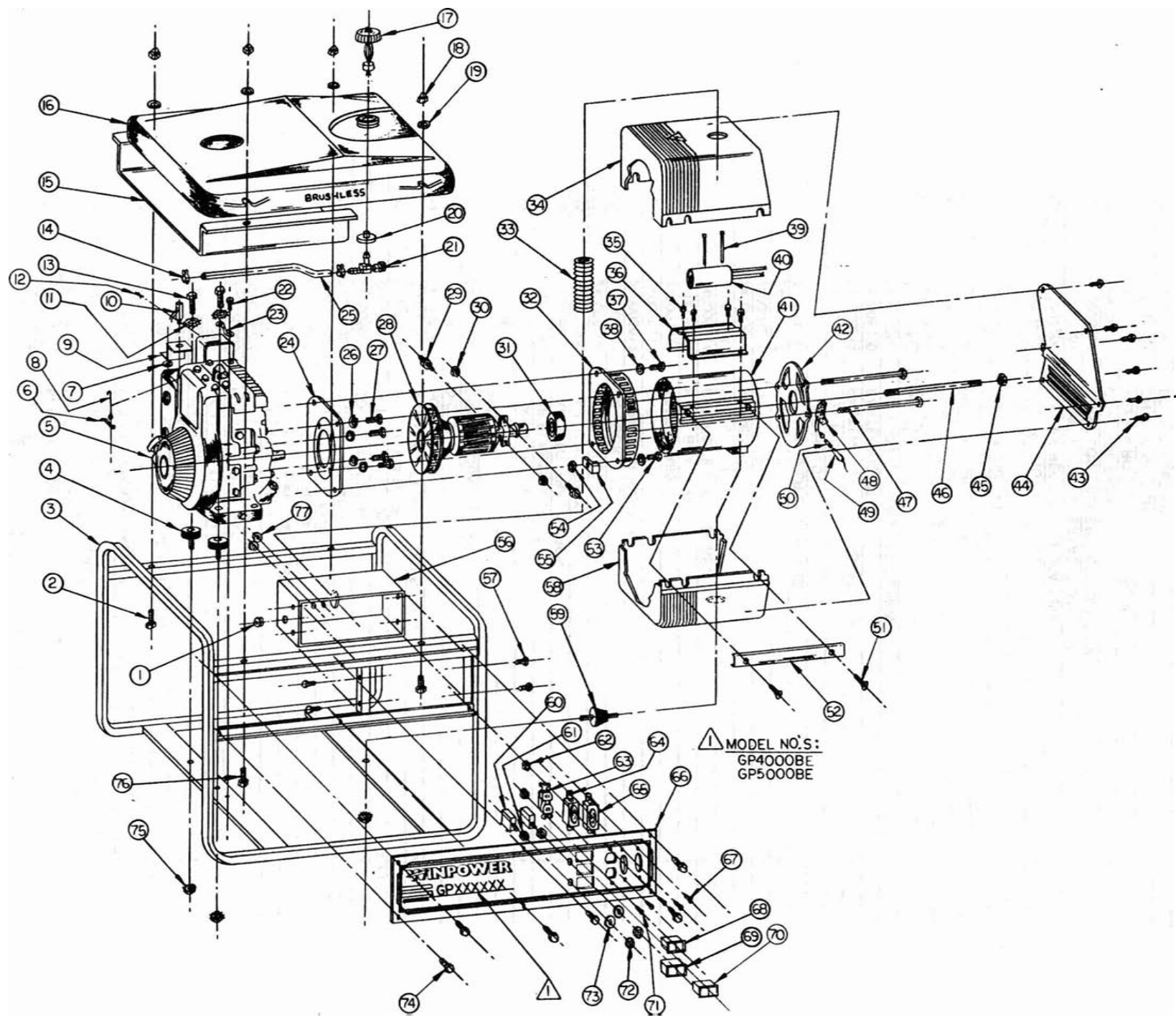


PARTS LIST FOR GP4000BE

ITEM	PART NO.	DESCRIPTION	QTY. REQD.
1	240020022	GROMMET	1
2	240017003	5/16-18 x 1 1/2 HEX HEAD CAP SCREW	2
3	244001003	CARRY FRAME	1
4	240009001	VIBRATION ISOLATOR	2
5	248002080	BRIGGS & STRATTON 8 HP ENGINE	1
6	240034012	THROTTLE LEVER	1
7	240015002	5/16 FLAT WASHER	1
8	240034013	THROTTLE LINKAGE	1
9	240020027	SOLENOID MTG. BRACKET	1
10	240034001	SOLENOID COIL	1
11	240015001	5/16 SHAKEPROOF WASHER	2
12	240017017	5/16 COTTER PIN	1
13	240017003	5/16-18 x 1 1/2 HEX HEAD CAP SCREW	2
14	240024001	1/4 HOSE CLAMP	2
15	240033002	HEAT SHIELD	1
16	240022003	6 GALLON FUEL TANK	1
17	240020003	FUEL CAP W/ GAUGE	1
18	240016004	5/16-18 ACORN NUT	4
19	240015002	5/16 FLAT WASHER	4
20	244020002	FUEL SHUTOFF GROMMET	1
21	244020001	FUEL SHUTOFF VALVE	1
22	240017001	10-24 x 5/8 SELF TAPPING SCREW	1
23	240011001	GROUND STRAP ASSY.	1
24	240005001	COUPLING FLANGE	1
25	240300250	1/4 FUEL LINE HOSE	1 1/2 Ft.
26	240015008	5/8 LOCK WASHER	4
27	240017011	5/16-18 x 3/4 HEX HEAD CAP SCREW	4
28	240005002	ROTOR	1
29	240005003	DIODE	2
30	240005004	DIODE MOUNTING NUT	2
31	240005005	BEARING	1
32	240005006	D E BRACKET	1
33	244029002	PLASTIC HOSE	1
34	240005046	TOP PLASTIC COVER	1
35	240005010	CAP. MTG. TRAY SCREW	4
36	240005009	CAP. MTG. TRAY	1
37	240005008	M8 x 20 HEX HEAD CAP SCREW	3
38	240005007	M8 LOCK WASHER	4
39	240005012	CAPACITOR FASTENER	2
40	240005013	CAPACITOR	1
41	240005021	STATOR ASSY.	1
42	240005018	N D E BRACKET	1
43	240005014	END COVER MTG. SCREW	6
44	240005047	END COVER	1
45	240005016	M8 SERPRESS NUT	1
46	240005015	ROTOR DRAW BOLT	1
47	240005017	DRAW BOLT	4
48	240034000	ECONOMIZER CKT. BOARD	1
49	240034011	FUSE HOLDER	1
50	240034005	1.5A FUSE	1
51	240005019	FASTENING STRIP MTG. SCREW	4
52	240005020	FASTENING STRIP	2
53	240017004	M8 x 30 HEX HEAD CAP SCREW	1
55	240010001	GROUND LUG	1
56	244028002	CONTROL BOX	1
57	240017001	10-24 x 5/8 SELF TAPPING SCREW	4
58	240005022	BOTTOM PLASTIC COVER	1
59	240009004	VIBRATION ISOLATOR	1
60	240013200	CIRCUIT BREAKER 20A/250V	2
61	240013001	PALNUT	2
62	240016003	8-32 HEX NUT W/ KEPS	2
63	240007200	DUPLEX RECEPTACLE 20A/125V	1
64	240007301	TWIST LOCK RECEPTACLE 30A/125V	1
65	240008201	TWIST LOCK RECEPTACLE 20A/250V	1
66	246026003	CONTROL PANEL	1
67	240017015	6-32 x 3/4 ROUND HEAD SCREW	4
68	240027031	ON/OFF SWITCH	1
69	240027062	ECONOMIZER SWITCH	1
70	240027202	FULL POWER SWITCH	1
71	240017005	8-32 x 3/4 ROUND HEAD SCREW	2
72	240013002	KNURLNUT	2
73	240013003	NAMEPLATE	2
74	240017001	10-24 x 5/8 SELF TAPPING SCREW	6
75	240016001	5/16-18 HEX NUT W/ KEPS	3
76	240017009	5/16-18 x 1 1/4 HEX HEAD CAP SCREW	2
77	240020021	DOME PLUG	2

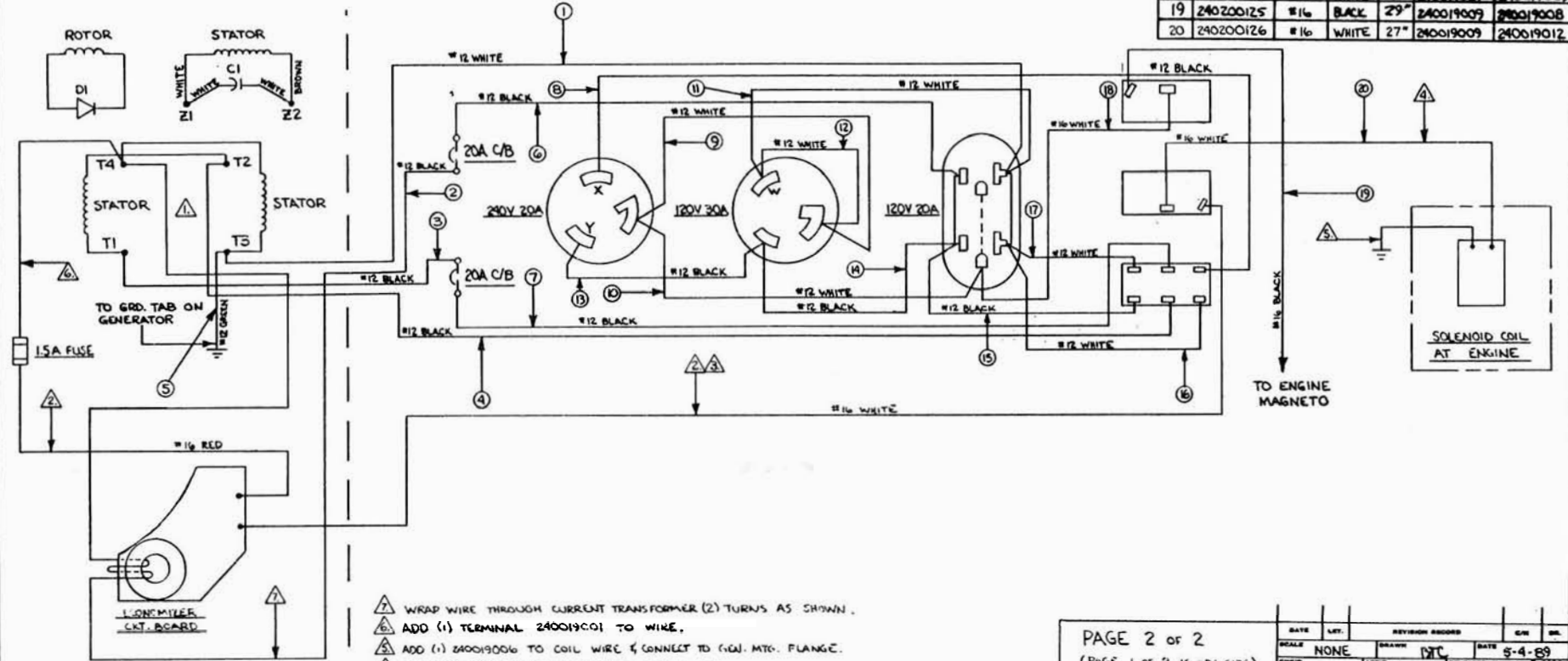


246012402

GENERATOR

CONTROL PANEL (REAR)

LEAD	ITEM	RAW MATL.	WIRE	COLOR	LEN	A END	B END
1	240200123	#12	WHITE	21"	240019001	240019001	
2	240200121	#12	BLACK	39"	240019001	240019002	
3	240200121	#12	BLACK	22"	240019001	240019002	
4	240200121	#12	BLACK	21"	240019001	240019002	
5	240200122	#12	GREEN	5"	240019001	240019002	
6	240200121	#12	BLACK	6"	240019001	240019002	
7	240200121	#12	BLACK	6"	240019002	240019002	
8	240200121	#12	BLACK	10"	240019001	240019002	
9	240200123	#12	WHITE	4"	240019001	240019001	
10	240200123	#12	WHITE	6"	240019001	240019001	
11	240200123	#12	WHITE	6"	240019001	240019001	
12	240200123	#12	WHITE	4"	240019001	240019001	
13	240200121	#12	BLACK	4"	240019001	240019001	
14	240200121	#12	BLACK	4"	240019001	240019001	
15	240200121	#12	BLACK	5"	240019001	240019002	
16	240200123	#12	WHITE	4"	240019001	240019002	
17	240200123	#12	WHITE	4"	240019001	240019002	
18	240200126	#16	WHITE	5"	240019007	240019009	
19	240200125	#16	BLACK	29"	240019009	240019008	
20	240200126	#16	WHITE	27"	240019009	240019012	



- ⚠️ WRAP WIRE THROUGH CURRENT TRANSFORMER (2) TURNS AS SHOWN.
 - ⚠️ ADD (1) TERMINAL 240019001 TO WIRE.
 - ⚠️ ADD (1) 240019006 TO COIL WIRE & CONNECT TO (NEW) MTO. FLANGE.
 - ⚠️ ADD (1) 240019013 TO SOLENOID COIL WIRE.
 - ⚠️ ADD (1) TERMINAL 240019009 TO WIRE.
 - ⚠️ WIRE PROVIDED WITH ECONOMIZER CIRCUIT BOARD.
 - ⚠️ REMOVE TERMINAL LINK FROM TERMINAL BOARD & DISCARD.
- NOTES:

PAGE 2 of 2
(PAGE 1 of 2 IS "D" SIZE)

UNLESS OTHERWISE SPECIFIED:
Ø FINISH - STRAIGHT
Ø FINISH - CONCENTRIC
Ø FINISH - PARALLEL
Ø FINISH - ROUND
Ø FINISH - CENTRAL

MATL.	NOTED
TREAT.	
FINISH.	

DATE	LET.	REVISION	RECORD	CH	BY
5-4-89		JTC			
THE PIERCE COMPANY, INC. A DIVISION OF UPLAND, IND. U.S.A. 46988 PART NO. GP4000BE 246012402					

21