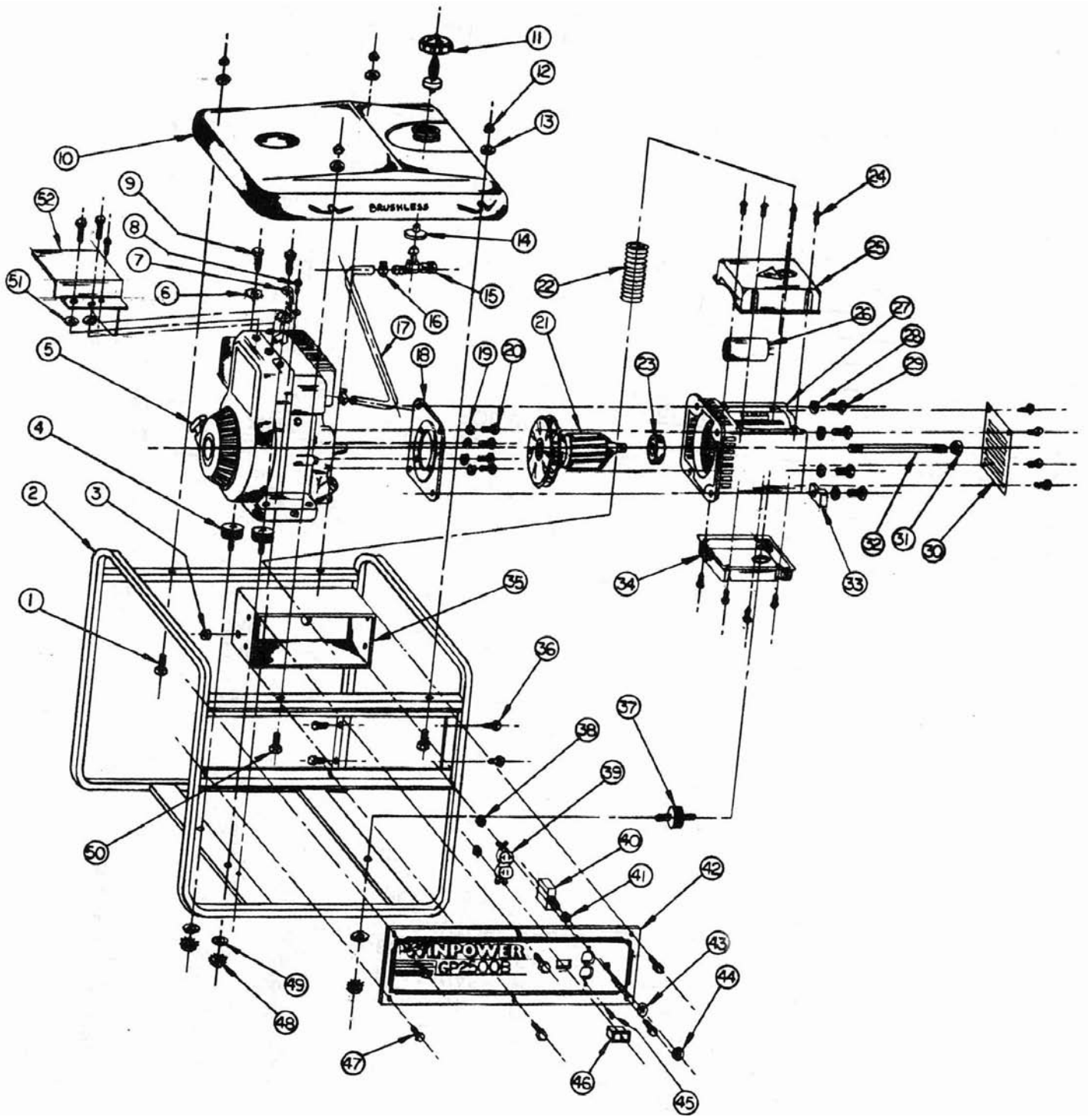


**PARTS LIST FOR GP2500B**

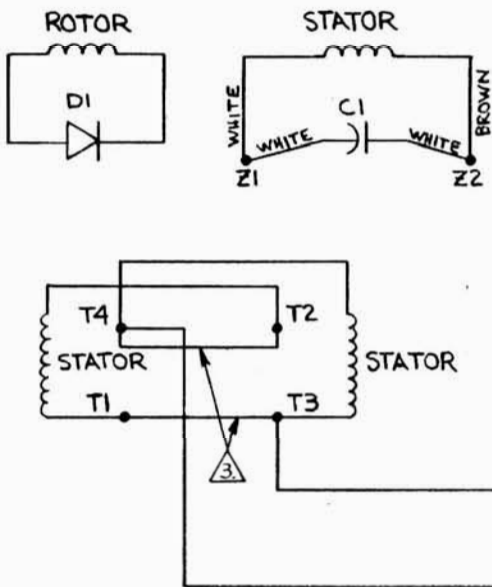
ITEM	PART NO.	DESCRIPTION	QTY. REQD.
1	240017003	5/16-18 x 1 1/2 HEX HEAD CAP SCREW	2
2	244001001	CARRY FRAME	1
3	240020022	GROMMET	1
4	240009001	VIBRATION ISOLATOR	2
5	246002050	BRIGGS & STRATTON 5 HP ENGINE	1
6	240015001	5/16 SHAKEPROOF WASHER	2
7	240011001	GROUND STRAP ASSY.	1
8	240017001	10-24 x 3/8 SELF TAPPING SCREW	1
9	240017003	5/16-18 x 1 1/2 HEX HEAD CAP SCREW	2
10	240022002	3 1/2 GALLON FUEL TANK	1
11	240020003	FUEL CAP W/ GAUGE	1
12	240016004	5/16-18 ACORN NUT	4
13	240015002	5/16 FLAT WASHER	4
14	244020002	FUEL SHUTOFF GROMMET	1
15	244020001	FUEL SHUTOFF VALVE	1
16	240024001	1/4 HOSE CLAMP	2
17	240300250	1/4 FUEL LINE HOSE	1 Ft.
18	240005034	COUPLING FLANGE	1
19	240015004	5/16 LOCK WASHER	4
20	240017002	5/16-24 x 3/4 HEX HEAD CAP SCREW	4
21	240005035	ROTOR	1
22	244029001	PLASTIC HOSE	1
23	240005036	BEARING	1
24	240005037	MOUNTING SCREW	12
25	240005038	TOP PLASTIC COVER	1
26	240005039	CAPACITOR	1
27	240005040	STATOR ASSY.	1
28	240005041	M6 WASHER	4
29	240005042	M6 x 16 HEX HEAD CAP SCREW	4
30	240005043	END COVER	1
31	240005016	M8 SERPRESS NUT	1
32	240005044	ROTOR DRAW BOLT	1
33	240010002	GROUND LUG	1
34	240005045	BOTTOM PLASTIC COVER	1
35	244028001	CONTROL BOX	1
36	240017001	10-24 x 3/8 SELP TAPPING SCREW	4
37	240009002	VIBRATION ISOLATOR	1
38	240016003	8-32 HEX NUT W/ KEPS	2
39	240007200	DUPLEX RECEPTACLE 20A/125V	1
40	240013200	CIRCUIT BREAKER 20A/250V	1
41	240013001	PALNUT	1
42	246026004	CONTROL PANEL	1
43	240013002	NAMEPLATE	1
44	240013003	KNURLNUT	1
45	240017005	8-32 x 3/8 ROUND HEAD SCREW	2
46	240027031	ON/OFF SWITCH	1
47	240017001	10-24 x 3/8 SELF TAPPING SCREW	6
48	240016001	5/16-18 HEX NUT W/ KEPS	3
49	240015008	3/8 FLAT WASHER	3
50	240017009	5/16-18 x 1 1/8 HEX HEAD CAP SCREW	2
51	240015002	5/16 FLAT WASHER	2
52	240033003	HEAT SHIELD	1



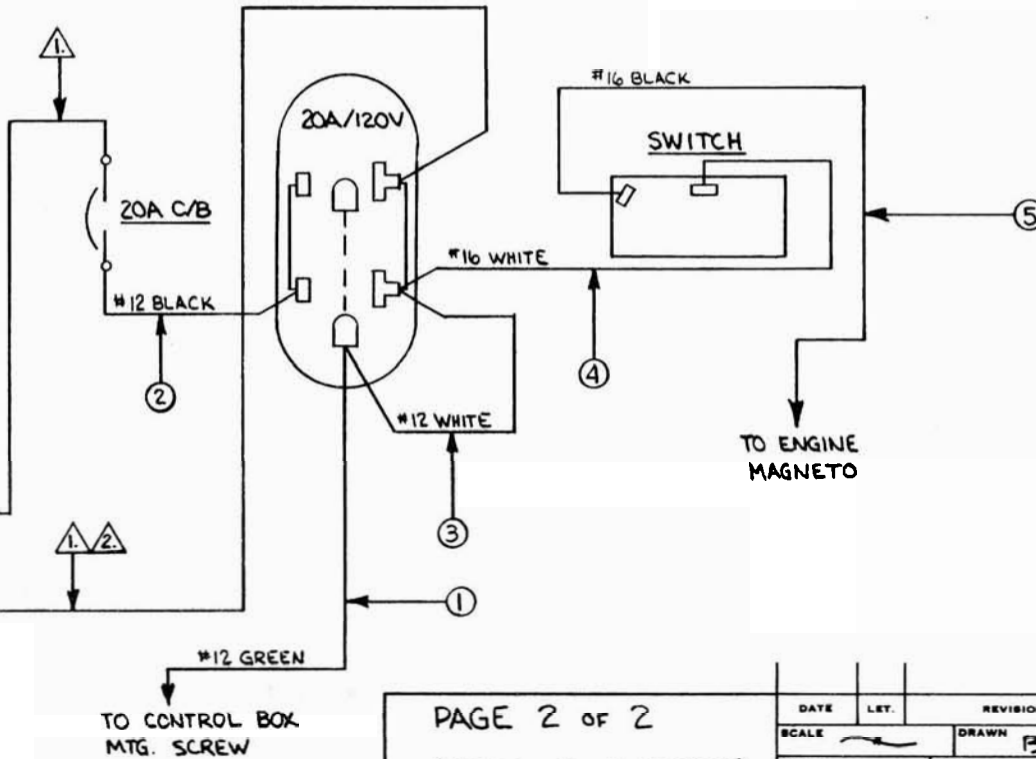
246012250

ON AMM

GENERATOR



CONTROL PANEL (REAR)



LEAD	WIRE				TERMINALS	
	ITEM	RAW MATL.	SIZE	COLOR	LENGTH	A END
1	240200122	#12	GREEN	8"	240019001	240019003
2	240200121	#12	BLACK	4"	240019001	240019002
3	240200123	#12	WHITE	4"	240019001	240019001
4	240200126	#16	WHITE	4"	240019007	240019009
5	240200125	#16	BLACK	18"	240019008	240019009

13

- ⚠ JUMPER STRAP SHOWN INSTALLED, AS SUPPLIED WHEN RECEIVED.
  - ⚠ STD. TERMINAL TO BE REPLACED W/(1) 240019007.
- WIRE IS SUPPLIED WITH GENERATOR.

NOTES:

TOLERANCES UNLESS OTHERWISE SPECIFIED:  
 ON MACHINED DIMENSIONS OF .000 ALLOW ± .003  
 .00 ALLOW ± .010  
 ON ANGLES ALLOW ± 1°  
 DRILLED HOLES + .008, - .000

RUNOUT	- STRAIGHT
FLATNESS	● CONCENTRIC
ANGULARITY	▬ PARALLEL
SQUARE	○ ROUND
TRUE POSITION	⊕ CENTRAL

PAGE 2 OF 2  
(PAGE 1 OF 2 IS "D" SIZE)

MAT'L	NOTED
TREAT	
FINISH	

DATE	LET.	REVISION RECORD		C/N	DR.
4-28-89		SCALE	DRAWN BJC		
		CHK'D	APP'D JEC	RELEASED 5-1-89	CODE
				ON E.C.N. 6639	M B
THE PIERCE COMPANY, INC. A SUBSIDIARY OF AVIS INDUSTRIAL CORPORATION UPLAND, IND. U.S.A. 46989				NEXT ASSY REF. GP2500B	
NAME PANEL ASSY GP2500B				NEXT PART REF.	
				PATTERN	
				PART NO. 246012250	
				REV -	