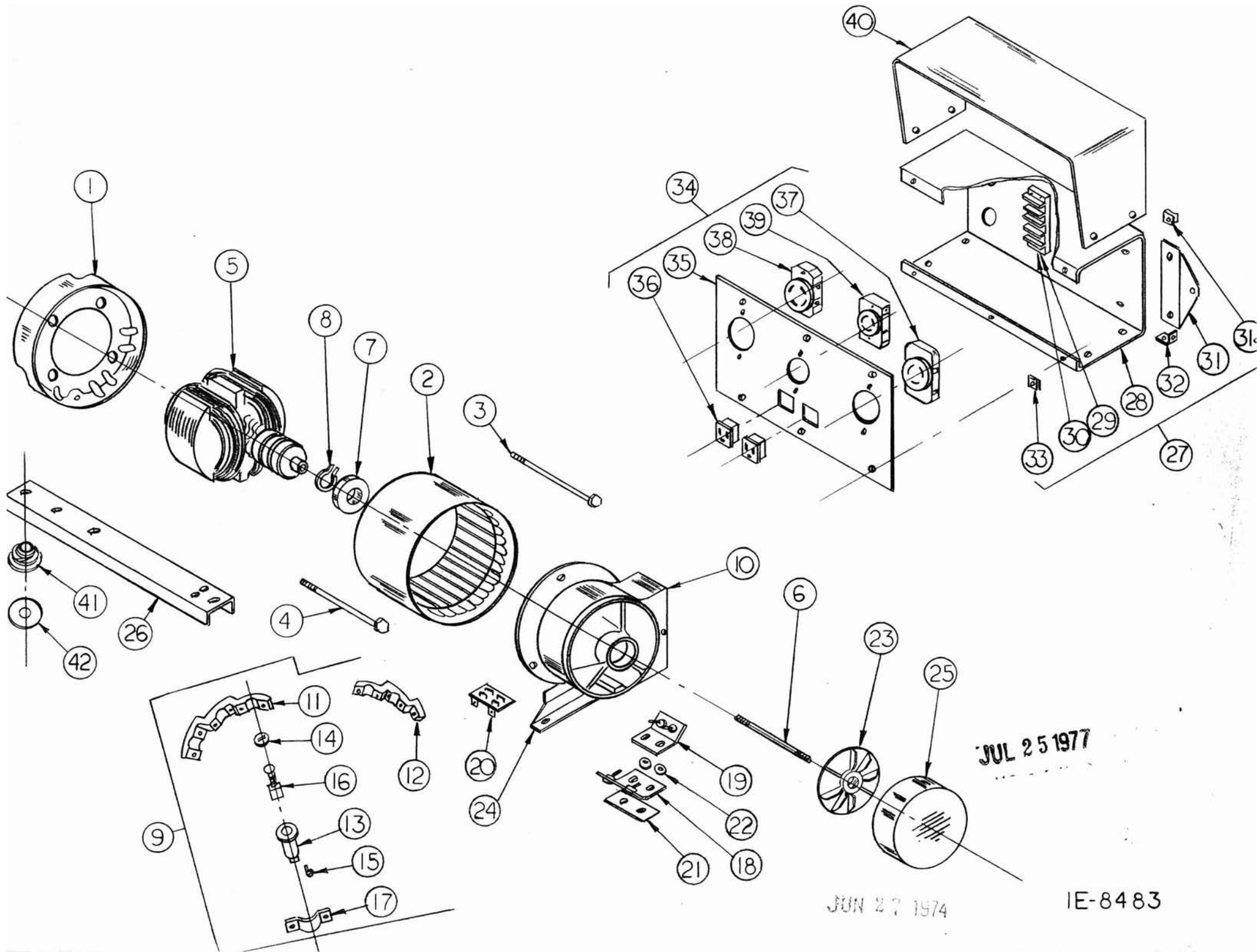


PARTS LIST

PL-01003

GM6W2-A
GE6W2-A

| <u>FIND NO.</u> | <u>PART NO.</u> | <u>DESCRIPTION</u> | <u>REQ'D/UNIT</u> |
|-----------------|-----------------|-------------------------------|-------------------|
| (Not Shown) | EC-12301 | Engine Wisc. S-12D (Manual) | 1 |
| (Not Shown) | EC-12305 | Engine Wisc. S-12D (Electric) | 1 |
| 1 | A-722-2 | Drive End Bell | 1 |
| 2 | G-5284 | Stator Frame Assy. | 1 |
| 3 | 4074-5 | Screw 1/4-20 X 10-1/2 | 1 |
| 4 | 4074-3 | Screw 1/4-20 X 8-1/2 | 3 |
| 5 | G-5254 | Rotor Assy. | 1 |
| 6 | S-1422 | Stud | 1 |
| 7 | D-59 | Bearing | 1 |
| 8 | 11099 | Retaining Ring | 1 |
| 9 | G-4799 | Bearing End Bell Assy. | 1 |
| 10 | A-726-2 | End Bell | 1 |
| 11 | A-746 | Brush Holder Bracket | 1 |
| 12 | A-745 | Brush Holder Bracket | 1 |
| 13 | B-701 | Brush Holder | 5 |
| 14 | B-701-1 | Brush Holder Cap | 5 |
| 15 | B-701-2 | Brush Holder Clip | 5 |
| 16 | Y-114 | Brush | 5 |
| 17 | S-6096 | Clamp - Brushholder | 5 |
| 18 | G-5298-1 | Rectifier Assy. (Neg.) | 1 |
| 19 | G-5297-1 | Rectifier Assy. (Pos.) | 1 |
| 20 | G-5299 | Rectifier Assy. (Shunt) | 1 |
| 21 | J-545 | Board - Insulating | 1 |
| 22 | J-546 | Bushing - Insulating | 4 |
| 23 | A-727 | Fan | 1 |
| 24 | S-6709 | Generator Support | 1 |
| 25 | V-1059 | End Hood | 1 |
| 26 | S-6708 | Skid Channel | 2 |
| 27 | G-4800 | Panel Back Assy. | 1 |
| 28 | S-6324 | Panel Back | 1 |
| 29 | EE-652 | Terminal Board | 1 |
| 30 | EE-652-1 | Insulator Strip | 1 |
| 31 | S-6224 | Mounting Bracket | 1 |
| 31a | 4957 | Tinnerman | 2 |
| 32 | 4955 | Tinnerman (Angle type) | 4 |
| 33 | 4992 | Tinnerman | 6 |
| 34 | G-5732 | Panel Front Assy. | 1 |
| 35 | S-6852-1 | Front Panel | 1 |
| 36 | EE-1324 | Receptacle - Snap-In | 2 |
| 37 | EE-1320 | Receptacle | 1 |
| 38 | EE-1323 | Receptacle | 1 |
| 39 | EE-369 | Receptacle | 1 |
| 40 | S-6325-1 | Panel Cover | 1 |
| 41 | S-6187 | Spring | 4 |
| 42 | S-6526 | Spring Retainer | 4 |
| | Wiring Diagram | Z-2087, E-8017 | |
| | Parts Drawing | E-8483 | |

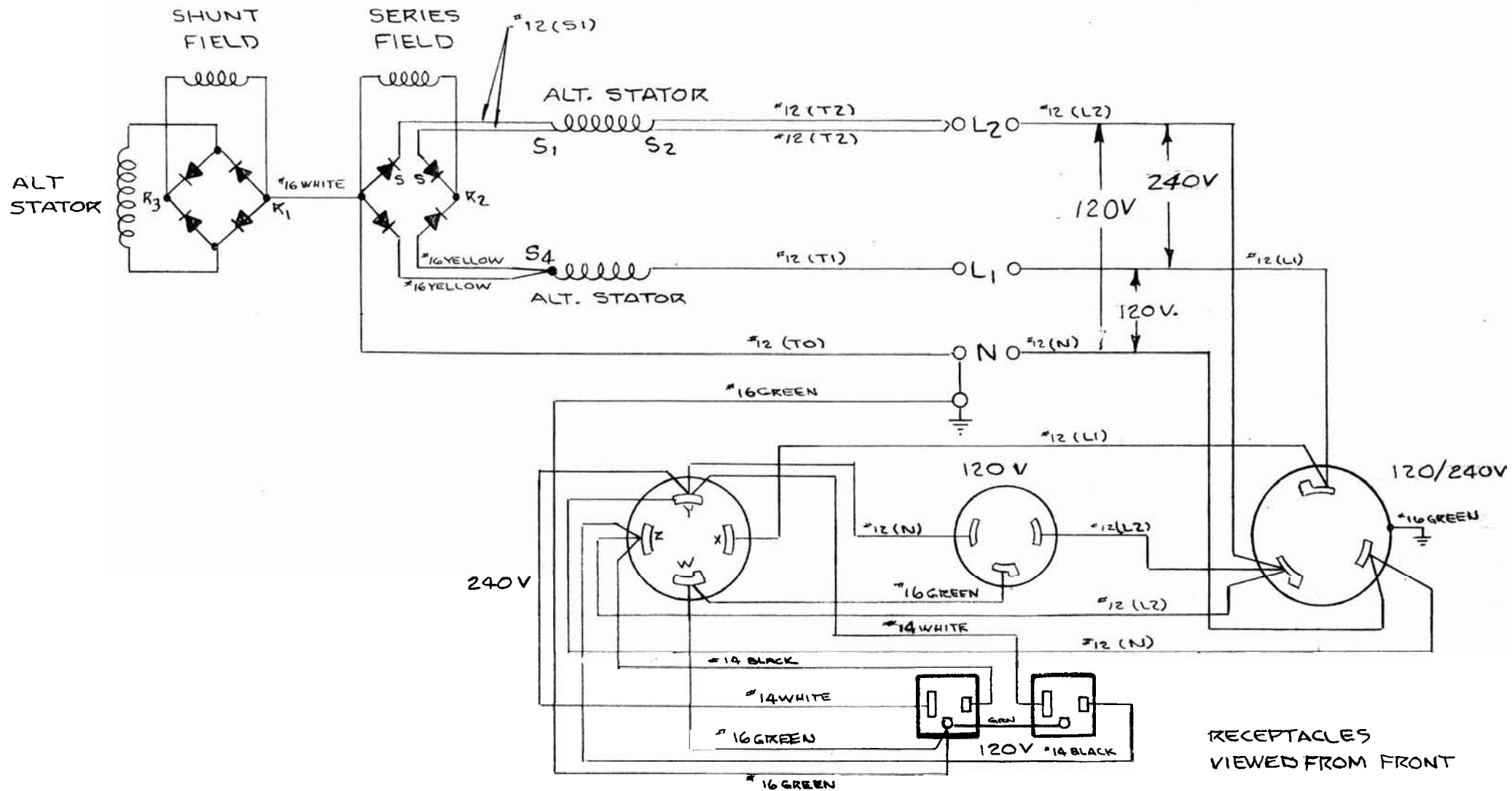


JUL 25 1977

JUN 27 1974

IE-8483

USAGE GE6W2-A
GM6W2-A



2-2087

WIRING DIAGRAM

| CHANGE | WAS ORIGINALLY | DATE | CHK'D | CHG. REQUEST | NO. REQ'D. | MICROFILM DATA |
|---|--------------------|---------|-------|--------------|---|----------------|
| B | REMOVED THYRECTOR | 5-9-71 | JFP | | | |
| A | REVISED COLOR CODE | 7-23-70 | JFP | | | |
| TOLERANCE ON DIMENSIONS NOT OTHERWISE SPECIFIED | | | | DECIMAL ± | REMOVE ALL BURRS BREAK ALL SHARP MACHINED EDGES | MATERIAL _____ |
| | | | | FRACTIONAL ± | | |
| | | | | ANGULAR ± | | |

| | |
|-------------|------------------|
| SCALE | MODEL NO. |
| DATE 9-3-69 | PART NO. IE-8017 |
| DWN JFP | CHK'D |

WINPOWER MFG. CO.
NEWTON, IOWA