

PARTS LIST

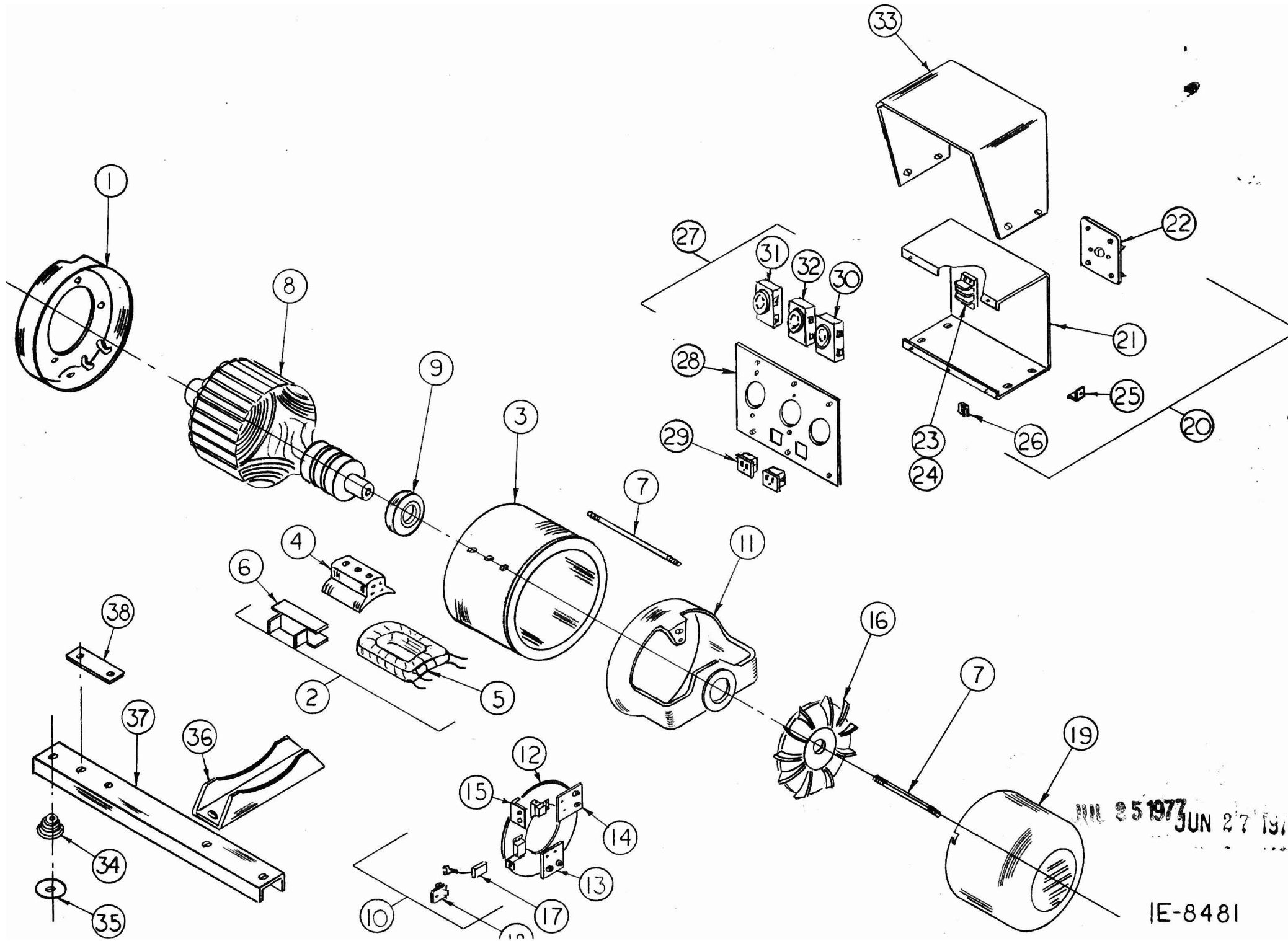
PL-01005

GM308W4-A

GE308W4-A

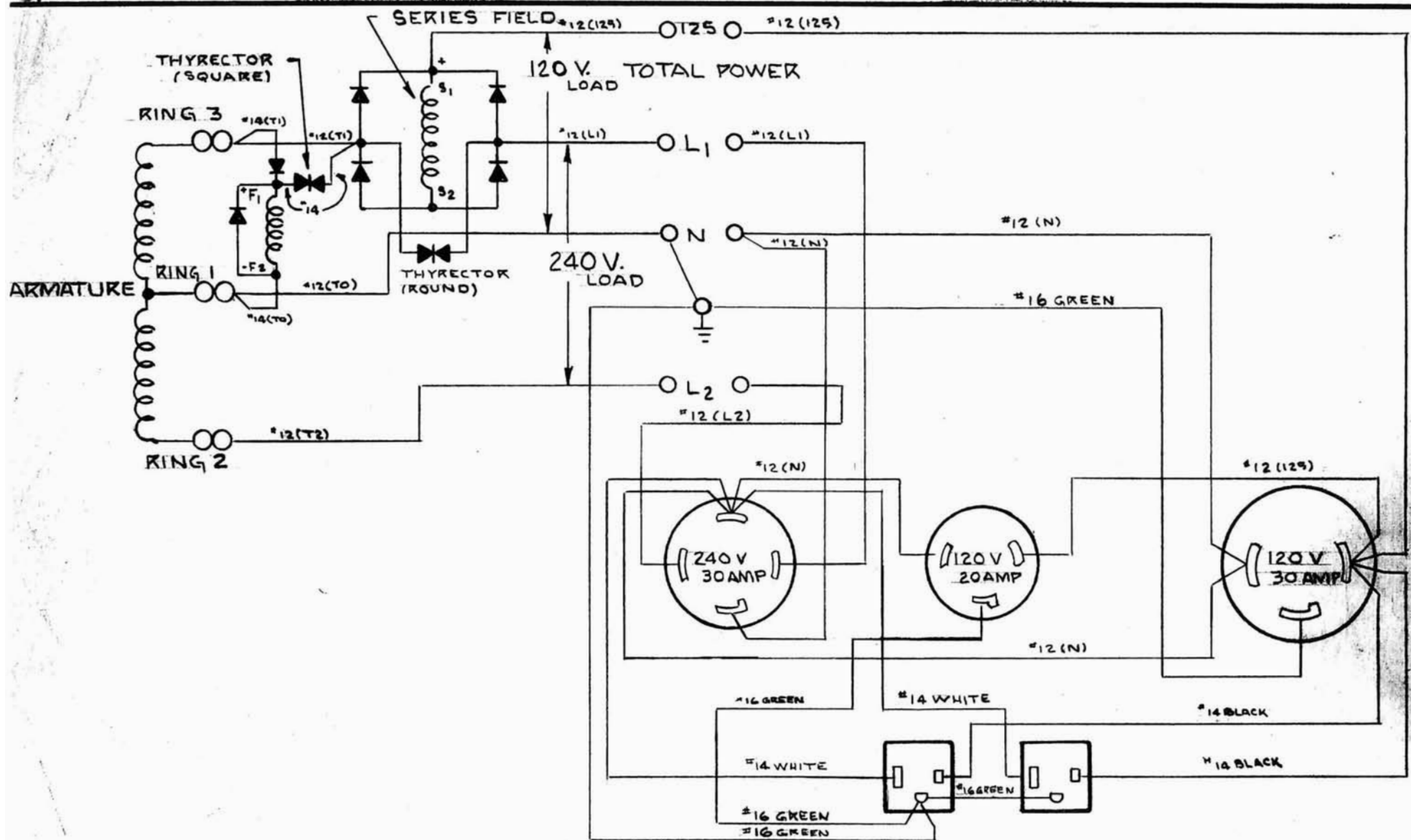
<u>FIND NO.</u>	<u>PART NO.</u>	<u>DESCRIPTION</u>	<u>REQ'D/UNIT</u>
(Not Shown)	EC-12301	Engine Wisc. S12-D (Manual)	1
(Not Shown)	EC-12305	Engine Wisc. S12-D (Electric)	1
1	I-776-1	Drive End Bell	1
2	G-5243-1	Field Frame Assembly	1
3	S-6064-1	Field Frame	1
4	G-5241-1	Field Pole Assembly	4
5	H-985	Field Coils	Set of 4
6	J-530	Coil Shield	8
7	S-6065	Stud	3
8	G-5137-2	Armature Assembly	1
9	D-8	Bearing	1
10	G-5242-1	End Bell Assembly	1
11	I-773-3	End Casting	1
12	G-5240	Brush Gear Assembly	1
13	G-5340	Rectifier Assembly (Pos.)	1
14	G-5341	Rectifier Assembly (Neg.)	1
15	G-5342	Rectifier Assembly (Shunt)	1
16	A-606-1	Fan	1
17	Y-51	Brush	3
18	G-3422	Brush Spring	3
19	S-6151-1	End Hood	1
20	G-4800-38	Panel Back Assembly	1
21	S-6425	Panel Back	1
22	I-547	Mounting Plate	1
23	EE-652	Terminal Board	1
24	EE-652-1	Insulator Strip	1
25	4955	Tinnerman - Angle Type	4
26	4992	Tinnerman	6
27	G-5730	Panel Front Assembly	1
28	S-6851-2	Front Panel	1
29	EE-1324	Receptacle - Snap-In	2
30	EE-363	Receptacle - 3 wire, 30 AMP	1
31	EE-1323	Receptacle - 4 wire, 30 AMP	1
32	EE-369	Receptacle - 3 wire, 20 AMP	1
33	S-6325-1	Panel Cover	1
34	S-6187	Spring	4
35	S-6526	Spring Retainer	4
36	S-6700	Generator Support	1
37	S-6707	Skid Channel	2
38	S-6701-2	Shim	2

WIRING DIAGRAM Z-2084, E-8015  
PARTS DRAWING E-8481



MIL 25 1973 JUN 27 1973

IE-8481



USAGE GE 308W4-A  
GM 308W4-A

120 V.  
15 AMP

RECEPTACLES AS VIEWED  
FROM PANEL FRONT.  
Z-2084

REVISIONS				MATERIAL				WIRING DIAGRAM	
A	REVISED CIRCUIT BOARD	7-28-70	JFP					SCALE	MODEL NO.
CHANGE	WAS ORIGINALLY	DATE	CHK'D	CHG. REQUEST	NO. REQ'D.	MICROFILM DATA	JUL 1 1970	DATE	PART NO.
TOLERANCE ON DIMENSIONS NOT OTHERWISE SPECIFIED				DECIMAL ±	REMOVE ALL BURRS			DWN	CHK'D
				FRACTIONAL ±	BREAK ALL SHARP MACHINED EDGES			J.F.P.	
				ANGULAR ±					
								WINPOWER MFG. CO. NEWTON, IOWA	