

WINPOWER CORPORATION

GASOLINE ELECTRIC PLANT

2500 WATTS* A.C. 1800 R.P.M.

PARTS LIST RELEASE 4-14-77

REF. NO.	PART DESCRIPTION	MODEL GM205B4-B		MODEL GM205W4-B	
		TYPE	1	TYPE	1
		PART NO.	REQ'D UNIT	PART NO.	REQ'D UNIT
1	Drive End Bell	I-776	1		
2	Field Frame Assy.	G-5136-8	1		
3	Field Frame	S-3921-1	1		
4	Field Pole	G-5139	4		
5	Field Coil	H-978	4		
6	Coil Shield	J-65	8		
7	Stud 5/16 - 24 x 10	S-8610-49	3		
8	Armature Assy.	G-5137	1		
9	Bearing	D-8	1		
10	End Bell Assy W/Brush Gear	G-6281	1		
11	End Bell	I-773-5	1		
12	Brush Ring Assy	G-6280	1		
13	Rectifier Assy.	EE-2214	2		
14	Fan	A-606-1	1		
15	Brush	Y-51	2		
16	Brush Spring	G-3422	2		
17	End Hood	S-7585	1		
18	Panel Back	G-6144-1	1		
19	Ground Lug	EE-1673	1		
20	Insert	4999	4		
21	Panel Front Assembly	G-6279	1		
22	Panel Front	S-7514-1	1		
23	Receptacle - Duplex (5-15R)	EE-323	1		
24	Receptacle (L5-30R)	EE-1372	1		
25	Generator Support	S-7213	1	S-7516	1
26	Skid Channel	S-7510	2	S-7517	2
27	Vibration Isolator	W-208	4		
28	Base Plate	S-7281	1		
Not Shown	Engine (Briggs & Stratton)	EC-11408	1	-----	---
Not Shown	Engine (Wisconsin)	-----	---	EC-12102	1

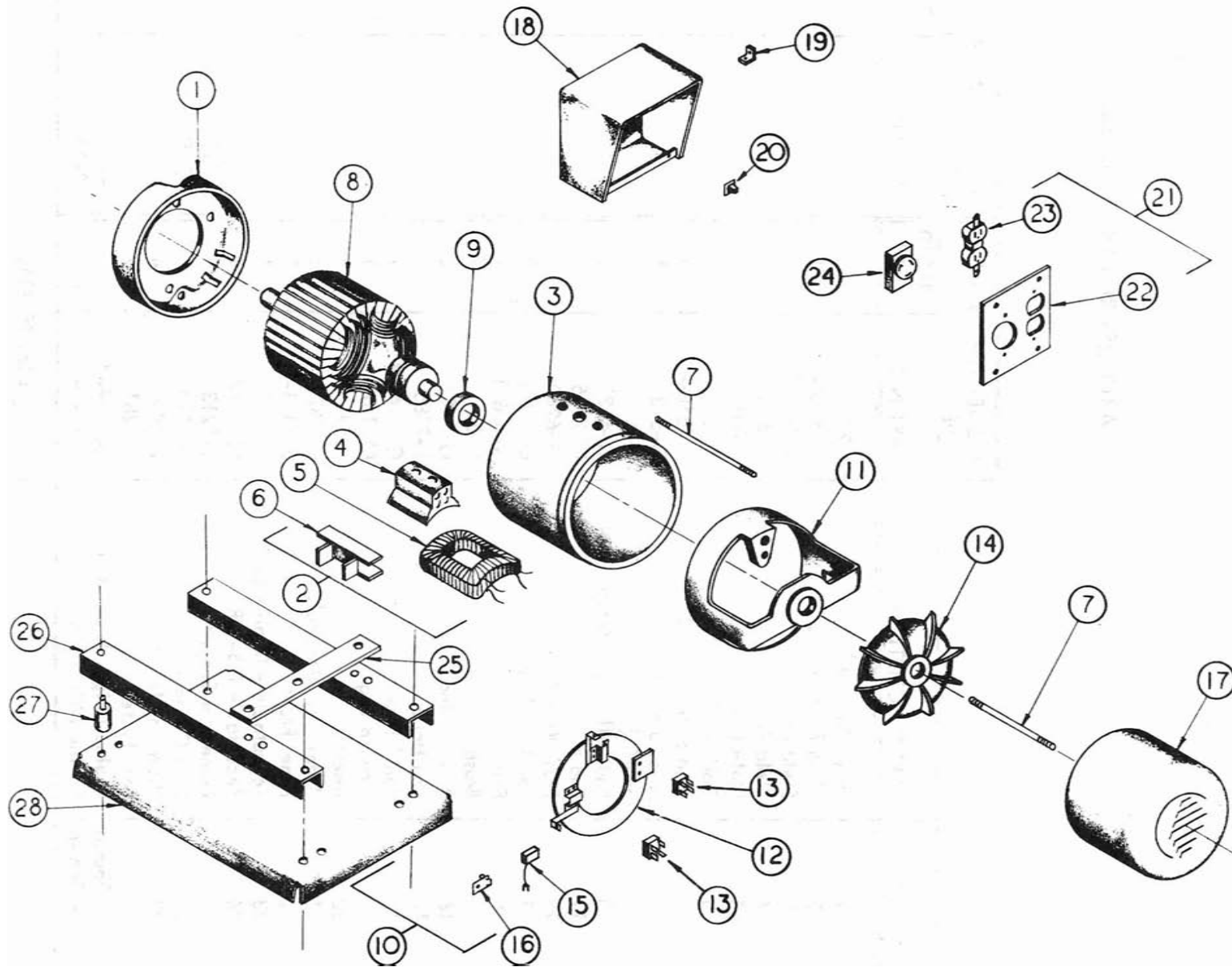
PARTS DRAWING IE-9417

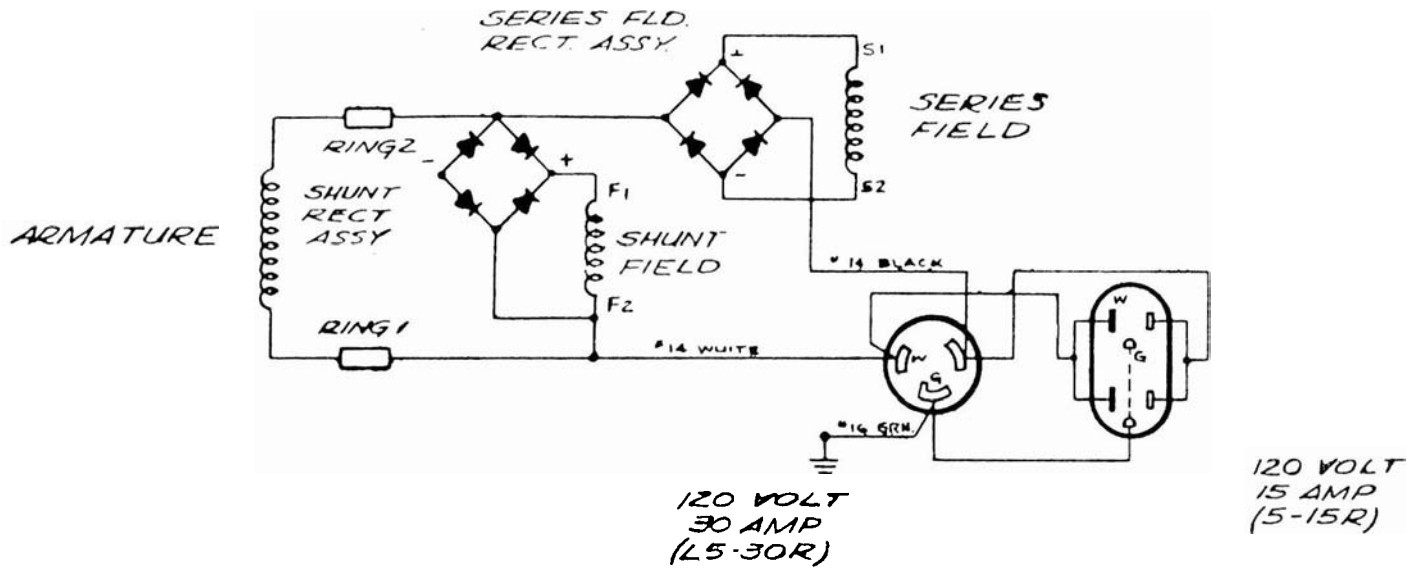
Wiring Dia. IE-9366
Last Revision Let. None

NOTE: Part numbers and quantity are the same in all columns, except as noted.

PL-1893

E-9417





RECEPTACLES AS VIEWED FROM FRONT

CIRCUIT DIAGRAM					
CHANGE	WAS ORIGINALLY	DATE	CHK'D	CHG. REQUEST	
TOLERANCE ON DIMENSIONS NOT OTHERWISE SPECIFIED		DECIMAL ±	FRACTIONAL ±	ANGULAR ±	REMOVE ALL BURRS BREAK ALL SHARP MACHINED EDGES
		NO. REQ'D.		MICROFILM DATA	
		MATERIAL			
				SCALE ~	MODEL NO. 2.5 KW
				DATE 5-30-73	PART NO. Z-2376
				DWN T.C.G.	CHK'D
WINPOWER MFG. CO. NEWTON, IOWA					

E-9366