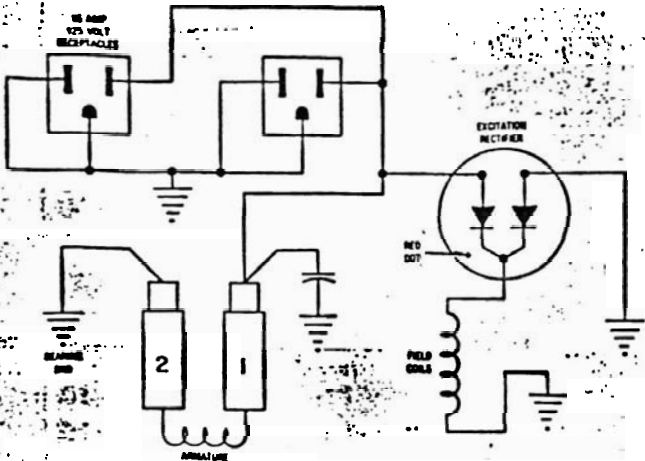


MODEL PM2500



PART NO.	REF. NO.	DESCRIPTION	QTY.	PART NO.
638	440	Field Shell & Coil Ass'y.	1	55312
479	441A	Field Coil	1	53615
480	441B	Field Coil	1	53615-1
55576	442	Pole Shoe	2	53612
1743	443	Pole Shoe Retainer	2	53613
55224	444	Field Shell & Bracket	1	53614
23558	445	Stud	3	23817
23605	447	Brush Assembly AC	4	23607
458				
9416	460	Brush Rack Assembly	1	55092
40746	462	Brush Holder	4	59690
	465	Mounting Plate	1	55091
	466	Capacitor	1	54977
		BARRIER SPACER	1	52688
		RECTIFIER	1	54276
		END COVER	1	56312-2
		CRADLE	1	54770
		CHANNEL	1	54771
		CHANNEL	1	54772
		FORMED PIPE	1	58335
		RUBBER FEET	3	20191
100		Type Drive/Engine	1	
		B & S 130232 0301-01		
		CONTROL BOX	1	62745
		BACK PANEL	1	62743
		FRONT PANEL	1	62742
		RECEPTACLE DUPLEX	2	24749
400		Generator	1	55311-3
401		Fan Assembly	1	54967
402		Thru Bolt	1	23197-3
		BASE SADDLE	1	56318
411		End Bracket	1	43887
430		Armature Assembly	1	55273
431		Armature	1	55273-1
432		Bearing	1	55223

PARTS ORDERING INFORMATION REQUIRED

To fill your order for service parts, please advise the complete Generator model number and serial number, part number(s), and part description. If in doubt, consult the factory prior to placing the order. Send all parts orders to WINCO, Division of Dyna Technology, Inc., 225 South Cordova Ave., Le Center, MN 56057.

