

MODEL# PE9000/A

PART # 63280

QTY	P/N	DESCRIPTION	QTY	P/N	DESCRIPTION
1	63282-1	ARM & WDG			
	63282	ARM & BRG			
1	50215	BEARING			
1	44836	SLIP RING(3 RING)			
1	24880-1	COMM			
1	23197-017	STUD			
1	63293	CONTROL BOX ASSY			
1	24061	SOLENOID			
1	54023-1	DIODE(AVALANCE TYPE)			
1	54545	RECP NEMA 5-50R			
2	54599	RESISTER 100W 25 OHM			
1	56148	CONNECTOR 2 POL 50-A 125 V			
2	50766	RECEPT NEMA 5-20R			
1	57030	CIR BRK 50A-2PL-240V			
1	56325	RECEPT 6-50R			
1	62393	ROCKER SWITCH			
1	63286	COVER			
1	63288	SADDLE ASSY			
4	91598-1	CIR BRK 20A 1PL			
1	63401	EXHAUSE PIPE ASSY			
1	63127	MUFFLER			
1	61122	BATTERY CLIP			
1	62298	ENG TECUM:			
1	62319	EXHAUST GASKI 62499. BATTERY CLABLE ASSY			
1	62499	BATTERY CABLE ASSY			
2	47683	DC BRUSH			
1	54729	HEAT SINK			
1	55007	WELDED END COVER			
1	55493	END BRACKET			
9	55536	BRUSH ASSEMBLY			
1	61030-1	FIELD SHELL & COIL ASSY			
1	55359	F.C.			
1	55359-1	F.C.			

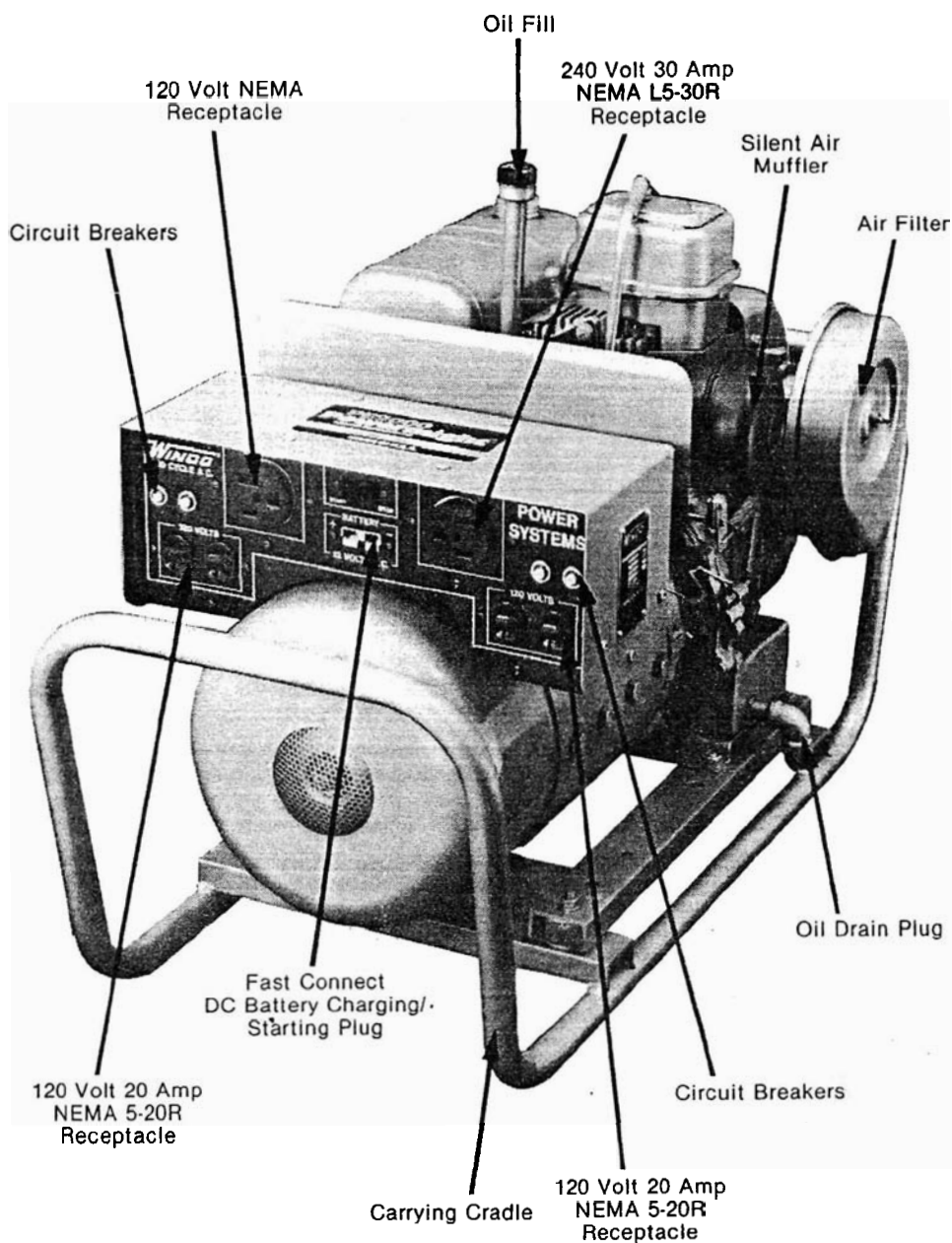
-over-

9/17/81

MODEL# PE9000/APART # 63280Wiring Diagram 63290

QTY	P/N.	DESCRIPTION
1	59329	FLD RING & BRKT ASSY
1	41387-6	GROUND STRIP
1	41387-7	GROUND STRIP
1	23404	FAN
1	40552	F L WASHER
1	51817-1	CRADLE
4	23623	SHOCK MOUNT
1	23752	CROSS CHANNEL
1	41172	DC CAP
1	41221	AC CAP
1	41171	CAP 400 VDC
6	59690	BRUSH HOLDER
2	40895	DC BRUSH HOLDER
1	47584	RIVETED BRUSH RACK
1	59847	RIVETED BRUSH RACK
1	40895	BRUSH HOLDER

Model PE9000 Powermght Generator

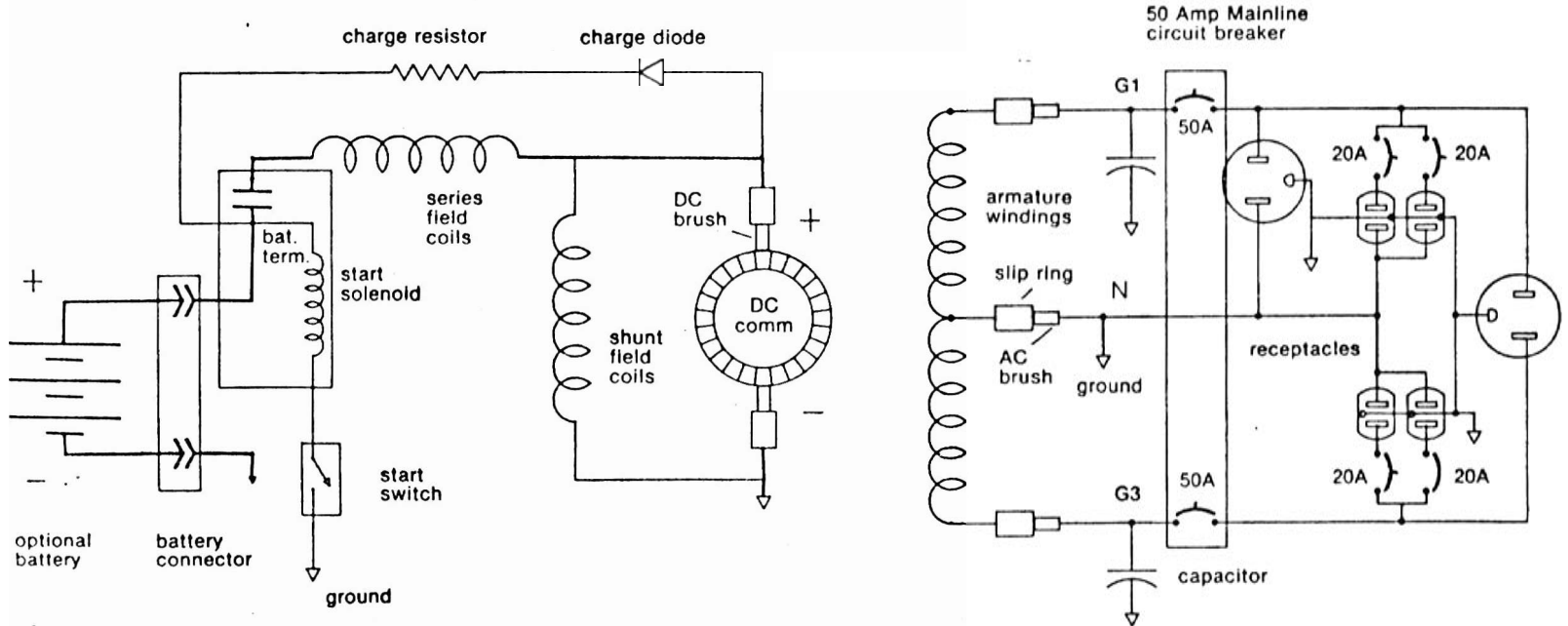


battery and charge circuit

excitation circuit

power circuit

output



SCHEMATIC WIRING DIAGRAM

63290