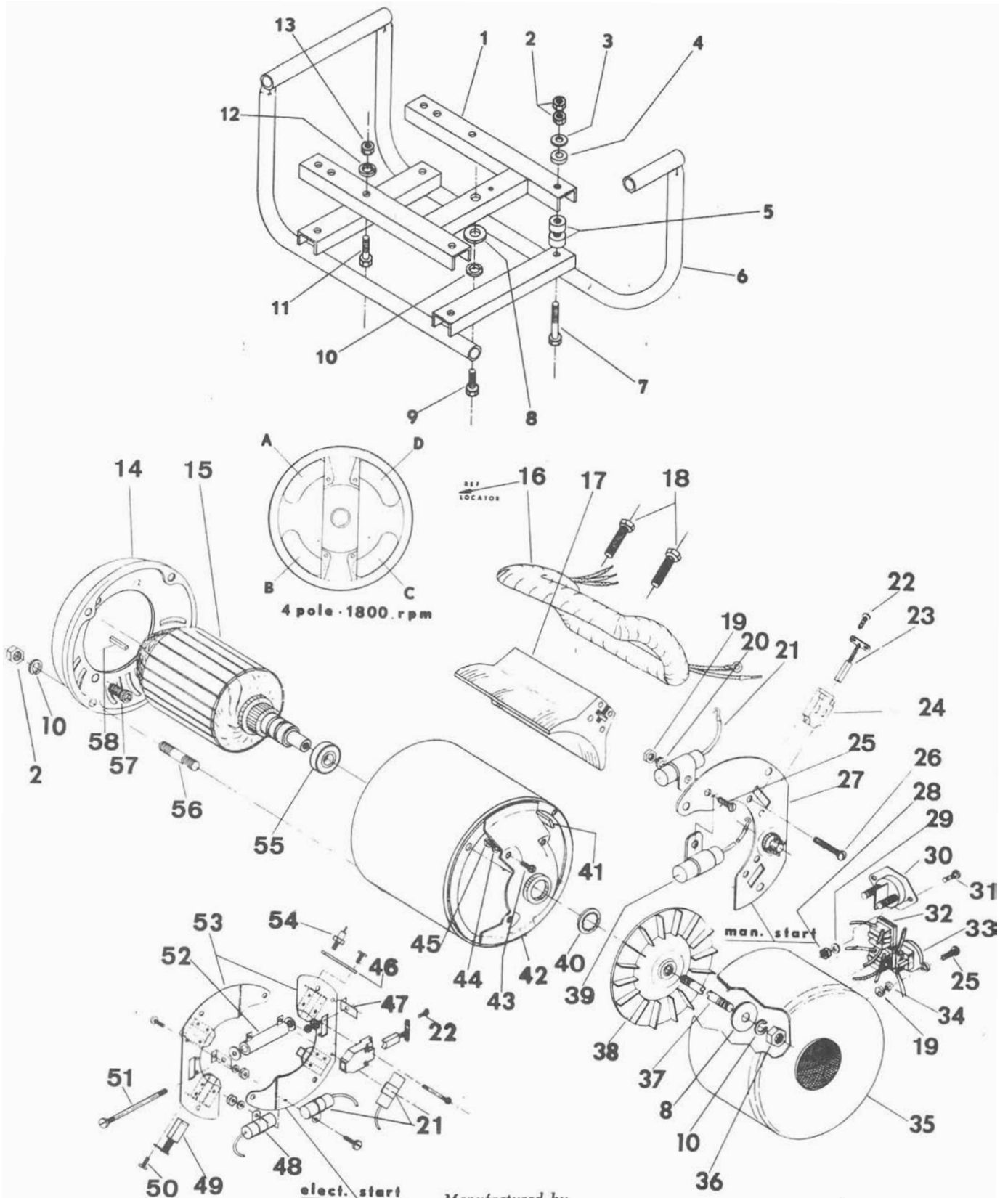


WINCO GENERATOR PLANT

P4BS-3E/B

#57902

Models P4WS-3M/A and P4WS-3E/A

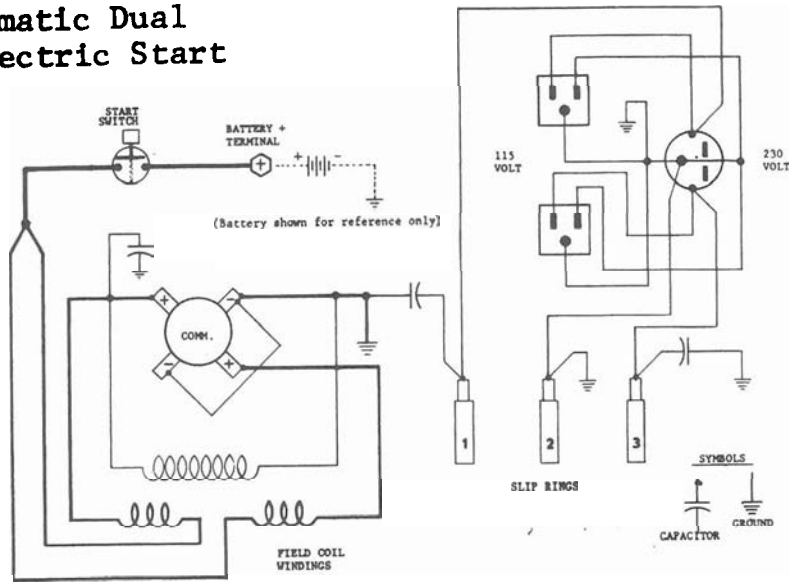


Manufactured by
WINCO

Division of Dyna Technology, Inc.

225 So. Cordova LE CENTER, MN. 56057 Phone 1 (612) 357-6821

Schematic Dual Voltage Electric Start



PARTS LIST

Item	Part No.	M* Qty.	E* Qty.	Description	Item	Part No.	M* Qty.	E* Qty.	Description
1	55471	1	1	Sub frame assy	25	6402	3	4	Machine screw
2	458	12	14	Hex Nuts	26	40550	4	4	Machine screw
3	23760	4	4	Steel washer	27	55496	1	—	Rectifier & plate assy
4	47509	4	4	Rubber washer	28	638	—	2	Hex nut
5	20191	8	8	Shock mount	29	479	—	6	Lockwasher
6	51817-1	1	1	Cradle assy	30	2210	—	1	Start switch
7	51101	4	4	Hex hd bolt	31	3884	—	2	Machine scr
8	23558	2	2	Flat washer	32	53636	2	2	Receptacle
9	1116	1	1	Hex hd bolt	33	55253	1	1	Receptacle
10	480	6	8	Lockwasher	34	21976	2	2	Lockwasher
11	399	4	4	Hex hd bolt	35	55251	1	—	End cover
12	481	4	4	Lockwasher		55386	—	1	End cover
13	459	4	4	Hex nut	36	23605	1	1	Hex nut
14	52528	1	1	End bracket	37	55146	1	1	Thru bolt
15	55145-1	1	—	Armature	38	55101	1	1	Fan
	55364-1	—	1	Armature	39	54977	1	—	AC capacitor
16a	55261-3	1	—	Field coil	40	55224	1	1	Lockwasher
	55383	—	1	Field coil	41	23552	4	4	Pole shoe retainer
16b	55261-2	1	—	Field coil	42	55144	1	1	Field shell & bracket
	55383-1	—	1	Field coil	43	420	3	4	Machine screw
16c	55261-1	1	—	Field coil	44	22423	4	5	Lockwasher
	55383-2	—	1	Field coil	45	456	4	5	Hex nut
16d	55261	1	—	Field coil	46	53996	—	1	Heat sink
	55383-3	—	1	Field coil	47	55178	—	2	Bracket
17	23550	4	4	Pole shoe	48	41180	—	1	DC capacitor
18	1743	8	8	Hex hd cap screw	49	41393	—	4	DC brush
19	5113	6	14	Hex hd nut	50	4637	—	7	Machine screw
20	6376	5	6	Lockwasher	51	25394	—	1	Machine screw
21	41221	1	2	AC capacitor	52	41984	—	1	Resistor
22	40746	12	12	Machine screw	53	55376	—	2	Riveted bru rack assy
23	23607	6	6	AC brush	54	54023-1	—	1	Rectifier
24	23500	6	6	AC brush holder					

