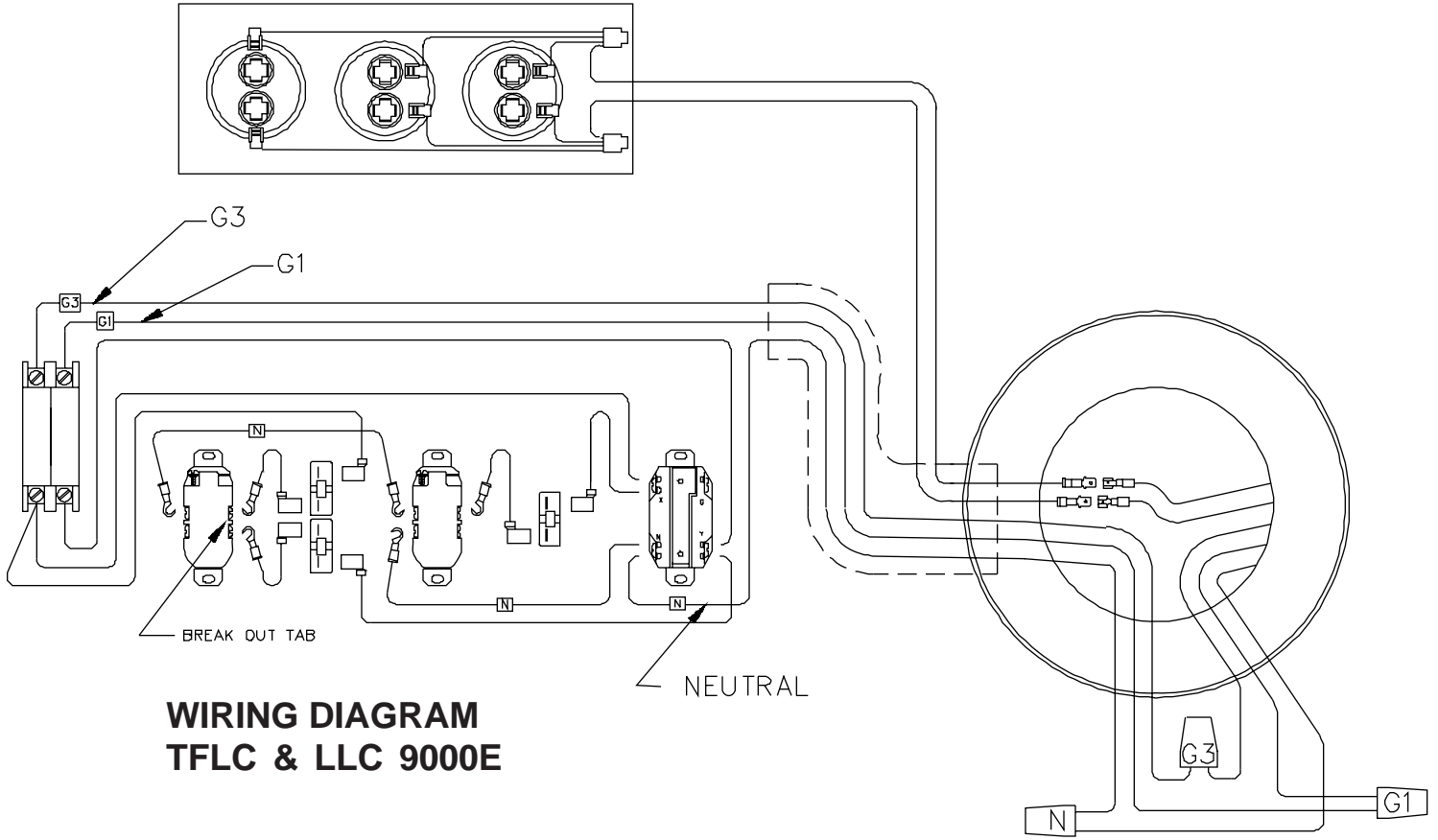
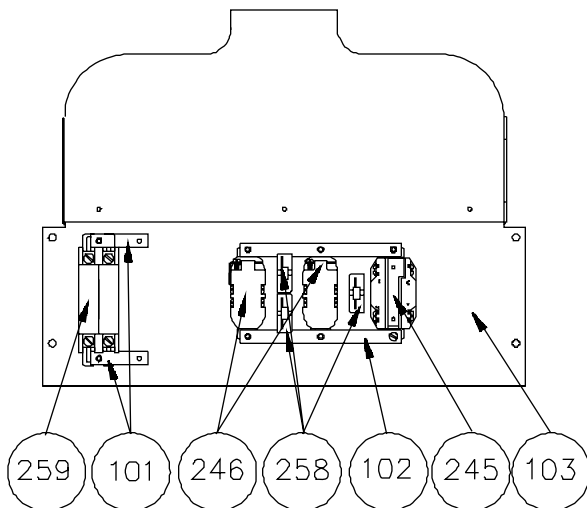


PARTS LISTS AND WIRING DIAGRAMS



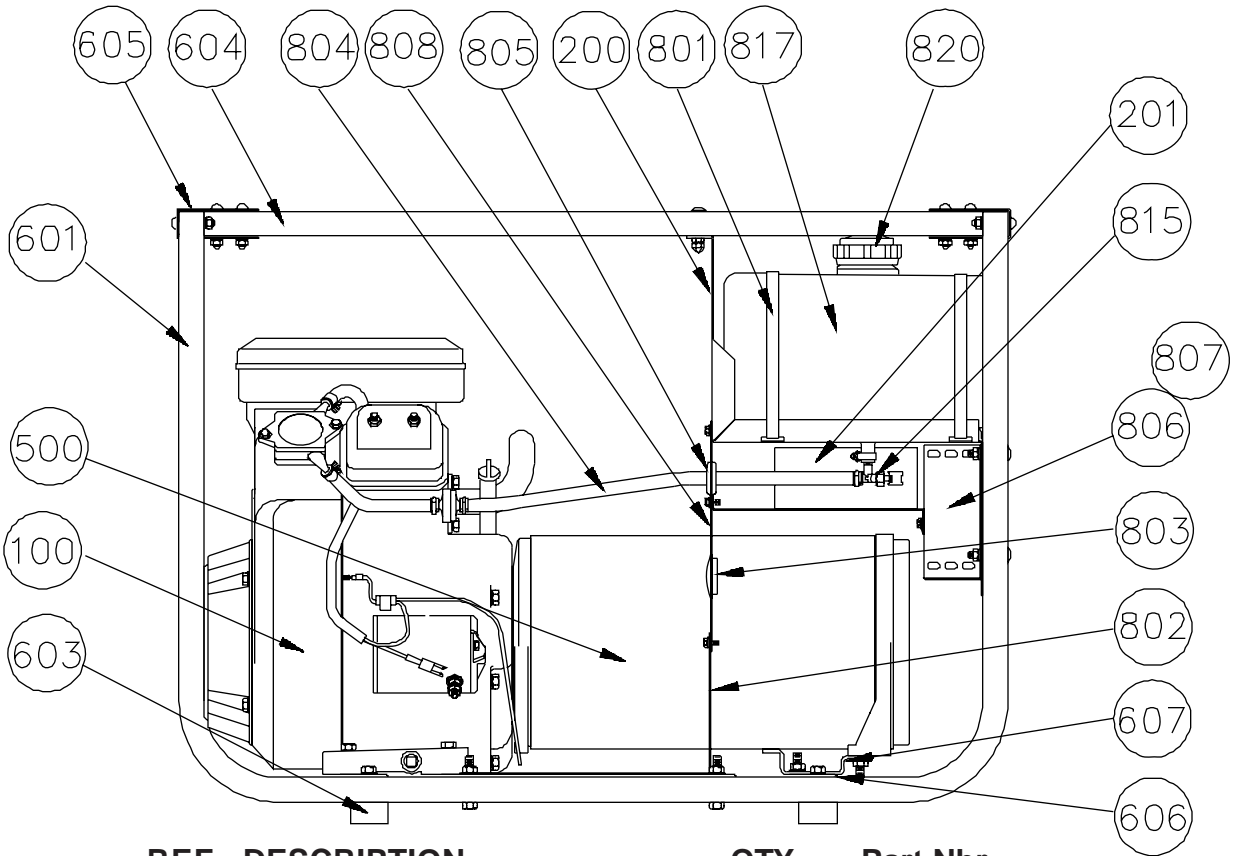
**WIRING DIAGRAM
TFLC & LLC 9000E**

RECEPTACLE PANEL



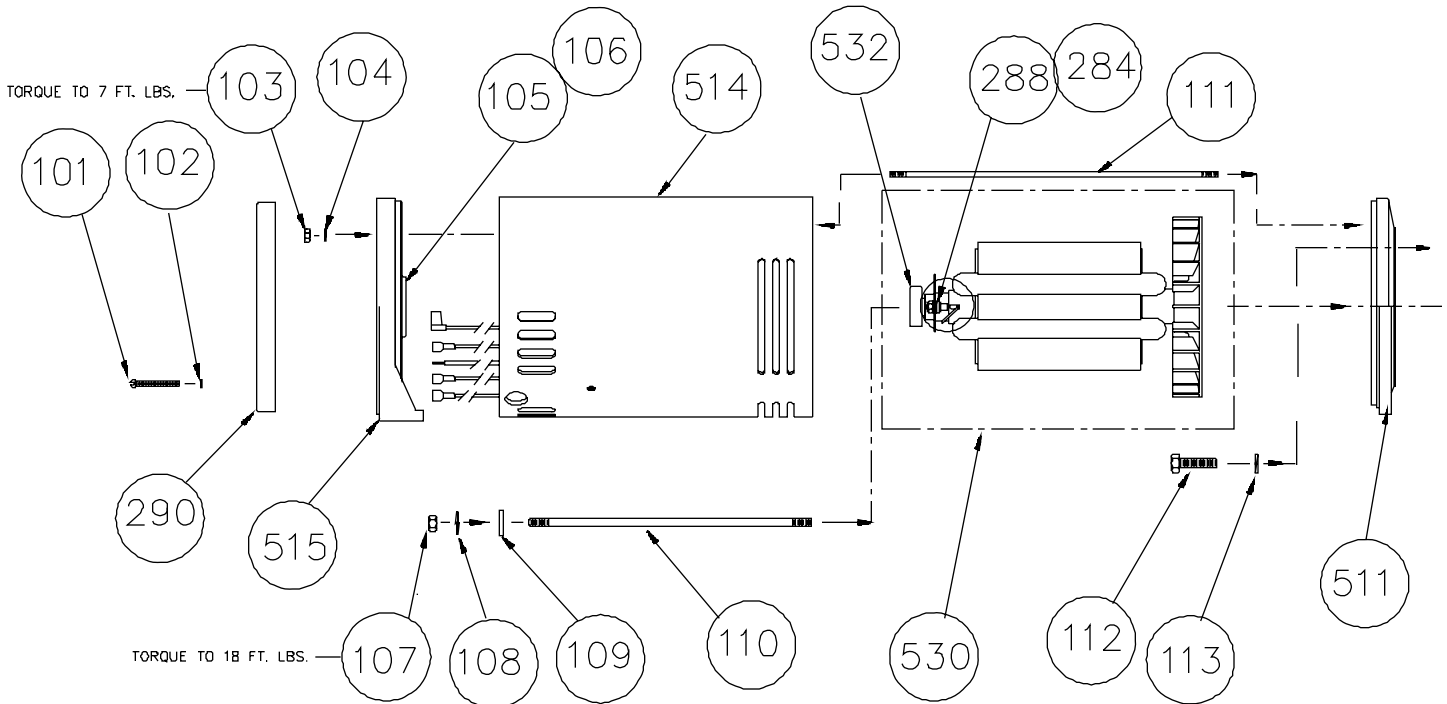
REF	DESCRIPTION	QTY	Part Nbr
101	Ground Strap	2	64045-003
102	Ground Strap	2	64045-006
103	Front Panel & Tank Support	1	15899-000
245	Receptacle 120/240 (L14-30R)	1	97360-000
246	Receptacle 120 Volt (5-15R)	2	24749-000
258	Circuit Breaker (15 Amp 1P)	3	91286-000
259	Circuit Breaker (35 Amp 2P)	1	57030-003

COMPLETE UNIT ASSEMBLY



REF	DESCRIPTION	QTY	Part Nbr
100	Engine Briggs & Stratton	REF	303447 0342-01
200	Receptacle Panel Assembly	REF	15890-000
201	Capacitor Box Assembly	REF	15741-000
500	Generator Assembly	REF	15041-020
601	Cradle Half	2	15885-000
603	Shockmounts	4	20191-000
604	Cradle Top Member	1	15887-000
605	Cradle Clamp	2	15802-000
606	Cradle Cross Member	4	15733-000
607	Generator Adapter Brkt	1	15084-000
801	Tank Straps	1	15483-400
802	Bottom Baffle	1	15736-000
803	Grommet	1	62486-000
804	Fuel Hose (Feet)	1.34	40078-000
805	Grommet	1	23197-000
806	Rear Panel (Left)	1	15697-000
807	Rear Panel (Right)	1	15696-000
808	Top Baffle	1	15735-000
815	Fuel Shut Off Valve	1	98771-000
817	Fuel Tank	1	64024-000
820	Fuel Tank Cap Safety Decal Kit	1 1	15482-000 15209-000

GENERATOR ONLY ASSEMBLY

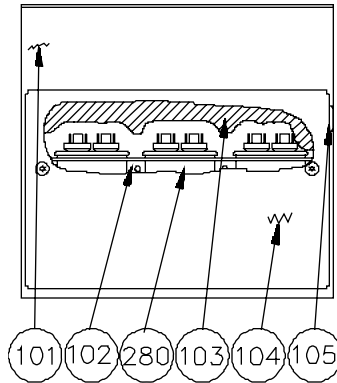


REF	DESCRIPTION	QTY	Part Nbr
101	Cap Screw #10-32 x 1.75	4	15013-001
102	Lockwasher #10	4	21975-000
103	Hex Nut 1/4-20	4	15192-000
104	Lockwasher 1/4	4	479-000
105	Tolerance Ring	1	15122-003
106	Shim	1	15688-000
107	Hex Nut 5/16-24	1	15193-000
108	Lockwasher 5/16	1	480-001
109	Flat Washer	1	23558-000
110	Special Stud	1	23197-028
111	Stud 1/4	4	15068-010
112	Cap Screw 3/8-16 x 1.5	4	91658-003
113	Lockwasher 3/8	4	481-000
284	Diode (STD)	1	15255-001
288	Diode (REV)	1	15255-002
290	End Cover	1	15085-000
511	Engine Mounting Brkt	1	15008-000
515	Machined End Brkt	1	15156-003
514	Stator Assembly	1	15091-009
530	Rotor Assembly	1	15045-009
532	Bearing	1	50215-000

GENERATOR WINDING RESISTANCES

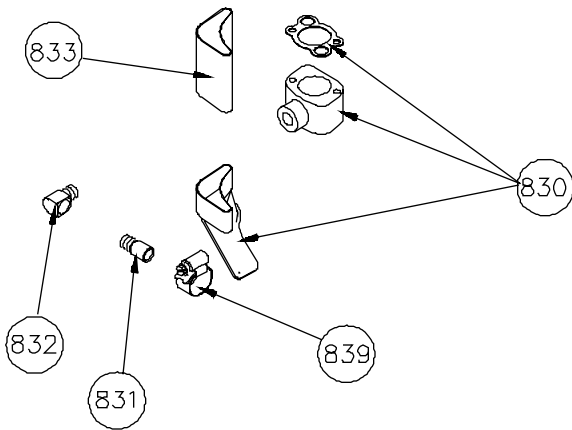
STATOR	G1 - N	0.118 - 0.131	ROTOR	0.69 - 0.77
	G3 - N	0.122 - 0.136	SS NBR	SS1538
	CAP LEADS	0.22 - 0.24	STATOR CONN.	AC 367

CAPACITOR BOX ASSEMBLY



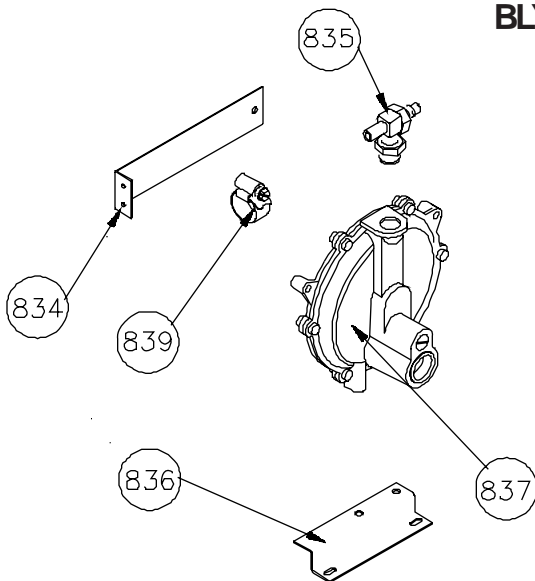
REF	DESCRIPTION	QTY	Part Nbr
101	Support Panel	1	15737-000
102	Capacitor Clamp	1	15226-000
103	Foam (Feet)	.67	15167-000
104	Capacitor Box	1	15224-000
105	Grommet	1	9336-000
280	Capacitors	3	15051-000

VAPOR FUEL CARBURATOR ASSEMBLY



REF	DESCRIPTION	QTY	Part Nbr
830	Vapor Fuel Kit	1	15279-000
831	Pipe Nipple	1	23491-000
832	Elbow	1	22339-000
833	Air Duct	1	15547-000
839	Hose Clamp	1	81018-005

DEMAND REGULATOR ASSEMBLY



REF	DESCRIPTION	QTY	Part Nbr
834	Support Brkt	1	15738-000
835	Load Block	1	55560-000
836	Mounting Brkt	1	15739-000
837	Fuel Demand Regulator	1	55559-000
839	Hose Clamp	1	81018-005

Phone - (612) 357-6831
 FAX - (612) 357-4857

WINCO®
 INCORPORATED
 225 S. Cordova Ave.
 LeCenter, Mn 56057