

# **WINGO INC**<sup>®</sup>

*A Division of **DTE** Dyna Technology Inc*

## **ILLUSTRATED PARTS LIST**

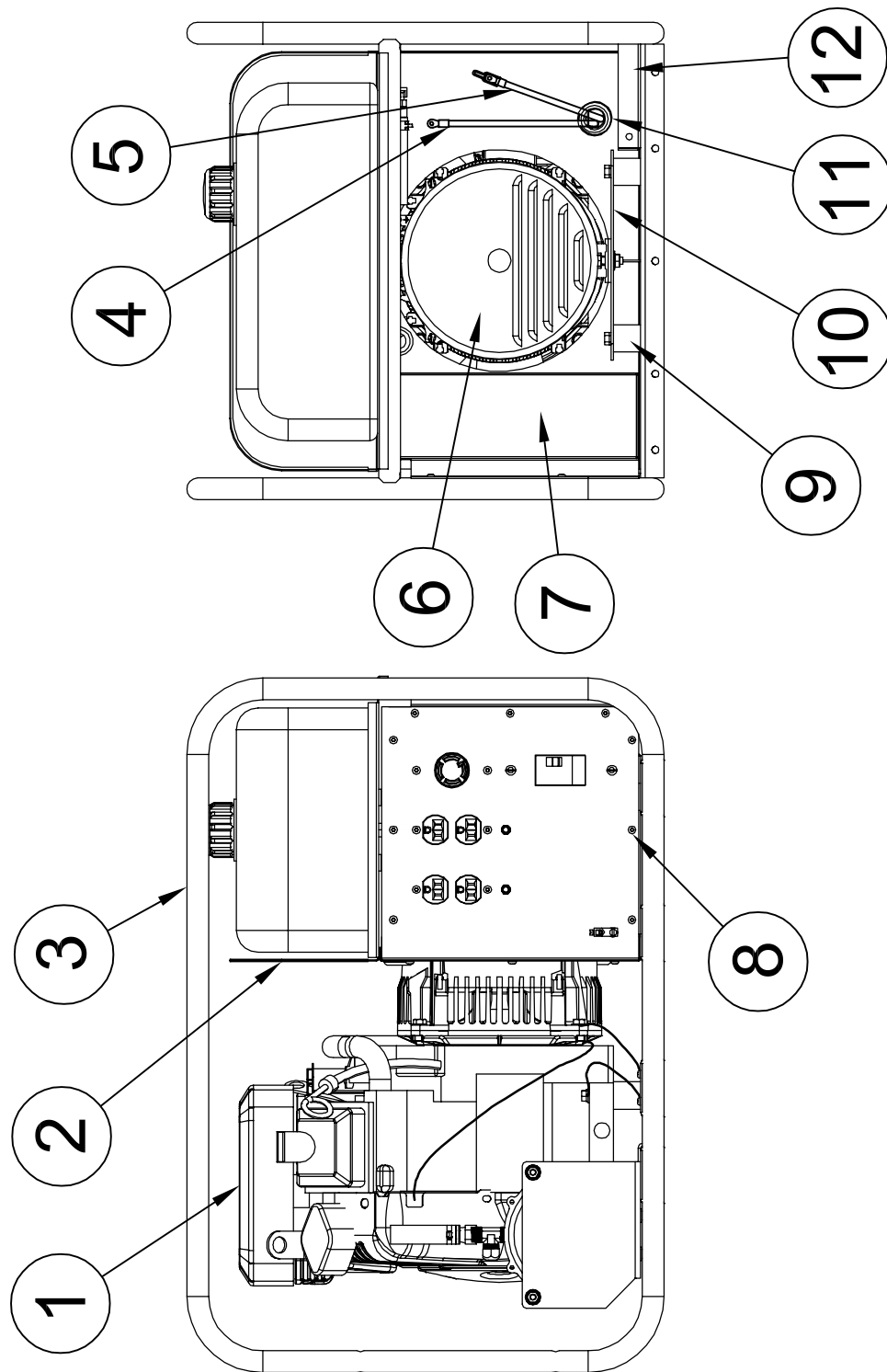
### **HPS9000VE/D**



**WINGO INC**<sup>®</sup>  
*A Division of **DTE** Dyna Technology Inc*

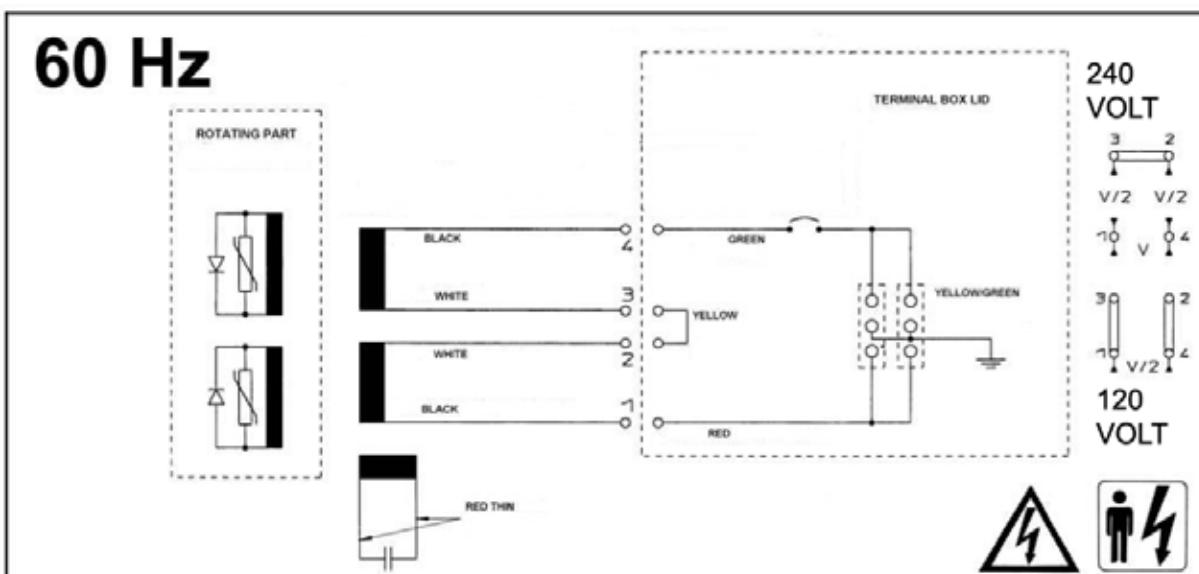
225 S. CORDOVA AVE.  
LECENTER, MN 56057  
507-357-6821  
SERVICE DEPT.  
507-357-6831

# COMPLETE UNIT ASSEMBLY

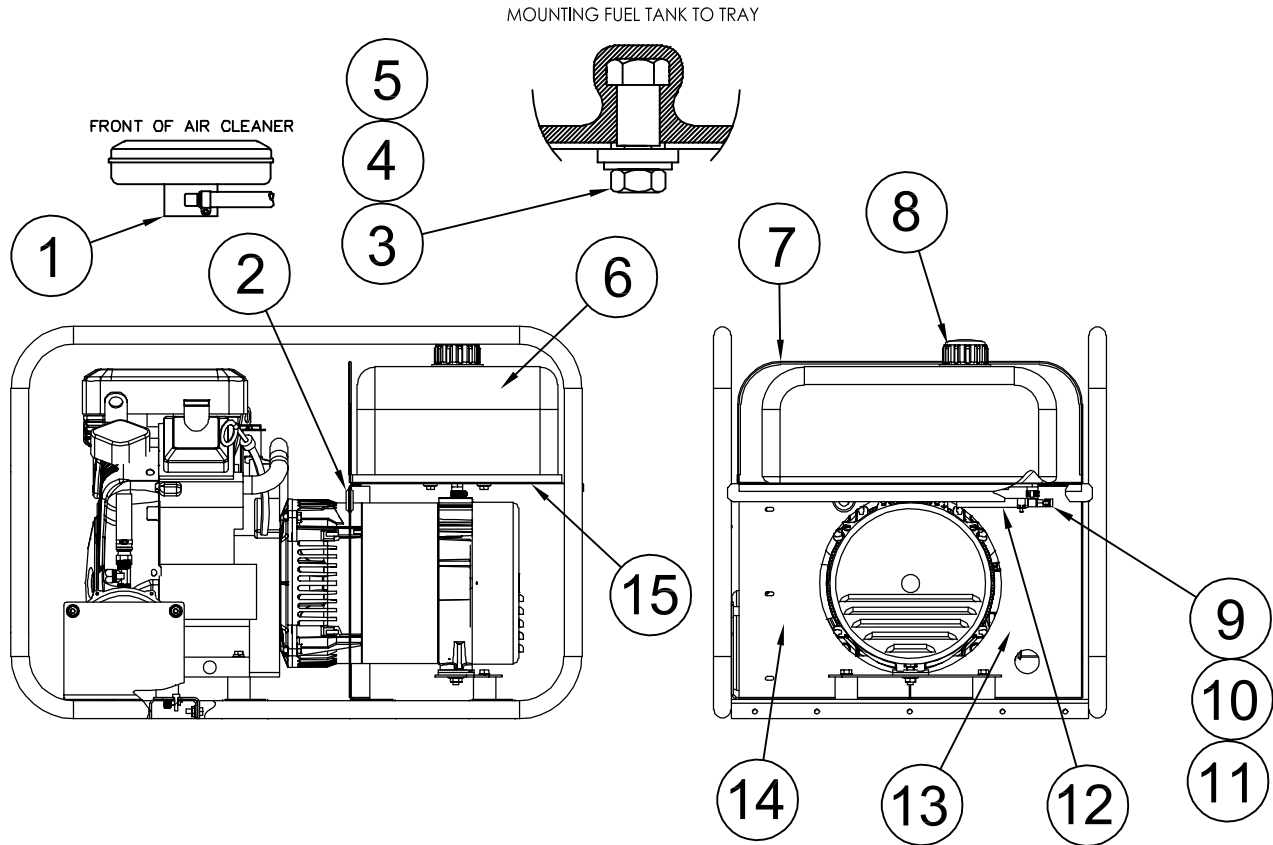


REF #	PART NUMBER	QTY	DESCRIPTION
1	15456-002	1	Engine, Briggs and Stratton 305447-0301-G1
2	15462-043S	1	Fuel Tray
3	63073-042	1	Cradle Assembly
4	15767-007	1	Negative (-) Battery Cable
5	15767-006	1	Positive (+) Battery Cable
6	16346-009	1	Generator, Mecc Alte Spa S20W-110
7	15221-024	1	Receptacle Back Panel
8	21698-001	30	Torx Screws
9	64062-000	6	Shockmounts
10	15084-008	1	Generator Bracket
11	62486-000	1	Grommet
12	15676-001	1	Battery Tray
NI	15807-000	1	Battery Hold Down Kit
NI	300323-212	1	35 mf Capacitor
NI	491055	2*	Spark Plug
NI	492932	1*	6 cm long Oil Filter
NI	491056	1*	9 cm long Oil Filter
NI	394018	1*	Air Filter
*			Briggs & Stratton part #
NI			Not Illustrated

## GENERATOR END SCHEMATIC

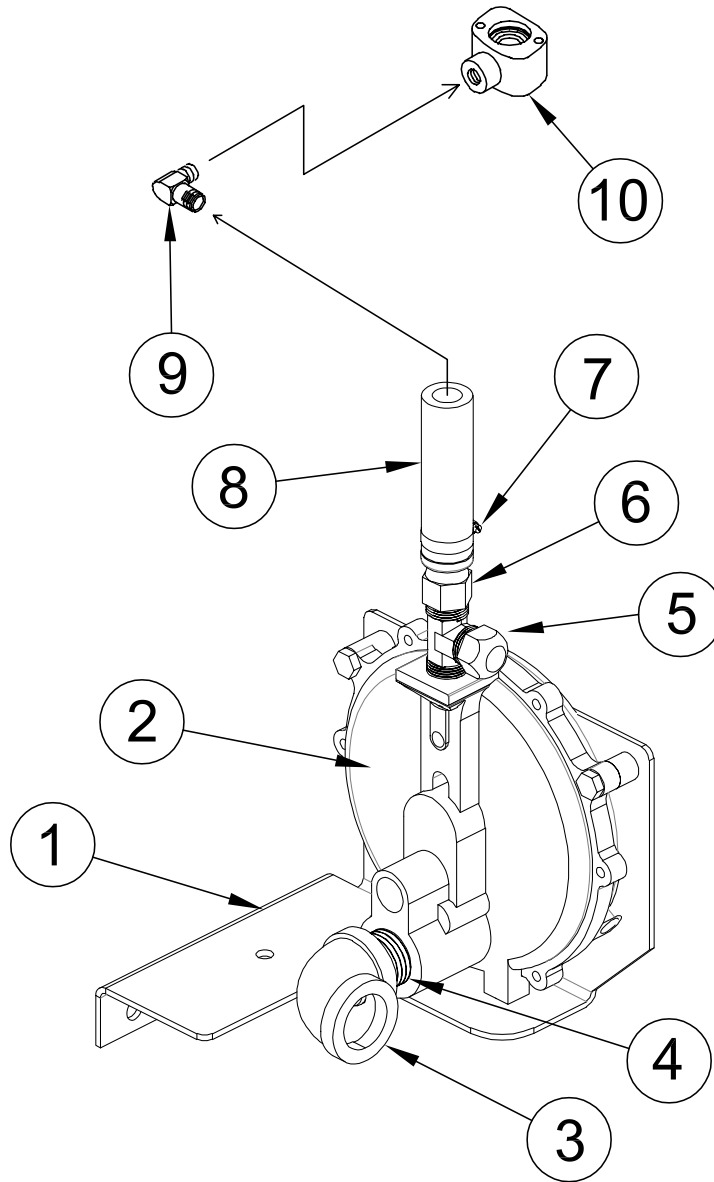


# FUEL SYSTEM ASSEMBLY



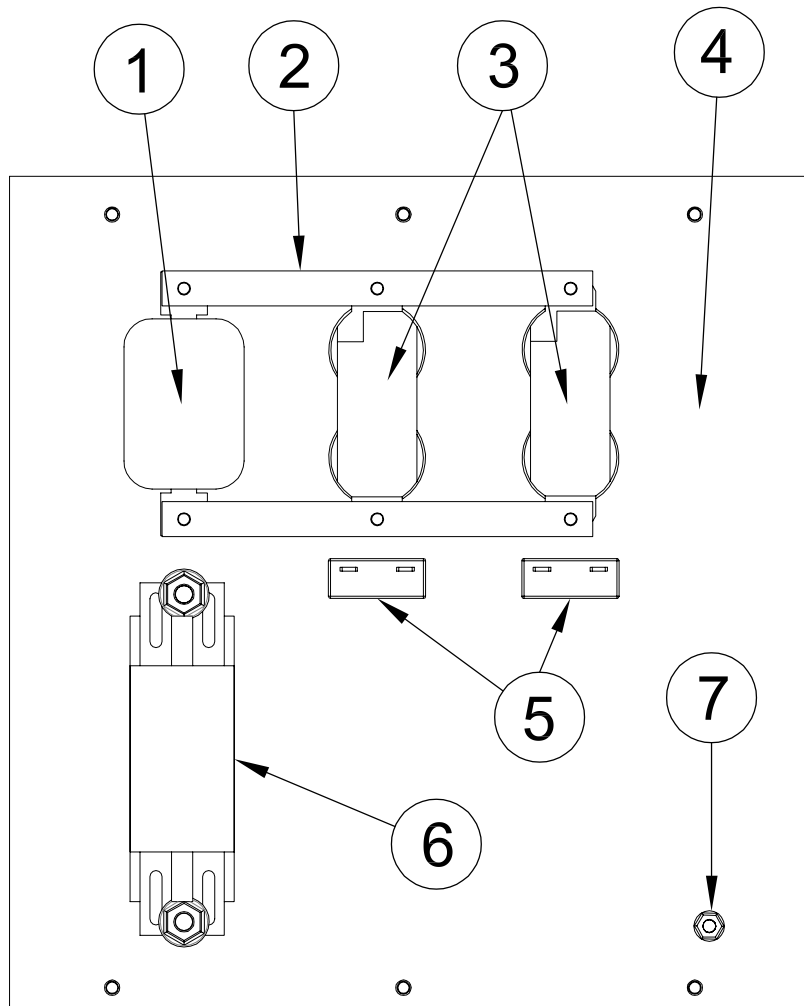
REF #	PART NUMBER	QTY	DESCRIPTION
1	15547-000	1	Air Duct
2	23917-000	1	Grommet
3	466-000	5	1/4"-20 X 3/4" Bolt
4	512-000	2	Flat Washer
5	16133-000	2	Leather Washer
6	64024-000	1	4.5 Gallon Fuel Tank
7	58684-007	1	Edge Trim
8	15482-000	1	Fuel Cap
9	81018-009	1	Hose Clamp
10	98771-000	1	Petcock Shut Off Valve
11	62999-001	2	Hose Clamp 1/2" O.D.
12	40078-019	1	1/4" Hose 21" Long
13	15223-029S	1	Right Divider
14	15222-029S	1	Left Divider
15	15462-043S	1	Fuel Tray

# VAPOR FUEL SYSTEM ASSEMBLY



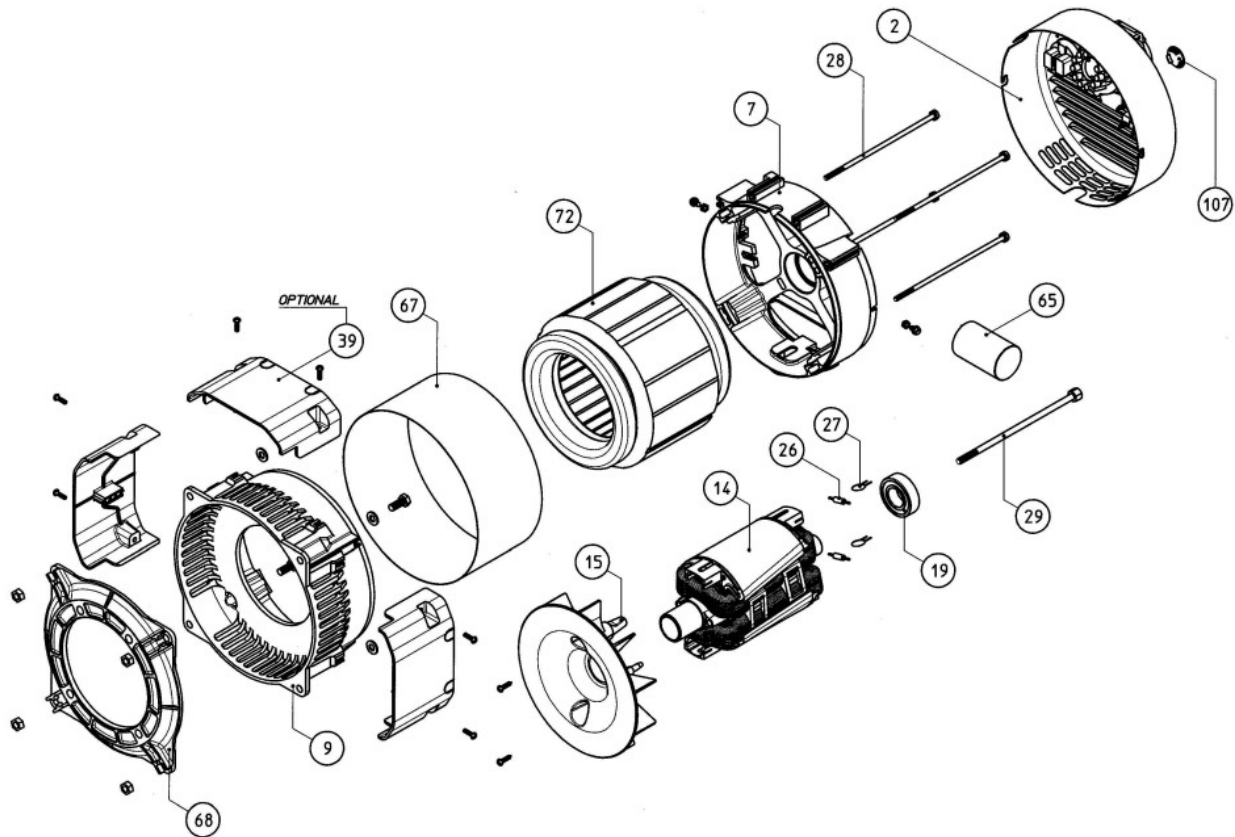
REF #	PART NUMBER	QTY	DESCRIPTION
1	16336-003	1	Bracket
2	55559-002	1	Regulator
3	50244-000	1	3/4" 90° Pipe Elbow
4	54074-006	1	Pipe Nipple
5	99874-002	1	Tee Fitting
6	350892-3	1	Flare Hose Fitting
7	81018-008	1	Hose Clamp
8	23048-001	1	1/2" I.D. Hose 18" Long
9	92382-003	1	Hose Fitting
10	15279-000	1	Carburetor Adapter

# RECEPTACLE BOX ASSEMBLY



REF #	PART NUMBER	QTY	DESCRIPTION
1	97360-000	1	NEMA L14-30R Receptacle
2	64045-006	2	Mounting Strap
3	50766-000	2	NEMA 5-20R Receptacle
4	15458-026	1	Receptacle Panel
5	91286-001	2	20 Amp Circuit Breaker
6	57030-003	1	35 Amp Circuit Breaker
7	48042-001	1	Ground Lug

# GENERATOR END ASSEMBLY



REF #	PART NUMBER	QTY	DESCRIPTION
	16346-009	1	Complete Generator End
19	54665-000	1	6205-2RS Bearing
26	300323-208	2	Varistor
27	300323-207	2	Diode
65	300323-212	1	35 mf Capacitor

## GENERATOR SPECIFICATIONS:

STATOR:	0.210 Ohms
ROTOR:	5.22 Ohms
CAPACITOR LEADS	0.87 Ohms

# WIRING DIAGRAM

