

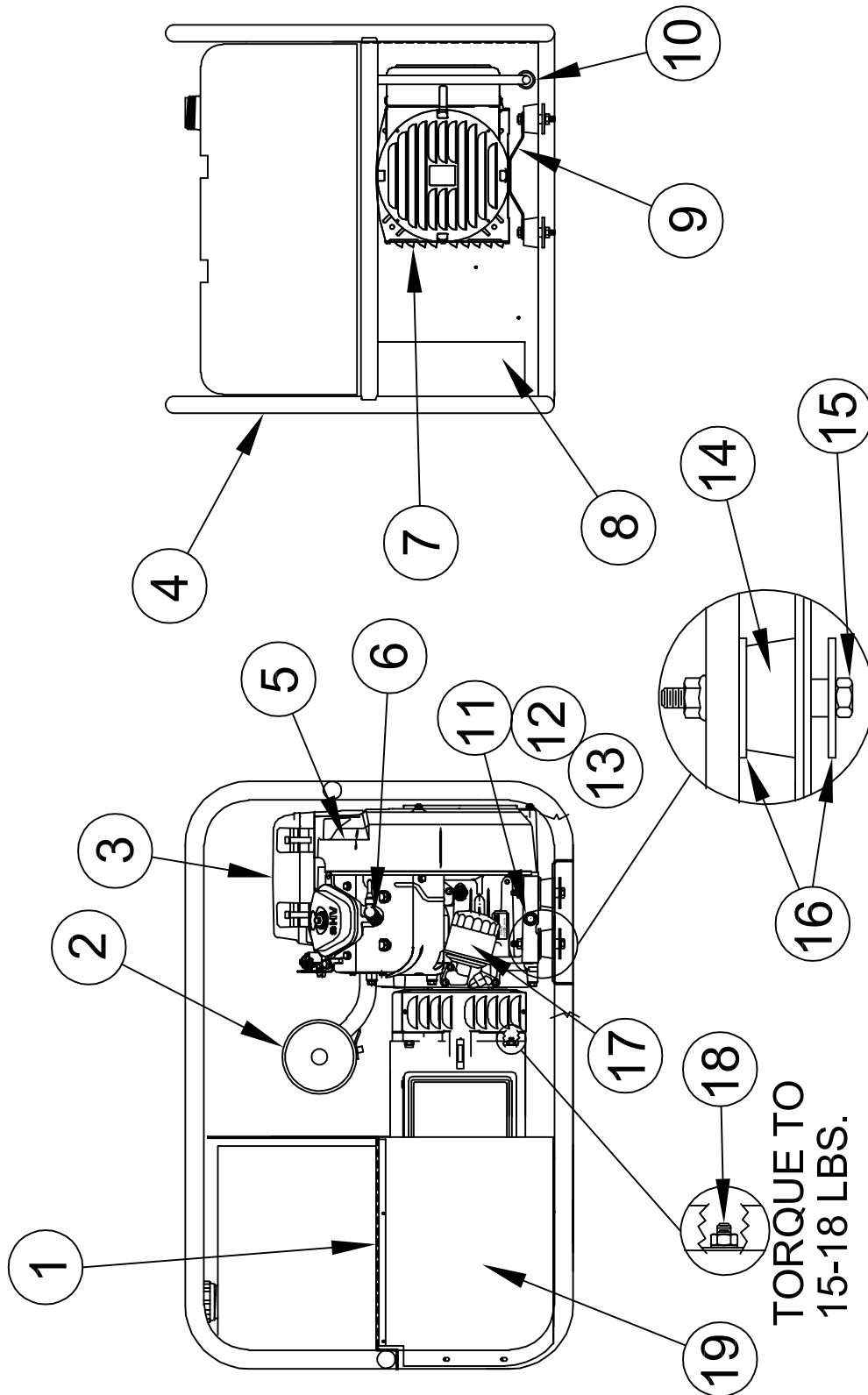


ILLUSTRATED PARTS LIST

HPS12000HE/E

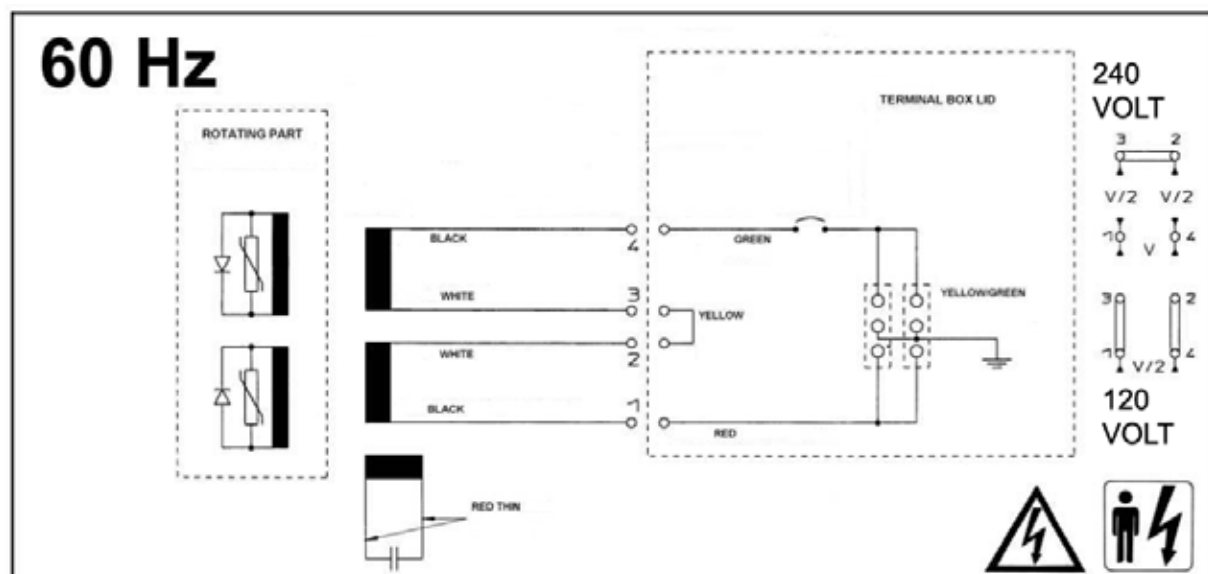
225 S. CORDOVA AVE.
LECENTER, MN 56057
507-357-6821
SERVICE DEPT.
507-357-6831
wincogen.com

COMPLETE UNIT ASSEMBLY

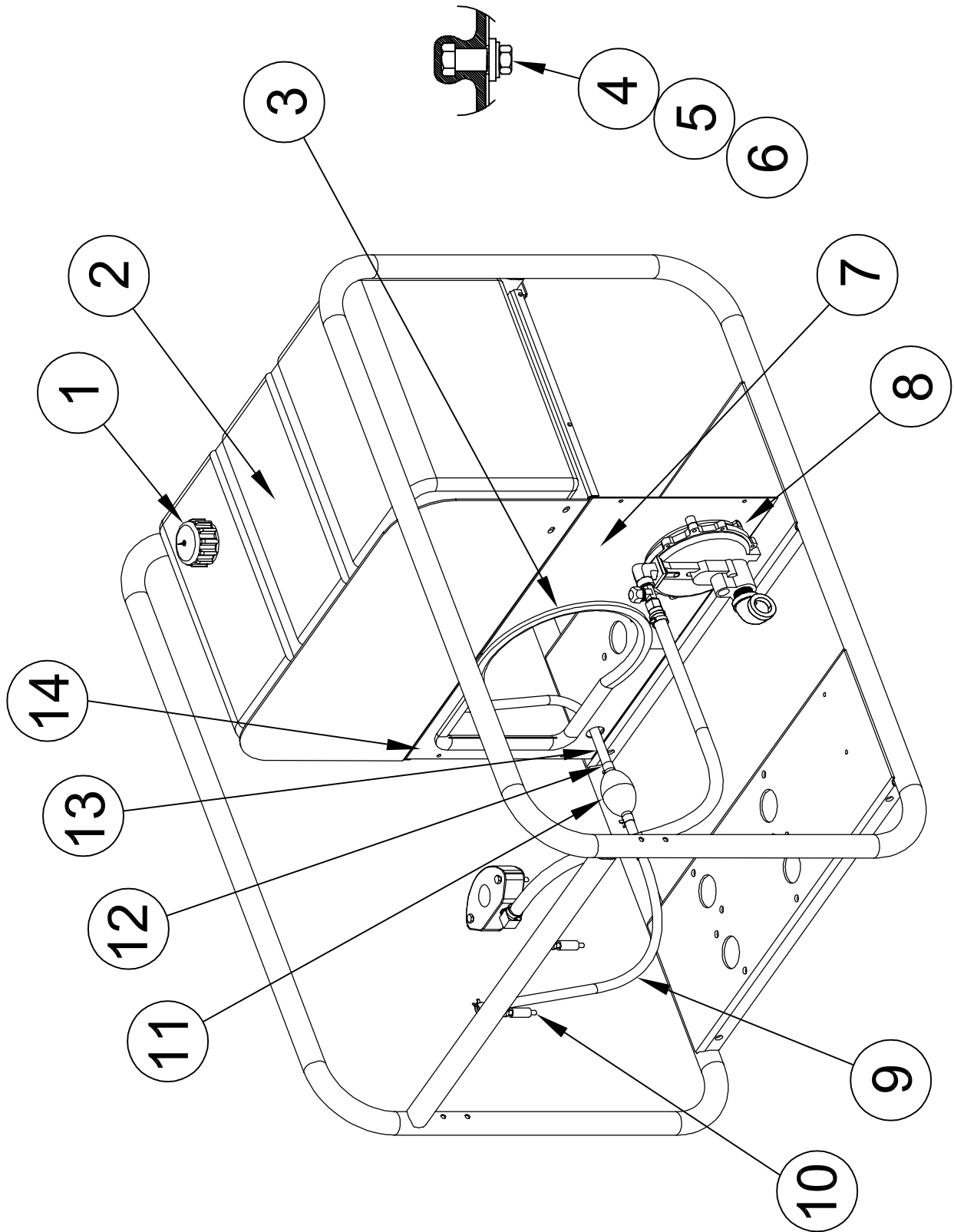


REF #	PART NUMBER	QTY	DESCRIPTION
1	15462-036	1	Fuel Tank Tray
2	15769-000	1	Spark Arrestor
3	17210-Z6L-000	1*	Air Filter
4	63073-035	1	Cradle
5	15959-008	1	Engine Honda GX630RVXE1
6	ZFR5F	2**	Spark Plug
7	351836-1	1	Generator, Mecc Alta Spa S20FS-160/A
8	300146-6S	1	Rear Receptacle Cover
9	16335-003	1	Generator Support
10	23917-000	1	Grommet
11	300349-2	1	Adapter
12	16456-005	1	3" Pipe Nipple
13	21858-000	1	Pipe Cap
14	98807-000	6	Shock Mounts
15	91658-014	4	3/8-16 X 3 1/2 Bolt
16	98806-000	10	Flat Washer
17	15400-RTA-004	1*	Oil Filter
18	16446-000	4	M8 X 1 1/4 Nylock Hex Nut
19	98101-009	1	Side Panel
NI	15769-000	1	Spark Arrestor
NI	Not Illustrated		
*	Honda Part #		
**	NGK Part #		

GENERATOR END SCHEMATIC

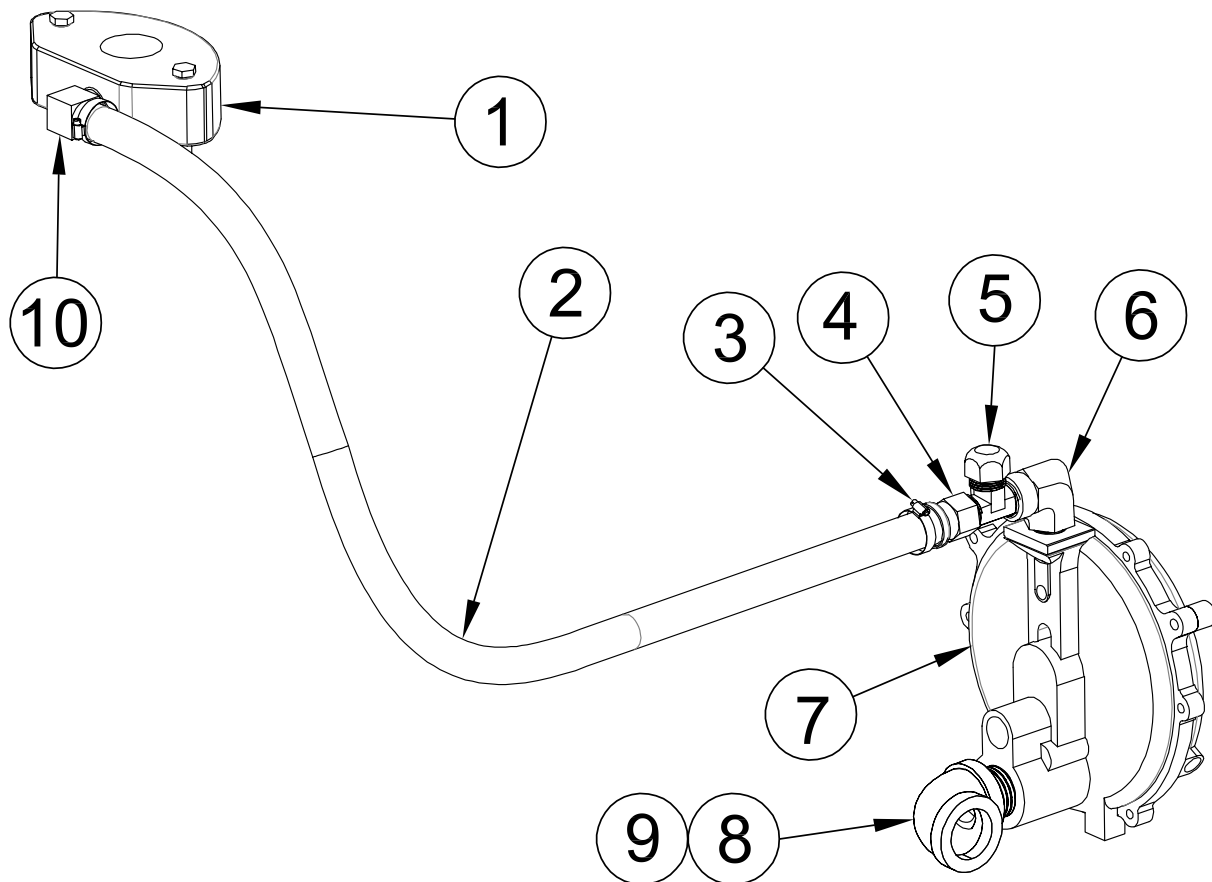


FUEL SYSTEM ASSEMBLY



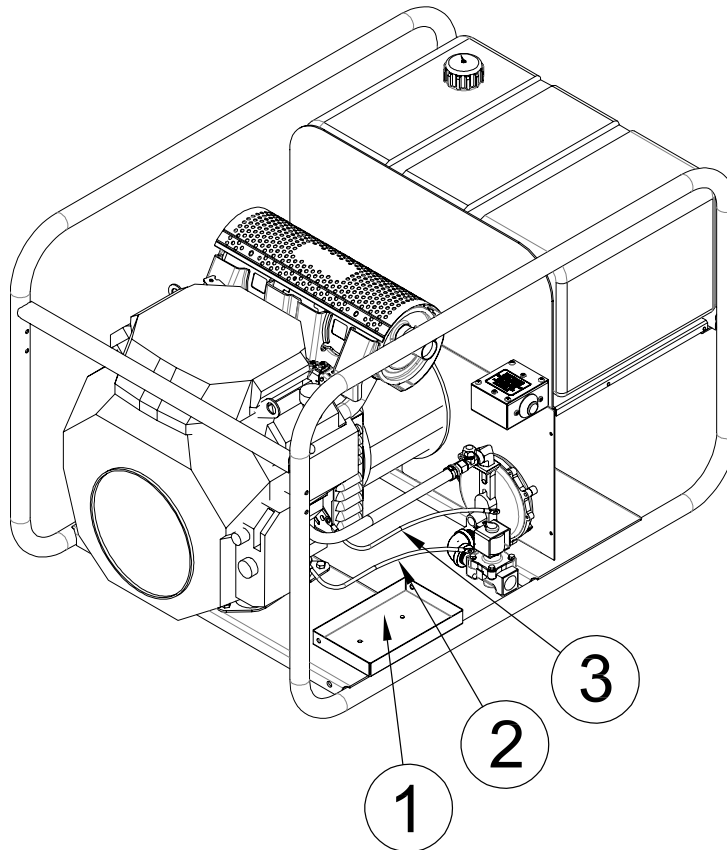
REF #	PART NUMBER	QTY	DESCRIPTION
1	62396-006	1	Fuel Cap with Gauge
2	16316-001	1	15 Gallon Fuel Tank
3	15287-017	1	24" Air Seal
3a	15287-016	1	15 3/4" Air Seal
4	16133-001	4	Leather Washer
5	20604-000	4	Flat Washer
6	91658-011	4	3/8"-16 X 3/4" Bolt
7	15464-009	1	Right Side Generator Divider
8	64902-001	Ref.	Vapor Fuel Kit
9	40078-000	20"	1/4" Fuel Hose
10	62825-001	2	Spacer
11	62391-000	1	Primer Bulb
12	62999-001	4	1/2" Red Spring Clamp
13	40078-000	13"	1/4" Fuel Hose
14	15464-005	1	Left Side Generator Divider

VAPOR FUEL SYSTEM ASSEMBLY



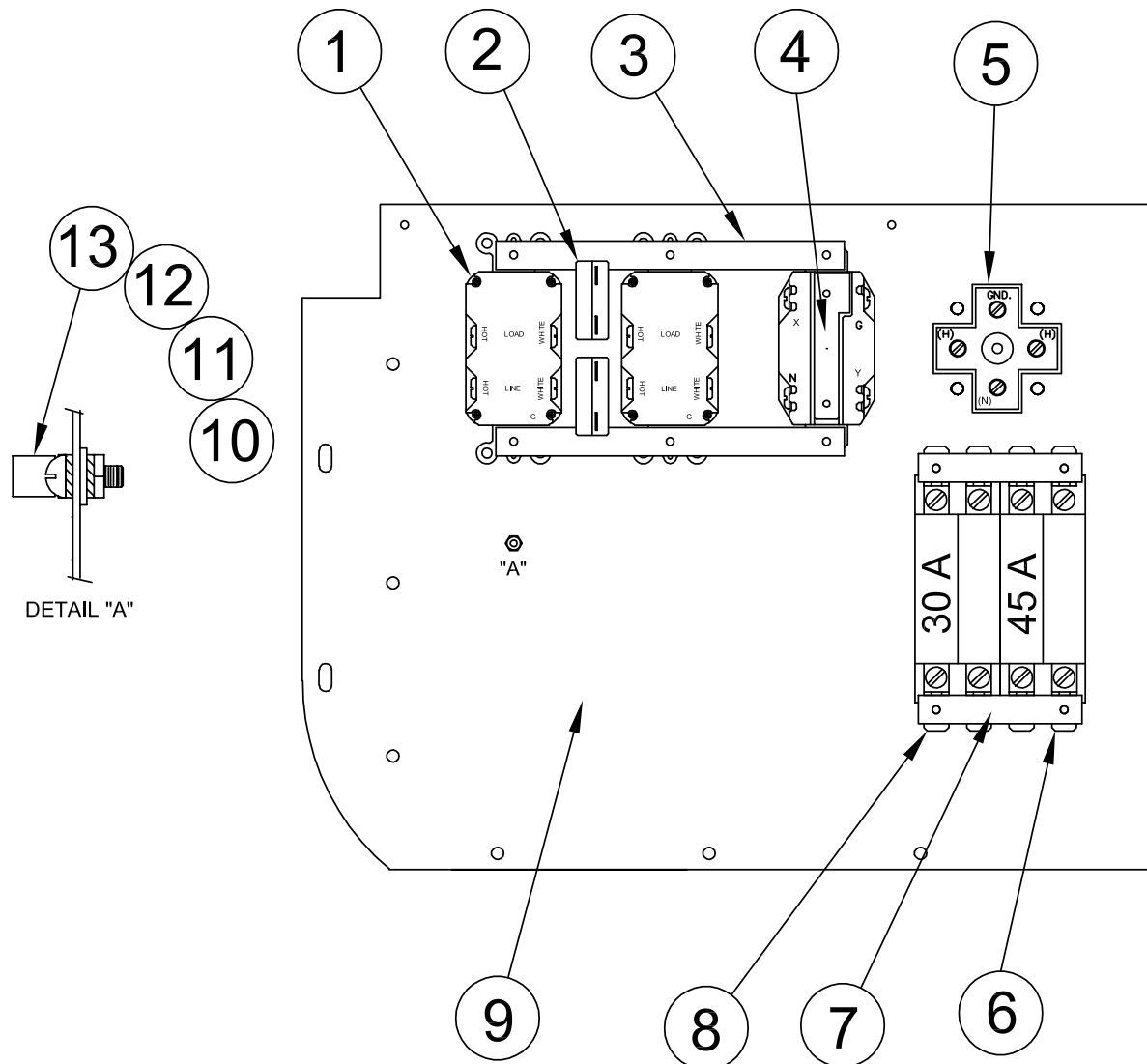
REF #	PART NUMBER	QTY	DESCRIPTION
1	63581-002	1	Carburetor Adapter
2	23048-000	28"	1/2" Vapor Fuel Hose
3	81018-008	2	Hose Clamp
4	350892-3	1	Hose Fitting
5	99874-000	1	Tee Fitting
6	99875-000	1	90° Fitting
7	55559-002	1	Regulator
8	54074-006	1	Pipe Nipple
9	50244-000	1	90° Elbow
10	92382-004	1	Hose Fitting Elbow

BATTERY INSTALLATION



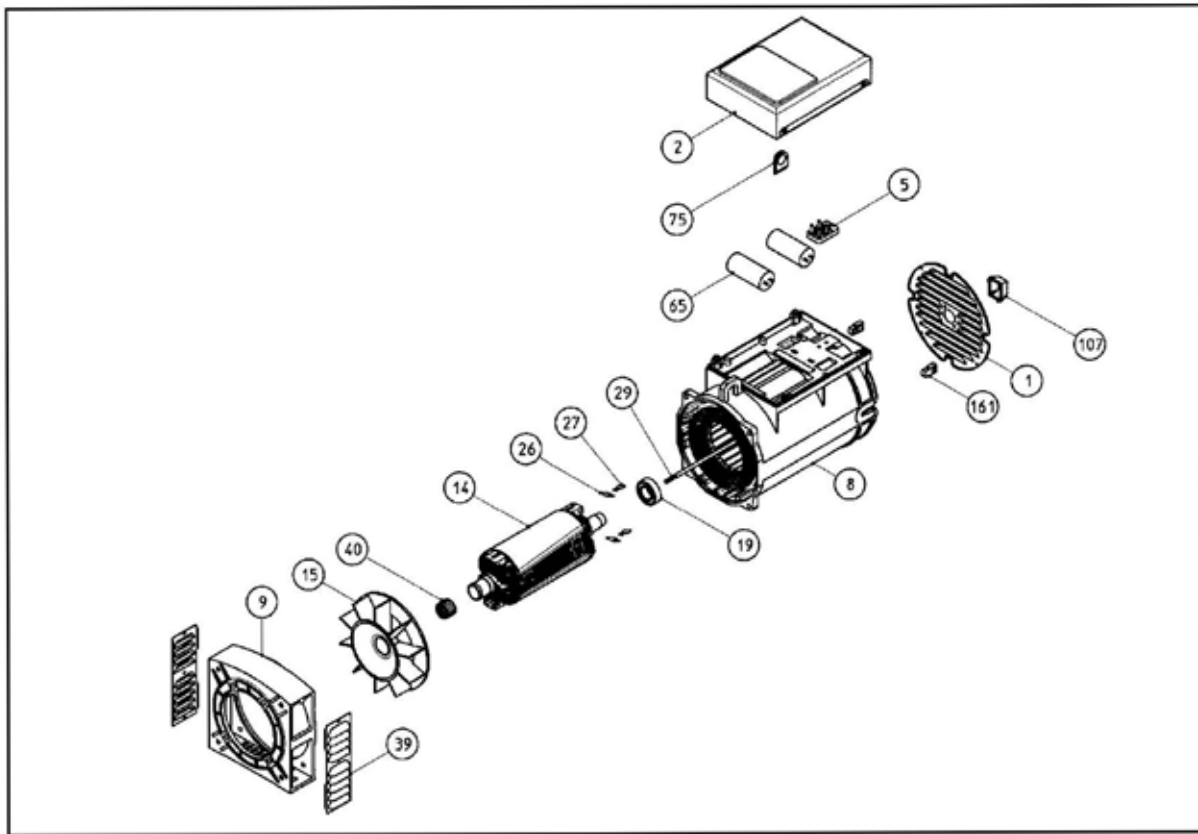
REF #	PART NUMBER	QTY	DESCRIPTION
1	15676-008	1	Battery Tray
2	15767-027	1	Positive Battery Cable
3	15767-028	1	Negative Battery Cable
NI	300143	1	Battery Hold Down Kit
NI	Not Illustrated		

RECEPTACLE BOX ASSEMBLY



REF #	PART NUMBER	QTY	DESCRIPTION
1	15147-001	2	20 Amp GFCI Receptacle
2	91286-001	2	20 Amp Circuit Breaker
3	64045-006	2	Mounting Strap
4	97360-000	1	NEMA L14-30R Receptacle
5	300136	1	NEMA 14-60R Receptacle
6	57030-007	1	45 Amp 2 Pole Circuit Breaker
7	64045-009	2	Mounting Strap
8	57030-002	1	30 Amp 2 Pole Circuit Breaker
9	99055-021S	1	Receptacle Panel
10	48042-001	1	Ground Lug
11	419-000	1	Round Head Bolt
12	21975-000	2	Lock Washer
13	456-000	1	# 10-24 Hex Nut

GENERATOR END ASSEMBLY



REF #	PART NUMBER	QTY	DESCRIPTION
	351836-1	1	Complete Generator End
19	54665-000	1	6205-2RS Bearing
26	300323-208	2	Varistor
27	300323-207	2	Diode
65	300323-112	2	31.5 mf 450 VAC Capacitor

GENERATOR SPECIFICATIONS:

STATOR:	0.209 Ohms
ROTOR:	6.57 Ohms
CAPACITOR LEADS	0.60 Ohms

WIRING DIAGRAM

