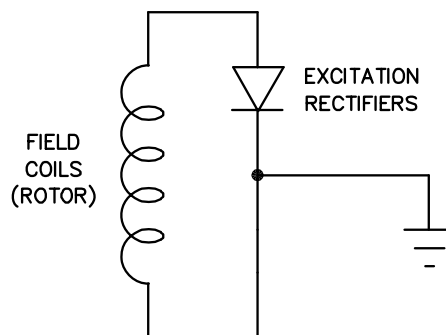
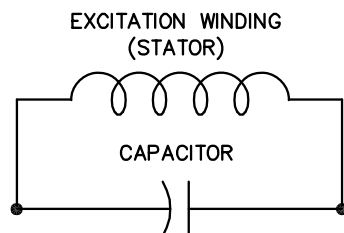
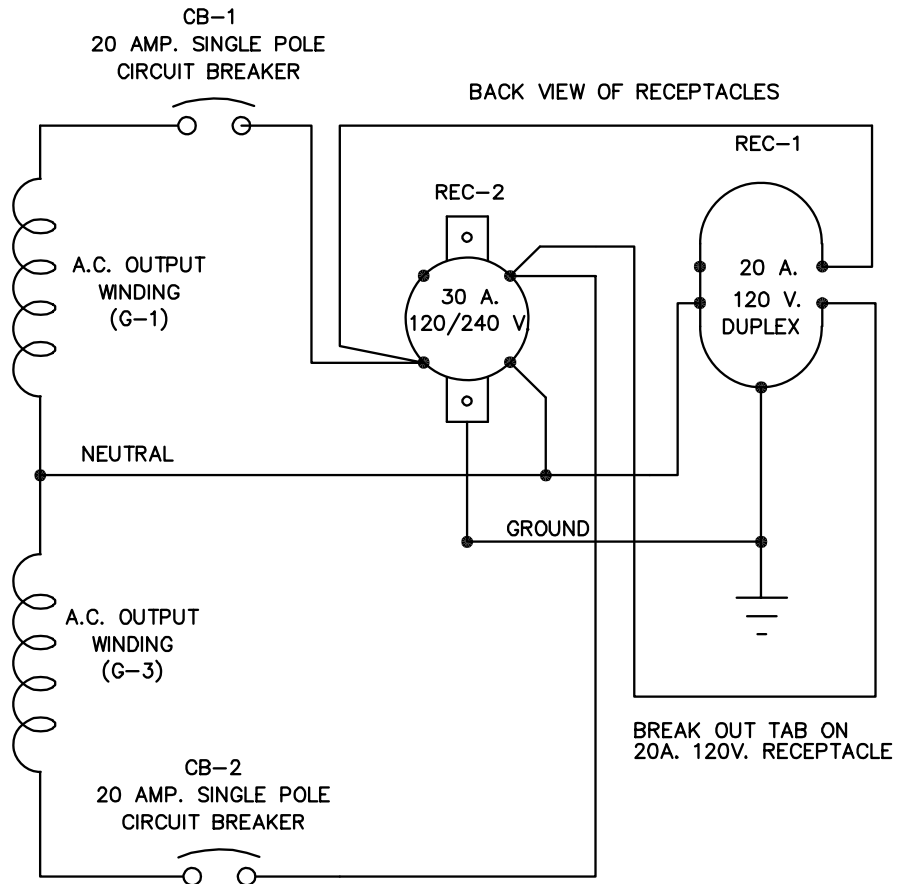


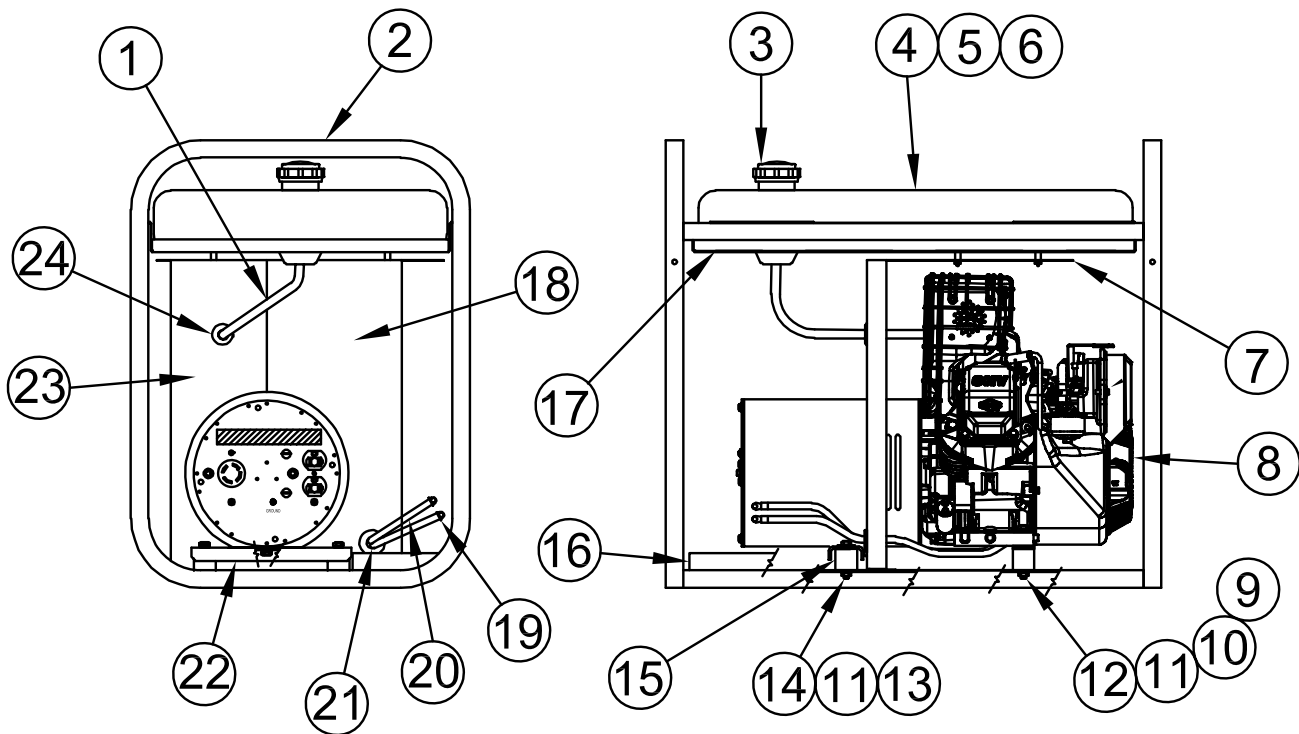
WINGO INC[®]

A Division of **DTE** Dyna Technology Inc

ILLUSTRATED SP4500IE/A PARTS LIST



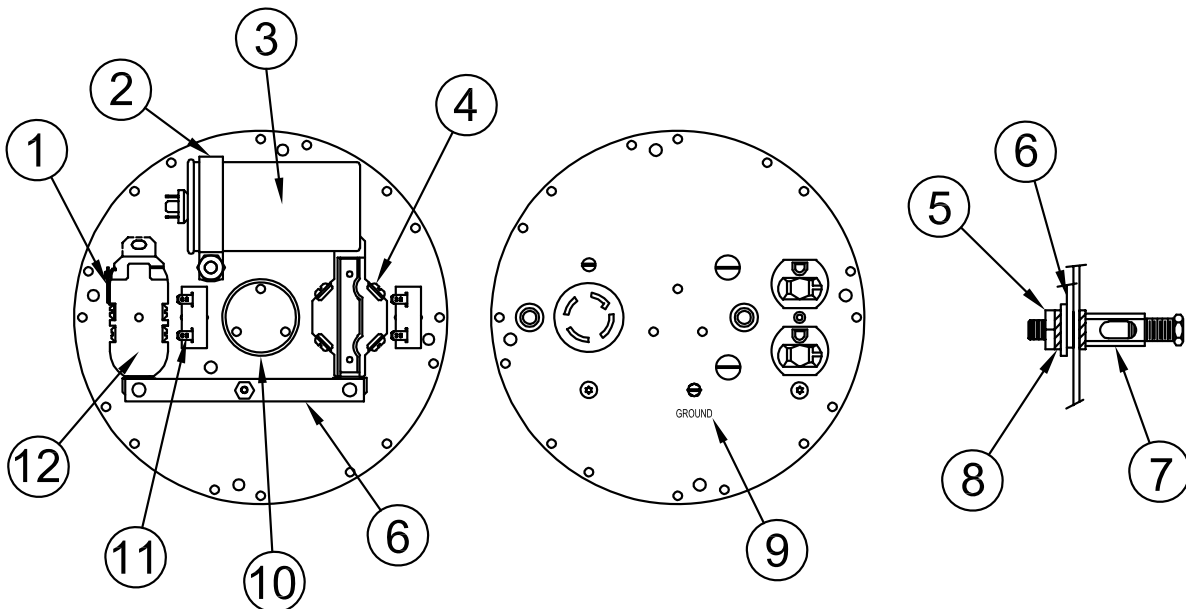
ENGINE & GENERATOR ASSEMBLY



REF #	PART NUMBER	QTY	DESCRIPTION
1	40078-022	1	Fuel Hose (29")
2	16369-000	1	Cradle
3	240020003	1	Fuel Cap
4	240022003	1	Fuel Tank
5	62409-000	1	Fuel Tank Grommet
6	63467-000	1	Fuel Valve
7	300053-1	1	Heat Shield
8	16089-012	1	Engine Briggs & Stratton Model 201417-0114-E1
9	468-000	2	5/16"-18 X 1.5 Hex Head Bolt
10	526-000	3	5/16" Flat Washer
11	480-000	4	Lock Washer
12	23760-002	2	1.25" O.D. X .344" I.D. Washer
13	477-000	2	5/16"-18 X .625 Hex Head Bolt
14	16249-000	4	5/16" Flange Nut
15	64062-000	4	Shock Mounts

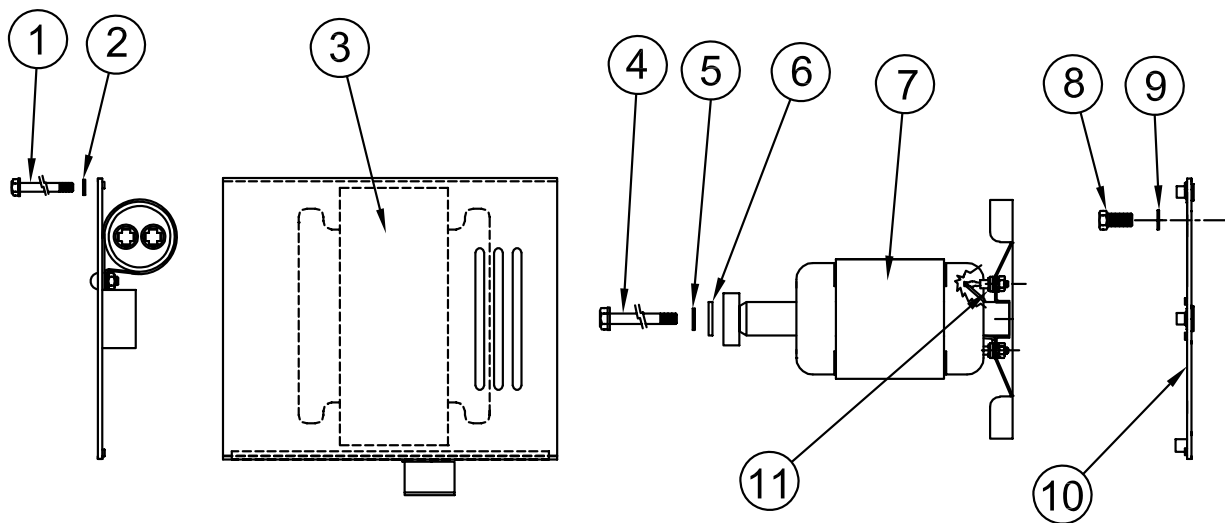
REF #	PART NUMBER	QTY	DESCRIPTION
16	15676-003	1	Battery Tray
17	16372-000	1	Fuel Tank Tray
18	16374-000	1	Right Baffle
19	15767-009	1	Negative (-) Battery Cable
20	15767-016	1	Positive (+) Battery Cable
21	62486-000	1	Grommet
22	300039	1	Generator Support
23	16373-000	1	Left Baffle
24	23917-000	1	Grommet
NI	267-003	4	9/32" I.D. X 1" O.D. Flat Washer
NI	62999-001	2	Clamps
NI	488-000	4	1/4" Flat Washer
NI	20667-000	4	1/4"-20 X 2" Hex Head Bolt
NI	47517-000	4	1/4"-20 Elastic Stop Nut
NI	16133-000	8	Leather Washer
NI	Not Illustrated		

END BRACKET & RECEPTACLE ASSEMBLY



REF #	PART NUMBER	QTY	DESCRIPTION
1	41387-009	1	Ground Strap
2	15374-002	1	Strap
3	15051-000	1	Capacitor, 40 μ 370VAC
4	97360-000	1	30A 240V Receptacle
5	456-000	1	#10-24 Hex Nut
6	64045-025	1	Ground Strap
7	48042-001	1	Ground Lug
8	21975-000	2	#10 Lock Washer
9	15750-000	1	Ground Decal
10	15122-000	1	Tolerance Ring
11	91286-001	2	20A Circuit Breaker
12	50766-000	1	20A 120V Receptacle

GENERATOR ASSEMBLY



REF #	PART NUMBER	QTY	DESCRIPTION
1	15530-003	4	¼"-20 Bolt
2	479-000	4	¼" Lock Washer
3	15359-437	1	Stator Assembly
4	15529-001	1	5/16"-24 Bolt
5	480-000	1	Lock Washer
6	23558-000	1	Washer
7	15359-421	1	Rotor Assembly
8	464-000	4	Bolt
9	481-000	4	Lock Washer
10	15367-000	1	Engine Bracket
11	15047-001	1	Diode, Std. Polarity

DECALS

REF #	PART NUMBER	QTY	DESCRIPTION
NI	63941-001	1	Hot Warning
NI	15209-000	1	Danger Decal Set
NI	15370-000	1	Dyna Decal
NI	Not Illustrated		

WINCO INC[®]
A Division of DTE Dyna Technology Inc

**225 S. CORDOVA AVE.
 LECENTER, MN 56057
 507-357-6821
 SERVICE DEPT.
 507-357-6831**