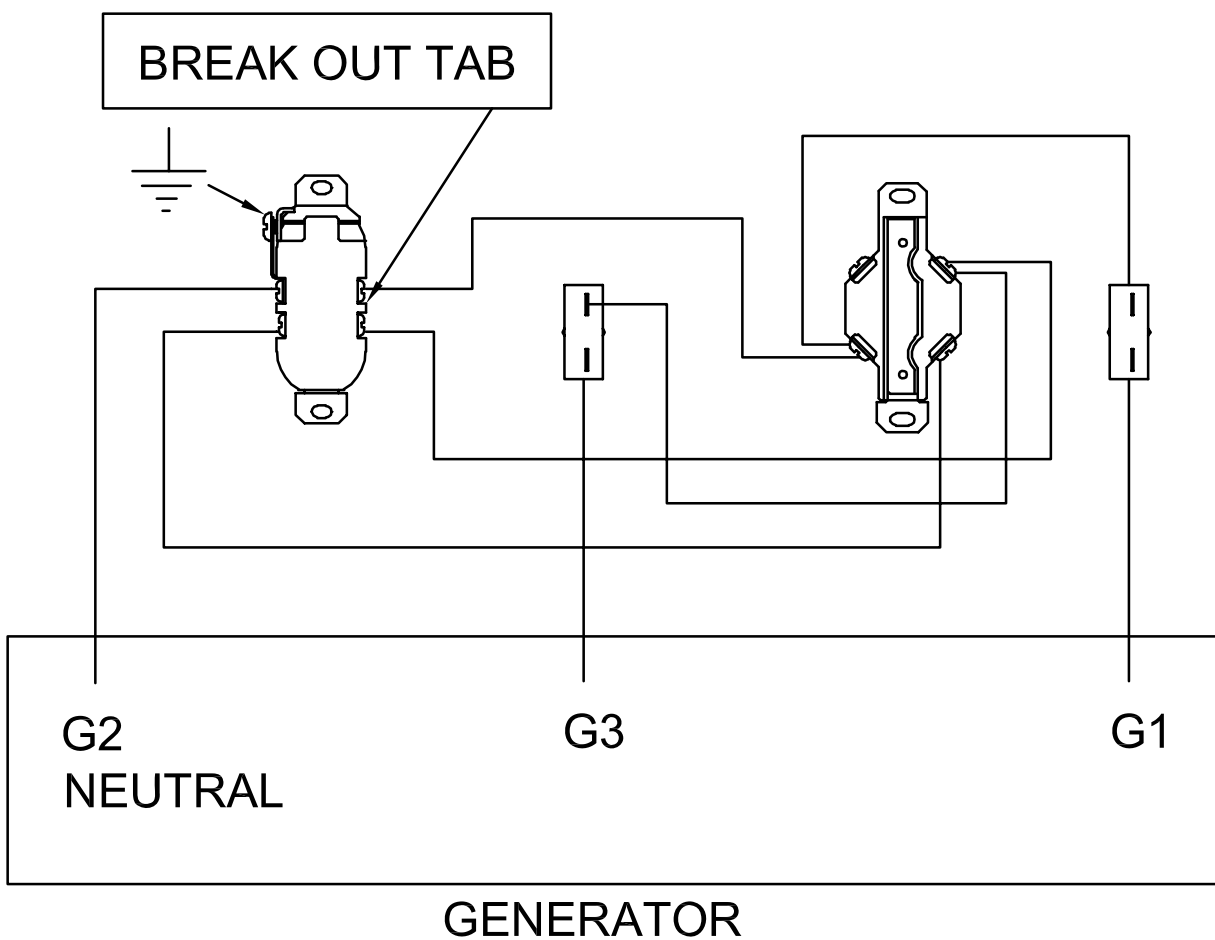
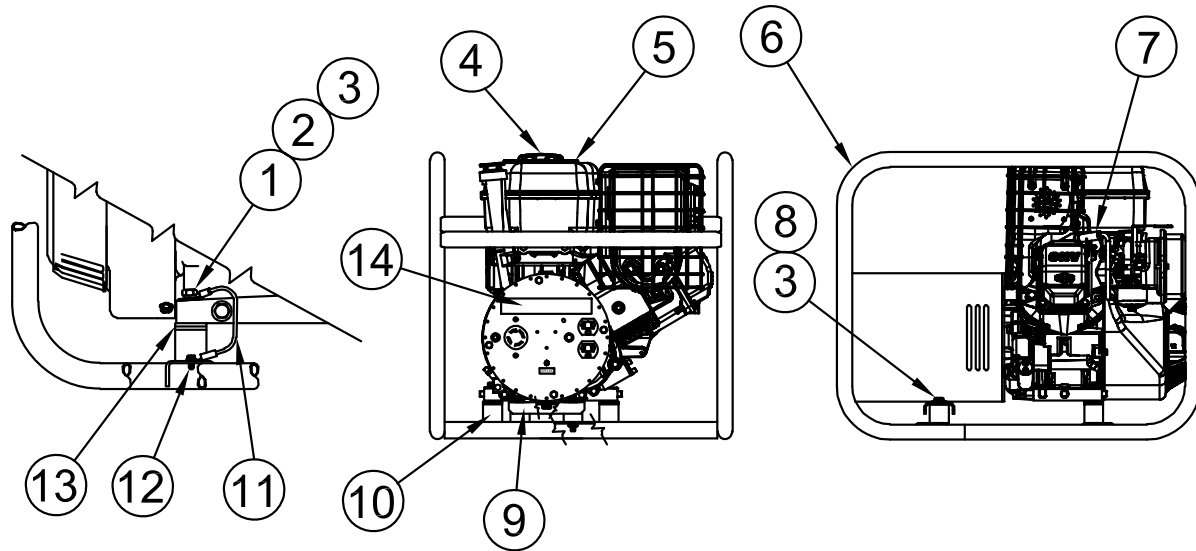


ILLUSTRATED PARTS LIST

D4500I/B



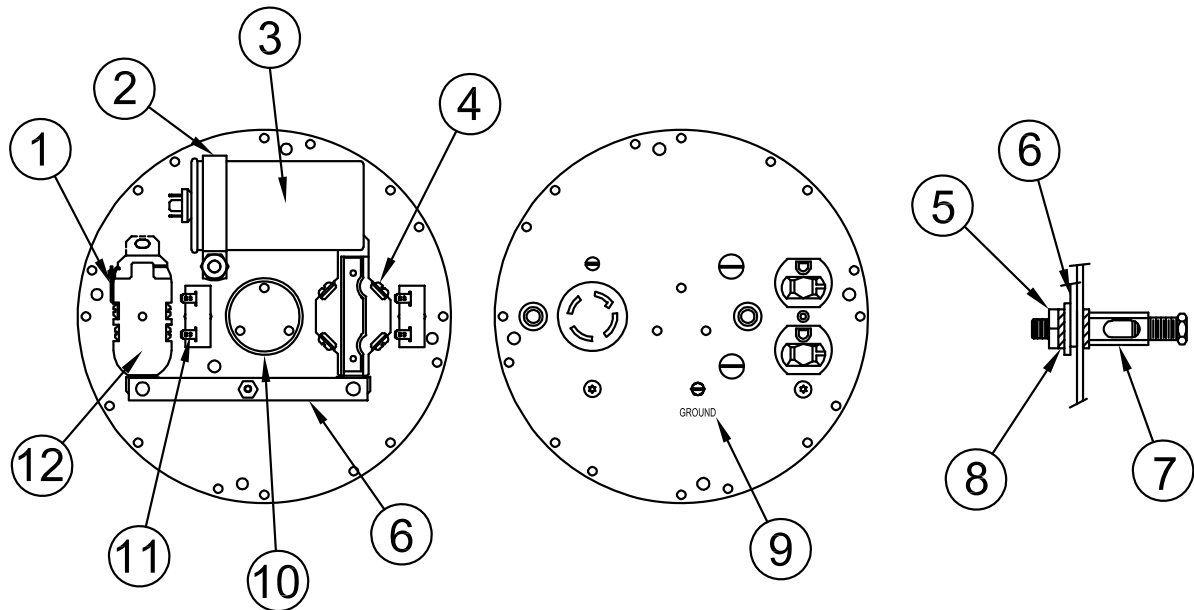
ENGINE & GENERATOR ASSEMBLY



| REF # | PART NUMBER | QTY | DESCRIPTION |
|-------|-------------------|-----|---|
| 1 | 468-000 | 2 | 5/16"-18 X 1.5" Bolt |
| 2 | 526-000 | 3 | Flat Washer |
| 3 | 480-000 | 4 | 5/16" Split Lock Washer |
| 4 | 491588S | 1* | Air Filter Cartridge |
| 5 | 16089-011 | 1 | Engine, Briggs & Stratton Model 201412-0115-E1 8 h.p. Intek |
| 6 | 63073-015 | 1 | Welded Cradle |
| 7 | 491055S | 1* | Spark Plug |
| 8 | 477-000 | 2 | 5/16"-18 X .63" Bolt |
| 9 | 15545-002 | 1 | Generator Support Bracket |
| 10 | 64062-000 | 4 | Shock Mount |
| 11 | 9769-145 | 1 | Lead Wire Assembly |
| 12 | 21698-001 | 1 | #10-24 X 3/8" Self Tapping |
| 13 | 23760-002 | 4 | 1.25" OD X .344 ID Flat Washer |
| 14 | 15209-003 | 1 | Danger Decal |
| * | B & S Part Number | | |

Briggs & Stratton parts list and manual available at:
http://www.briggsandstratton.com/maint_repair/manual_and_more/docsearch.aspx?enginelookfor=201412-0115-E1

BEARING BRACKET & RECEPTACLE ASSEMBLY

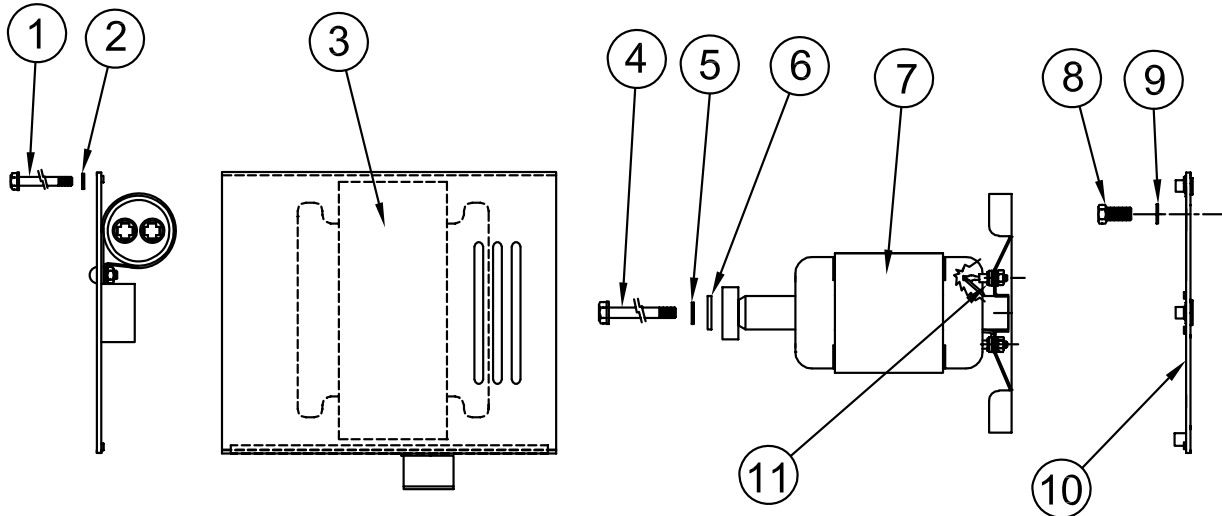


| REF # | PART NUMBER | QTY | DESCRIPTION |
|-------|-------------|-----|----------------------------|
| 1 | 41387-009 | 1 | Ground Strap |
| 2 | 15374-002 | 1 | Strap |
| 3 | 15051-000 | 1 | Capacitor, 40 μ 370VAC |
| 4 | 97360-000 | 1 | 30A 240V Receptacle |
| 5 | 456-000 | 1 | #10-24 Hex Nut |
| 6 | 64045-025 | 1 | Ground Strap |
| 7 | 48042-001 | 1 | Ground Lug |
| 8 | 21975-000 | 2 | #10 Lock Washer |
| 9 | 15750-000 | 1 | Ground Decal |
| 10 | 15122-000 | 1 | Tolerance Ring |
| 11 | 91286-001 | 2 | 20A Circuit Breaker |
| 12 | 50766-000 | 1 | 20A 120V Receptacle |

DECALS

| REF # | PART NUMBER | QTY | DESCRIPTION |
|-------|-----------------|-----|------------------|
| NI | 63941-001 | 1 | Hot Warning |
| NI | 15209-000 | 1 | Danger Decal Set |
| NI | 15370-013 | 1 | Model Decal |
| NI | 15370-000 | 1 | Dyna Decal |
| NI | Not Illustrated | | |

GENERATOR ASSEMBLY



| REF # | PART NUMBER | QTY | DESCRIPTION |
|-------|-------------|-----|----------------------|
| 1 | 15530-003 | 4 | 1/4"-20 Bolt |
| 2 | 479-000 | 4 | 1/4" Lock Washer |
| 3 | 15359-437 | 1 | Stator Assembly |
| 4 | 15529-001 | 1 | 5/16"-24 Bolt |
| 5 | 480-000 | 1 | Lock Washer |
| 6 | 23558-000 | 1 | Washer |
| 7 | 15359-421 | 1 | Rotor Assembly |
| 8 | 464-000 | 4 | Bolt |
| 9 | 481-000 | 4 | Lock Washer |
| 10 | 15367-000 | 1 | Engine Bracket |
| 11 | 15047-001 | 1 | Diode, Std. Polarity |

WINCO INC
A Division of DTE Dyna Technology Inc

225 S. CORDOVA AVE.
 LECENTER, MN 56057
 507-357-6821
 SERVICE DEPT.
 507-357-6831