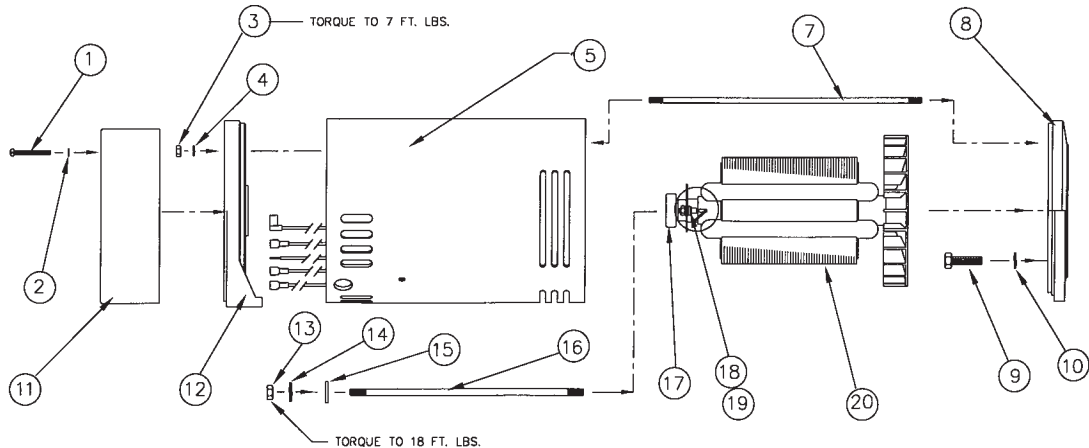


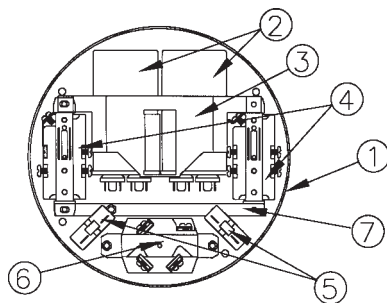
MODELS: DL6000IE/A

GENERATOR ASSEMBLY



| REF | PART NBR. | QTY | DESCRIPTION | REF | PART NBR. | QTY | DESCRIPTION |
|-----|------------|-----|------------------------------|-----|-----------|-----|--|
| 1 | 15013-000 | 4 | #10-32 X 3.5" Screw | 12 | 15015-002 | 1 | Bearing Bracket |
| 2 | 21975-00 0 | 4 | #10 Lockwasher | 13 | 15193-000 | 1 | 5/16" Hex Nut |
| 3 | 15192-000 | 4 | ¼ -20 Hex Nut | 14 | 480-001 | 1 | 5/16" Lockwasher |
| 4 | 479-000 | 4 | ¼ Lockwasher | 15 | 23558-000 | 4 | 5/16" X 1" DIA. X .125 THK Flat Washer |
| 5 | 15042-005 | 1 | Stator, Complete | 16 | 23197-009 | 1 | Generator Thru Bolt |
| 7 | 15068-008 | 4 | ¼ - 20 Stator Bolts | 17 | 50215-000 | 1 | Bearing |
| 8 | 15008-001 | 1 | Engine Mounting Bracket | 18 | 15047-001 | 1 | Diode, STD |
| 9 | 91658-003 | 4 | 3/8 - 16 X 1.5 Hex Head Bolt | 19 | 15047-002 | 1 | Diode, REV |
| 10 | 481-000 | 4 | 3/8" Lockwasher | 20 | 15045-007 | 1 | Rotor, Complete |
| 11 | 13642-000 | 1 | End Cover Assembly | | | | |

END COVER ASSEMBLY

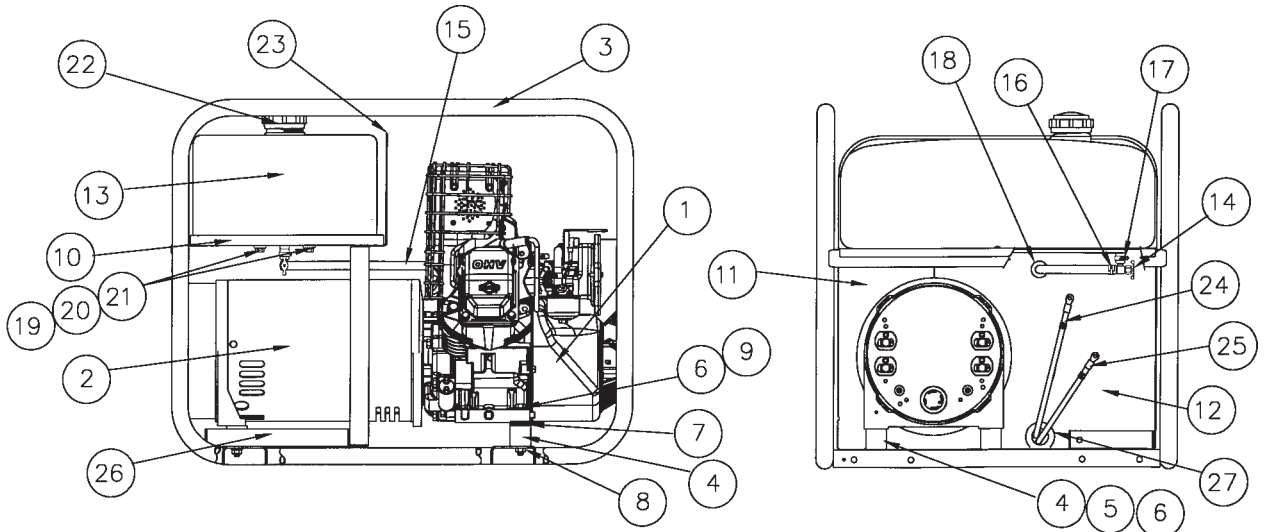


| REF # | Part Number | QTY | Description |
|-------|-------------|-----|---|
| 1 | 15050-000 | 1 | End Cover Bare |
| 2 | 15051-000 | 2 | Capacitor |
| 3 | 15088-000 | 1 | Capacitor Strap |
| 4 | 50766-000 | 2 | Duplex Receptacle 20 Amp - 120 Volt |
| 5 | 91286-006 | 2 | Circuit Breaker 25 Amp |
| 6 | 97360-000 | 1 | Receptacle (NEMA L14-30) 30 Amp - 120/240 Volt |
| 7 | 64045-029 | 1 | Ground Strap |

GENERATOR SPECIFICATIONS

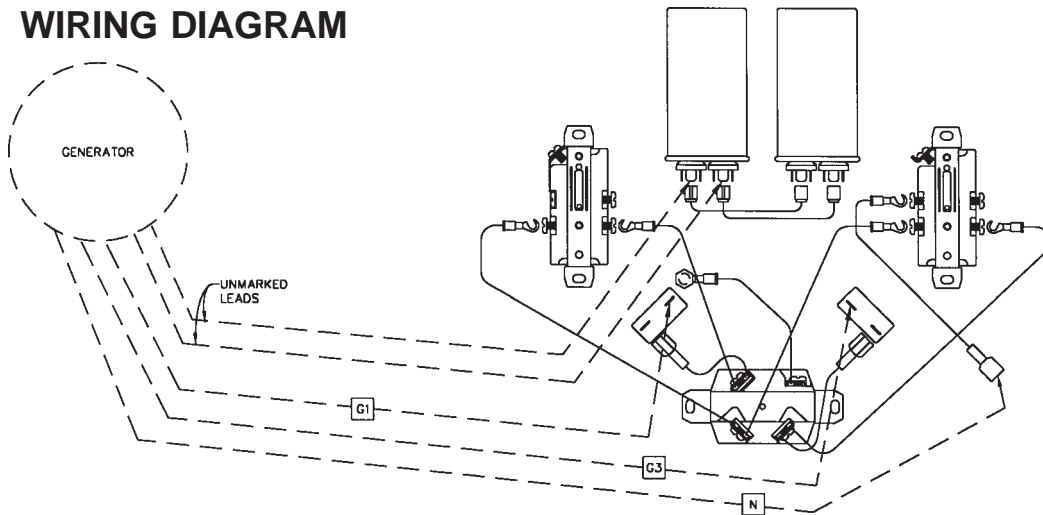
| | |
|----------------------|----------------|
| Rotor Resistance | 0.95-1.05 Ohms |
| G1 to N Resistance | 0.21-0.23 Ohms |
| G3 to N Resistance | 0.21-0.23 Ohms |
| Cap Leads Resistance | 0.53-0.58 Ohms |
| AC Residual Voltage | 7 VAC G1 to N |
| Winding Spec. | SS1532 |
| AC Connection | AC367 |

COMPLETE UNIT ASSEMBLY



| REF # | Part Number | QTY | Description | REF # | Part Number | QTY | Description |
|-------|-------------|-----|--------------------------------------|-------|-------------|-----|---------------------------------|
| 1 | 15635-005 | Ref | Engine | 14 | 98771-000 | 1 | Shut Off Valve |
| | 210417 | | Briggs Model | 15 | 40078-000 | 36" | Fuel Hose |
| | 0134-E1 | | Type & Code | 16 | 62999-001 | 2 | Hose Clamp |
| 2 | 15041-006 | Ref | Generator Assy | 17 | 81018-009 | 2 | Clamp |
| 3 | 63073-017 | 1 | Cradle | 18 | 23917-000 | 1 | Grommet |
| 4 | 64062-000 | 4 | Shock Mounts | 19 | 466-000 | 2 | Hex Head Bolt 1/4 - 20 X .75 |
| 5 | 465-000 | 2 | Hex Head Bolt 5/16 - 18 X 7/8 | 20 | 512-000 | 2 | 1/4 Flat Washer |
| 6 | 480-00 | 4 | 5/16 Lockwasher | 21 | 16133-000 | 2 | Leather Washer |
| 7 | 23760-002 | 4 | 1.25 O.D. X .344 I.D. Flat Washer | 22 | 15482-000 | 1 | Fuel Tank Cap |
| 8 | 16249-000 | 4 | 5/16 -18 Locknut | 23 | 58684-000 | 27" | Edge Trim |
| 9 | 468-000 | 2 | Hex Head Bolt 5/16 - 18 X 1.5 | 24 | 15767-016 | 1 | Pos. Battery Cable |
| 10 | 15462-009 | 1 | Fuel Tank Tray | 25 | 15767-009 | 1 | Neg. Battery Cable |
| 11 | 15223-011 | 1 | Left Support Panel | 26 | 15676-001 | 1 | Battery Tray |
| 12 | 15222-011 | 1 | Right Support Panel | 27 | 62486-000 | 1 | Grommet |
| 13 | 64024-000 | 1 | 4.5 Gal. Fuel Tank | NI | 15807-000 | 1 | Battery Hold Down Kit |

WIRING DIAGRAM



WINCO[®] INC
 A Division of DTE Dyna Technology Inc
 225 South Cordova Avenue
 Le Center MN 56057
 507-357-6831