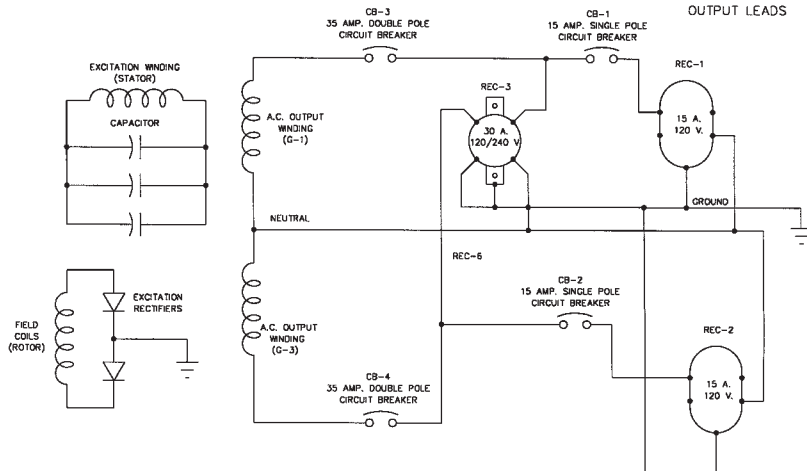
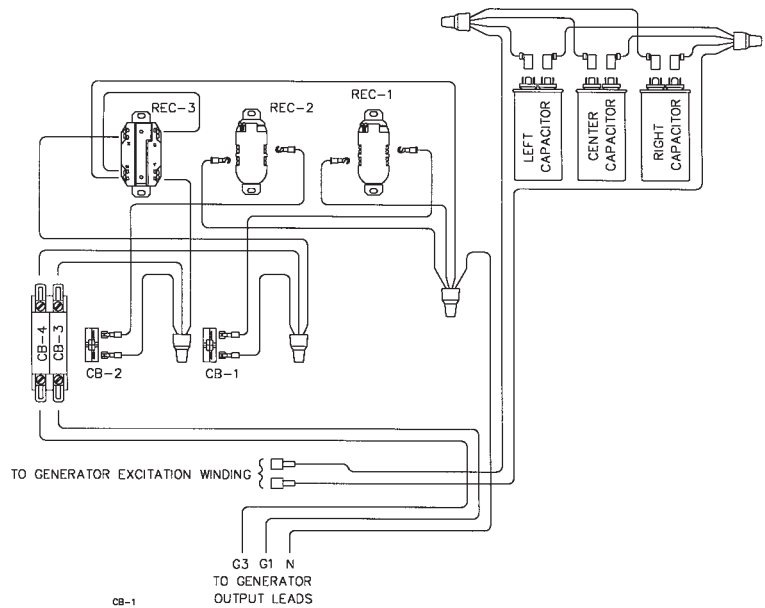


HOME POWER®

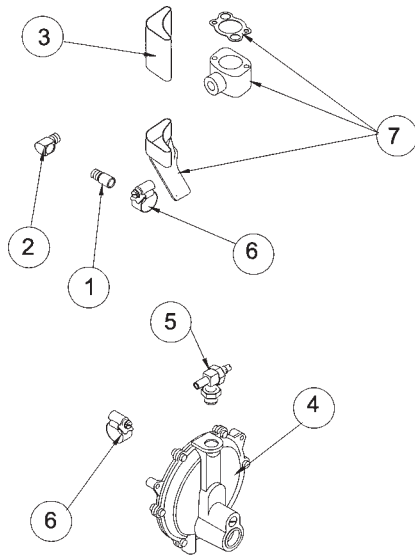
ILLUSTRATED PARTS LISTS

**MODEL: HPS9000E/A
HPS9000E/B**

CONTROL PANEL WIRING DIAGRAM



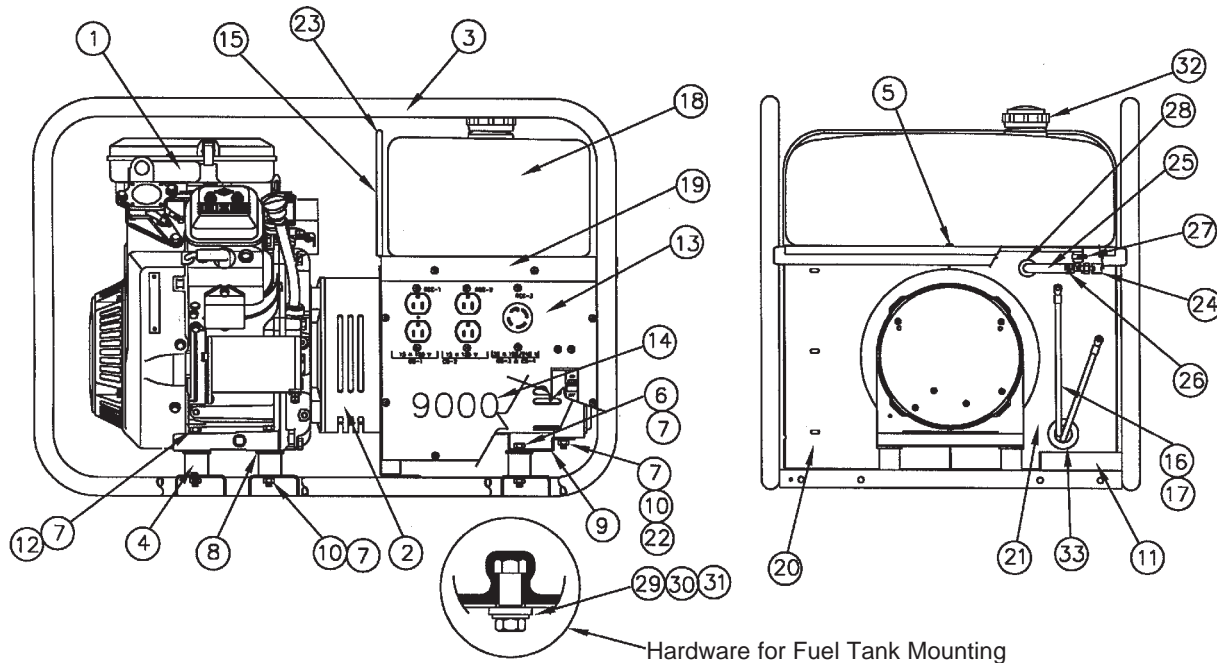
GENERATOR SCHEMATIC



VAPOR FUEL SYSTEM

| REF | PART NBR | QTY | DESCRIPTION |
|-----|-----------|-----|------------------|
| 1 | 23491-000 | 1 | Pipe Nipple |
| 2 | 22339-000 | 1 | Elbow |
| 3 | 15547-000 | 1 | Air Duct |
| 4 | 55559-000 | 1 | Demand Regulator |
| 5 | 55560-000 | 1 | Load Block |
| 6 | 81018-005 | 1 | Hose Clamp |
| 7 | 15279-000 | 1 | Vapor Fuel Kit |
| N/I | 23048-000 | 18" | Vapor Fuel Line |

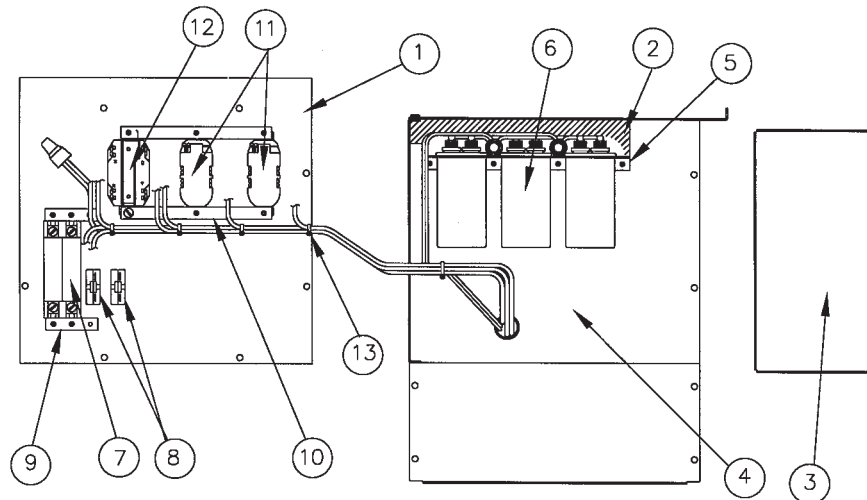
COMPLETE UNIT ASSEMBLY



| REF | PART NBR | QTY | DESCRIPTION |
|-----|-----------|------|-----------------------------------|
| 1 | 15456-000 | 1 | Engine (Briggs 303447-1042-E2) |
| 2 | 15041-020 | Ref. | Generator Unassembled |
| 3 | 63073-005 | 1 | Cradle |
| 4 | 64062-000 | 6 | Shockmounts |
| 5 | 21698-001 | 1 | #10 X 3/8 Self Tapping Screw |
| 6 | 477-000 | 2 | 5/16-18 X .63 Hex Head Bolt |
| 7 | 480-000 | 14 | 5/16 Split Lockwasher |
| 8 | 23760-000 | 6 | 1.50 O.D. X .344 I.D. Flat Washer |
| 9 | 15084-000 | 1 | Generator Support Bracket |
| 10 | 458-000 | 8 | 5/16 Hex Nut |
| 11 | 15676-001 | 1 | Battery Tray |
| 12 | 9416-000 | 4 | 5/16-18 X 1.75 Hex HD Bolt |
| 13 | 15457-025 | Ref. | Receptacle Box |
| 14 | 15370-011 | 1 | Model Decal |
| 15 | 64214-045 | 1 | Home Power Decal |
| 16 | 15767-006 | 1 | Pos. Battery Cable |
| 17 | 15767-007 | 1 | Neg. Battery Cable |
| 18 | 64024-000 | 1 | 4.5 Gallon Fuel Tank |
| 19 | 15462-011 | 1 | Fuel Tank Tray |
| 20 | 15223-007 | 1 | Left Support Panel |
| 21 | 15222-014 | 1 | Right Support Panel |
| 22 | 580-000 | 2 | 5/16 - 18 X 1.25 Hex Head Bolt |
| 23 | 58684-000 | 30 " | Edge Trim |
| 24 | 98771-000 | 1 | Fuel Line Valve |

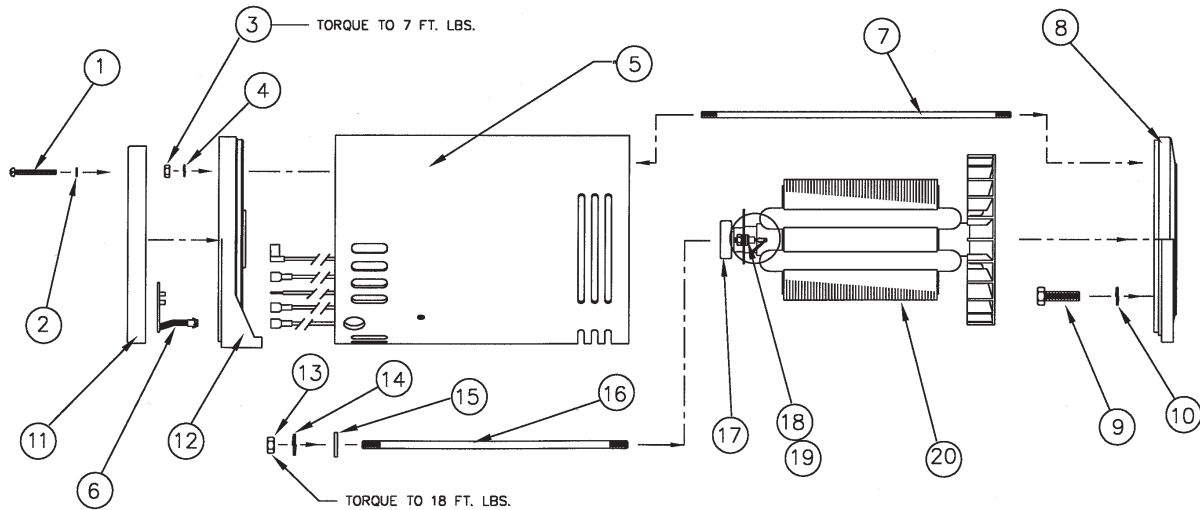
| REF | PART NBR | QTY | DESCRIPTION |
|-----|-----------|-----|---------------------------------------|
| 25 | 40078-000 | 26" | Fuel Hose |
| 26 | 62999-001 | 2 | Hose Clamp |
| 27 | 81018-008 | 1 | Clamp |
| 28 | 23917-000 | 1 | Grommet |
| 29 | 466-000 | 2 | 1/4-20 X .75 Hex HD Bolt |
| 30 | 512-000 | 2 | 1/4 Flat Washer |
| 31 | 16133-000 | 2 | 3/4 O.D. X 1/4 I.D. X 1/8 Flat Washer |
| 32 | 15482-000 | 1 | Fuel Cap |
| 33 | 62486-000 | 1 | Grommet |
| NI | 63941-001 | 1 | Hot Warning Decal |
| NI | 15209-000 | 1 | Danger Decal Set. |
| NI | 15807-000 | 1 | Battery Hold Down Kit |

CONTROL PANEL ASSEMBLY



| REF | PART NBR | QTY | DESCRIPTION |
|-----|-----------|-----|-----------------------------|
| 1 | 15458-007 | 1 | Front Panel (bare) |
| 2 | 15167-000 | 1 | Foam |
| 3 | 15221-002 | 1 | End Panel |
| 4 | 15221-005 | 1 | Bottom, Top and Back Panel |
| 5 | 15226-000 | 1 | Capacitor Clamp |
| 6 | 15051-000 | 3 | Capacitor |
| 7 | 57030-003 | 1 | 35 A, 240 v Circuit Breaker |
| 8 | 91286-001 | 2 | 20 A, 120 V Circuit Breaker |
| 9 | 64045-012 | 2 | Mounting Strap |
| 10 | 64045-006 | 2 | Mounting Strap |
| 11 | 50766-000 | 2 | 20 A. 120 V Receptacle |
| 12 | 97360-000 | 1 | 30 A. 120/240 V Receptacle |
| 13 | 49975-010 | 15 | Cable Ties |

GENERATOR PARTS LIST



| REF | PART NBR | QTY | DESCRIPTION |
|-----|------------------------|-----|---------------------------|
| 1 | 15013-001 | 4 | #10-32 X 1.75 Screw |
| 2 | 21975-000 | 4 | #10 Lockwasher |
| 3 | 15192-000 | 4 | 1/4-20 Hex Nut |
| 4 | 479-000 | 4 | 1/4 Lockwasher |
| 5 | 15091-009 | 1 | Stator |
| 6 | Not Used on This Model | | |
| 7 | 15068-010 | 4 | 1/4-20 Stator Bolt |
| 8 | 15008-000 | 1 | Engine Mtg Brkt |
| 9 | 91658-003 | 4 | 3/8-16 X 1.5 Cap Screw |
| 10 | 481-000 | 4 | 3/8 Lockwasher |
| 11 | 15085-000 | 1 | End Cover |
| 12 | 15156-003 | 1 | Bearing Brkt |
| 13 | 15193-000 | 1 | 5/16-20 Hex Nut |
| 14 | 480-001 | 1 | 5/16 Lockwasher |
| 15 | 23558-000 | 1 | 11/32 x 1 1/8 Flat Washer |
| 16 | 23197-028 | 1 | 1/16 X 12 1/8 Thru Bolt |
| 17 | 50215-000 | 1 | Bearing |
| 18 | 15255-001 | 1 | Diode (std) |
| 19 | 15255-002 | 1 | Diode (rev) |
| 20 | 15045-009 | 1 | Rotor, Complete |

GENERATOR SPECIFICATIONS

| | |
|---------------------|------------------|
| Rotor | 0.73 Ohms |
| G1 to N | 0.125 Ohms |
| G3 to N | 0.125 Ohms |
| Capacitor Leads | 0.23 Ohms |
| AC Residual Voltage | 7.0 VAC G1 to G3 |
| Winding Spec. | SS#1538 |
| AC Connection | AC#367 |

WINGO[®] INC
A Division of DTF Dyna Technology Inc

225 South Cordova Avenue
 Le Center MN 56057
 507-357-6831