

## DP2000/L, \*DP3000/L, DP3000/M

REF #	DESCRIPTION	PART #	2000 QTY	3000 QTY		
1	100	ENGINE - B&S 80232-4820	15188-000	1	--	1
2		ENGINE - B&S130232-5502 *	15189-000	--	1	2
3	198	SPARK ARRESTER (ON MUFLR)	58596-000	1	1	3
4	199	EXHAUST DFLCTR (ON MUFLR)	15245-000	1	--	4
5		EXHAUST DFLCTR (ON MUFLR)	58935-000	--	1	5
6						6
7	248	RECEPT. - 120V 5-15R	24749-001	2	2	7
8	258	CIRCUIT BREAKER - 15A	64230-000	1	2	8
9						9
10	280	CAPACITOR (40mfd/370V)	15051-000	1	1	10
11	290	END COVER ASSY W/RECEP	15119-000	1	--	11
12		END COVER ASSY W/RECEP	15087-000	--	1	12
13	291	END COVER (BARE)	15133-000	1	--	13
14		END COVER (BARE)	15050-000	--	1	14
15						15
16	502	THRU-BOLT	15011-006	1	1	16
17	511	END BRACKET - ENG END	15053-001	1	1	17
18	512	END BRACKET - BRG END	15015-001	1	1	18
19						19
20	514	STATOR ASSEMBLY	15093-000	1	1	20
21	530	ROTOR ASSY W/BRG & FAN	15045-003	1	1	21
22	532	BEARING	55223-000	1	1	22
23						23
24	601	CRADLE	15072-000	1	1	24
25	602	ENGINE SUPPORT BAR	62832-000	1	1	25
26	603	SHOCK MOUNT	71605-003	4	4	26
27						27
28	901	DECAL - WARNING	63888-000	1	1	28
29	902	DECAL - DP2000	64214-023	1	--	29
30		DECAL - DP3000	64214-011	--	1	30
31	905	DECAL - USA/ENERGX	64215-000	1	1	31
32						32
33	906	NAMEPLATE	63966-000	1	1	33
34	998	OPERATORS MANUAL	60707-018	1	1	34
35						35
36	500	GEN. ASSY. - COMPLETE	15041-002	1	--	36
37		GEN. ASSY. - COMPLETE	15041-003	--	1	37
38	000	COMPLETE UNIT ASMBLY.	15180-000	#	--	38
39		COMPLETE UNIT ASMBLY /L	15096-000	--	#	39
40		COMPLETE UNIT ASMBLY /M	15180-001	--	#	40
41						41
42		* DP3000/L and DP3000/M were same except for engine.				42
43		P/N 15189 engine REPLACES P/N 64254 on /L MODELS.				43
44						44
45						45
46		FOLLOWING INFORMATION IS FOR REFERENCE ONLY				46
47	535	FAN	15136-001	1	1	47
48	566	RECTIFIER - STD POLARITY	15047-001	1	1	48
49	567	RECTIFIER - REV POLARITY	15047-002	1	1	49

DP2000/L, \*DP3000/L, DP3000/M

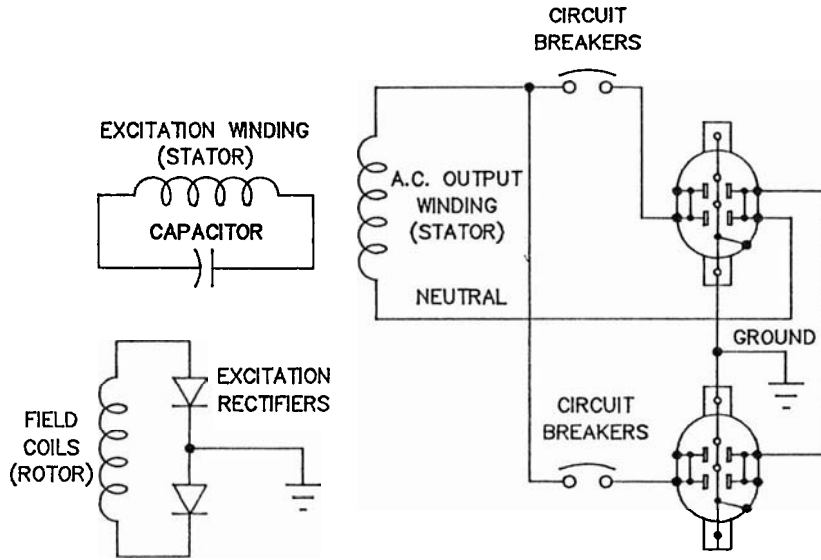
REF #	DESCRIPTION	PART #	2000 QTY	3000 QTY
-------	-------------	--------	-------------	-------------

UNIT MODEL SERIES	DP2000/L	DP3000/L, /M
AC RESIDUAL VOLTS	7.0 VAC L-L	7.0 VAC L-L
FIELD RESISTANCE	1.9 OHMS	1.9 OHMS
SCHEMATIC DIAGRAM	B-15135	B-15135
WINDING SPEC (SS#)	1530	1530
ARM CONNECTION (AC#)	369	369

A-15135

REVISION RECORD

ISSUE	E.C.O. NO.	DESCRIPTION	DATE	BY	APPR.
2	---	REDRAWN FROM "B" SIZE ON CADD	7-11-91	E.F.	



<b>UNLESS OTHERWISE SPECIFIED</b>		MACHINED SURFACE TEXTURE	ALL DIMENSIONS GIVEN IN INCHES			
FRACTIONS ±	---		WORK TO DIMENSIONS			
1. PLACE DEC. ±		ANGULAR ± 1.5°	- DO NOT SCALE -			
2. PLACE DEC. ± .031						
3. PLACE DEC. ± .005						
THIS DRAWING CONTAINS PROPRIETARY INFORMATION BELONGING TO WINCO, UNAUTHORIZED USE IS PROHIBITED.	DRAWN BY	DATE	CH'KD BY	DATE	APP'D BY	SCALE
	E.D.F.	7-11-91	ZR	7/21/91		1"=2"
	MATERIAL: -----					
	FINISH	-----	TITLE			
	ASS'Y	15041	SCHEMATIC			
MODEL	DP3000	PART NO.				
<b>WINCO</b> ® INCORPORATED					A-15135	