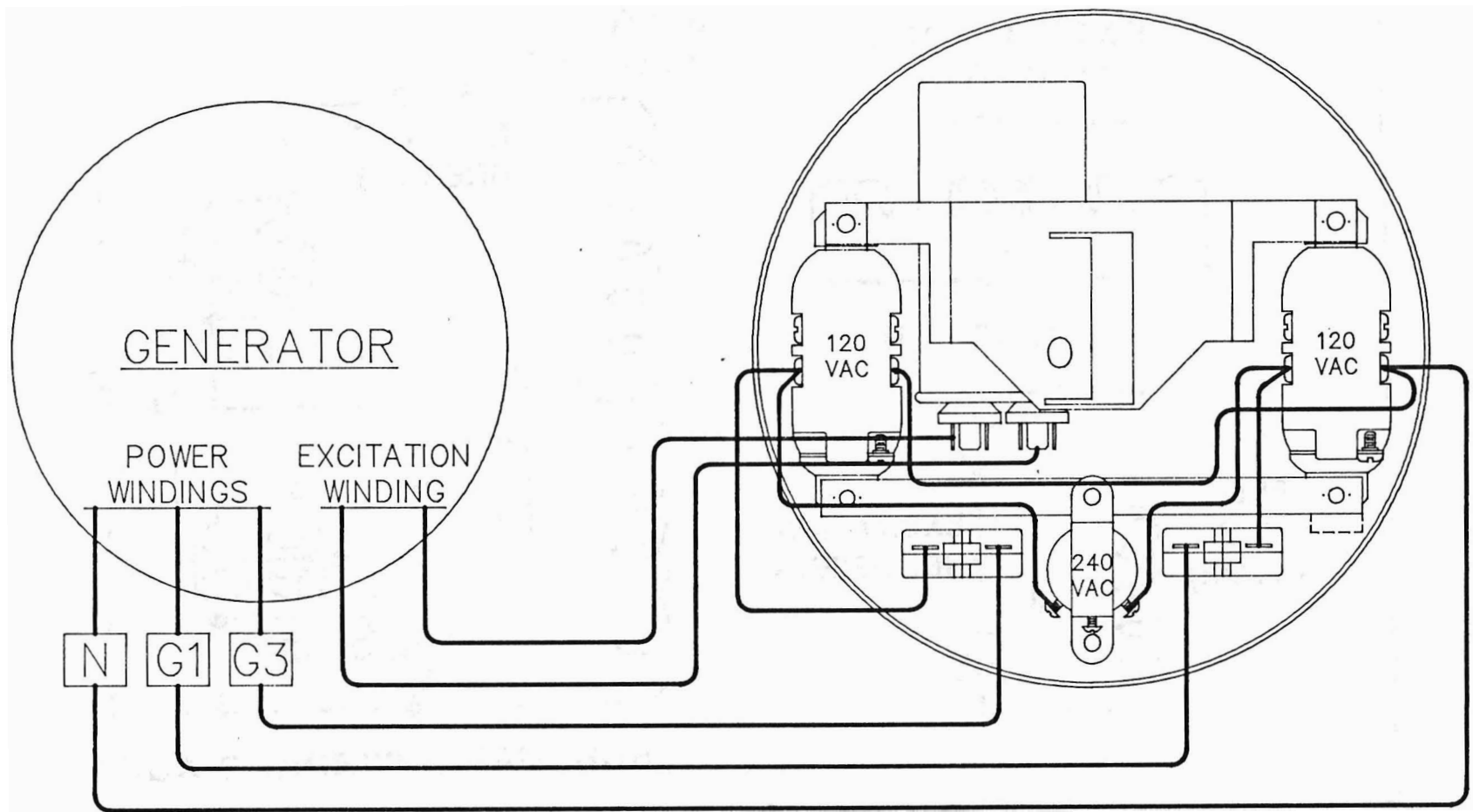


DP4500/L. /M. DP4500E/L. /M. DP6000E/L

REF #	DESCRIPTION	PART #	4500 : OTY	4500E : OTY	6000E : OTY		
1	100	ENGINE - B&S190412-3116	15059-000	1	--	--	1
2		ENGINE - B&S190412-3115	15061-000	--	1	--	2
3		ENGINE - B&S252417-5145	15082-000	--	--	1	3
4	105	AIR-CLEANER BRACE	15058-000	1	1	--	4
5							5
6	248	RECEPT. - 120V 5-15R	24749-001	2	2	2	6
7	249	RECEPT. - 240V 6-20R	64111-000	1	1	1	7
8	258	CIRCUIT BREAKER - 15A	64230-000	2	2	--	8
9	259	CIRCUIT BREAKER - 20A	64230-001	--	--	2	9
10							10
11	280	CAPACITOR (40mfd/370V)	15051-000	1	1	2	11
12	290	END COVER ASSY W/RECEP	15049-000	1	1	--	12
13		END COVER ASSY W/RECEP	15109-000	--	--	1	13
14	291	END COVER (BARE)	15050-000	1	1	1	14
15							15
16	502	THRU-BOLT	15011-003	1	1	--	16
17		THRU-BOLT	15011-004	--	--	1	17
18	511	END BRACKET - ENG END	15008-001	1	1	1	18
19	512	END BRACKET - BRG END	15015-001	1	1	1	19
20							20
21	514	STATOR ASSEMBLY /L	15042-004	1	1	--	21
22		STATOR ASSEMBLY /M	15042-010	1	1	--	22
23		STATOR ASSEMBLY	15042-005	--	--	1	23
24	530	ROTOR ASSY W/BRG & FAN /L	15045-004	1	1	--	24
25		ROTOR ASSY W/BRG & FAN /M	15045-010	1	1	--	25
26		ROTOR ASSY W/BRG & FAN	15045-007	--	--	1	26
27	532	BEARING	55223-000	1	1	--	27
28							28
29	601	CRADLE	15066-000	1	1	--	29
30		CRADLE	15070-000	--	--	1	30
31	602	GENERATOR SUPPORT BKT.	15039-000	1	1	1	31
32	603	SHOCK MOUNT	64062-000	3	3	3	32
33	821	BATTERY RACK KIT	15063-000	1	1	1	33
34							34
35	901	DECAL - WARNING	63888-000	1	1	1	35
36	902	DECAL - DP4500	64214-004	1	--	--	36
37		DECAL - DP4500E	64214-005	--	1	--	37
38		DECAL - DP6000E	64214-006	--	--	1	38
39	905	DECAL - USA/ENERGX	64215-000	1	1	1	39
40							40
41	906	NAMEPLATE	63966-000	1	1	1	41
42	910	PACK GROUP	64206-008	1	1	--	42
43		PACK GROUP	64206-010	--	--	1	43
44	998	OPERATORS MANUAL	60707-016	1	1	1	44
45							45
46							46



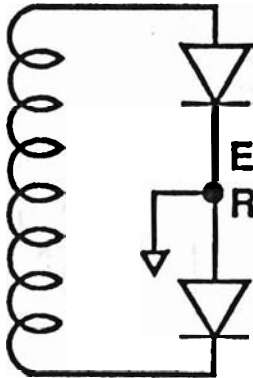
15049

**EXCITATION  
WINDING  
(STATOR)**



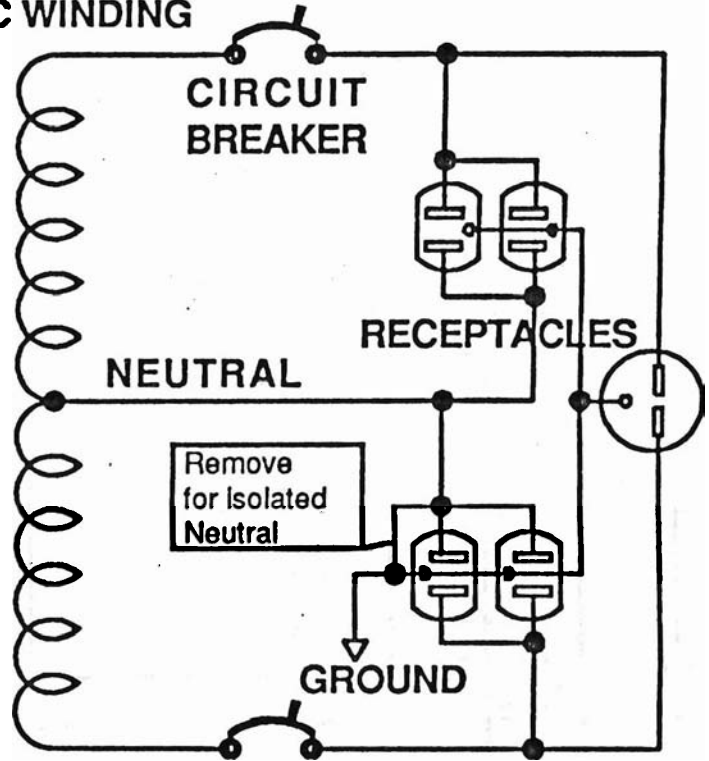
**CAPACITOR**

**FIELD  
COILS  
(ROTOR)**



**EXCITATION  
RECTIFIERS**

**MAIN  
STATOR  
AC WINDING**



**SCHEMATIC WIRING DIAGRAM**