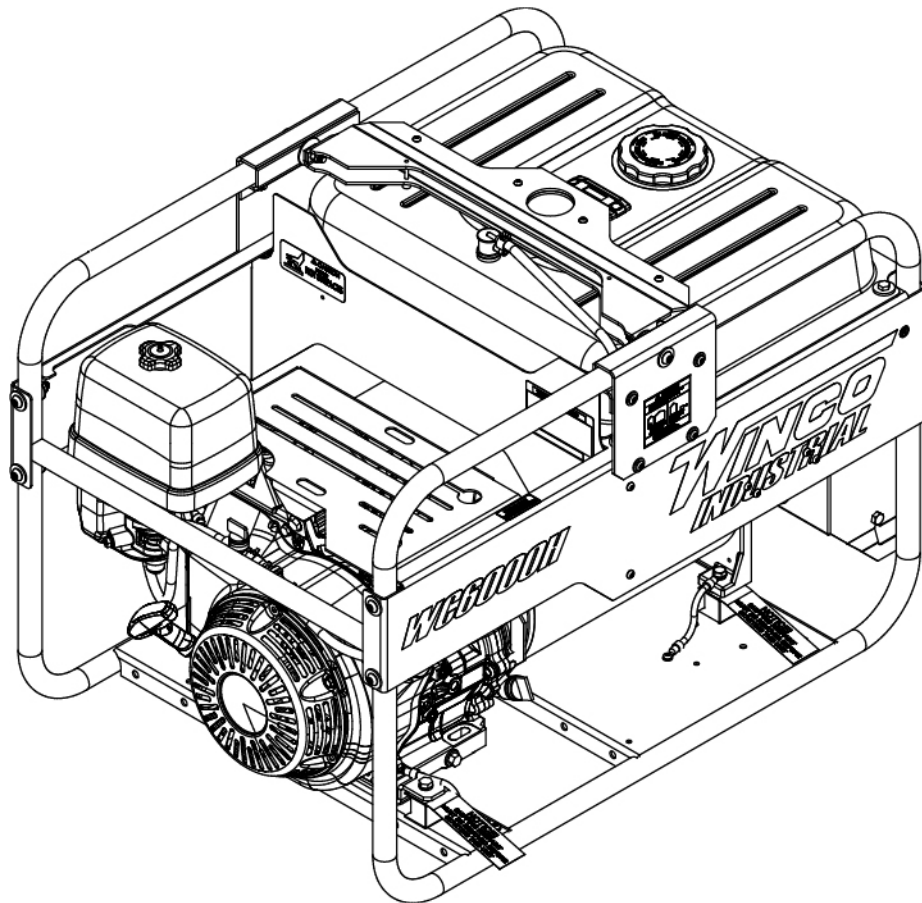


WINCO INC[®]

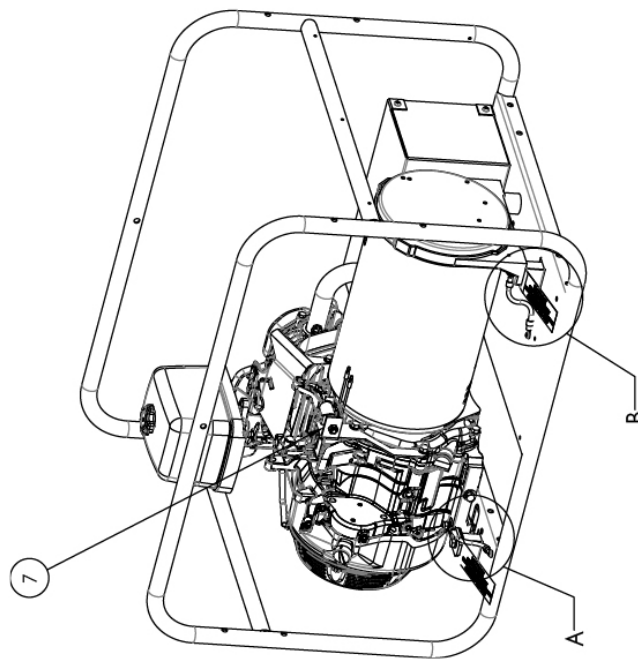
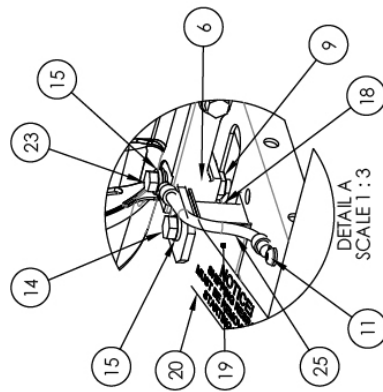
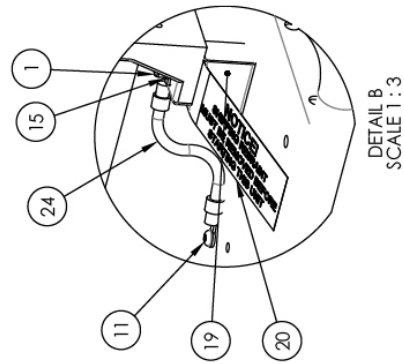
ILLUSTRATED PARTS LIST

WC6000HE/E

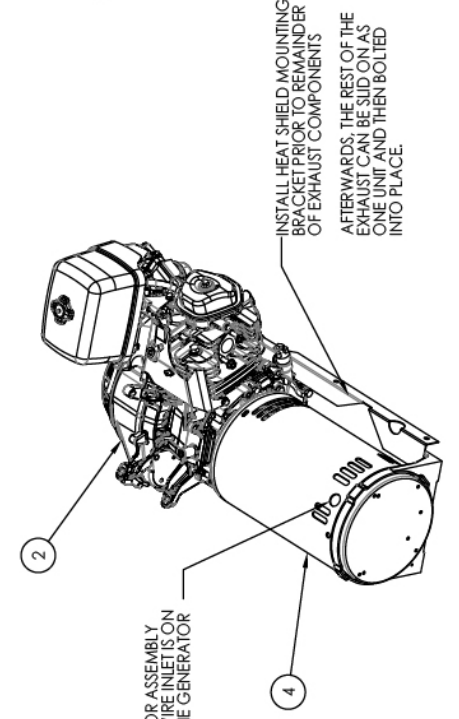
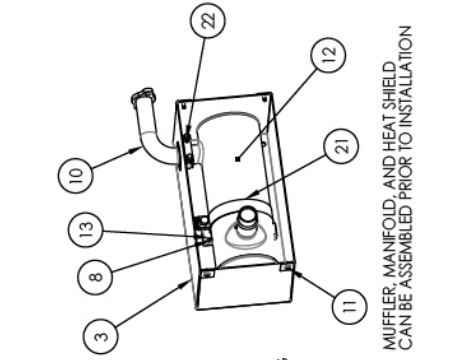
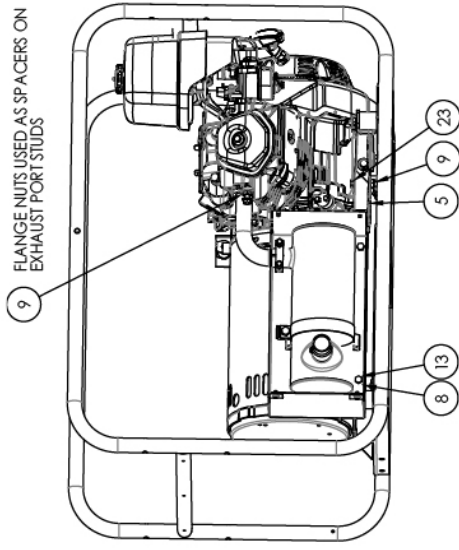


**WINCO INC.
225 S. CORDOVA AVE.
LE CENTER, MN 56057
(507) 357-6821
SERVICE DEPT.
(507) 357-6831
wincogen.com**

ENGINE / GENERATOR ASSEMBLY



ENGINE / GENERATOR ASSEMBLY



9 FLANGE NUTS USED AS SPACERS ON EXHAUST PORT STUDS

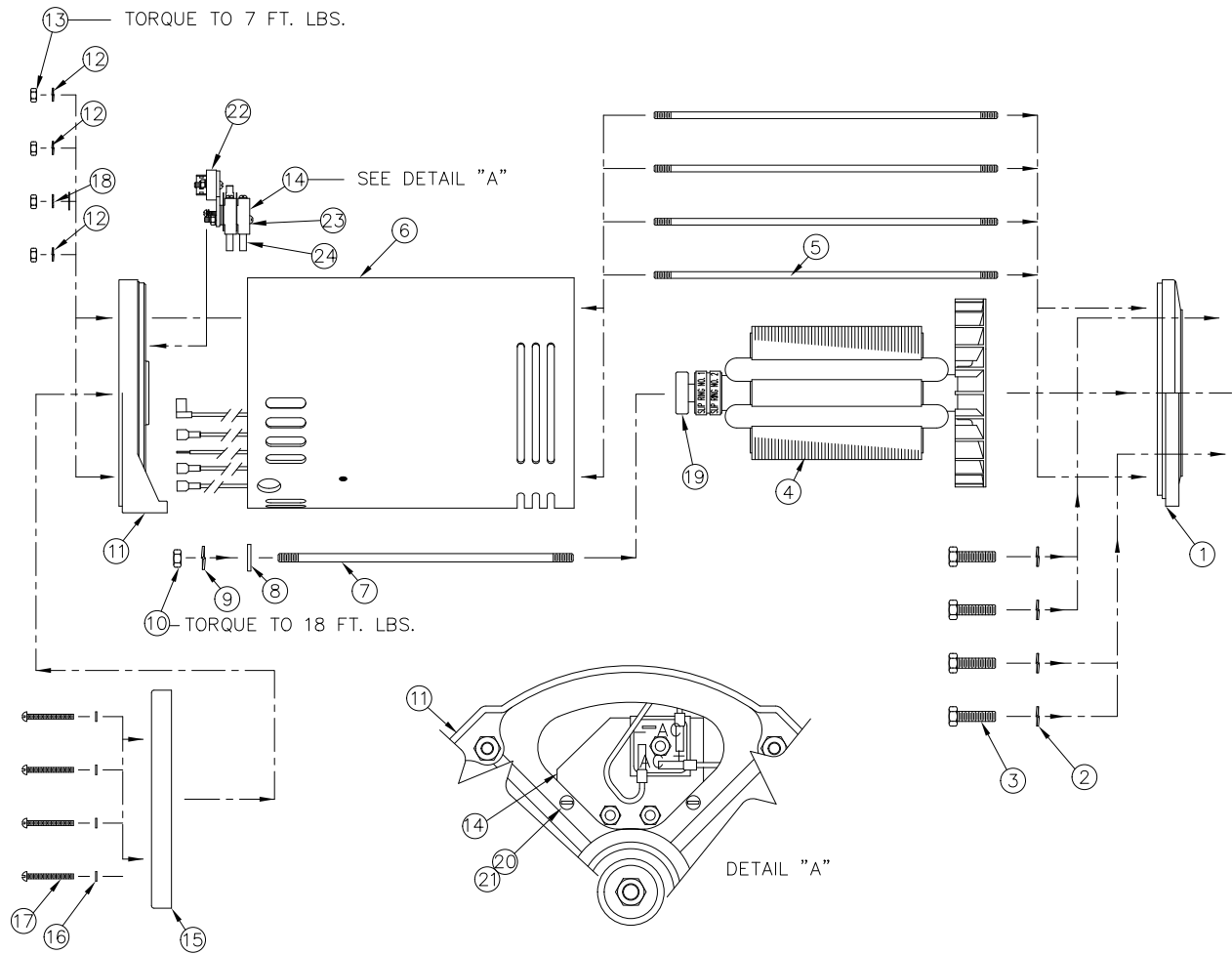
INSTALL HEAT SHIELD MOUNTING BRACKET PRIOR TO REMAINDER OF EXHAUST COMPONENTS
AFTERWARDS, THE REST OF THE EXHAUST CAN BE SID ON AS ONE UNIT AND THEN BOLTED INTO PLACE.

MUFFLER, MANIFOLD, AND HEAT SHIELD CAN BE ASSEMBLED PRIOR TO INSTALLATION

NOTE:
DURING GENERATOR ASSEMBLY ORIENT SHELL SO WIRE INLET IS ON THE TOP SIDE OF THE GENERATOR

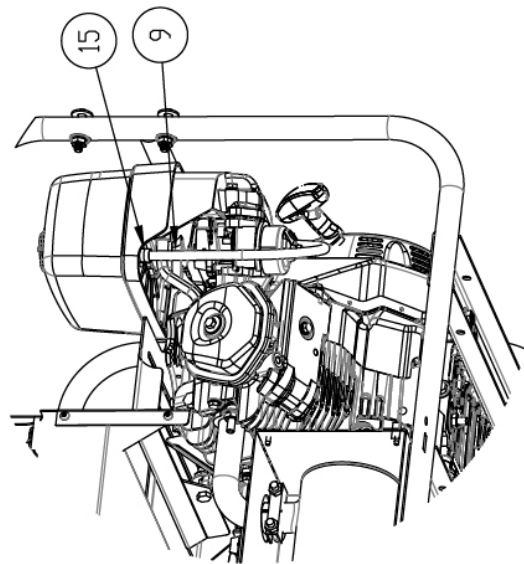
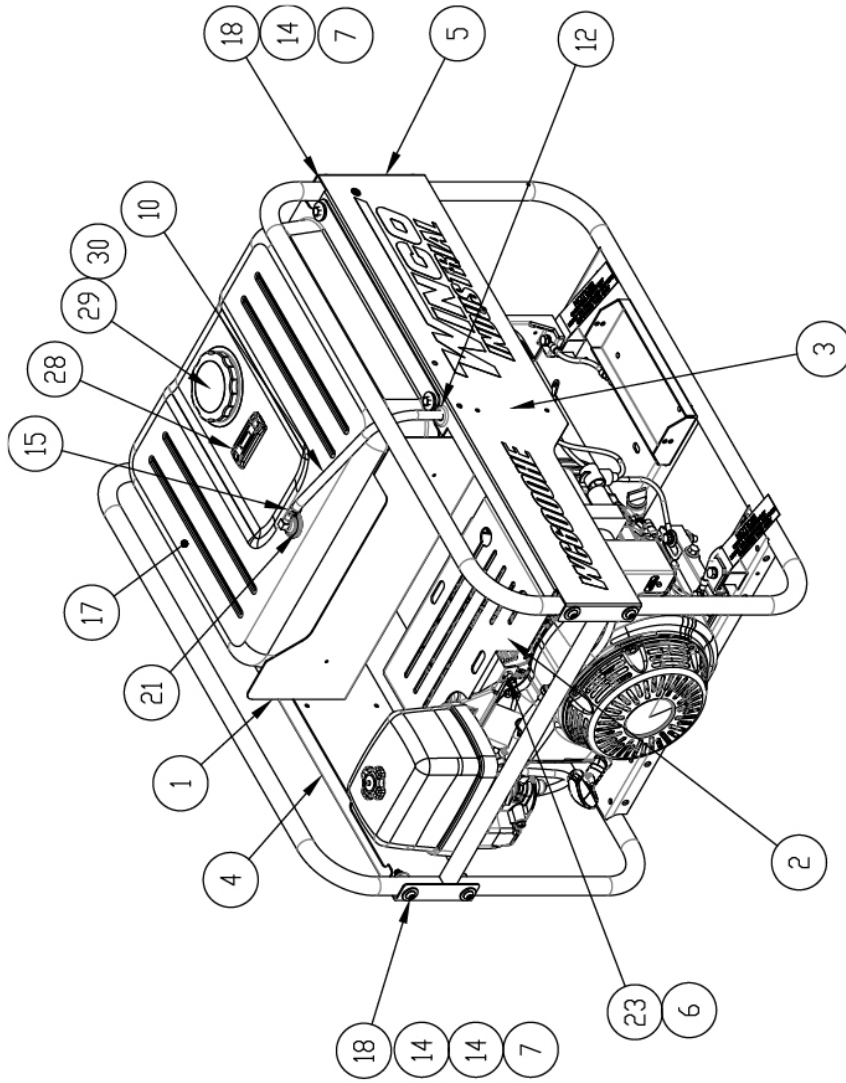
| REF # | PART NUMBER | QTY | DESCRIPTION |
|-------|-----------------|-----|--|
| 1 | 1116-000 | 2 | 5/16-18 X 1 Bolt |
| 2 | 15428-000 | 1 | Engine, Honda Model: GX340 RT2VWE2 Code: GCBET |
| 3 | 15687-013 | 1 | Heat Shield |
| 4 | 15532-006 | 1 | Generator Assembly |
| 5 | 15687-014 | 1 | Heat Shield Mounting Bracket |
| 6 | 15929-004 | 1 | Engine Shock Mount Adapter |
| 7 | 16178-002 | 1 | Idle Control Installation |
| 8 | 16248-000 | 4 | .25-20 Flange Nut |
| 9 | 16249-000 | 9 | 5/16-18 Flange Nut |
| 10 | 16479-004 | 1 | Exhaust Manifold |
| 11 | 21698-001 | 6 | Torx Screw |
| 12 | 350590-11 | 1 | Muffler |
| 13 | 463-000 | 4 | .25-20 X .5 Bolt |
| 14 | 477-000 | 2 | 5/16-18 X 5/8 Bolt |
| 15 | 480-000 | 6 | 5/16 Lock Washer |
| 16 | 526-000 | 1 | Flat Washer |
| 17 | 63073-043 | 1 | Cradle |
| 18 | 64062-000 | 4 | Shock Mount |
| 19 | 64157-011 | 2 | Shipping Bracket |
| 20 | 64158-000 | 2 | Tag – Shipping Bracket |
| 21 | 93484-012 | 1 | Muffler Mounting Bracket |
| 22 | 93489-018 | 1 | Muffler Clamp |
| 23 | 9416-000 | 3 | 5/6-18 X 1.75 Bolt |
| 24 | 9769-145 | 2 | Lead Wire Assembly |
| NI | 15769-002 | 1 | Spark Arrestor |
| NI | BPR6ES | 1* | NGK Spark Plug |
| NI | 17210-ZE3-010 | 1** | Air Cleaner |
| NI | 17218-ZE3-505 | 1** | Outer Air Cleaner |
| NI | 15428-100 | 1 | Keys for Engine (set of two) |
| * | NGK Part # | | |
| ** | Honda Part # | | |
| NI | Not Illustrated | | |

GENERATOR ASSEMBLY

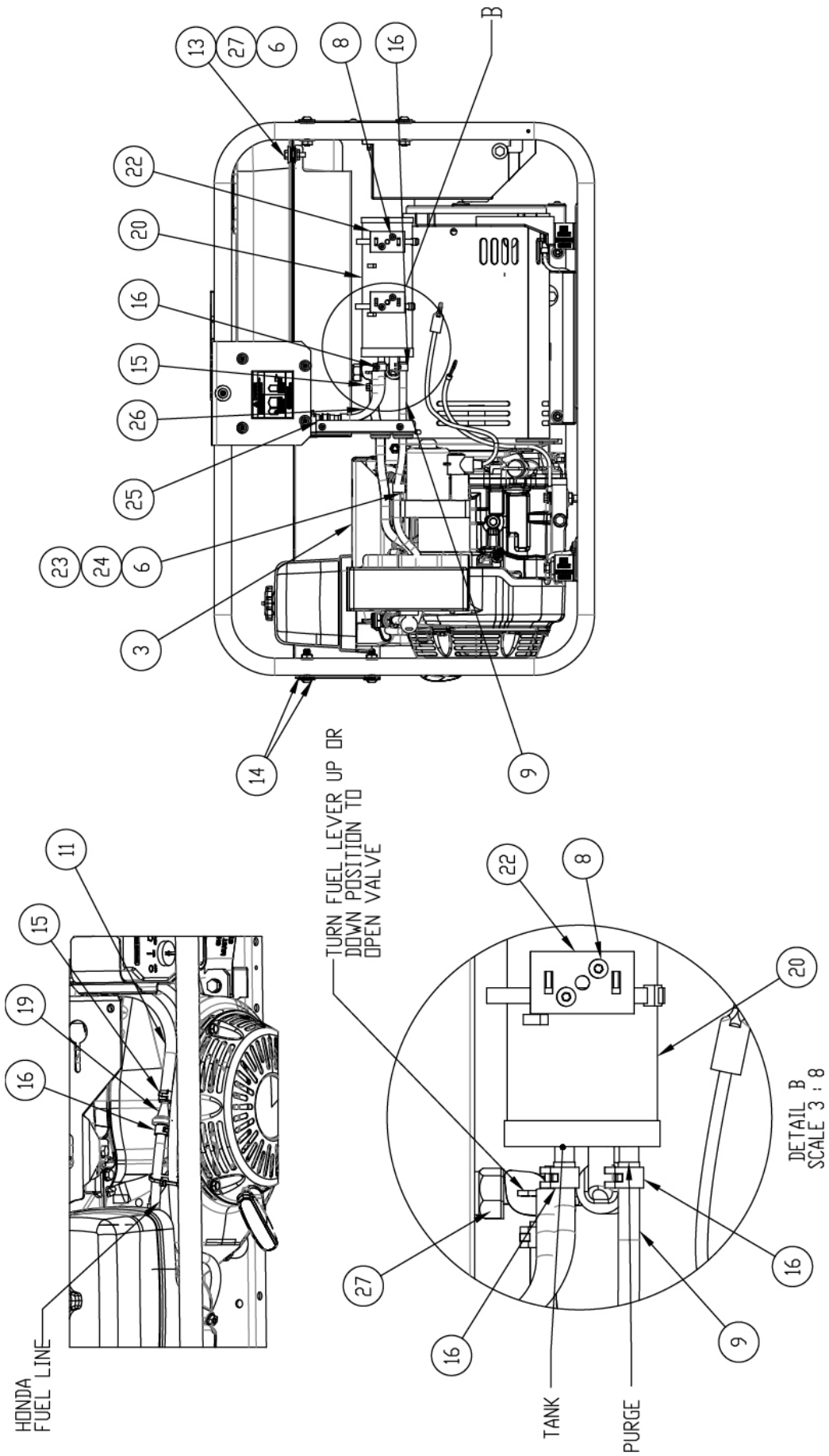


| REF # | PART NUMBER | QTY | DESCRIPTION |
|-------|-------------|-----|--------------------------------|
| 1 | 15008-000 | 1 | Engine Bracket |
| 2 | 481-000 | 4 | Split Lock Washer |
| 3 | 91658-003 | 4 | 3/8-16 X 1.5 Bolt |
| 4 | 15522-002 | 1 | Rotor Assembly |
| 5 | 15068-009 | 4 | 1/4-20 Threaded Stud |
| 6 | 15528-002 | 1 | Stator Assembly |
| 7 | 23197-026 | 4 | 5/16-24 Threaded Stud |
| 8 | 23558-000 | 1 | Flat Washer |
| 9 | 480-001 | 1 | 5/16 Split Lock Washer |
| 10 | 15193-000 | 1 | 5/16-24 Hex Nut |
| 11 | 15533-002 | 1 | Bearing Bracket |
| 12 | 479-000 | 3 | 1/4 Split Lock Washer |
| 13 | 15192-000 | 4 | 1/4-20 Hex Nut |
| 14 | 15523-000 | 1 | Brush Holder Assembly |
| 15 | 15085-000 | 1 | End Cover |
| 16 | 21975-000 | 4 | #10 Internal Tooth Lock Washer |
| 17 | 15013-001 | 4 | #10-32 X 1.75 Rnd Head Screw |
| 18 | 4516-000 | 1 | Star Lock Washer |
| 19 | 50215-000 | 1 | Bearing |
| 20 | 24988-000 | 2 | #6-32 X .5 Screw |
| 21 | 566-000 | 2 | #6 Split Lock Washer |
| 22 | 53976-000 | 1 | Bridge Rectifier |
| 23 | 59690-000 | 2 | Brush Holder |
| 24 | 23607-000 | 2 | AC Brush |

FUEL SYSTEM ASSEMBLY

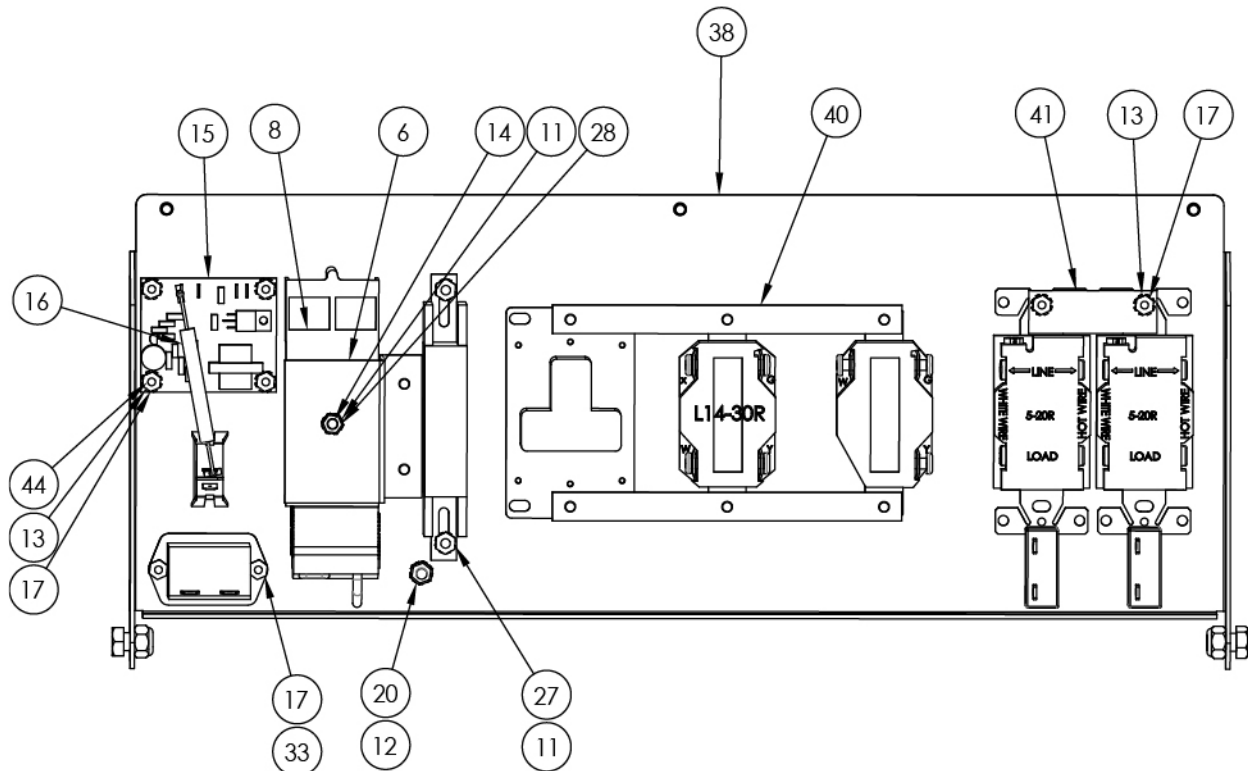
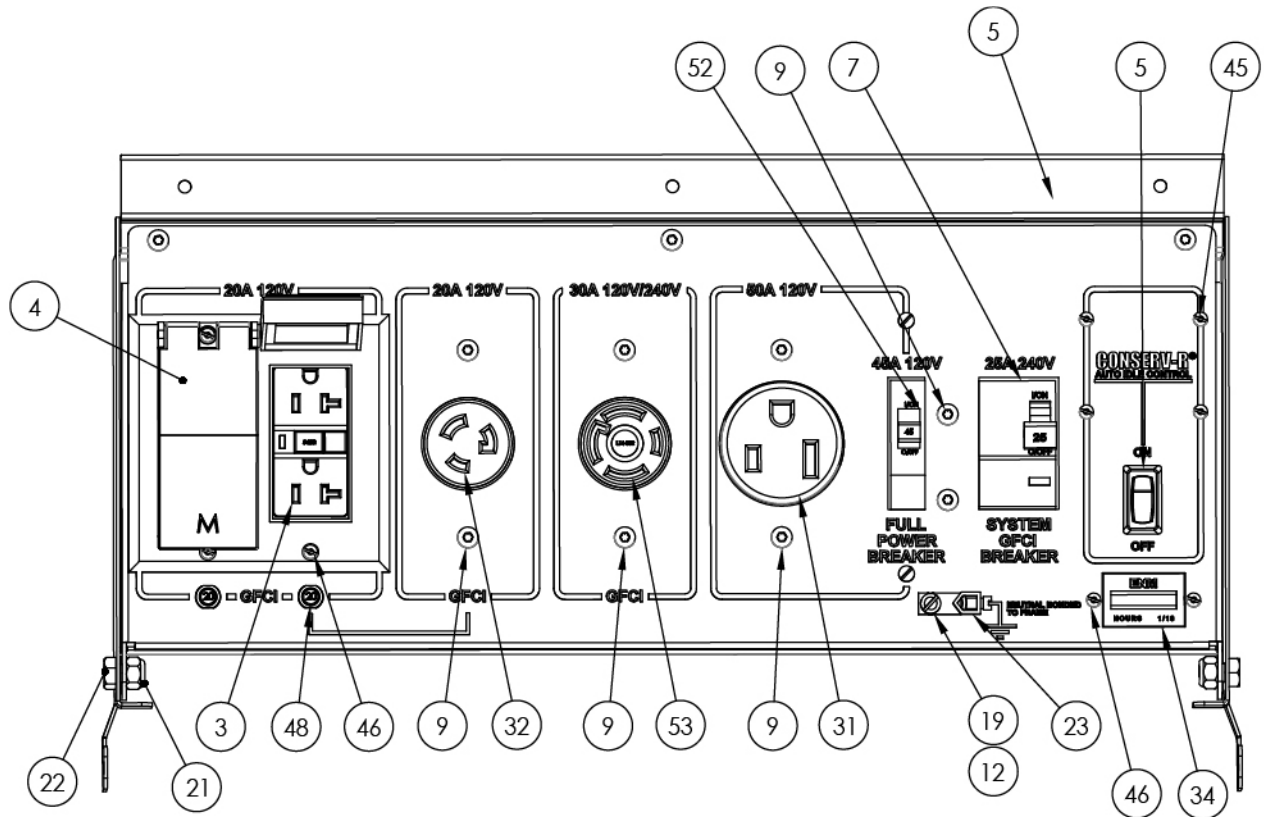


FUEL SYSTEM ASSEMBLY



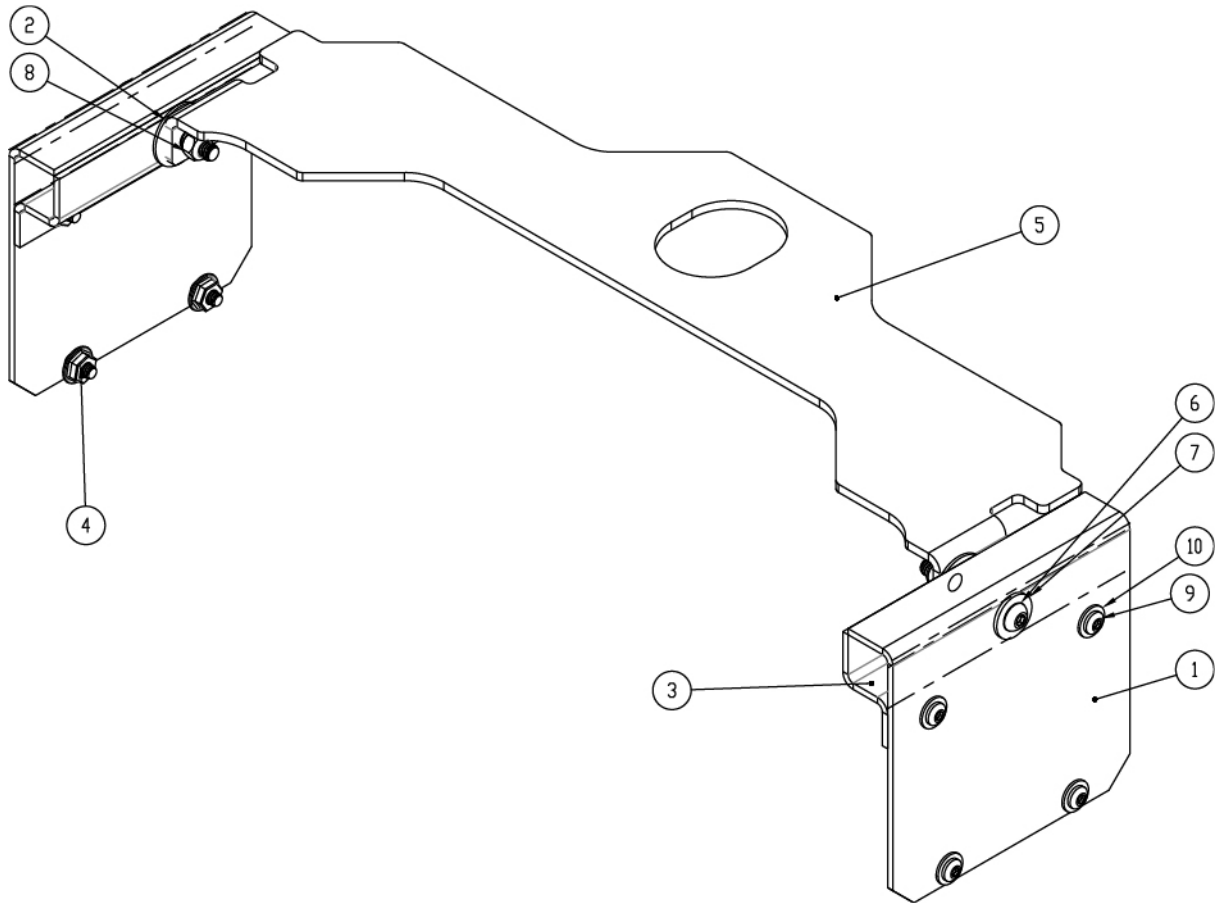
| REF # | PART NUMBER | QTY | DESCRIPTION |
|-------|-----------------|-----|-------------------------------|
| 1 | 15462-045 | 1 | Fuel Tank Tray |
| 2 | 15679-008S | 1 | Governor Cover |
| 3 | 300217-3S | 1 | Right Side Rail |
| 4 | 300216-3S | 1 | Left Side Rail |
| 5 | 16248-000 | 8 | .25-20 Flange Nut |
| 6 | 16249-000 | 8 | 5/16-18 Flange Nut |
| 7 | 21698-001 | 4 | Torx Screw |
| 8 | 40077-000 | 38" | 3/16" Fuel Hose |
| 9 | 40078-000 | 13" | 1/4 Fuel Hose |
| 10 | 40078-000 | 16" | 1/4 Fuel Hose |
| 11 | 40730-000 | 1 | Grommet |
| 12 | 439-000 | 4 | 1/4-20 x 1 Bolt |
| 13 | 526-000 | 16 | Washer |
| 14 | 62999-001 | 5 | .5 OD Red Hose Clamp |
| 15 | 62999-005 | 4 | .41 OD Green Hose Clamp |
| 16 | 64024-011 | 1 | 7 Gallon Steel Fuel Tank |
| 17 | 64858-004 | 8 | 5/16-18 X 1.75 Btn Head Screw |
| 18 | 62496-005 | 1 | 40-70 micron Fuel Filter |
| 19 | 80902-000 | 1 | 7 Gallon Carbon Canister |
| 20 | 80903-002 | 1 | Slosh Valve with Grommet |
| 21 | 81902-000 | 2 | Mounting Bracket |
| 22 | 95281-000 | 4 | .25-20 X 1.25 Bolt |
| 23 | 97391-003 | 1 | Tube Clamp |
| 24 | 98590-003 | 1 | Hose Reducer |
| 25 | 40077-000 | 3" | 3/16" Fuel Hose |
| 26 | 267-002 | 4 | Flat Washer |
| 27 | 64024-404 | 1 | Fuel Valve under Tank |
| 28 | 64024-402 | 1 | Fuel Gauge |
| 29 | 64024-401 | 1 | Sealed Fuel Cap |
| 30 | 64024-403 | 1 | Filter Inside Tank |
| NI | 98771-005 | 1 | Plastic Fuel Valve |
| NI | 64024-406 | 4 | Rubber Bushing |
| NI | 64024-405 | 4 | Anti-Crash Insert |
| NI | Not Illustrated | | |

RECEPTACLE PANEL ASSEMBLY



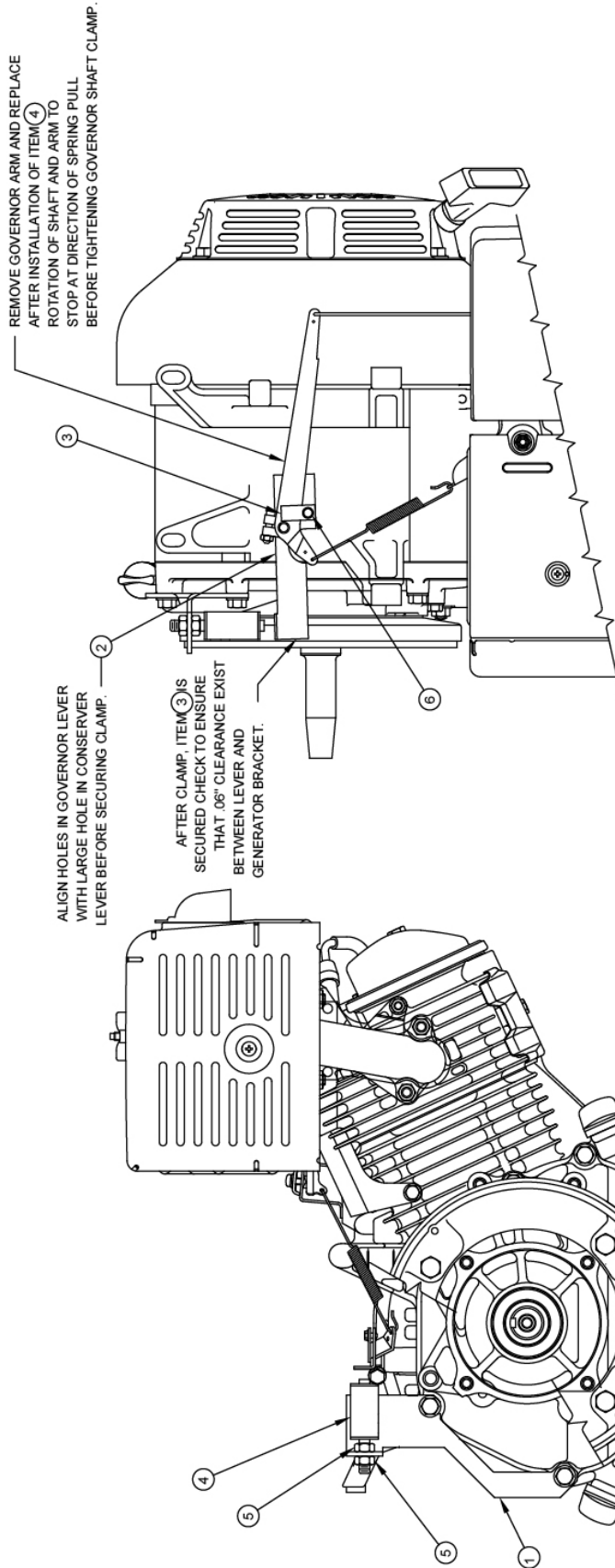
| REF # | PART NUMBER | QTY | DESCRIPTION |
|-------|-----------------|-----|---------------------------------|
| 3 | 15147-001 | 2 | NEMA 5-20R Receptacle |
| 4 | 15620-007 | 1 | 2-Gang GFCI Cover |
| 5 | 15458-027S | 1 | Front Receptacle Panel |
| 6 | 16319-000 | 1 | CB Mounting Bracket |
| 7 | 16488-016 | 1 | 25A 240V GFCI Circuit Breaker |
| 8 | 16489-001 | 1 | Modified CB Terminal Block |
| 9 | 21698-001 | 11 | Torx Screw |
| 11 | 21976-000 | 3 | #8 External Tooth Lock Washer |
| 12 | 22423-000 | 2 | #10 External Tooth Lock Washer |
| 13 | 22989-000 | 6 | #6 External Tooth Lock Washer |
| 14 | 24198-000 | 1 | #8-32 X 5/8 Bolt |
| 15 | 300042 | 1 | Idle Control Module |
| 16 | 300108 | 1 | Resistor 10W 250 Ohm |
| 17 | 394-000 | 8 | #6-32 Hex Nut |
| 19 | 420-000 | 1 | 10-24 X 3/4 Bolt |
| 20 | 456-000 | 1 | #10-24 Hex Nut |
| 21 | 47136-000 | 2 | 5/16-18 Nylock Hex Nut |
| 22 | 473-000 | 2 | 5/16-18 X 1/2 Bolt |
| 23 | 48042-001 | 1 | Ground Lug |
| 27 | 5113-000 | 3 | #8-32 Hex Nut |
| 31 | 54545-000 | 1 | NEMA 5-50R Receptacle |
| 32 | 56279-000 | 1 | NEMA L5-20R Receptacle |
| 33 | 566-000 | 2 | Split Lock Washer |
| 34 | 58166-001 | 1 | Running Time Meter |
| 38 | 15221-025S | 1 | Rear Receptacle Panel |
| 39 | 6402-001 | 2 | 8-32 X 3/8 Screw |
| 40 | 64045-006 | 2 | 3-Hole Mounting Strap |
| 41 | 64045-041 | 1 | 2-Hole Mounting Strap |
| 42 | 64089-000 | 1 | SPST Rocker Switch |
| 44 | 64855-001 | 4 | Nylon Spacer |
| 45 | 7792-000 | 4 | 6-32 X 5/8 Bolt |
| 46 | 7792-001 | 6 | 6-32 X 1/2 Bolt |
| 48 | 91286-001 | 2 | 20A 1-Pole Circuit Breaker |
| 52 | 91977-006 | 1 | 45A 1-Pole 120V Circuit Breaker |
| 53 | 97360-000 | 1 | NEMA L14-30R Receptacle |
| NI | 62486-000 | 1 | Grommet |
| NI | Not Illustrated | | |

LIFTING EYE ASSEMBLY



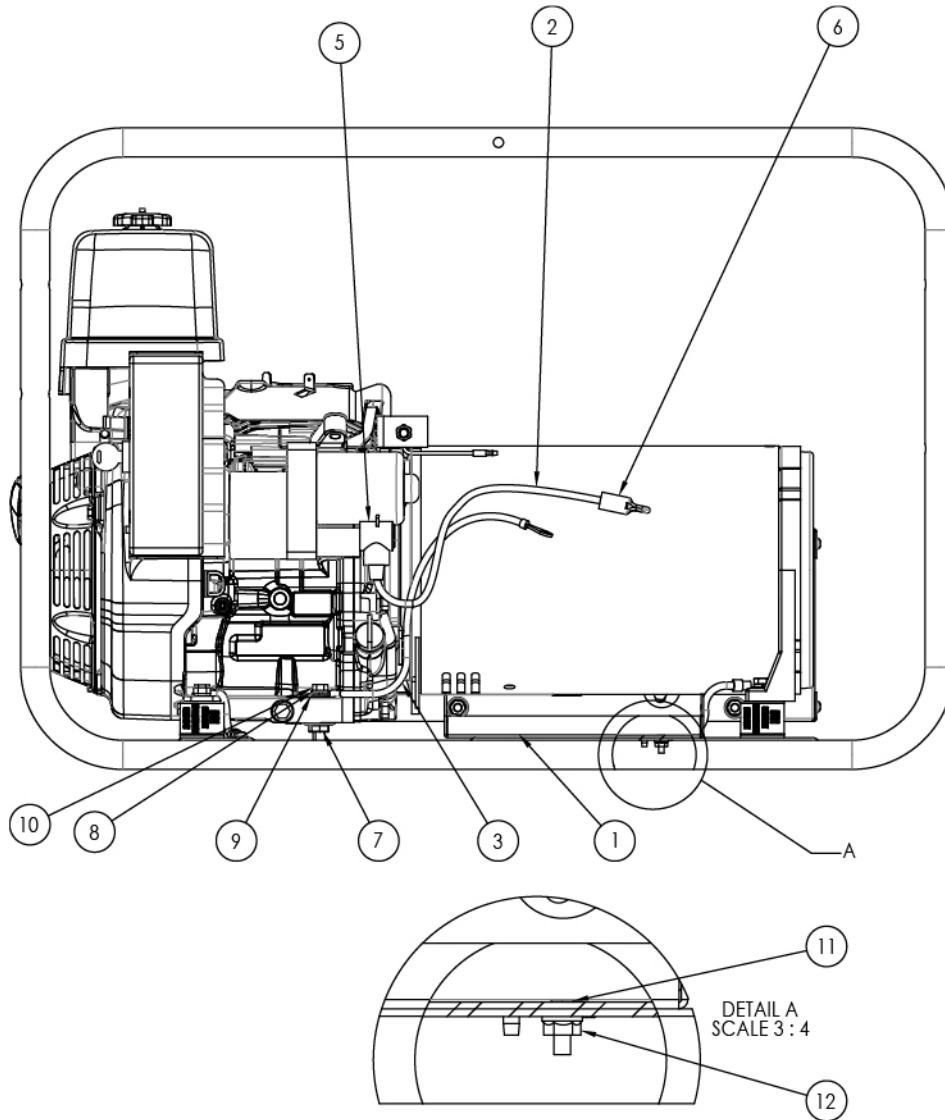
| REF # | PART NUMBER | QTY | DESCRIPTION |
|-------|-------------|-----|----------------------------|
| 1 | 300149-10 | 2 | Lifting Eye Support |
| 2 | 96286-007 | 2 | Nylon Flat Washer |
| 3 | 300148-11 | 2 | Inside Bracket |
| 4 | 16248-000 | 8 | .25-20 Flange Nut |
| 5 | 512-000 | 8 | .25 Washer |
| 6 | 300148-22 | 2 | Lifting Eye |
| 7 | 64858-006 | 2 | 5/16 Button Head Cap Screw |
| 8 | 526-000 | 2 | Washer |
| 9 | 47136-000 | 2 | 5/16-18 Nylock Hex Nut |
| 10 | 64858-001 | 8 | 3/4 Button Head Cap Screw |

ENGINE IDLE CONTROL (CONSERVER) ASSEMBLY



| REF # | PART NUMBER | QTY | DESCRIPTION |
|-------|-------------|-----|------------------------------|
| 1 | 15416-000 | 1 | Conservator Mounting Bracket |
| 2 | 15415-000 | 1 | Conservator Lever |
| 3 | 62309-000 | 1 | Clamp |
| 4 | 15182-000 | 1 | Conservator Electro-Magnet |
| 5 | 44894-000 | 2 | 5/16-24 Hex Jam Nut |
| 6 | 55556-000 | 1 | Self Tapping Screw |

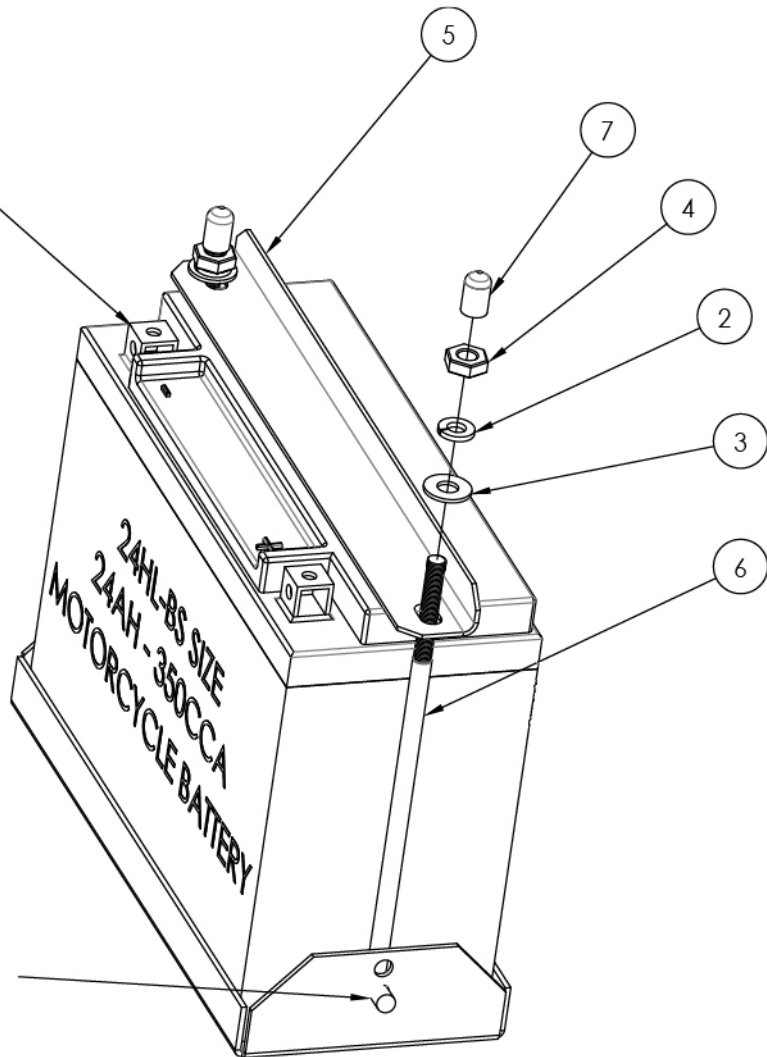
BATTERY INSTALLATION



| REF # | PART NUMBER | QTY | DESCRIPTION |
|-------|-------------|-----|----------------------------|
| 1 | 15676-011 | 1 | Battery Tray |
| 2 | 15767-032 | 1 | Battery Positive (+) Cable |
| 3 | 15767-030 | 1 | Battery Negative (-) Cable |
| 4 | 15807-003 | 1 | Battery Hold Down Kit |
| 5 | 16145-000 | 1 | Terminal Insulator |
| 6 | 16234-000 | 1 | Cap Plug |
| 7 | 16249-000 | 1 | 5/16-18 Flange Nut |
| 8 | 480-000 | 1 | 5/16 Split Lock Washer |
| 9 | 526-000 | 1 | Washer |
| 10 | 9416-000 | 1 | 5/16-18 X 1.75 Bolt |
| 11 | 95568-000 | 2 | 10-24 X 5/8 Threaded Stud |
| 12 | 99671-000 | 2 | 10-24 Hex Nut |

BATTERY HOLD DOWN KIT (15807-003)

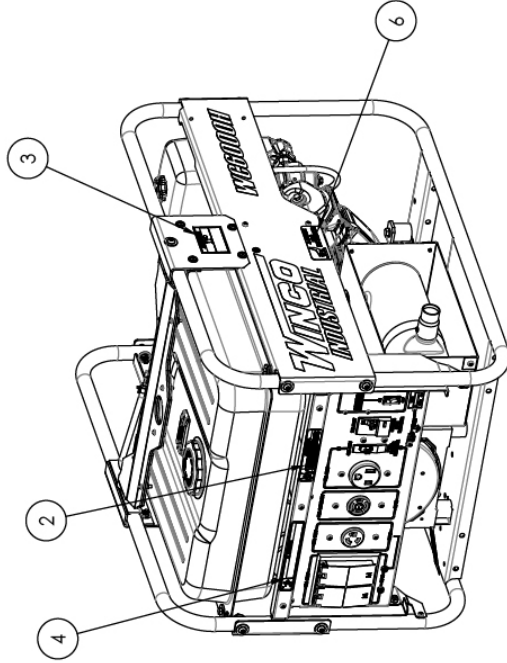
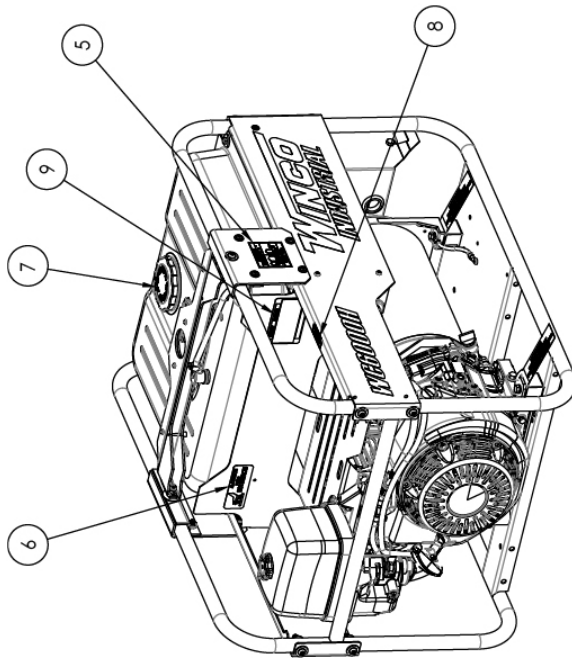
SCREW OR BOLT + NUT IS
TYPICALLY SUPPLIED WITH
BATTERY. A M6 METRIC
SCREW OR BOLT IS THE
COMMON SIZE USED.



LOWER HOLE IS TYPICAL FOR BATTERY
INSTALLATION.

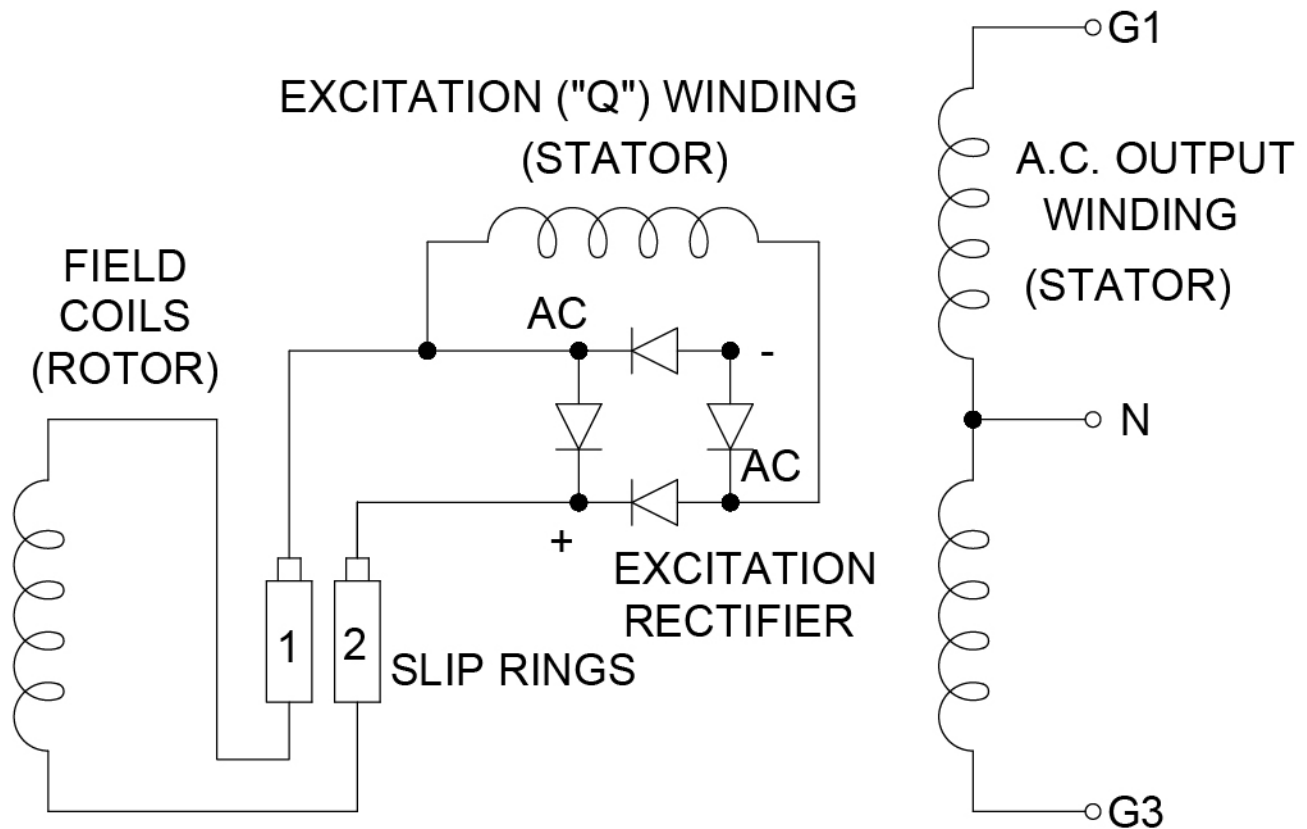
| REF # | PART NUMBER | QTY | DESCRIPTION |
|-------|-------------|-----|-------------------|
| 2 | 479-000 | 2 | Lock Washer |
| 3 | 512-000 | 2 | Washer |
| 4 | 638-000 | 2 | Hex Nut |
| 5 | 64167-004 | 1 | Hold Down Bracket |
| 6 | 64240-002 | 2 | Hold Down Rod |
| 7 | 64278-000 | 2 | Round Vinyl Cap |

DECAL INSTALLATION



| REF # | PART NUMBER | QTY | DESCRIPTION |
|-------|-------------------|-----|--------------------------|
| 1 | 15209-000 | 1 | Decal Set |
| 2 | 15209-001 | 1* | Gasoline Decal |
| 3 | 15209-002 | 1* | Danger CO2 Decal |
| 4 | 15209-003 | 1* | Electrical Shock Decal |
| 5 | 64918-000 | 2 | Danger Use Outside Decal |
| 6 | 63941-001 | 2 | Hot Surface Decal |
| 7 | 15209-013 | 1 | Fuel Type Decal |
| 8 | 15209-014 | 1 | Check Oil Decal |
| 9 | 63966-004 | 1 | Winco Nameplate |
| * | Part of 15209-000 | | |

AC SCHEMATIC



GENERATOR SCHEMATIC

GENERATOR SPECIFICATIONS:

| | |
|-------------------|-------------|
| G1 to Neutral | 0.11 Ohms |
| G3 to Neutral | 0.18 Ohms |
| "Q" Winding | 0.80 Ohms |
| Rotor | 11.5 Ohms |
| Winding Spec. | SS1544 |
| AC Connection | AC373 |
| AC Residual Volts | 7.0 VAC L-L |

WIRING DIAGRAM

