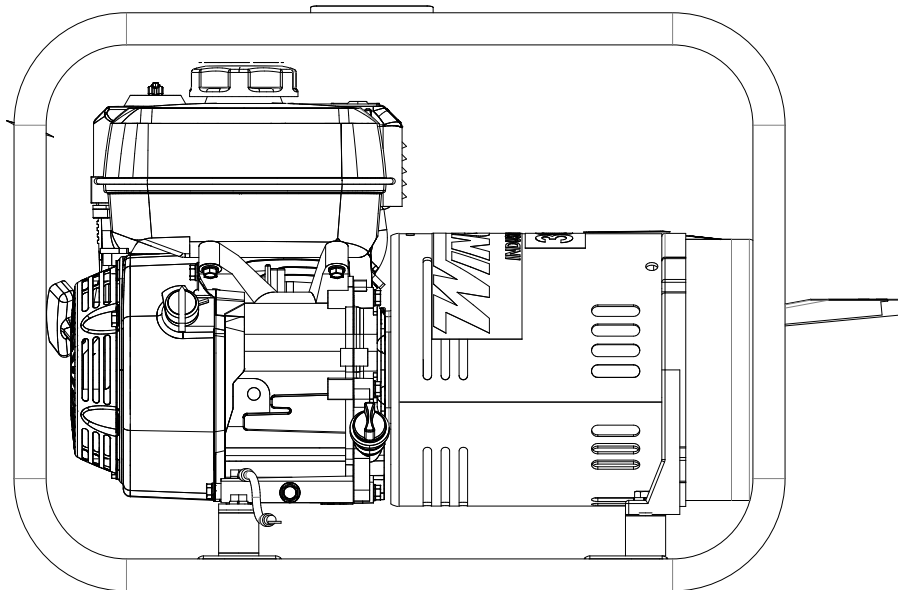


# **WINCO<sup>®</sup> INC**

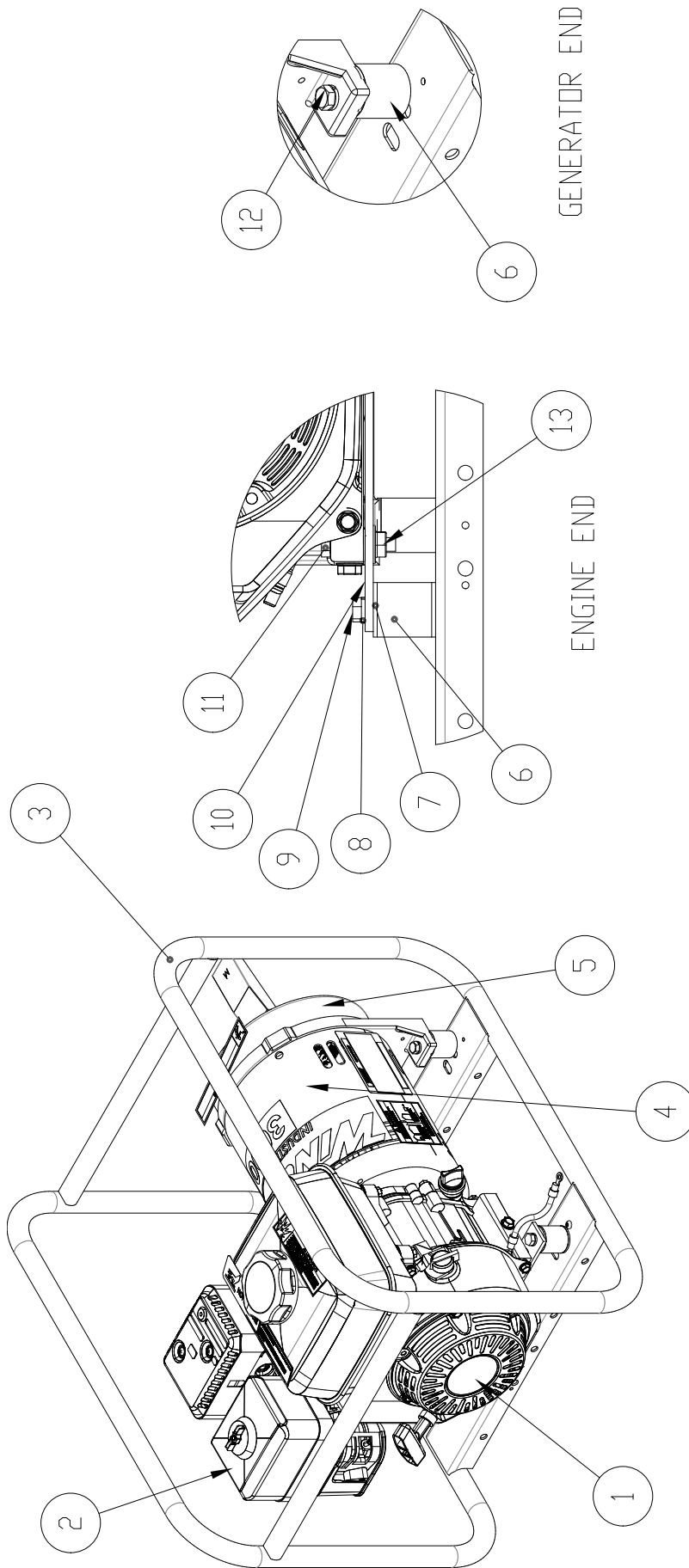
## **ILLUSTRATED PARTS LIST**

### **WT3000H/C**



**225 S. CORDOVA AVE.  
LECENTER, MN 56057  
507-357-6821  
SERVICE DEPT.  
507-357-6831  
wincogen.com**

# COMPLETE ASSEMBLY

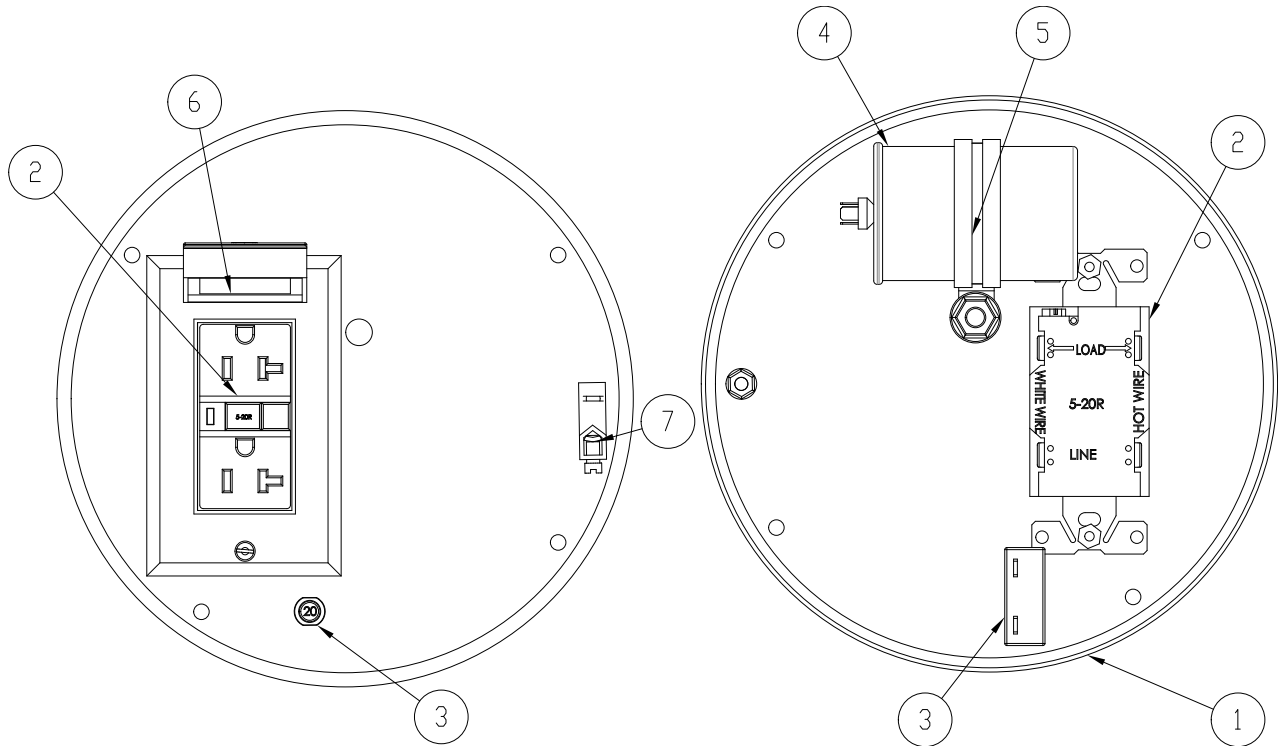


REF #	PART NUMBER	QTY	DESCRIPTION
1	15250-000	1	Engine, Honda Model: GX160UT2VA2 NH1 Code: GCBPT
2	17210-ZE1-517	1*	Air Filter
2	17218-ZE1-507	1*	Air Filter Pre-Filter
3	63073-013	1	Cradle
4	15041-037	Reference	Generator Assembly
5	15087-004	Reference	End Cover Assembly
6	64062-000	4	Shock Mount
7	23760-002	6	Flat Washer
8	480-000	4	Split Lock Washer
9	467-000	2	5/16"-18 X 3/4" Bolt
10	15986-001	1	Engine Mounting Bar
11	468-000	2	5/16"-18 X 1 1/2" Bolt
12	1116-000	2	5/16"-18 X 1" Bolt
13	16249-000	6	Flange Nut
NI	BPR6ES	1**	NGK Spark Plug
NI	Not Illustrated		
*	Honda part number		
**	NGK part number		

For a complete list of engine parts you can look them up using this link. You will need your engine serial number and the engine code from above.

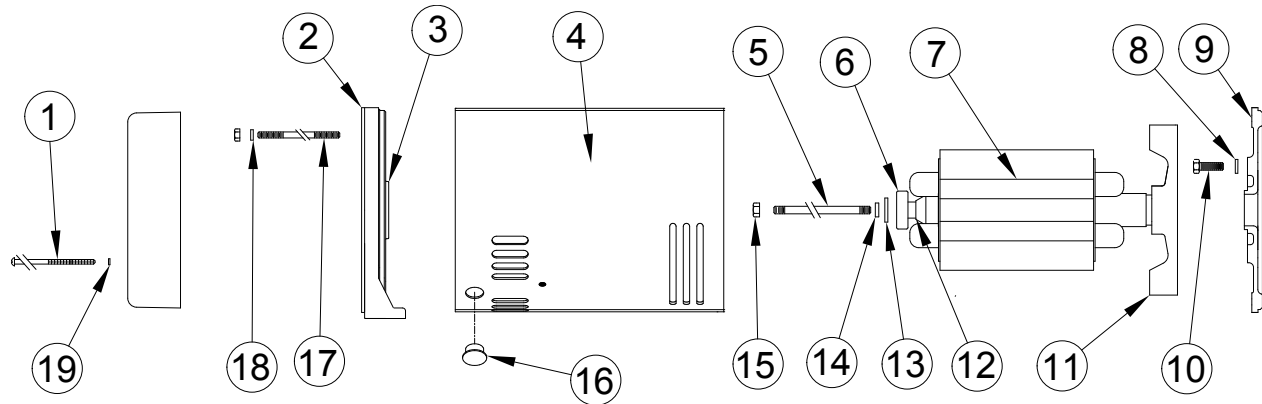
<http://peparts.honda.com/engines>

# END COVER ASSEMBLY



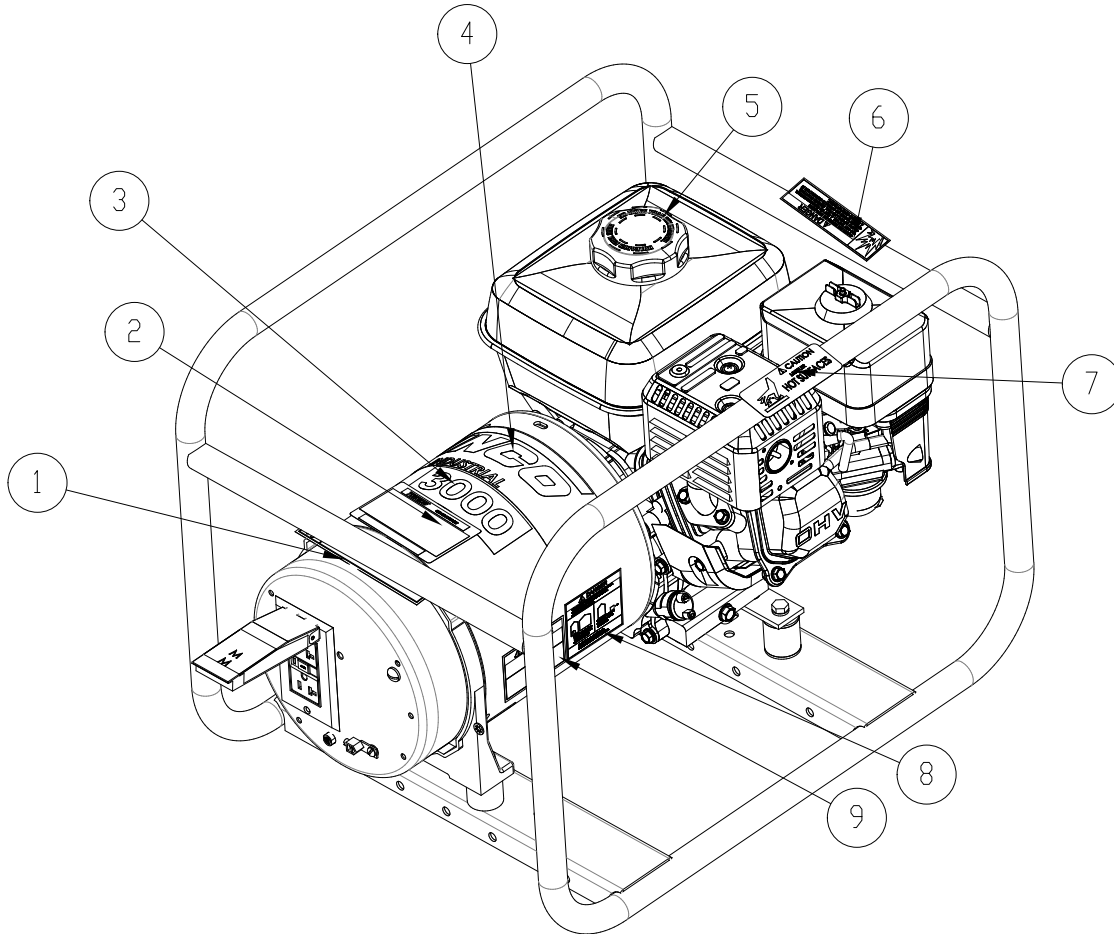
REF #	PART NUMBER	QTY	DESCRIPTION
1	15050-003	1	End Cover
2	15147-003	1	NEMA 5-20R GFCI Rcpt.
3	91286-001	1	20 Amp 1-Pole Breaker
4	15051-000	1	40mf 370VAC Capacitor
5	15374-002	1	Tube Clamp
6	15620-006	1	GFCI Cover
7	48042-001	1	Ground Lug

# GENERATOR ASSEMBLY



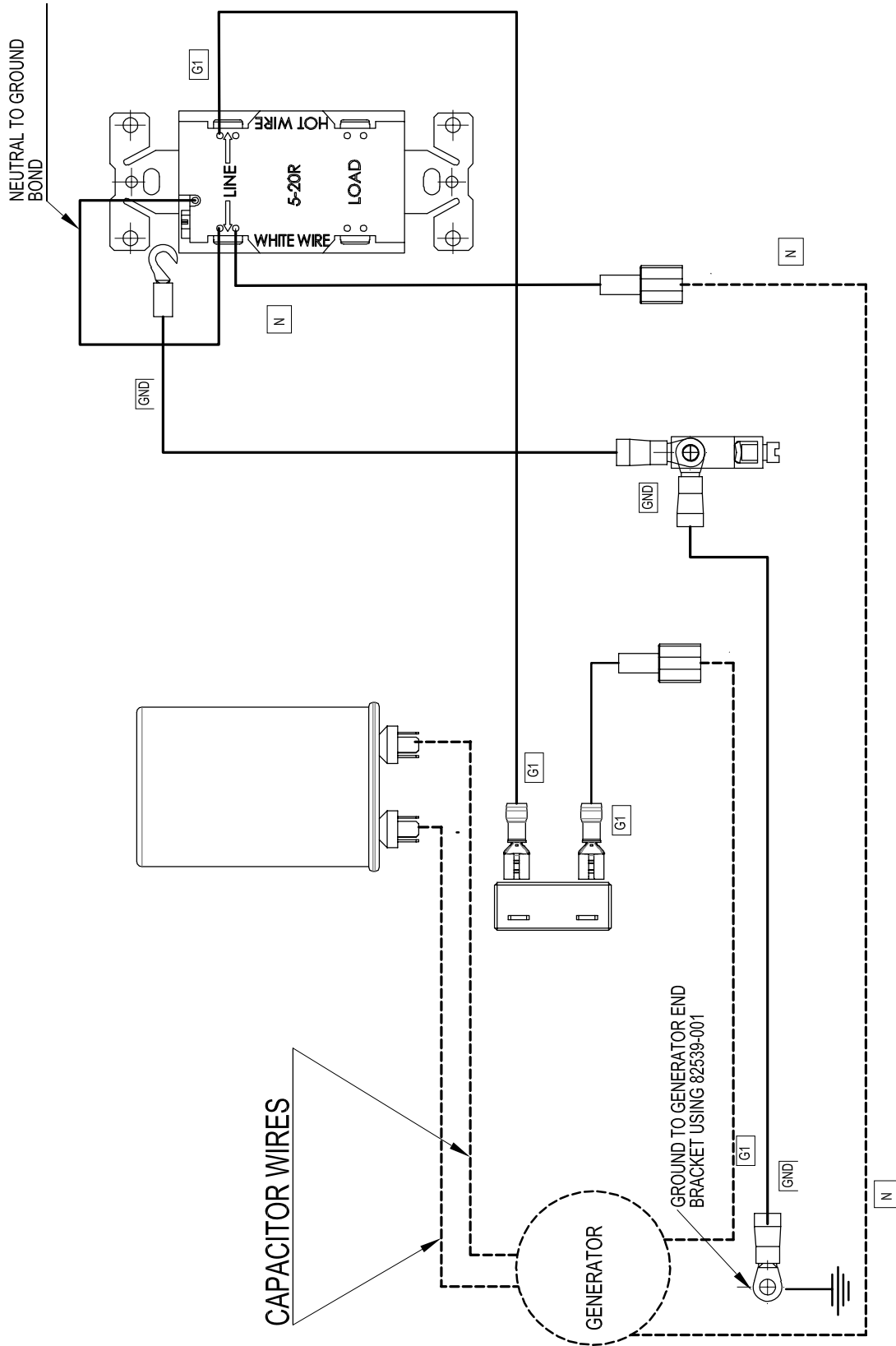
REF #	PART NUMBER	QTY	DESCRIPTION
1	15013-000	4	Screw
2	15015-001	1	Bearing Bracket
3	15122-000	1	Tolerance Ring
4	15093-000	1	Stator Assembly
5	23197-005	1	Stud Bolt 5/16" - 24 X 7-3/8
6	55223-000	1	Bearing
7	15045-003	1	Rotor Assembly
8	480-000	4	Lock Washer
9	15053-001	1	Engine Bracket
10	91547-000	4	Bolt
11	15136-001	1	Fan Assembly
12	15047-001	1	Std. Pol. Diode
13	23558-000	1	Washer
14	480-001	1	Lock Washer
15	15193-000	1	5/16" - 24 Nut
16	15102-001	1	Hole Plug
17	15530-002	4	Stud Bolt 1/4-20 X 8.875
18	479-000	4	Lock Washer
19	21975-000	4	Lock Washer

# DECAL INSTALLATION

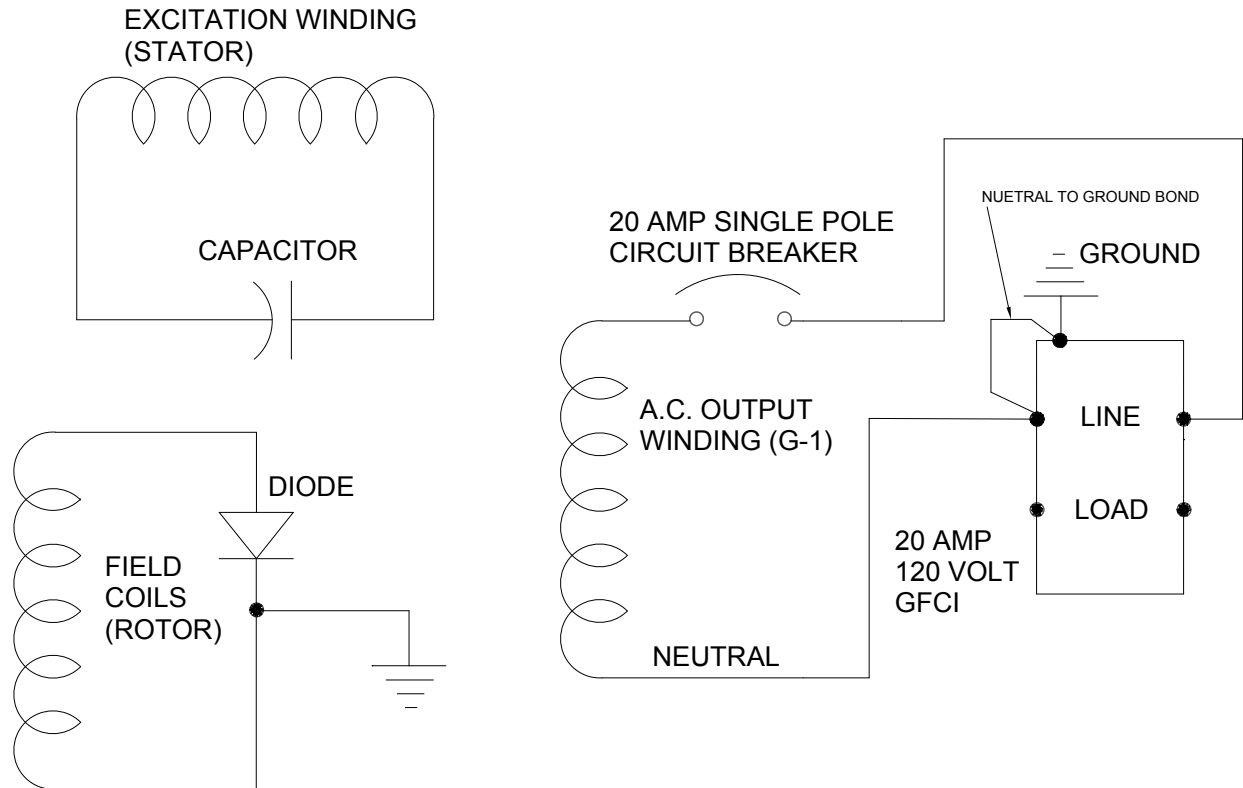


REF #	PART NUMBER	QTY	DESCRIPTION
1	15209-003	1*	Electrical Shock Decal
2	63966-004	1	Winco Nameplate
3	15370-003	1	Model 3000 Decal
4	64214-042	1	Winco Decal
5	15209-013	1	Fuel Type Decal
6	15209-001	1*	Gasoline Decal
7	63941-001	1	Hot Surface Decal
8	64918-000	2	Use Outside Decal
9	15209-002	1*	Carbon Monoxide Decal
*	Part of 15209-000 decal kit		

# WIRING DIAGRAM



# WIRING SCHEMATIC



## GENERATOR SPECIFICATIONS:

G1 to Neutral	0.55 Ohms
"Q" Winding (Capacitor Leads)	1.75 Ohms
Rotor	0.87 Ohms

Winding Spec.	SS1530
AC Connection	AC369
AC Residual Volts	7.0 VAC G1 - N