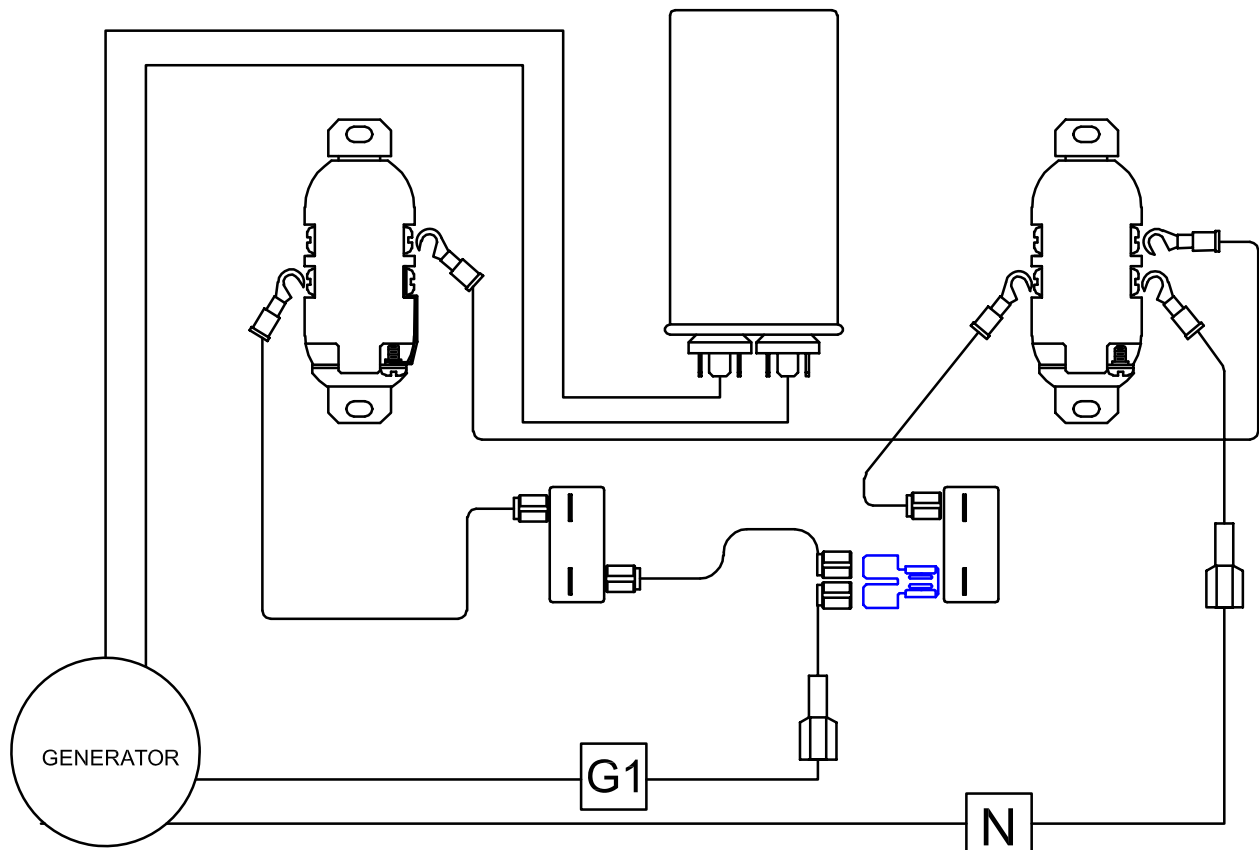
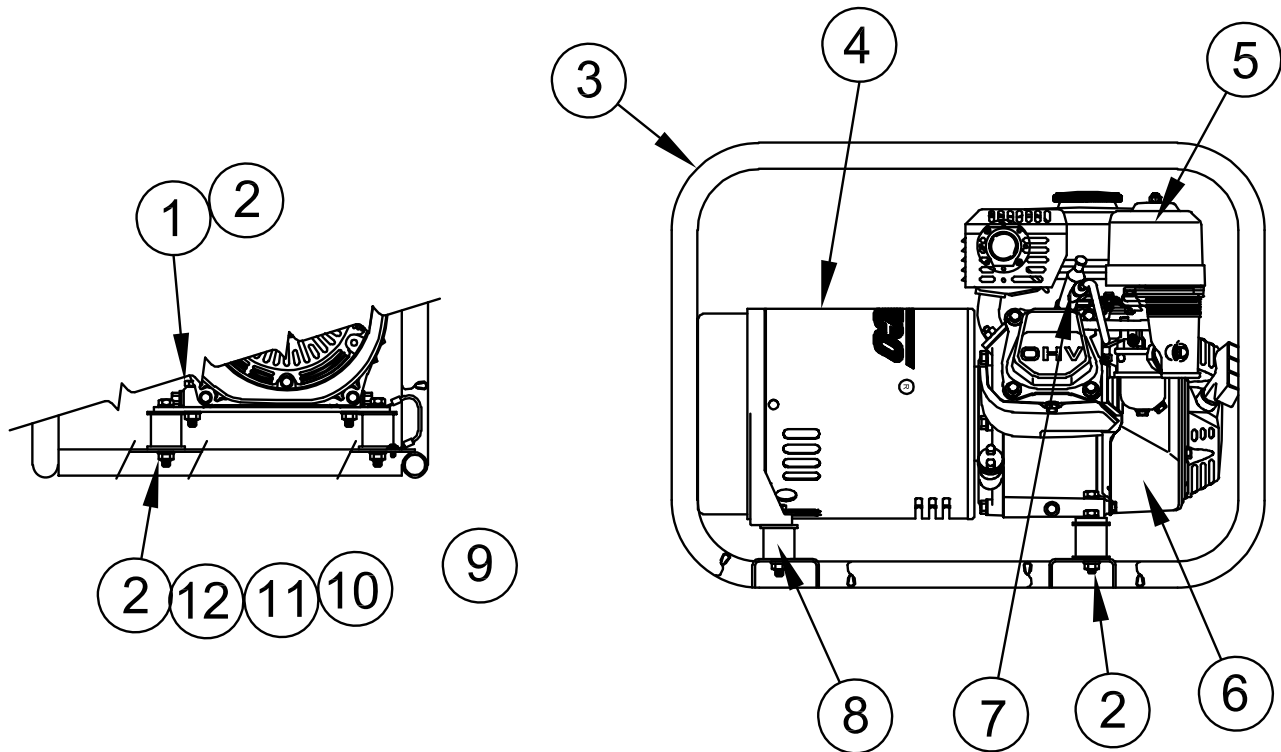


ILLUSTRATED PARTS LIST

CSA WT3000H/B

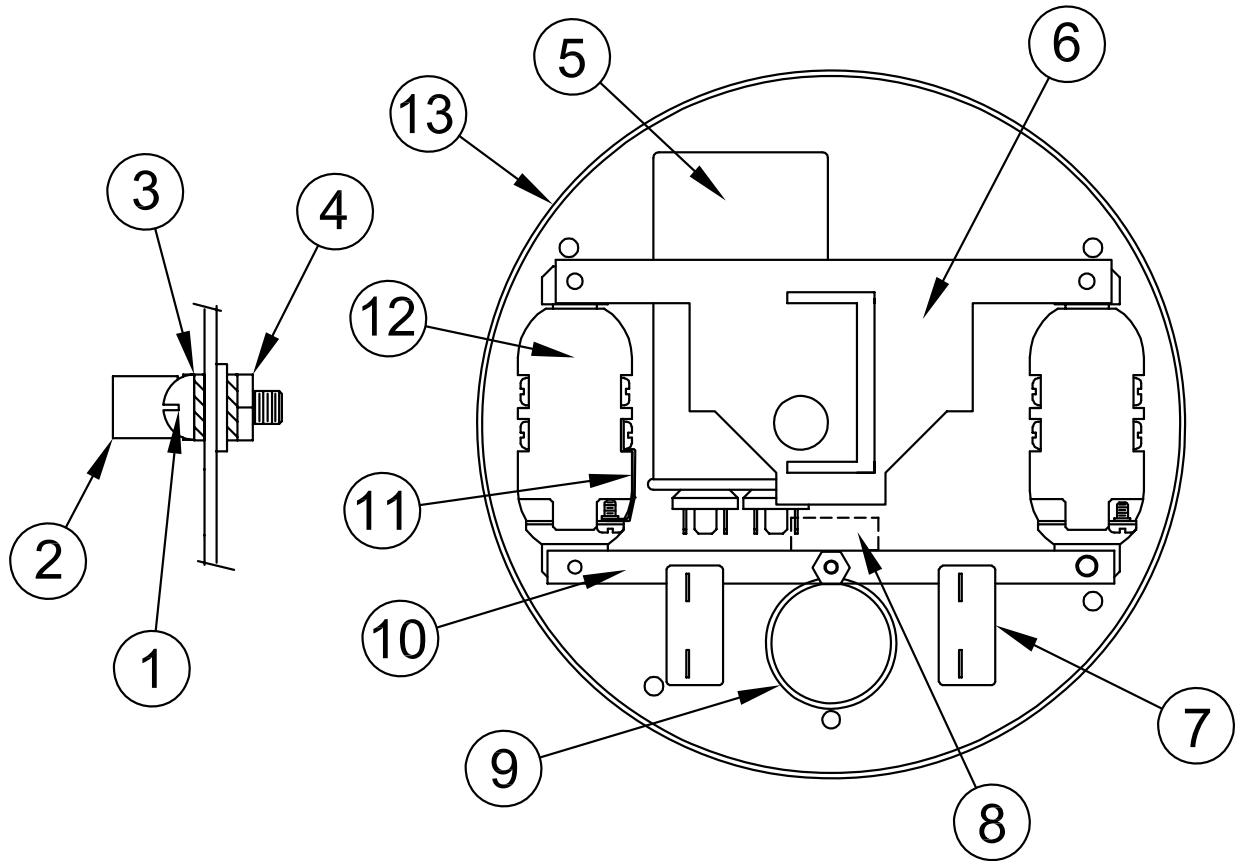


GENERATOR ASSEMBLY



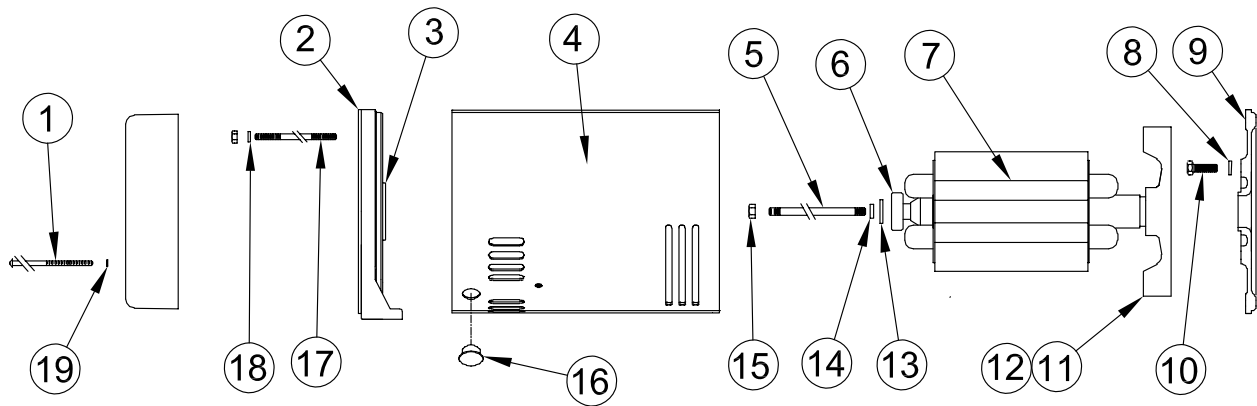
REF #	PART NUMBER	QTY	DESCRIPTION
1	468-000	2	5/16-18 X 1.5 Bolt
2	16249-000	6	5/16-18 Flange Nut
3	63073-013	1	Cradle
4	15041-033	1	Generator Assembly
5	17211-ZE1-00	1*	Air Filter
6	15250-000	1	Engine: Honda GX160 UTVWA2
7	RN11YC4	1**	Spark Plug
8	64062-000	4	Shock Mount
9	15986-001	1	Engine Support Bracket
10	467-000	2	5/16-18 X 3/4 Bolt
11	480-000	4	5/16 Split Lock Washer
12	23760-002	6	1.25 X .344 Flat Washer
*	Honda Part #		
**	Champion Part #		

END COVER ASSEMBLY



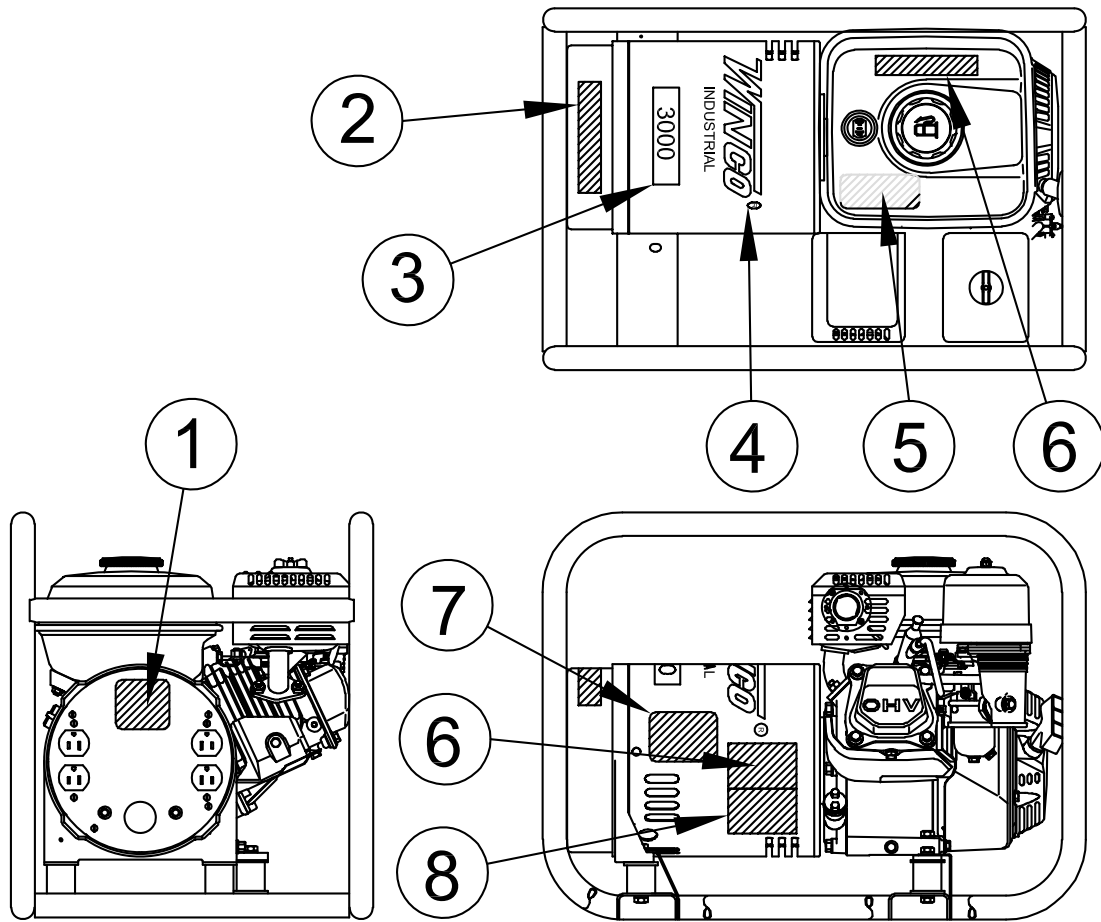
REF #	PART NUMBER	QTY	DESCRIPTION
1	419-000	1	#10-24 X 1/2 Screw
2	48042-001	1	Ground Lug
3	21975-000	3	#10 Lock Washer
4	456-000	1	#10-24 Hex Nut
5	15051-000	1	Capacitor
6	15088-000	1	Capacitor Strap
7	91286-001	2	20 Amp Circuit Breaker
8	15750-000	1	Ground Decal
9	54847-010	1	Hole Plug
10	64045-004	1	Mounting Strap
11	41387-009	1	Ground Strap
12	50766-000	2	20 Amp Receptacle
13	15050-001	1	End Cover

GENERATOR ASSEMBLY



REF #	PART NUMBER	QTY	DESCRIPTION
1	15013-000	4	Screw
2	15015-001	1	Bearing Bracket
3	15122-000	1	Tolerance Ring
4	15093-000	1	Stator Assembly
5	23197-005	1	Stud Bolt 5/16" - 24 X 7-3/8
6	55223-000	1	Bearing
7	15045-003	1	Rotor Assembly
8	480-000	4	Lock Washer
9	15053-001	1	Engine Bracket
10	91547-000	4	Bolt
11	15136-001	1	Fan Assembly
12	15047-001	1	Std. Pol. Diode
13	23558-000	1	Washer
14	480-001	1	Lock Washer
15	15193-000	1	5/16" - 24 Nut
16	15102-001	1	Hole Plug
17	15530-002	4	Stud Bolt 1/4-20 X 8.875
18	479-000	4	Lock Washer
19	21975-000	4	Lock Washer

DECAL ASSEMBLY



REF #	PART NUMBER	QTY	DESCRIPTION
1	56813-000	1	CSA Approval Plate
2	15209-100	1	Danger Decal Set
3	15370-003	1	Model Decal
4	64214-042	1	Winco Decal
5	63941-001	1	Hot Warning Decal
6	15209-000	1	Danger Decal Set
7	63966-003	1	Nameplate
8	91718-000	1	RFI Decal

WINGCO INC
A Division of DTE Dyna Technology Inc

225 S. CORDOVA AVE.
 LECENTER, MN 56057
 507-357-6821
 SERVICE DEPT.
 507-357-6831