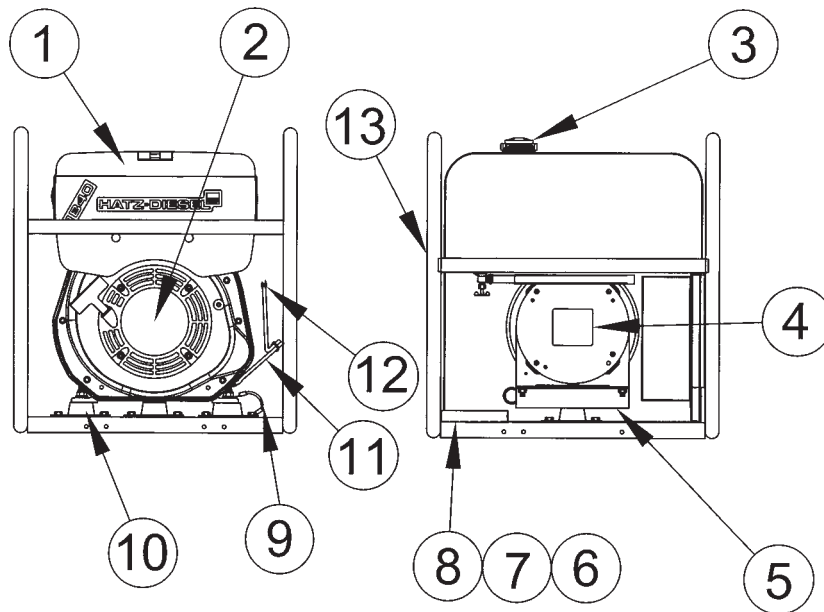


ILLUSTRATED PARTS LISTS

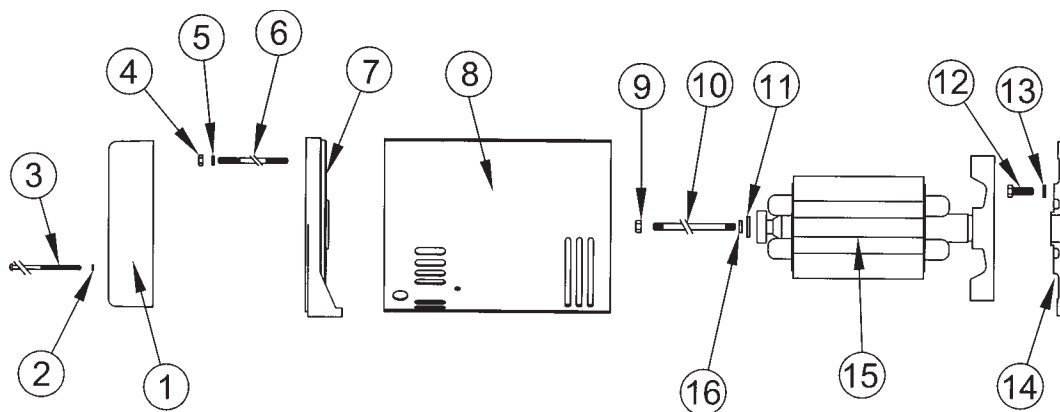
W6010DEX/C

ENGINE/GENERATOR ASSEMBLY



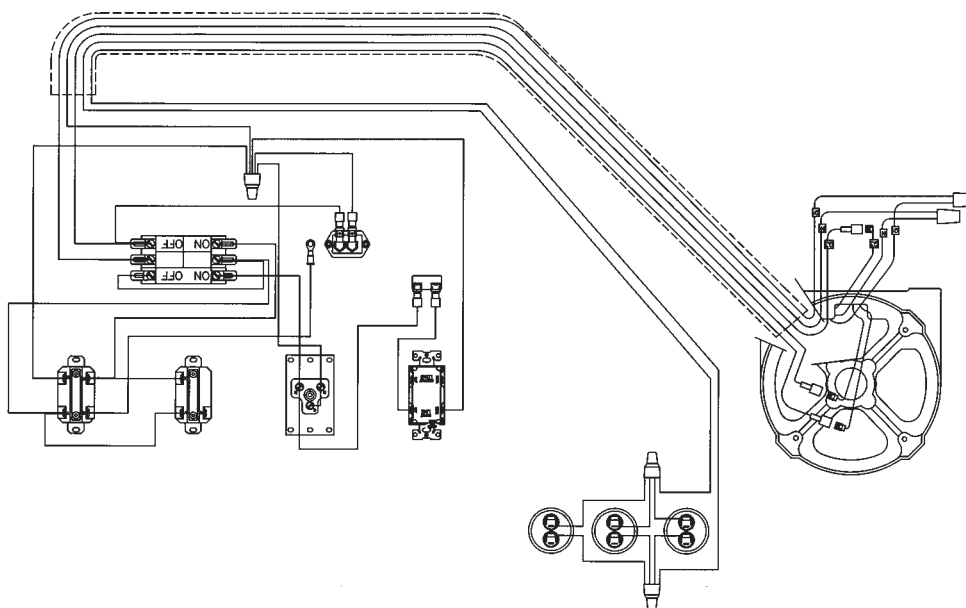
<u>REF #</u>	<u>PART NUMBER</u>	<u>QTY</u>	<u>DESCRIPTION</u>
1	50484100*	1	Air Filter
2	99068-000	1	Hatz Engine Model, 1B40 U-4 VAR.XI
3	62396-007	1	Fuel Cap with Gauge
4	15041-035	REF	Generator
5	15084-002	1	Adapter
6	15676-006	1	Battery Tray
7	95568-000	1	#10-24 X .625 Threaded Stud
8	99671-000	2	#10-24 Flange Nut
9	9769-155	1	Lead Wire Assembly
10	98807-000	3	Shock Mount
11	15767-005	1	Negative Battery Cable (-)
12	15767-015	1	Positive Battery Cable (+)
13	63073-023	1	Cradle
*	Hatz part number		

GENERATOR ASSEMBLY

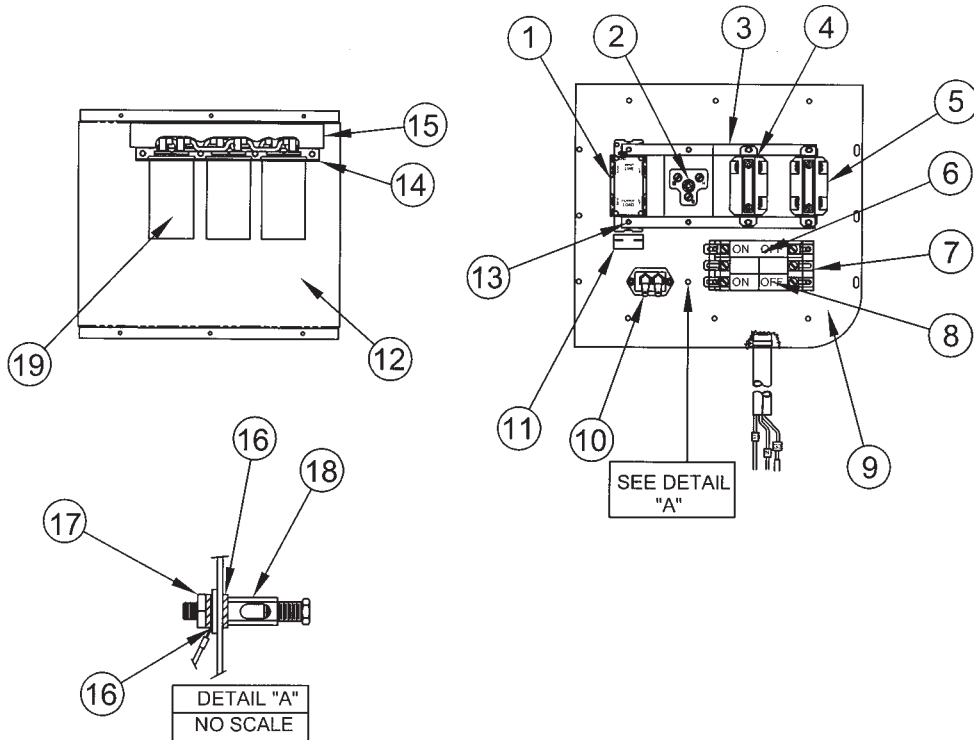


REF #	PART NUMBER	QTY	DESCRIPTION
1	15085-000	1	End Cover
2	21975-000	4	Lock Washer
3	15013-001	4	Screw
4	15192-000	4	1/4 - 20 Hex Nut
5	479-000	4	Lock Washer
6	15068-009	4	Stud Bolt 1/4 - 20
7	15015-006	1	Bearing Bracket
8	15091-014	1	Stator Assembly
9	15193-000	1	5/16 - 24 Hex Nut
10	23197-026	1	Stud Bolt 5/16 - 20
11	23558-000	1	Washer
12	94282-035	4	H.H.C.S.
13	97436-010	4	Lock Washer
14	15008-000	1	Engine Bracket
15	15045-011	1	Rotor Assembly
16	480-001	1	Lock Washer

WIRING DIAGRAM

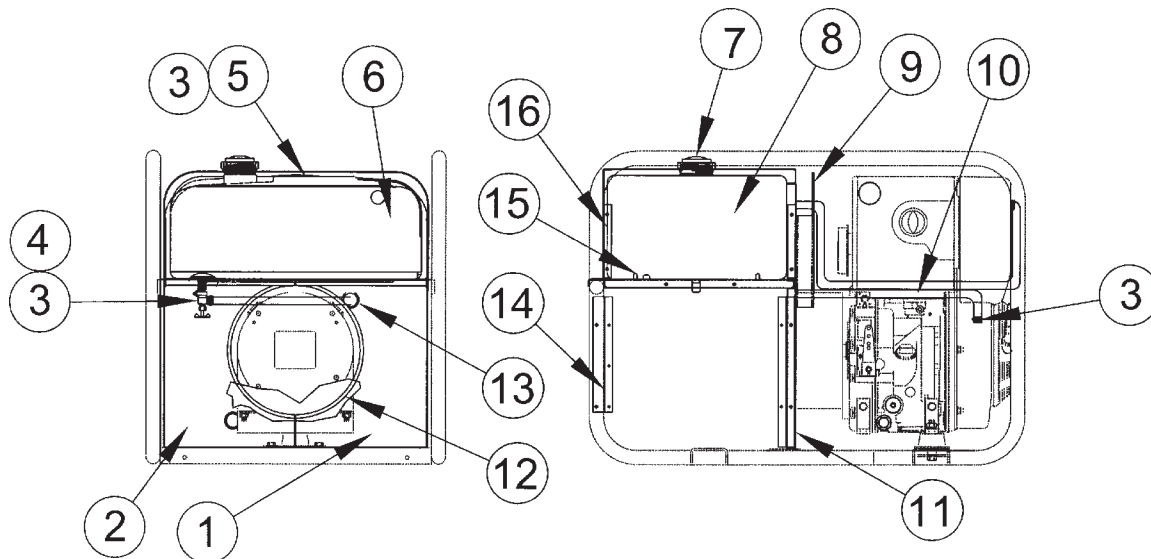


CONTROL PANEL ASSEMBLY



REF #	PART NUMBER	QTY	DESCRIPTION
1	15147-001	1	20A, 125V GFCI Receptacle
2	54545-000	1	50A, 125V Receptacle
3	64045-001	2	Ground Strap
4	57324-000	1	30A, 250V L6-30 Receptacle
5	97360-000	1	30A, 125/250V L-14-30R Receptacle
6	91977-006	1	45A, 125V Circuit Breaker
7	64045-036	2	Grounding Strap
8	57030-009	1	25A, 250V Circuit Breaker
9	15845-004	1	Control Panel
10	58166-001	1	Running Time Meter
11	91286-001	1	20A Circuit Breaker
12	15846-001	1	Rear Panel
13	21698-001	22	#10 Type Z Sheet Metal Screw
14	15226-000	1	Capacitor Clamp
15	15167-000	1	Foam
16	21975-000	2	#10 Int. Tooth Lock Washer
17	456-000	1	#10 - 24 Hex Nut
18	64833-000	1	Ground Lug
19	15051-000	3	Capacitor
NI	23917-000	1	Grommet
NI	Not Illustrated		

FUEL SYSTEM ASSEMBLY



<u>REF #</u>	<u>PART NUMBER</u>	<u>QTY</u>	<u>DESCRIPTION</u>
1	15222-023	1	Right Fuel Tank Support Panel
2	15223-019	1	Left Fuel Tank Support Panel
3	81018-009	4	Clamp
4	98771-003	1	Petcock
5	98435-000	1	Elbow
6	64024-009	1	Fuel Tank
7	62396-007	1	Fuel Cap with Gauge
8	15227-015	1	Panel Cover
9	15687-004	1	Heat Shield
10	55505-009	1	Hose 3/8 ID 31" Long
11	15084-005	1	Bracket
12	15287-007	1	Air Seal
13	23917-000	4	Grommet
14	15084-004	1	Bracket
15	15462-027	1	Fuel Tank Support Tray
16	15144-011	1	End Baffle Generator End
NI	16133-000	2	.25 ID X .75 OD Leather Washer
NI	512-000	2	9/32 X 5/8 X 1/16 Flat Washer
NI	Not Illustrated		

WINGO INC
A Division of DTE Dyna Technology Inc

225 South Cordova Avenue
Le Center MN 56057
507-357-6831
www.wincogen.com