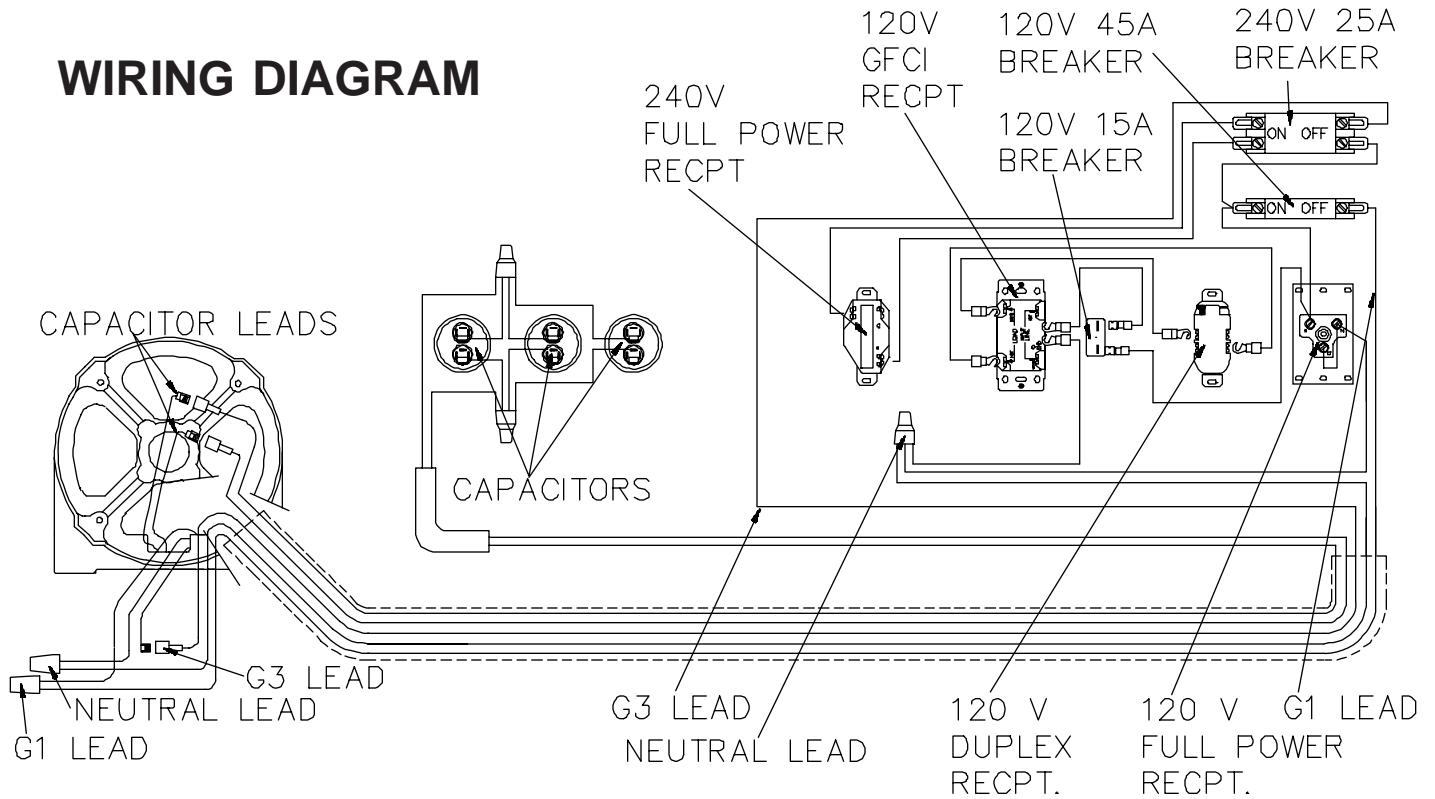
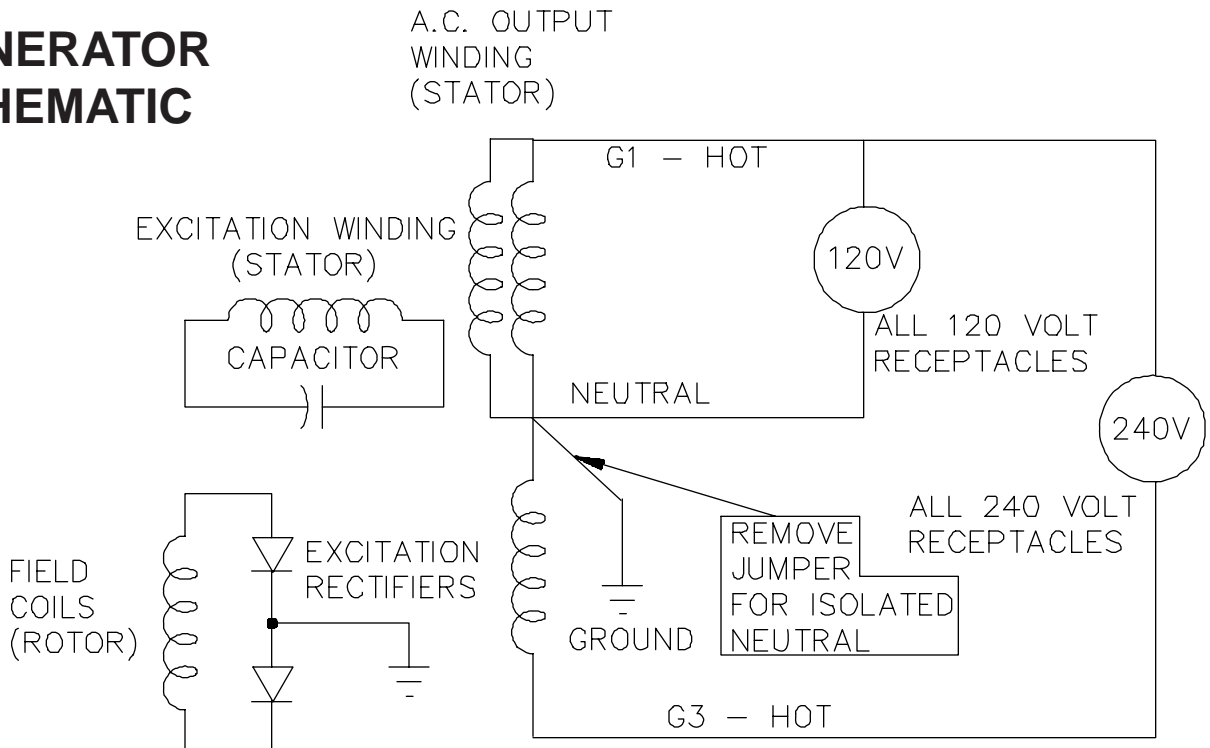


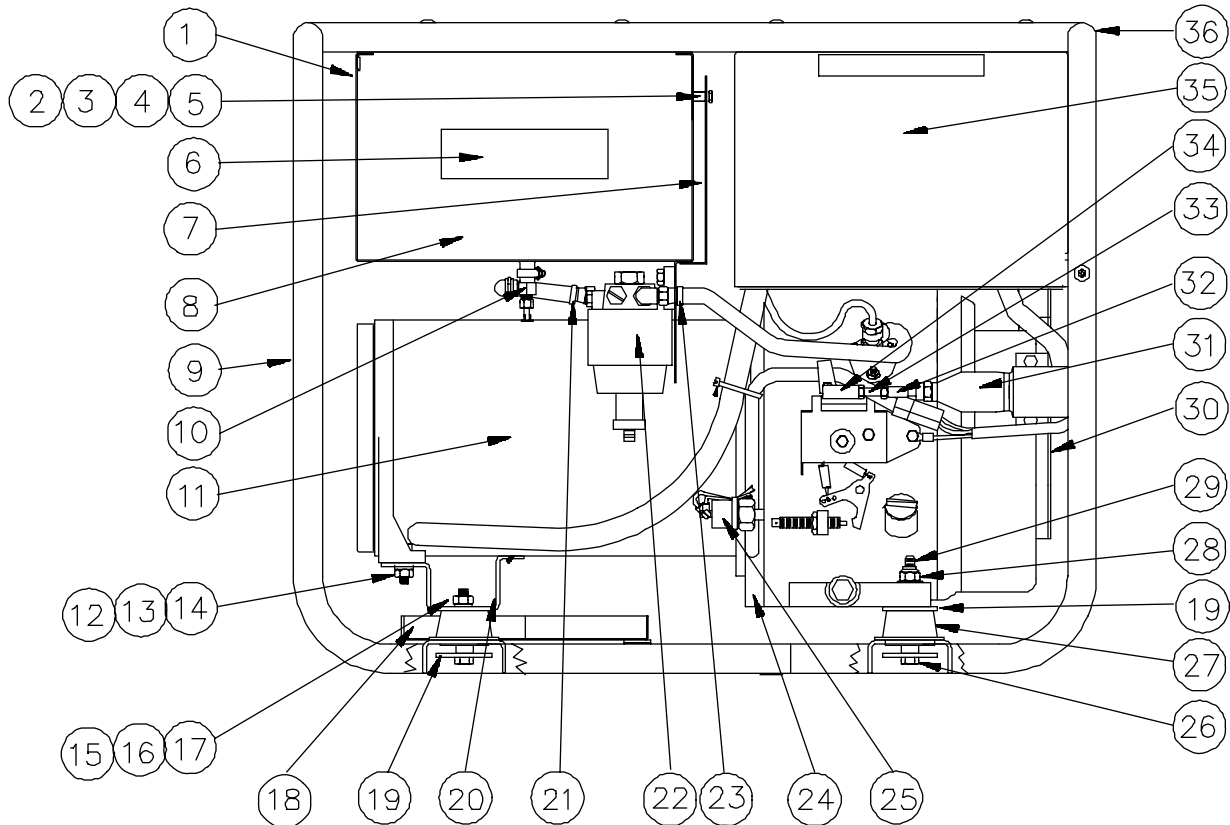
### WIRING DIAGRAM



### GENERATOR SCHEMATIC



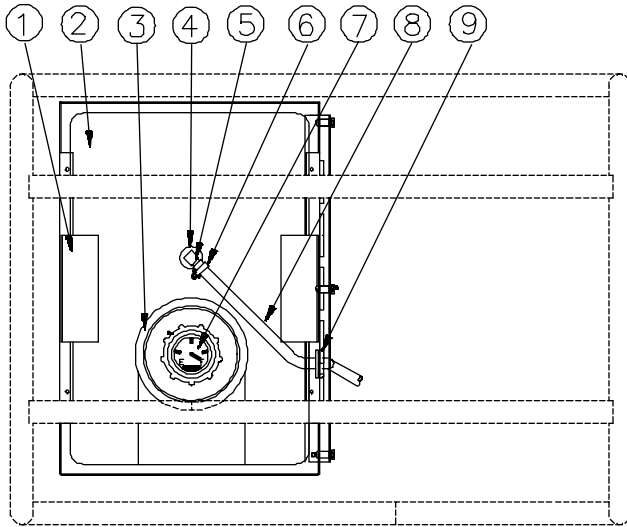
# COMPLETE UNIT ASSEMBLY



| REF | PART #    | QTY | DESCRIPTION                | REF | PART #    | QTY | DESCRIPTION              |
|-----|-----------|-----|----------------------------|-----|-----------|-----|--------------------------|
| 1   | 15851-000 | 1   | Tank Support               | 21  | 40078-000 | 1   | Hose 5.75"               |
| 2   | 62825-002 | 3   | Spacer                     | 22  | 97303-000 | 1   | Fuel Filter              |
| 3   | 484-000   | 3   | Lockwasher #10             | 23  | 72300-000 | 2   | Hose Fitting             |
| 4   | 456-000   | 3   | Hex Nut #10-24             | 24  | 15806-000 | ref | Yanmar L100AE-DEG        |
| 5   | 420-000   | 3   | Machine Screw #10-24 X 3/4 | 25  | 99036-000 | 1   | Oil Pressure Switch      |
| 6   | 15209-000 | 1   | Warning Decals             | 26  | 91658-014 | 2   | Cap Screw 3/8-16 X 3 1/2 |
| 7   | 15855-000 | 1   | Heat Shield                | 27  | 98807-000 | 3   | Shockmount               |
| 8   | 15852-000 | 1   | Tank Cover                 | 28  | 526-000   | 2   | Flatwasher 3/8           |
| 9   | 15778-000 | 1   | Cradle                     | 29  | 56864-000 | 2   | Locknut 3/8-16           |
| 10  | 98771-000 | 1   | Petcock                    | 30  | 15786-000 | 1   | Blower Guard             |
| 11  | 15041-022 | Ref | Generator Assembly         | 31  | 99008-003 | 1   | Solenoid                 |
| 12  | 580-000   | 2   | Cap Screw 5/16-18 x 1 1/4  | 32  | 99035-000 | 1   | In Line Swivel           |
| 13  | 480-000   | 2   | Lockwasher 5/16            | 33  | 91925-003 | 1   | Threaded Rod 1/4-28 X 2  |
| 14  | 458-000   | 2   | Hex Nut 5/16-18            | 34  | 63650-000 | 1   | Ball Joint               |
| 15  | 91658-000 | 1   | Cap Screw 3/8-16 X 2 1/2   | 35  | 15847-000 | 1   | Control Panel            |
| 16  | 481-000   | 1   | Lockwasher 3/8             | 36  | 97382-000 | 1   | Decal Warning            |
| 17  | 459-000   | 1   | Hex Nut 3/8-16             | NI  | 15767-004 | 1   | Battery Cable POS        |
| 18  | 15789-000 | 1   | Battery Tray               | NI  | 15767-003 | 1   | Battery Cable NEG        |
| 19  | 98806-000 | 5   | Safety Washer              | NI  | 15807-000 | 1   | Battery Hold Down Kit    |
| 20  | 15084-001 | 1   | Generator Support          |     |           |     |                          |

\* NI - Not Illustrated

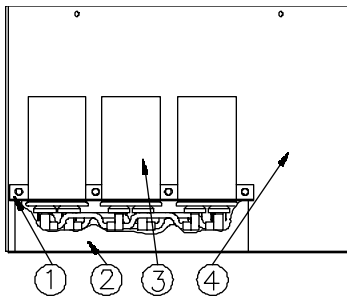
# FUEL TANK ASSEMBLY



| REF | PART #    | QTY | DESCRIPTION      |
|-----|-----------|-----|------------------|
| 1   | 15854-000 | 2   | Tank Holddown    |
| 2   | 64024-001 | 1   | Fuel Tank        |
| 3   | 58684-000 | 1   | Edge Trim 14.5"  |
| 4   | 62409-000 | 1   | Bushing          |
| 5   | 98435-000 | 1   | Elbow            |
| 6   | 81018-009 | 2   | Clamp            |
| 7   | 62396-003 | 1   | Fuel Cap         |
| 8   | 40078-000 | 1   | Fuel Line 22.75" |
| 9   | 23917-000 | 1   | Grommet          |

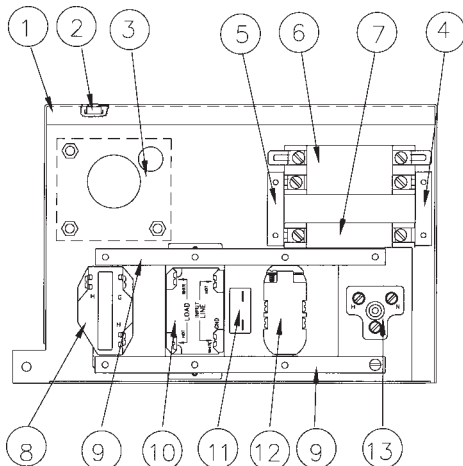
# CONTROL BOX ASSEMBLY

## BACK PANEL



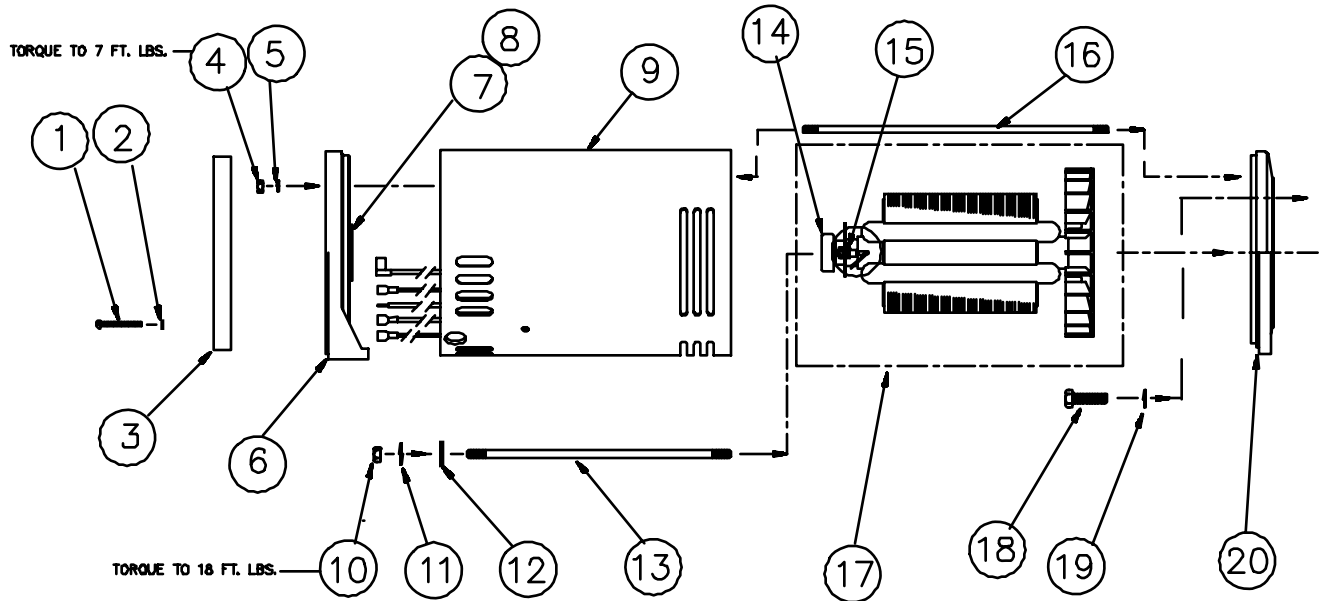
| REF | PART #    | QTY | DESCRIPTION     |
|-----|-----------|-----|-----------------|
| 1   | 15167-000 | 1   | Foam 8"         |
| 2   | 15051-000 | 3   | Capacitor       |
| 3   | 15226-000 | 1   | Capacitor Clamp |
| 4   | 15846-000 | 1   | Back Panel      |

## FRONT PANEL



| REF | PART #    | QTY | DESCRIPTION                      |
|-----|-----------|-----|----------------------------------|
| 1   | 15845-002 | 1   | Control Panel                    |
| 2   | 92495-000 | 4   | Nut Retainer                     |
| 3   | 15806-010 | 1   | Yanmar Harness                   |
| 4   | 64045-003 | 1   | Ground Strap                     |
| 5   | 64045-003 | 1   | Ground Strap                     |
| 6   | 57030-009 | 1   | Circuit Breaker, 240 Volt 25 Amp |
| 7   | 91977-006 | 1   | Circuit Breaker, 120 Volt 45 Amp |
| 8   | 57324-000 | 1   | Receptacle, NEMA I6-30R          |
| 9   | 64045-006 | 2   | Ground Strap                     |
| 10  | 15147-002 | 1   | GFCI Receptacle, NEMA 5-15R      |
| 11  | 91286-000 | 1   | Circuit Breaker 120 Volt 15 Amp  |
| 12  | 24749-000 | 1   | Receptacle, NEMA 5-15R           |
| 13  | 54545-000 | 1   | Receptacle, NEMA 5-50R           |

# GENERATOR ASSEMBLY



| REF | PART #    | QTY | DESCRIPTION                 | REF | PART #    | QTY | DESCRIPTION              |
|-----|-----------|-----|-----------------------------|-----|-----------|-----|--------------------------|
| 1   | 15013-001 | 4   | Machine Screw #10-32 X 1.75 | 11  | 480-001   | 1   | Lockwasher 5/16          |
| 2   | 21975-000 | 4   | Lockwasher #10              | 12  | 23558-000 | 1   | Flat Washer 5/16         |
| 3   | 15085-000 | 1   | End Cover                   | 13  | 23197-016 | 1   | Stud 5/16-24             |
| 4   | 15192-000 | 4   | Hex Nut 1/4-20              | 14  | 50215-000 | 1   | Bearing                  |
| 5   | 479-000   | 4   | Lockwasher 1/4              | 15  | 15047-001 | 1   | Diode (STD)              |
| 6   | 15156-003 | 1   | End Bracket                 |     | 15047-002 | 1   | Diode (REV)              |
| 7   | N/A       |     | Not Applicable              | 16  | 15068-009 | 4   | Stud 1/4-20              |
| 8   | N/A       |     | Not Applicable              | 17  | 15045-011 | 1   | Rotor Assembly           |
| 9   | 15091-011 | 1   | Stator Assembly             | 18  | 96002-040 | 4   | Cap Screw M8-1.25 X 40MM |
| 10  | 15193-000 | 1   | Hex Nut 5/16-24             | 19  | 97436-008 | 4   | Lockwasher M8            |
|     |           |     |                             | 20  | 15008-000 | 1   | Engine Adapter Bracket   |

## TECHNICAL DATA

### Generator Output

|                        |      |
|------------------------|------|
| Surge Watts            | 6000 |
| Continuous Watts       | 5500 |
| Amperage Rating        |      |
| 120V                   | 45.8 |
| 240V                   | 22.9 |
| Motor Starting Ability | 3 HP |
| Engine RPM             | 3600 |

### Generator Resistance

|                 |           |
|-----------------|-----------|
| Rotor           | 2.0 Ohms  |
| Stator Leads    |           |
| G1-N            | .132 Ohms |
| G3-N            | .265 Ohms |
| Capacitor Leads | .365 Ohms |
| Winding Spec.   | SS1533    |

**WINCO**®

INCORPORATED  
225 South Cordova  
Le Center, MN 56057  
1-507-357-6831