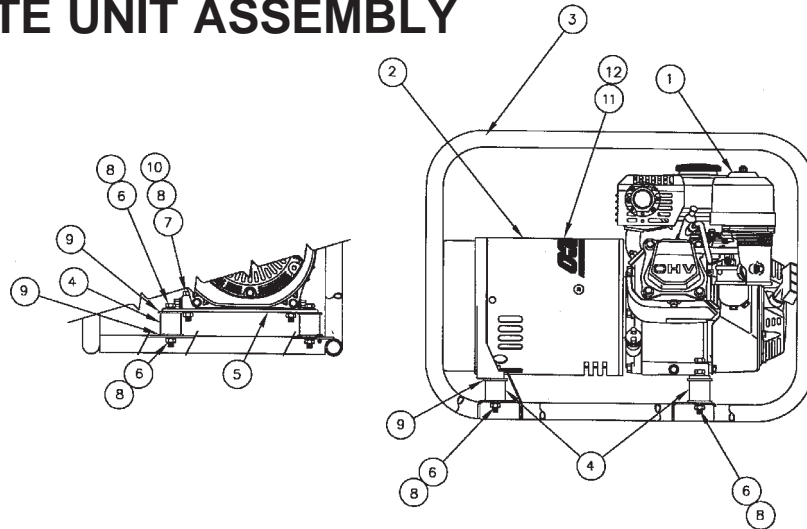


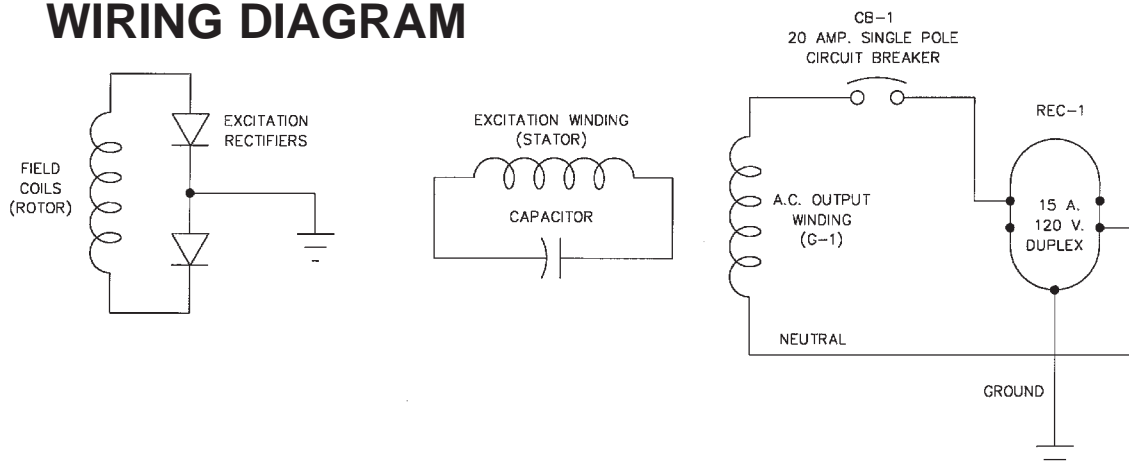
MODEL WT3000H/A

COMPLETE UNIT ASSEMBLY

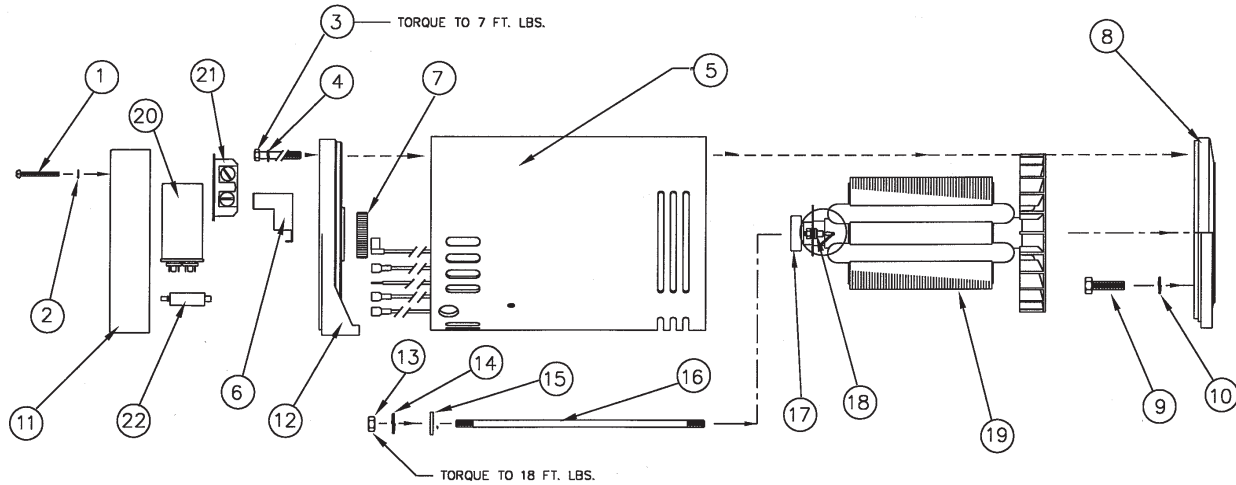


REF	PART NBR	QTY	DESCRIPTION
1	15250-000	1	Engine GX160 K1 VW2
2	15041-029	REF	Generator Assembly
3	63073-013	1	Cradle Assembly
4	64062-000	4	Shockmounts
5	15986-001	1	Engine Mounting Bracket
6	467-000	8	5/16 - 18 X .75 Hex Head Bolt
7	468-000	2	5/16 - 18 X 1.50 Hex Head Bolt
8	480-000	14	5/16 Lockwasher
9	23760-000	4	1.5 OD X .344 ID Flat Washer
10	458-000	6	5/16 - 18 Hex Nut
11	15370-003	1	Model, Decal
12	64214-042	1	WINCO Industrial, Decal
NI	15209-000	1	Warning Decals

WIRING DIAGRAM



GENERATOR ASSEMBLY



REF	PART NBR	QTY	DESCRIPTION
1	15013-000	4	#10 -32 X 1.75 Pan Screw
2	21975-000	4	#10 Lockwasher
3	15530-002	4	1/4 - 20 Special Stud
4	479-000	4	1/4 Lockwasher
5	15093-000	1	Stator Assembly Complete
6	15088-000	1	Capacitor Strap
7	15122-000	1	Tolerance Ring
8	15053-001	1	Engine End Bracket
9	91547-000	4	5/16 - 24 X 1.0 Hex Head Bolt
10	480-000	4	5/16 Lockwasher
11	15133-003	1	End Cover Bare
12	15156-001	1	Bearing Bracket
13	15193-000	1	5/16 - 24 Hex Nut
14	480-001	1	5/16 Lockwasher
15	23558-000	1	11/32 X 1 1/8 Flat Washer
16	23197-007	1	Thru Bolt
17	55223-000	1	Bearing
18	15047-001	1	Diode (STD)
19	15045-003	1	Rotor Complete
20	15051-000	1	Capacitor
21	24749-000	1	Duplex Receptacle
22	91286-001	1	20 A. 120 V. Circuit Breaker

GENERATOR SPECIFICATIONS

Rotor	0.87 Ohms
G1 to N	0.55 Ohms
Capacitor Leads	1.75 Ohms
AC Residual Voltage	7.0 VAC G1 to N
Winding Spec.	SS#1530
AC Connection	AC#369

WINGO[®] INC
 A Division of **DTP** Dyna Technology Inc
 225 South Cordova Avenue
 Le Center MN 56057
 507-357-6831