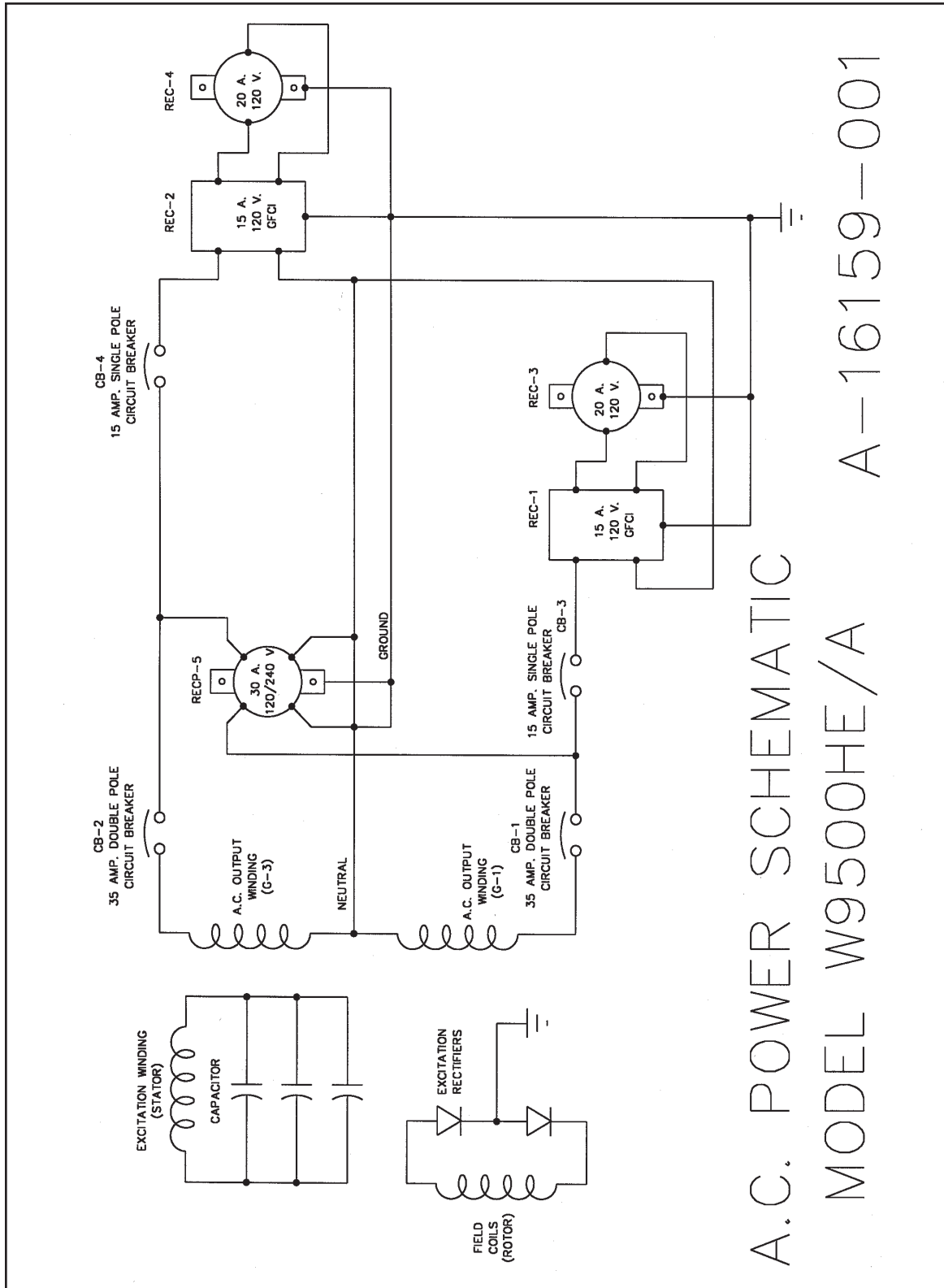
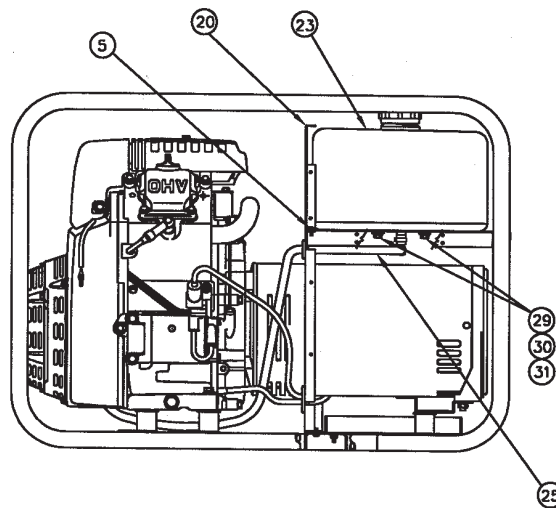
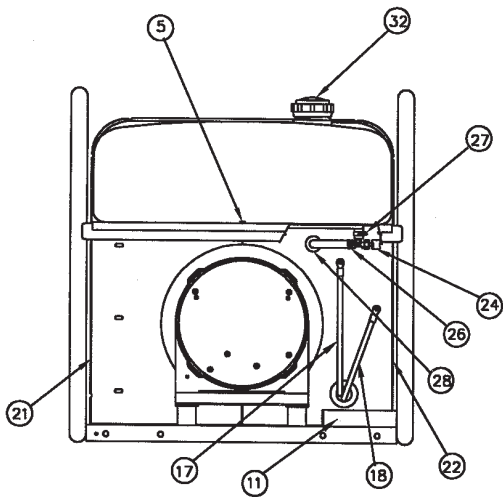
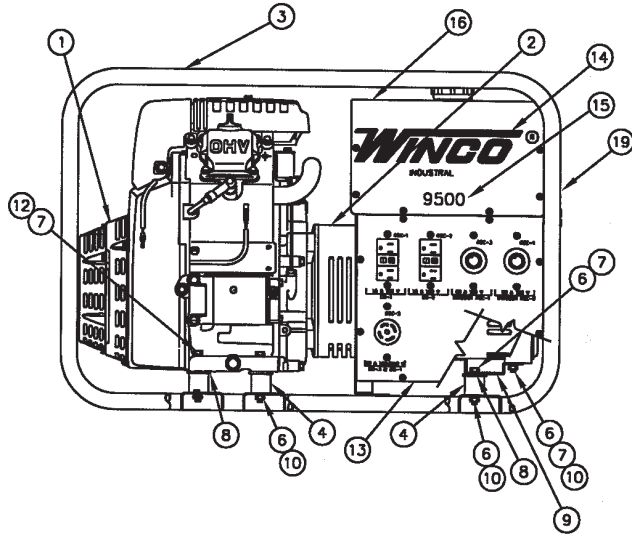
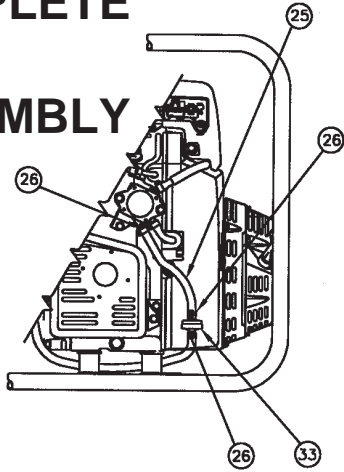


MODEL W9500HE/A



COMPLETE UNIT ASSEMBLY

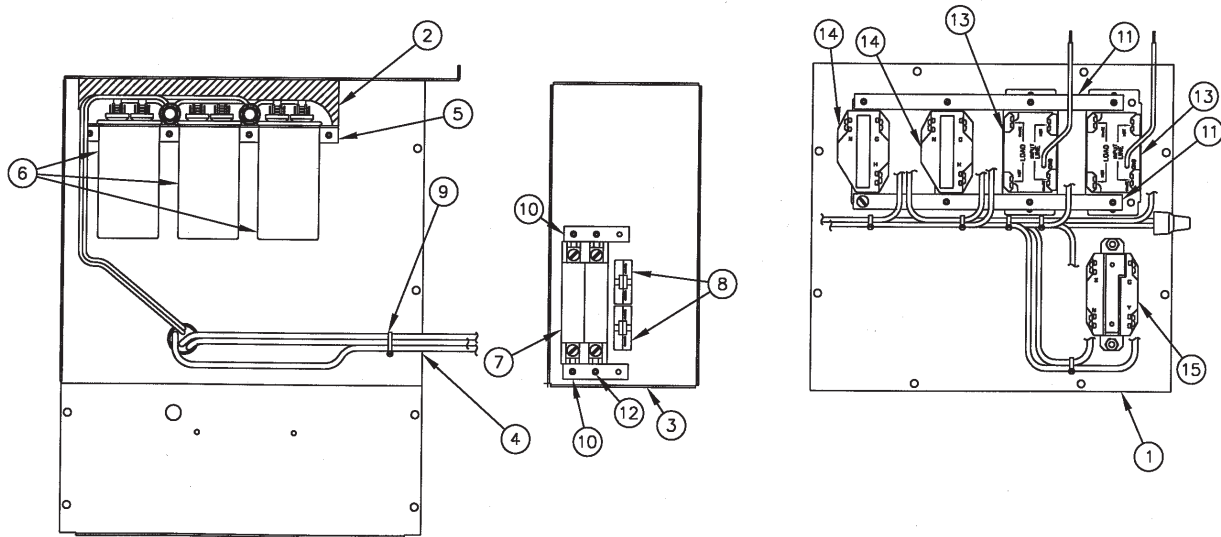


REF	PART NBR	QTY	DESCRIPTION
1	15959-000	1	Engine, Honda GX610VZA
2	15041-025	REF	Generator Assembly
3	63073-005	1	Cradle Assembly
4	64062-000	6	Shockmount
5	21698-001	25	#10 X 3/8 Self Tapping Screw
6	580-000	2	5/16-18 X 1.25 Hex Head Bolt
7	480-000	14	5/16 Lockwasher
8	23760-001	6	1.5 OD X .344 ID Flat Washer
9	15084-000	1	Generator Support Bracket
10	458-000	8	5/16-18 Hex Nut
11	15676-001	1	Battery Tray
12	9416-000	4	5/16-18 X 1.75 Hex Head Bolt
13	16176-001	1	Receptacle Box
14	64214-042	1	Winco Decal
15	15370-000	1	Model Decal
16	15227-003	1	Tank Cover
17	15767-006	1	POS Battery Cable
18	15767-007	1	NEG Battery Cable
19	15144-001	1	Tank End Baffle
20	15462-007	1	Tank Tray

COMPLETE UNIT ASSEMBLY CONTINUED

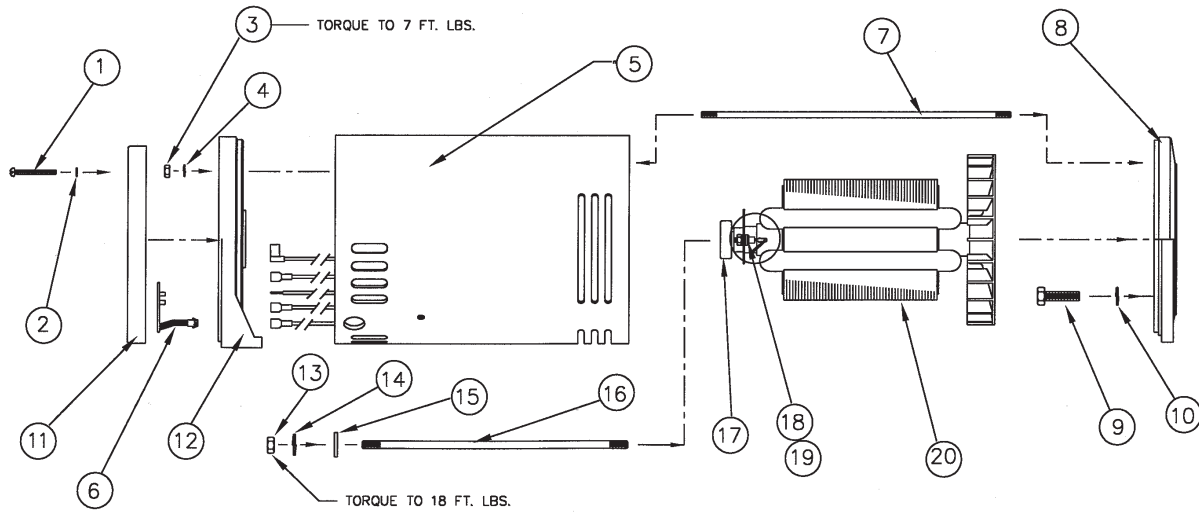
REF	PART NBR	QTY	DESCRIPTION
21	15223-007	1	Left Fuel Tank Support
22	15222-007	1	Right Fuel Tank Support
23	64024-000	1	4.5 Gallon Fuel Tank
24	98771-000	1	Fuel Line Valve
25	40078-000	48"	Fuel Hose
26	62999-001	4	Clamp, Fuel Hose
27	81018-008	1	Clamp
28	56927-000	1	Grommet
29	466-000	2	1/4-20 x .75 Hex Head Bolt
30	512-000	2	1/4 Flat Washer
31	16133-000	2	3/4 OD X 1/4 ID X 1/8 Leather Washer
32	15482-000	1	Fuel Tank Cap
33	62496-000	1	Fuel Filter

RECEPTACLE PANEL ASSEMBLY



REF	PART NBR	QTY	DESCRIPTION
1	15458-006	1	Front Panel, Bare
2	15167-000	4"	Foam
3	15221-004	1	Circuit Breaker Panel, Bare
4	15221-001	1	Bottom, Top and Back Panel
5	15226-000	1	Capacitor Clamp
6	15051-000	3	Capacitor
7	57030-003	1	35 A. 240 V. Circuit Breaker
8	91286-000	2	15 A. 120 V. Circuit Breaker
9	49975-010	15	Cable Ties
10	64045-012	2	3 Hole Mounting Strap
11	64045-001	2	4 Hole Mounting Strap
12	21698-001	25	#10 X 3/8 Self Tapping Screw
13	15147-002	2	15 A. 120 V. GFCI Duplex
14	56279-000	2	20 A. 120 V. Twistlock Receptacle
15	97360-000	1	30 A. 120/240 V. 4-Wire Receptacle

GENERATOR ASSEMBLY



REF	PART NBR	QTY	DESCRIPTION
1	15013-001	4	#10-32 X 1.75 Screw
2	21975-000	4	#10 Lockwasher
3	15192-000	4	1/4-20 Hex Nut
4	479-000	4	1/4 Lockwasher
5	15091-006	1	Stator
6	15110-000	1	Converter Module
7	15068-010	4	1/4-20 Stator Bolt
8	15008-000	1	Engine Mtg Brkt
9	91658-003	4	3/8-16 X 1.5 Cap Screw
10	481-000	4	3/8 Lockwasher
11	15085-000	1	End Cover
12	15156-003	1	Bearing Brkt
13	15193-000	1	5/16-20 Hex Nut
14	480-001	1	5/16 Lockwasher
15	23558-000	1	11/32 x 1 1/8 Flat Washer
16	23197-028	1	1/16 X 12 1/8 Thru Bolt
17	50215-000	1	Bearing
18	15255-001	1	Diode (std)
19	15255-002	1	Diode (rev)
20	15045-009	1	Rotor, Complete

GENERATOR SPECIFICATIONS

Rotor	0.73 Ohms
G1 to N	0.125 Ohms
G3 to N	0.125 Ohms
Capacitor Leads	0.23 Ohms
AC Residual Voltage	7.0 VAC G1 to G3
Winding Spec.	SS#1538
AC Connection	AC#367

WINGCO[®] INC
 A Division of **DTP** Dyna Technology Inc
 225 South Cordova Avenue
 Le Center MN 56057
 507-357-6831