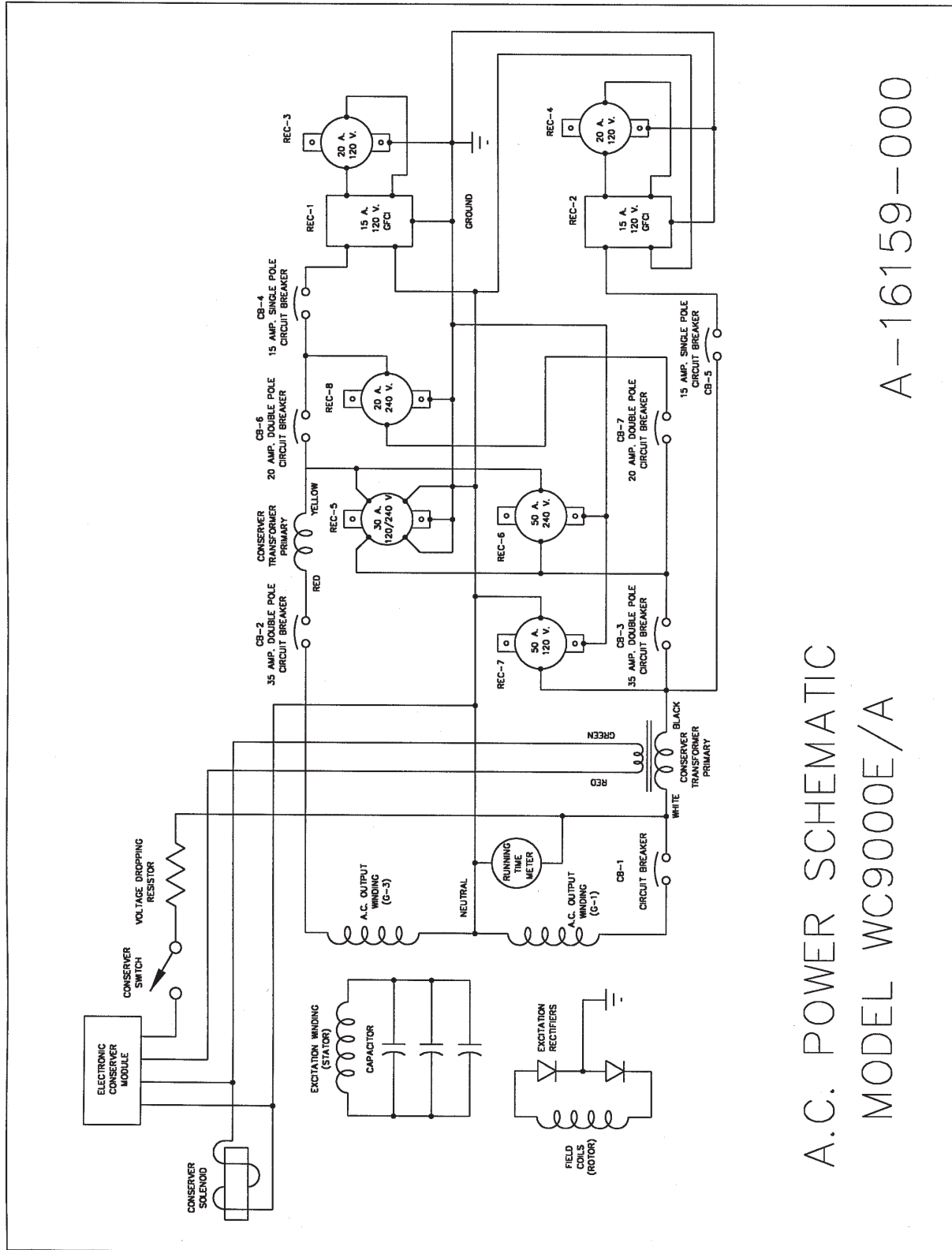


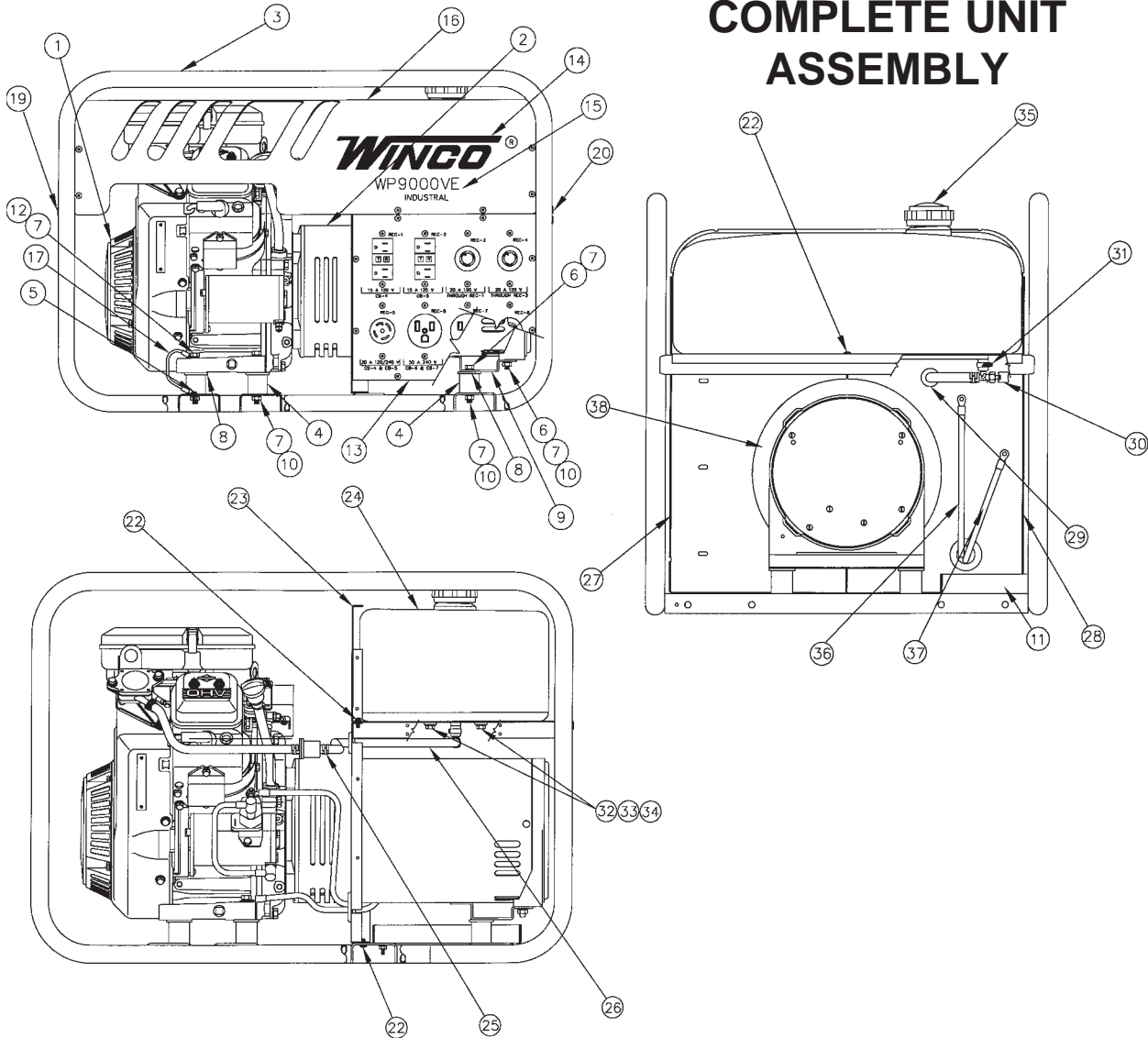
## MODEL WC9000E/A



A.C. POWER SCHEMATIC  
MODEL WC9000E/A

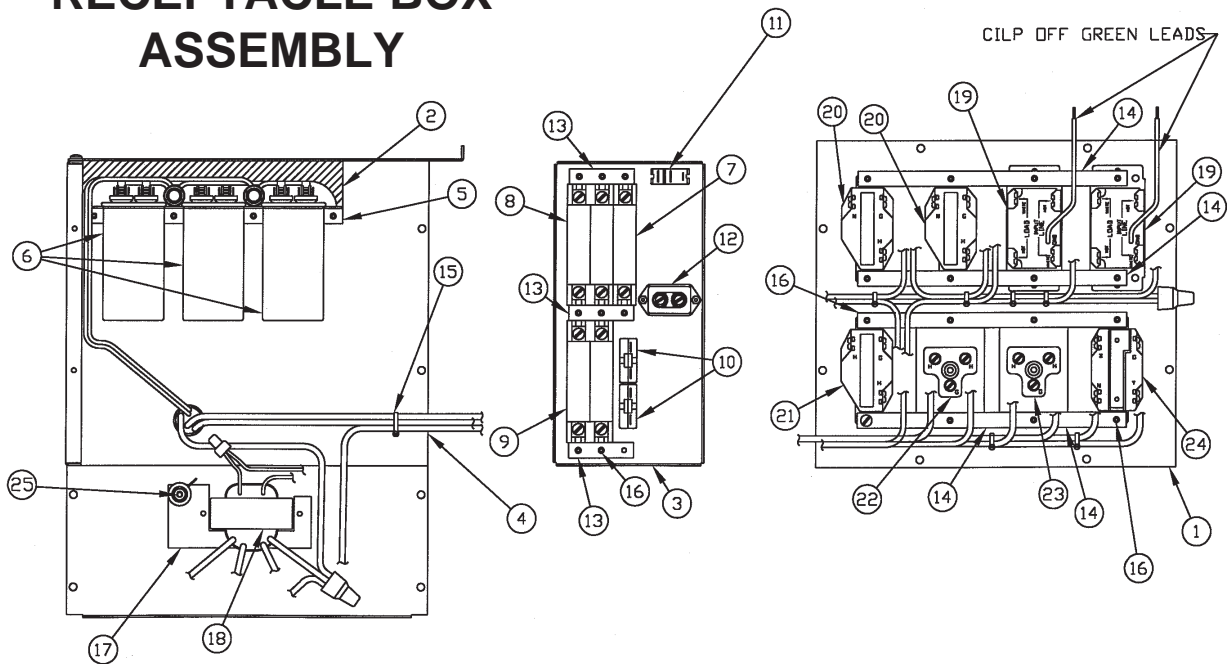
A-16159-000

# COMPLETE UNIT ASSEMBLY



REF	PART NBR	QTY	DESCRIPTION	REF	PART NBR	QTY	DESCRIPTION
1	15456-000	1	Engine	23	15462-007	1	Fuel Tank Tray
2	15041-009	Ref.	Generator Unassembled	24	64024-000	1	4.5 Gallon Fuel Tank
3	63073-005	1	Cradle	25	62999-001	2	Hose Clamp
4	64062-000	6	Shockmounts	26	40078-000	26"	Fuel Hose
5	21698-001	1	#10 X 3/8 Self Tapping Screw	27	15223-007	1	Left Support Panel
6	580-000	2	5/16-18 X 1.25 Hex HD Bolt	28	15222-007	1	Right Support Panel
7	480-000	14	5/16 Split Lockwasher	29	56927-000	2	Grommet
8	23760-001	6	1.50 O.D. X .344 I.D. Flat Washer	30	98771-000	1	Fuel Line Valve
9	15084-000	1	Generator Support Bracket	31	81018-008	1	Clamp
10	458-000	8	5/16 Hex Nut	32	466-000	2	1/4-20 X .75 Hex HD Bolt
11	15676-001	1	Battery Tray	33	512-000	2	1/4 Flat Washer
12	9416-000	6	5/16-18 X 1.75 Hex HD Bolt	34	16133-000	2	3/4 O.D. X 1/4 I.D. X 1/8 Flat Washer
13	15457-005	1	Receptacle Box	35	15482-000	1	Fuel Cap
14	64214-042	2	WINCO Decal	36	15767-007	1	Neg. Battery Cable
15	15370-010	2	Model Decal	37	15767-006	1	Pos. Battery Cable
16	15227-005	1	Top Cover	38	15287-000	30"	Air Seal
17	9769-145	1	Ground Wire Assembly	NI	64198-000	1	Spark Arrestor
19	15144-003	1	Engine End Baffle	NI	63941-001	1	Hot Warning Decal
20	15144-001	1	Generator End Baffle	NI	15209-000	1	Danger Decal Set
22	21698-001	9	#10 X 3/8 Self Tapping Screw				

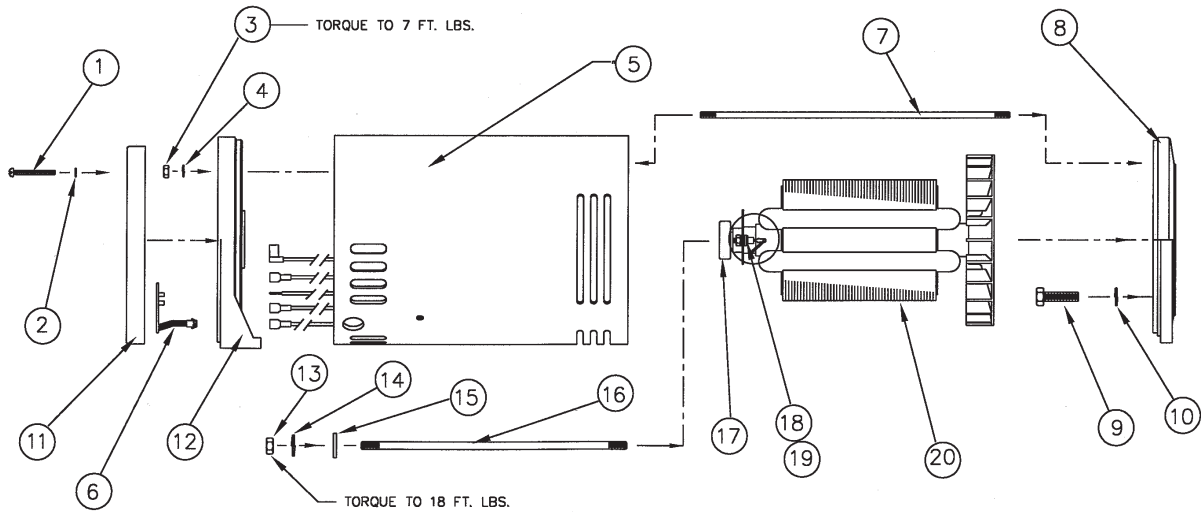
# RECEPTACLE BOX ASSEMBLY



THIS ASSEMBLY HAS BEEN DRAWN AS IF THE BOTTOM WAS LEFT UNBENT AND SOME PANELS SHOWN UNASSEMBLED IN ORDER TO SHOW PARTS MORE CLEARLY

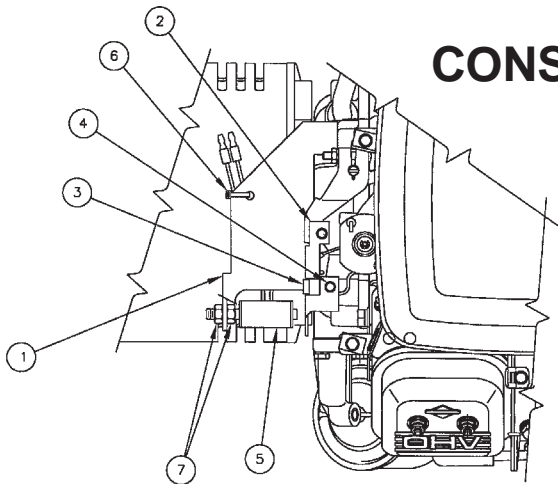
REF	PART NBR	QTY	DESCRIPTION
1	15458-005	1	Front Panel, Bare
2	15167-000	1	Foam 3" X 24"
3	15221-003	1	Circuit Breaker Panel
4	15221-001	1	Bottom, Top & Back Panel
5	15226-000	1	Capacitor Clamp
6	15051-000	3	Capacitor
7	91977-006	1	45A. 120V. Circuit Breaker
8	57030-003	1	35A. 240V. Circuit Breaker
9	57030-001	1	20A. 240V. Circuit Breaker
10	91286-000	2	15A. 120V. Circuit Breaker
11	64089-000	1	Rocker Switch
12	58166-001	1	Running Time Meter
13	64045-012	1	Mounting Strap
14	64045-001	1	Mounting Strap
15	49975-010	15	Cable Tie
16	21698-001	48	#10 X 3/8 Self Tapping Screw
17	16163-000	1	Resistor & Mounting Plate
18	63104-000	1	Transformer
19	15147-002	2	15A. 120V. GFCI Duplex (5-15R)
20	56279-000	2	20A. 120V. Receptacle (L5-20R)
21	56281-000	1	20A. 240V. Receptacle (L6-20R)
22	57325-000	1	50A. 240V. Receptacle (6-50R)
23	54545-000	1	50A. 120V. Receptacle (5-50R)
24	97360-000	1	30A. 120/240V. Receptacle (L14-30R)
25	80132-003	1	Resistor 25 Watts, 250 OHMS

# GENERATOR PARTS LIST



REF	PART NBR	QTY	DESCRIPTION	REF	PART NBR	QTY	DESCRIPTION
1	15013-001	4	#10-32 X 1.75 Screw	11	15085-000	1	End Cover
2	21975-000	4	#10 Lockwasher	12	15156-003	1	Bearing Brkt
3	15192-000	4	1/4-20 Hex Nut	13	15193-000	1	5/16-20 Hex Nut
4	479-000	4	1/4 Lockwasher	14	480-001	1	5/16 Lockwasher
5	15091-006	1	Stator	15	23558-000	1	11/32 x 1 1/8 Flat Washer
6	15110-000	1	Conservor Module	16	23197-028	1	1/16 X 12 1/8 Thru Bolt
7	15068-010	4	1/4-20 Stator Bolt	17	50215-000	1	Bearing
8	15008-000	1	Engine Mtg Brkt	18	15255-001	1	Diode (std)
9	91658-003	4	3/8-16 X 1.5 Cap Screw	19	15255-002	1	Diode (rev)
10	481-000	4	3/8 Lockwasher	20	15045-009	1	Rotor, Complete

# CONSERVOR MAGNET MOUNTING



PARTIAL TOP VIEW OF ENGINE

REF	PART NBR	QTY	DESCRIPTION
1	15270-000	1	Mounting Bracket
2	15291-000	1	Conservor Lever
3	62309-000	1	Clamp
4	55556-000	2	#8-32 X 3/8 Screw
5	15182-000	1	Conservor Magnet
6	49975-010	1	Cable Tie
7	44894-000	2	5/16-24 Jam Nut

# GENERATOR SPECIFICATIONS

Rotor	0.73 Ohms
G1 to N	0.125 Ohms
G3 to N	0.125 Ohms
Capacitor Leads	0.23 Ohms
AC Residual Voltage	7.0 VAC G1 to G3
Winding Spec.	SS#1538
AC Connection	AC#367

**WINGCO INC**  
 A Division of **DTI** Dyna Technology Inc  
 225 South Cordova Avenue  
 Le Center MN 56057  
 507-357-6831