

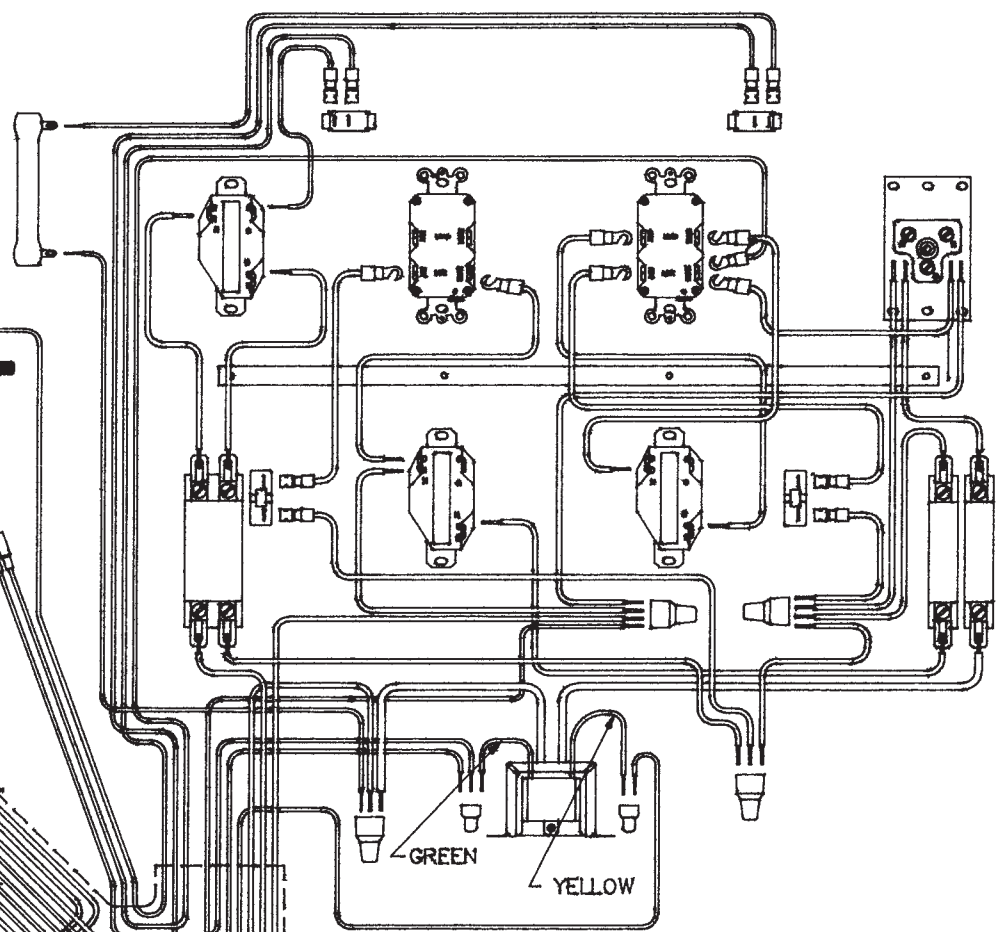
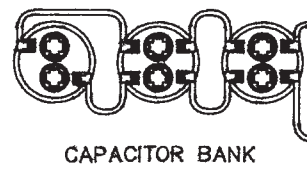
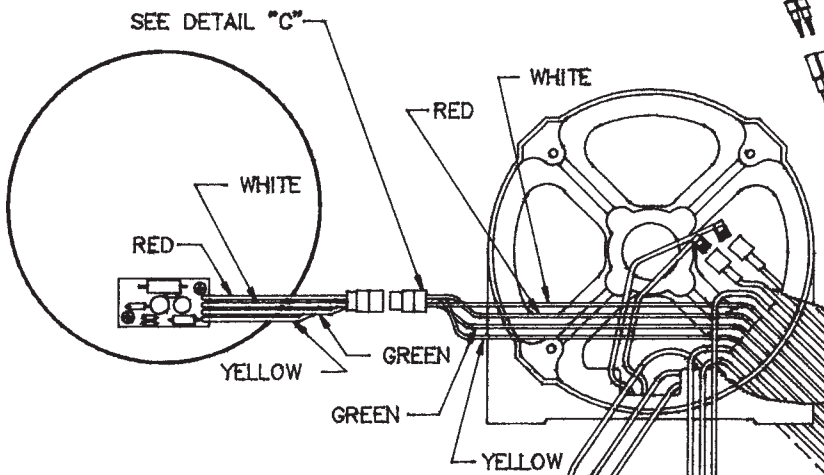
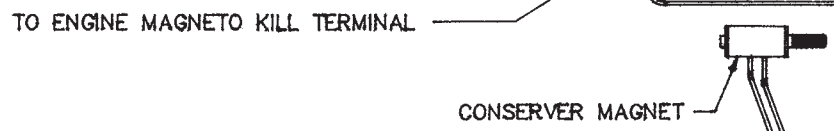
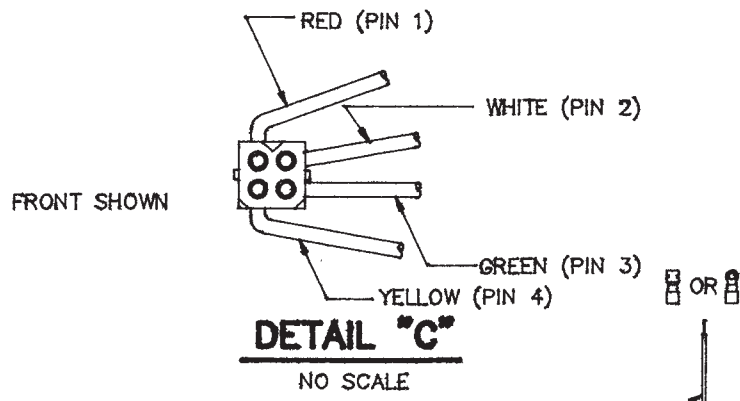
REF #	DESCRIPTION	QTY	HP6000E/L	HP6000H/L	HP6000HE/L
			PART #	PART #	PART #
100	ENGINE - HONDA - GX340VA	1	N/A	15467-000	N/A
	ENGINE - HONDA - GX340VAE	1	N/A	N/A	15428-000
	ENGINE - B&S 254427	1	64128-000	N/A	N/A
112	BRACKET, CONSERVER	1	61096-000	15416-000	15416-000
114	LEVER, CONSERVER	1	44892-000	15415-000	15415-000
115	CLAMP, CONSERVER LEVER	1	N/A	62309-000	62309-000
223	START SWITCH	1	2210-000	N/A	N/A
294	SWITCH, CONSERVER-SPST	1	64089-000	64089-000	64089-000
240	AC PANEL ASSY-HP6000/L	1	15159-001	15429-000	15429-000
241	ELECTRO-MAGNET, CONSERVE	1	15182-000	15182-000	15182-000
243	RESISTOR, CONS. 150/50W	1	48583-000	48583-000	48583-000
244	TRANSFORMER, CONSERVER	1	54196-000	54196-000	54196-000
245	RECEPT. - 240V L6-20R	1	56281-000	56281-000	56281-000
246	RECEPT. - 120V 5-50R	1	54545-000	54545-000	54545-000
247	RECEPT. - 120V L5-30R	1	56359-000	56359-000	56359-000
248	RECEPT. - 120V L5-20R	2	56279-000	56279-000	56279-000
249	GFCI RECEPT.- 120V 5-15R	2	15147-002	15147-002	15147-002
250	FRONT PANEL ONLY	1	15399-000	15399-000	15399-000
251	CONSERVER MODULE	1	15110-000	15110-000	15110-000
258	CIRCUIT BREAKER - 15A 1P	2	64230-000	64230-000	64230-000
259	CIRCUIT BREAKER - 20A 2P	1	57030-001	57030-001	57030-001
260	CIRCUIT BREAKER - 30A 1P	1	91977-005	91977-005	91977-005
261	CIRCUIT BREAKER - 45A 1P	1	91977-006	91977-006	91977-006
280	CAPACITOR (40mfd/370V)	3	15051-000	15051-000	15051-000
290	END COVER ASSY	1	15089-000	15089-000	15089-000
291	END COVER (BARE)	1	15085-000	15085-000	15085-000
502	THRU-BOLT	1	23197-026	23197-026	23197-026
511	END BRACKET - ENG END	1	15008-001	15008-001	15008-001
512	END BRACKET - BRG END	1	15533-001	15533-001	15533-001
	STEEL SHIM - BRG BKT	1	N/A	N/A	N/A

REF #	DESCRIPTION	QTY	HP6000E/L PART #	HP6000H/L PART #	HP6000HE/L PART #
	TOLERANCE RING - BRG BKT	1	N/A	N/A	N/A
	NOTE REF 512 HAS BEEN UPGRADED AND REQUIRES NO SHIM OR TOLERANCE RING BUT A NEW BEARING MUST BE USED SEE BELOW.				
514	STATOR ASSEMBLY-	1	15091-007	15091-007	15091-007
530	ROTOR ASSY W/BRG & FAN	1	15045-006	15045-006	15045-006
	NOTE IF YOU ARE CHANGING THE BEARING BRACKET ALSO WHEN ORDERING A ROTOR YOU WILL ALSO NEED TO ORDER THE BEARING LISTED BELOW.				
532	BEARING	1	50215-000	50215-000	50215-000
601	CRADLE	1	15178-000	15402-000	15402-000
602	GENERATOR SUPPORT BKT.	1	15084-000	15084-000	15084-000
603	SHOCK MOUNT	4	64062-000	64062-000	64062-000
610	UNIT TOP COVER, FORMED	1	15177-001	15431-000	15431-000
811	FUEL VALVE PANEL	1	15132-000	15403-000	15403-000
815	FUEL FILTER	1	62496-000	62496-000	62496-000
817	FUEL TANK- 4.5 GALLON	1	64024-000	64024-000	64024-000
820	FUEL CAP/GAUGE	1	62396-003	62396-003	62396-003
821	BATTERY RACK KIT	1	15063-004	N/A	15442-000
825	BAFFLE, HEAT SHEILD	1	15095-000	15418-000	15418-000
826	BAFFLE, END PANEL	1	15144-000	15144-000	15144-000
831	FOAM STRIP- 0.8" X 3ft	1	64101-000	64101-000	64101-000
901	DECAL - SAFETY/WARNING	1	15209-000	15209-000	15209-000
902	DECAL - HP6000	1	64214-042	64214-042	64214-042
998	OPERATORS MANUAL	1	60706-113	60706-113	60706-113
	REPAIR PARTS LIST	1	60701-214	60701-214	60701-214

## FOLLOWING INFORMATION IS FOR REFERENCE ONLY

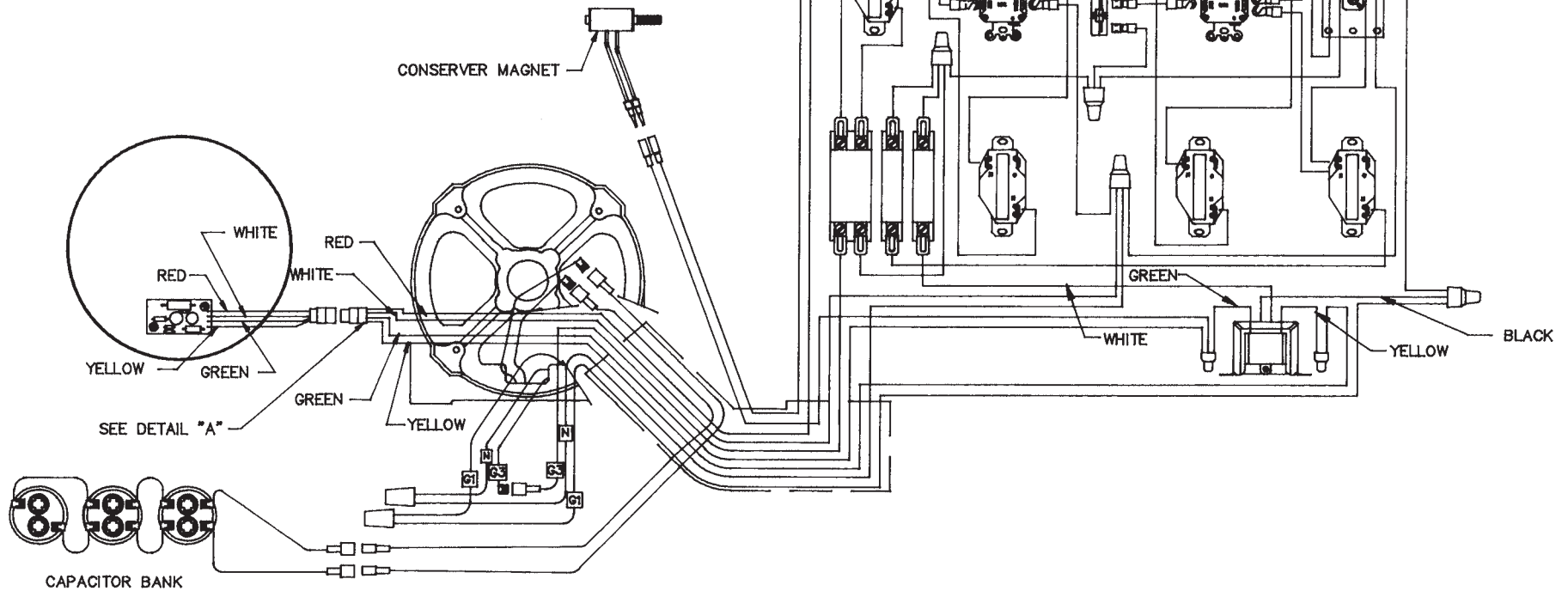
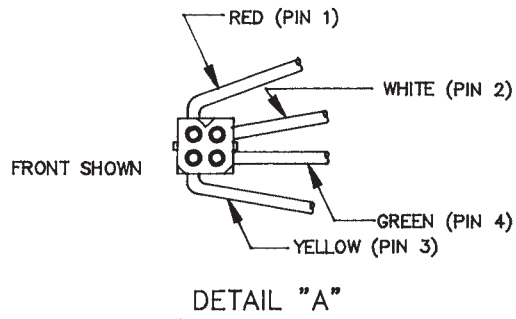
000	COMPLETE UNIT ASSEMBLY-M		15098-003	15430-002	15430-002
500	GEN. ASSY. - COMPLETE		15041-013	15041-013	15041-013
535	FAN		15136-002	15136-002	15136-002
566	RECTIFIER - STD POLARITY		15047-001	15047-001	15047-001
567	RECTIFIER - REV POLARITY		15047-002	15047-002	15047-002

REF #	DESCRIPTION	QTY	HP6000E/L PART #	HP6000H/L PART #	HP6000HE/L PART #
	AC RESIDUAL VOLTS	7.0 VAC L-L		G1 TO N 0.13 OHMS	
	ROTOR RESISTANCE	1.9 OHMS		G3 TO N 0.25 OHMS	
	WINDING SPEC.	SS# 1533		"Q" WINDING 0.35 OHMS	
	ARM. CONNECTION	AC#367			



**WIRING DIAGRAM**

MODEL **HP6000E/L**  
SD-15159-001



# WIRING DIAGRAM

# HP6000/H