

HP9000			/L	/M	/N	/P	/Q	HP9500HE/()	
REF #	DESCRIPTION	QTY	PART #	PART #	PART #	PART #	PART #	PART #	
100	ENGINE - B&S 303447 ENGINE HONDA GX610VZANH1	1	15268-000	15456-000	15456-000	15456-000	15456-000	15959-000	
112	BRACKET, CONSERVER	1	15270-000	15270-000	15270-000	15270-000	15270-000	15946-000	
114	LEVER, CONSERVER	1	15291-000	15291-000	15291-000	15291-000	15291-000	15954-000	
115	CLAMP, CONSERVER LEVER	1	62309-000	62309-000	62309-000	62309-000	62309-000	62309-000	
116	SPARK ARRESTOR GROUP	1	64159-000	64159-000	64159-000	64159-000	64159-000	64159-000	
200	AC PANEL ASSY-Complete	1	15206-000	15457-000	15457-000	15457-000	15457-002	15457-002	
201	FRONT PANEL (BARE)	1	15220-000	15458-000	15458-000	15458-000	15458-001	15458-001	
202	LOWER BAFFLE PANEL (BARE)	1	15223-000	15223-000	15223-000	15223-000	15223-000	15223-001	
203	UPPER BAFFLE PANEL (BARE)	1	15222-000	15222-000	15222-000	15222-000	15222-000	15222-001	
214	SWITCH, START/STOP	1	64316-000	STANDARD WITH THE VANGUARD ENGINE					
215	STARTER CABLE	1	15293-001	STANDARD WITH THE VANGUARD ENGINE					
216	BATTERY CABLE - POS (+)	1	15296-002	15296-002	15296-002	15296-002	15296-002	15296-002	
217	BATTERY CABLE - NEG (-)	1	15296-001	15296-001	15296-001	15296-001	15296-001	15296-001	
218	START SOLENOID	1	24061-000	STANDARD WITH THE VANGUARD ENGINE					
231	ELECTRO-MAGNET, CONSERVER	1	15182-000	15182-000	15182-000	15182-000	15182-000	15182-000	
232	CONSERVER MODULE	1	15110-000	15110-000	15110-000	15110-000	15110-000	15110-000	
233	RESISTOR, CONS. 250/25W	1	80132-003	80132-003	80132-003	80132-003	80132-003	80132-003	
234	TRANSFORMER, CONSERVER	1	63104-000	63104-000	63104-000	63104-000	63104-000	63104-000	
235	SWITCH, CONSERVER-SPST	1	64089-000	64089-000	64089-000	64089-000	64089-000	64089-000	
245	RECEPT. - 240V L6-20R	1	56281-000	56281-000	56281-000	56281-000	56281-000	56281-000	
246	RECEPT. - 120V 5-50R	1	54545-000	54545-000	54545-000	54545-000	54545-000	54545-000	
247	RECEPT. - 120V L5-30R	1	56359-000	56359-000	56359-000	56359-000	56359-000	56359-000	
248	RECEPT. - 240V 6-20R	1	56279-000	56279-000	56279-000	56279-000	56279-000	56279-000	
249	GFCI RECEPT.- 120V 5-15R	2	15147-002	15147-002	15147-002	15147-002	15147-002	15147-002	
250	RECEPT. - 240V 6-50R	1	57325-000	57325-000	57325-000	57325-000	57325-000	57325-000	
251	RECEPT.- 120/240V CS6369	1	91889-000	91889-000	91889-000	91889-000	91889-000	91889-000	
258	CIRCUIT BREAKER 120 Volt	2	64230-001	64230-001	64230-001	64230-001	91286-001	91286-001	
259	CIRCUIT BREAKER - 20A 2P	1	57030-001	57030-001	57030-001	57030-001	57030-001	57030-001	
260	CIRCUIT BREAKER - 30A 1P	1	91977-005	91977-005	91977-005	91977-005	91977-005	91977-005	
261	CIRCUIT BREAKER - 45A 1P	1	91977-006	91977-006	91977-006	91977-006	91977-006	91977-006	
262	CIRCUIT BREAKER - 35A 2P	1	57030-003	57030-003	57030-003	57030-003	57030-003	57030-003	
280	CAPACITOR (40mfd/370V)	3	15051-000	15051-000	15051-000	15051-000	15051-000	15051-000	

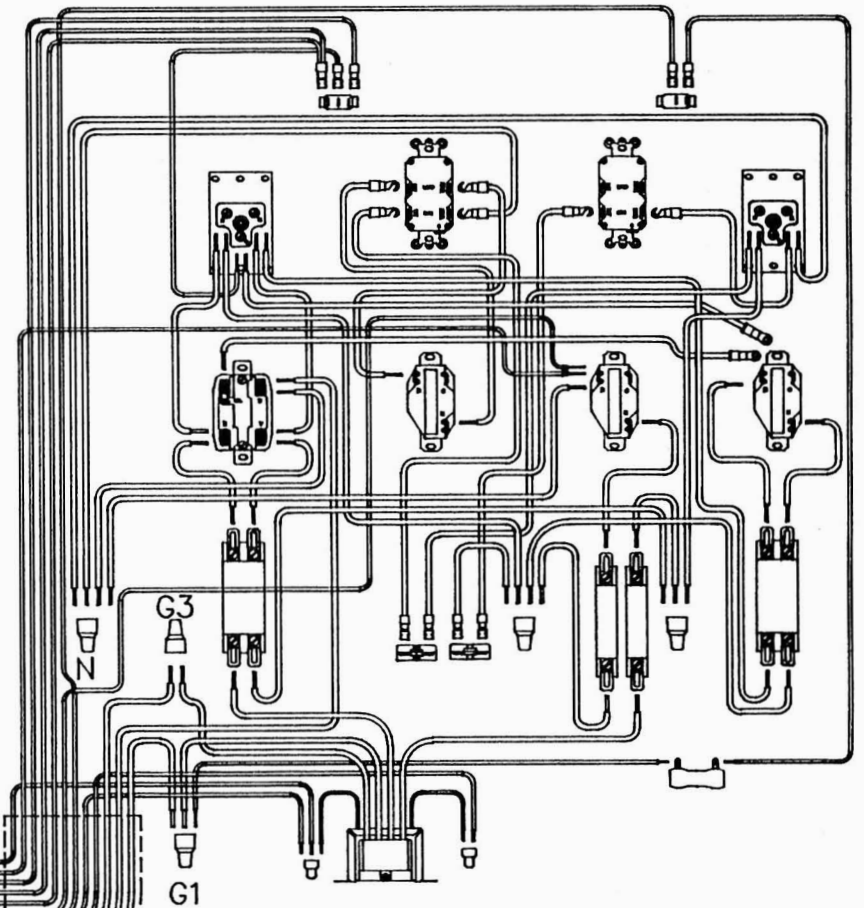
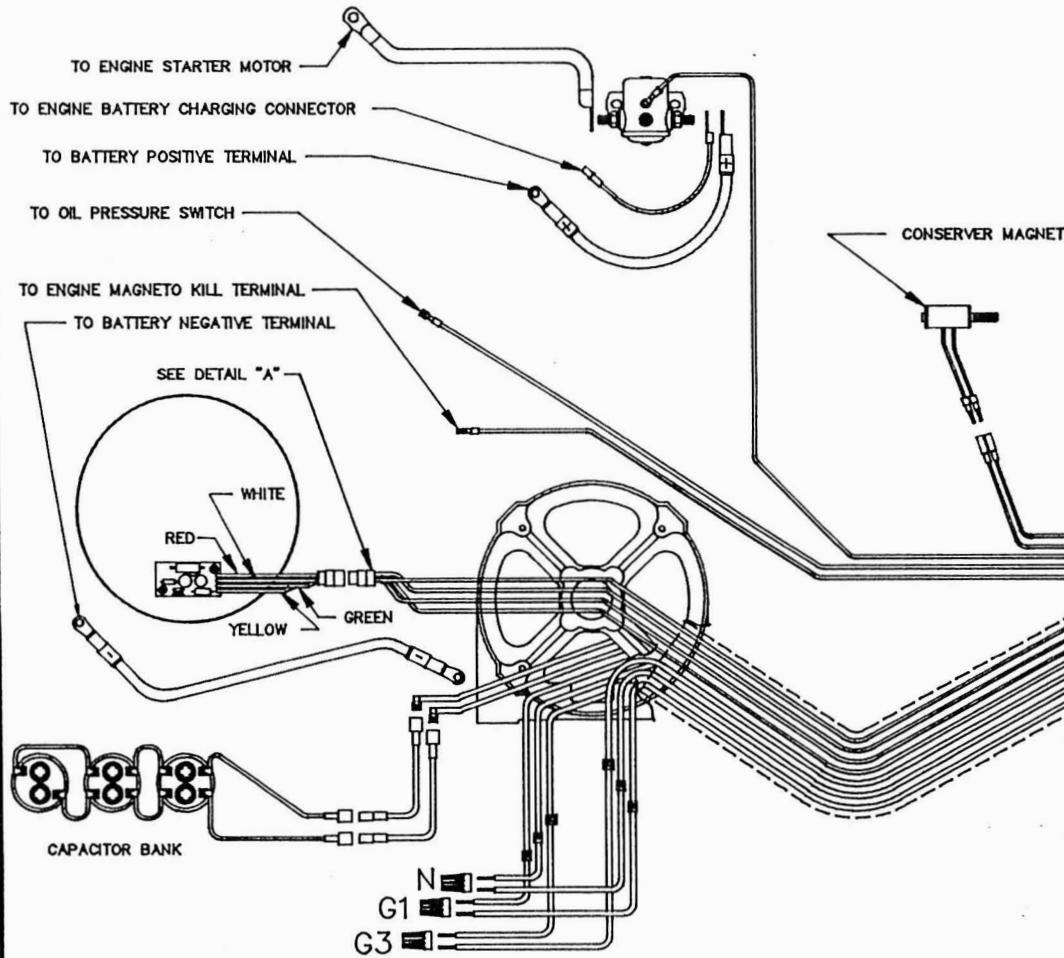
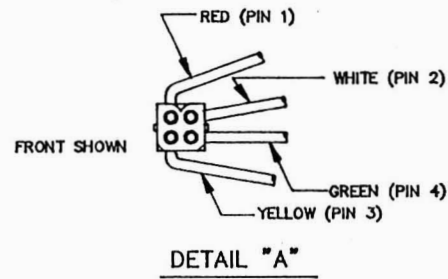
HP9000			/L	/M	/N	/P	/Q	HP9500HE/0
REF #	DESCRIPTION	QTY	PART #	PART #	PART #	PART #	PART #	PART #
290	END COVER ASSY	1	15089-000	15089-000	15089-000	15089-000	15089-000	15089-000
291	END COVER (BARE)	1	15085-000	15085-000	15085-000	15085-000	15085-000	15085-000
502	ROTOR THRU-BOLT (5/16-24)	1	23197-028	23197-028	23197-028	23197-028	23197-028	23197-028
511	END BRACKET - ENG END	1	15008-001	15008-001	15008-001	15008-000	15008-000	15008-000
512	END BRACKET - BRG END	1	USE /N	USE /N	15533-001	15533-002	15533-002	15533-002
	STEEL SHIM - BRG BKT	1	USE /N	USE /N	N/A	N/A	N/A	N/A
	TOLERANCE RING - BRG BKT	1	USE /N	USE /N	N/A	N/A	N/A	N/A
513	STATOR THRU-BOLT (1/4-20)	4	15068-010	15068-010	15068-010	15068-010	15068-010	15068-010
514	STATOR ASSEMBLY- RED	1	15091-008	15091-008	15091-008	15091-009	15091-009	15091-009
514	STATOR ASSEMBLY- YELLOW	1				15091-006	15091-006	15091-006
530	ROTOR ASSY W/BRG & FAN	1	USE /N	USE /N	15045-009	15045-009	15045-009	15045-009
532	BEARING	1	USE /N	USE /N	50215-000	50215-000	50215-000	50215-000
601	CRADLE	1	15213-000	15213-000	15213-000	15213-000	15213-000	15213-001
602	GENERATOR SUPPORT BKT.	1	15084-000	15084-000	15084-000	15084-000	15084-000	15084-000
603	SHOCK MOUNT	6	64062-000	64062-000	64062-000	64062-000	64062-000	64062-000
604	FORMED CHANNEL	1	15228-000	15228-000	15228-000	15228-000	15228-000	15228-000
610	UNIT TOP COVER, FORMED	1	15227-001	15227-001	15227-001	15227-001	15227-001	15227-002
811	REAR TANK SUPPORT PANEL	1	15214-000	15214-000	15214-000	15214-000	15214-000	15214-000
813	CAPACITOR BOX	1	15224-000	15224-000	15224-000	15224-000	15224-000	15224-000
814	CAPACITOR CLAMP	1	15226-000	15226-000	15226-000	15226-000	15226-000	15226-000
815	FUEL VALVE	1	64091-000	64091-000	64091-000	64091-000	64091-000	64091-000
817	FUEL TANK- 4.5 GALLON	1	64024-000	64024-000	64024-000	64024-000	64024-000	64024-000
820	FUEL CAP/GAUGE	1	62396-003	62396-003	62396-003	62396-003	62396-003	62396-003
821	BATTERY RACK KIT	1	15295-000	15295-000	15295-000	15295-000	15295-000	15295-000
825	END BAFFLE, F. TANK	1	15144-000	15144-000	15144-000	15144-000	15144-000	15144-000
831	FOAM STRIP- 0.8" X 3ft	1	64101-000	64101-000	64101-000	64101-000	64101-000	64101-000
901	DECAL SET - WARNING	1	15209-000	15209-000	15209-000	15209-000	15209-000	15209-000
902	DECAL - HP9000	1	64214-016	64214-016	64214-016	64214-016	64214-016	64214-016
906	NAMEPLATE	1	63966-000	63966-000	63966-000	63966-000	63966-000	63966-000
998	OPERATORS MANUAL	1	60706-113	60706-113	60706-113	60706-113	60706-113	60706-113

FOLLOWING INFORMATION IS FOR REFERENCE ONLY

REF #	DESCRIPTION	QTY	HP9000 /L PART #	/M PART #	/N PART #	/P PART #	/Q PART #	HP9500HE/ PART #
000	COMPLETE UNIT ASSEMBLY /P		15205-001	15455-001	15455-004	15455-007	15455-012	15455-016
500	GEN. ASSY. - COMPLETE		15041-016	15041-016	15041-017	15041-019	15041-019	15041-019
535	FAN		15136-002	15136-002	15136-002	15136-002	15136-002	15136-002
566	RECTIFIER - STD POLARITY		15255-001	15255-001	15255-001	15255-001	15255-001	15255-001
567	RECTIFIER - REV POLARITY		15255-002	15255-002	15255-002	15255-002	15255-002	15255-002

AC RESIDUAL VOLTS	7.0 VAC L-L	FIELD RESISTANCE	0.73 OHMS
CAPACITOR LEADS RESISTANCE	.23 OHMS	STATOR RESISTANCE	0.125 OHMS
WINDING SPEC.	SS#1538	ARM. CONNECTION	AC#367

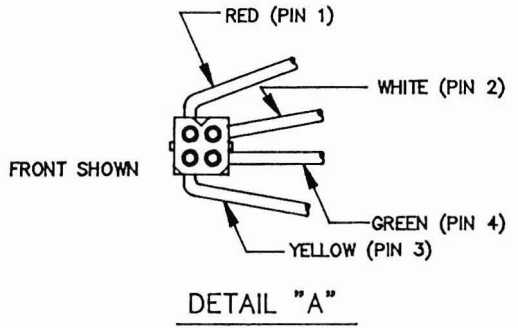
NOTE: REF 512 HAS BEEN UPGRADED AND NO LONGER REQUIRES SHIMS OR TOLERANCE RINGS



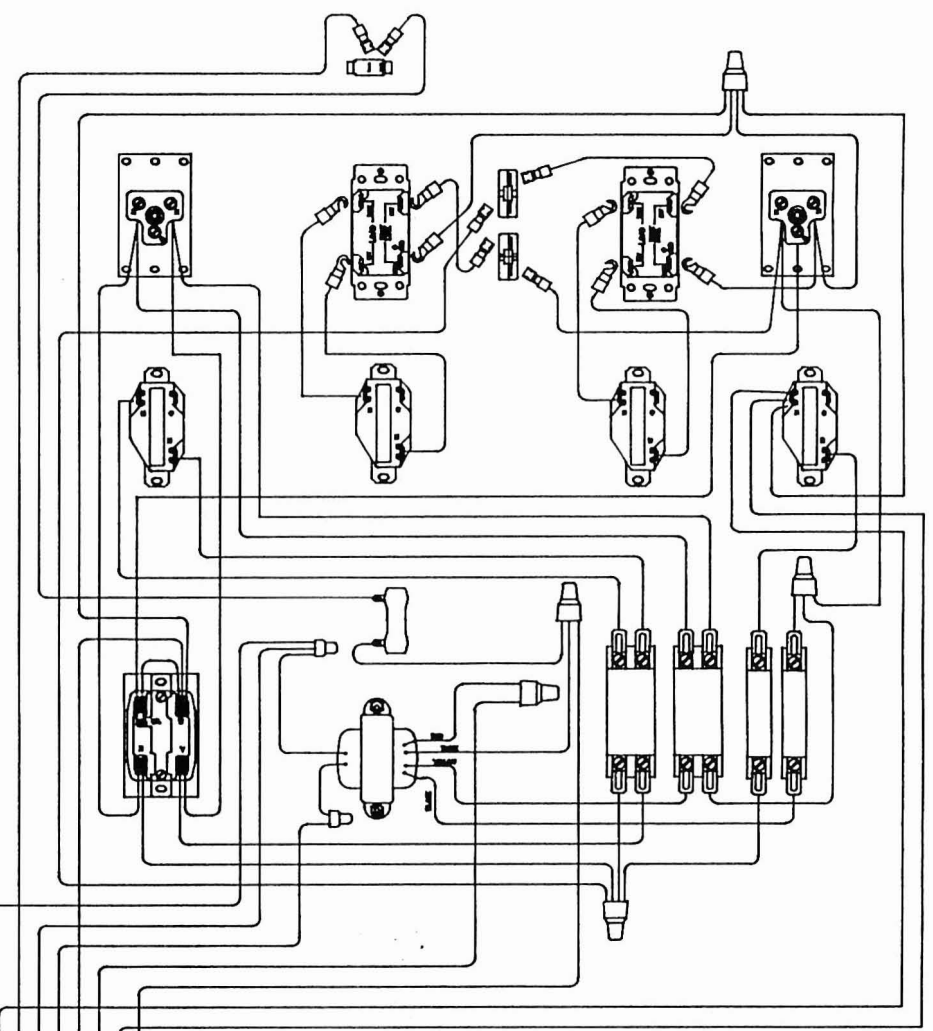
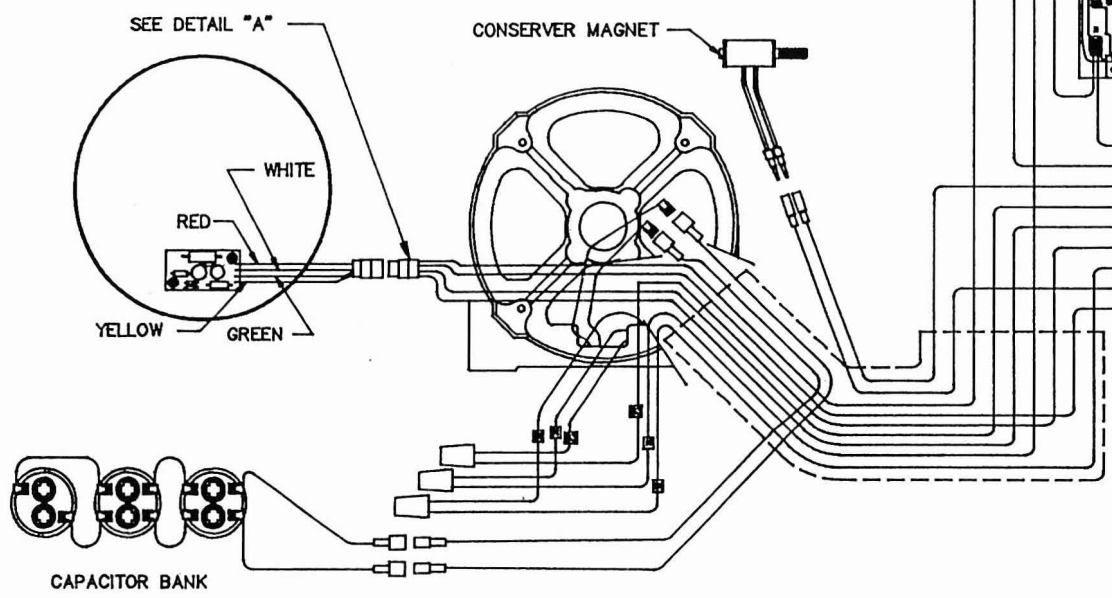
WIRING DIAGRAM

MODEL HP9000E

SD-15206D ISSUE 4



# WIRING DIAGRAM



HP 9500 HE/Q

6

HP9000/M

EDF 4-9-92

SD15457

ISSUE 7