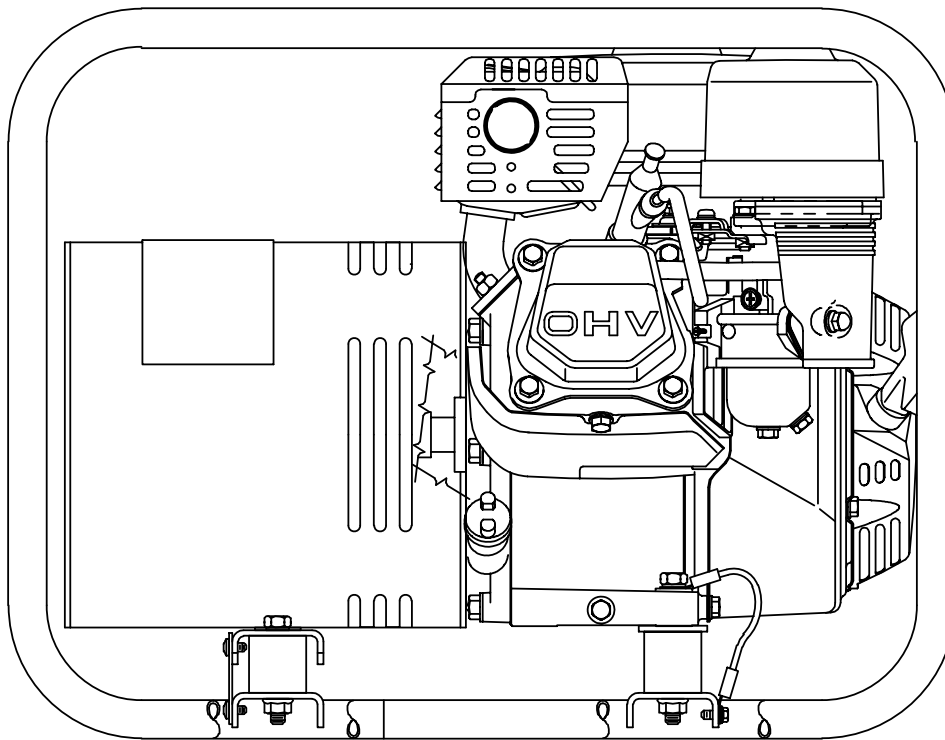
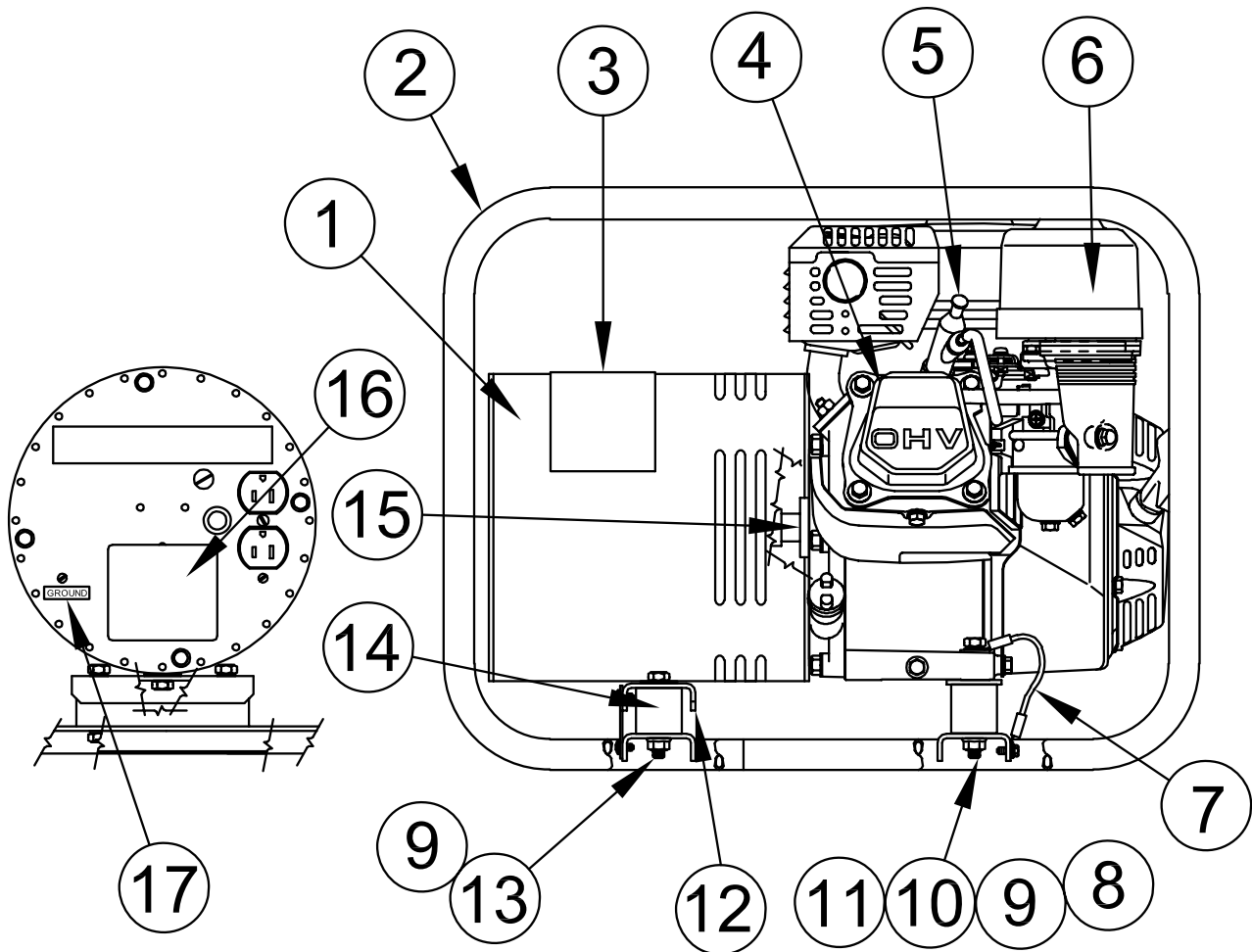


**ILLUSTRATED  
PARTS LIST**

**CSA D3000H/D**



# GENERATOR ASSEMBLY

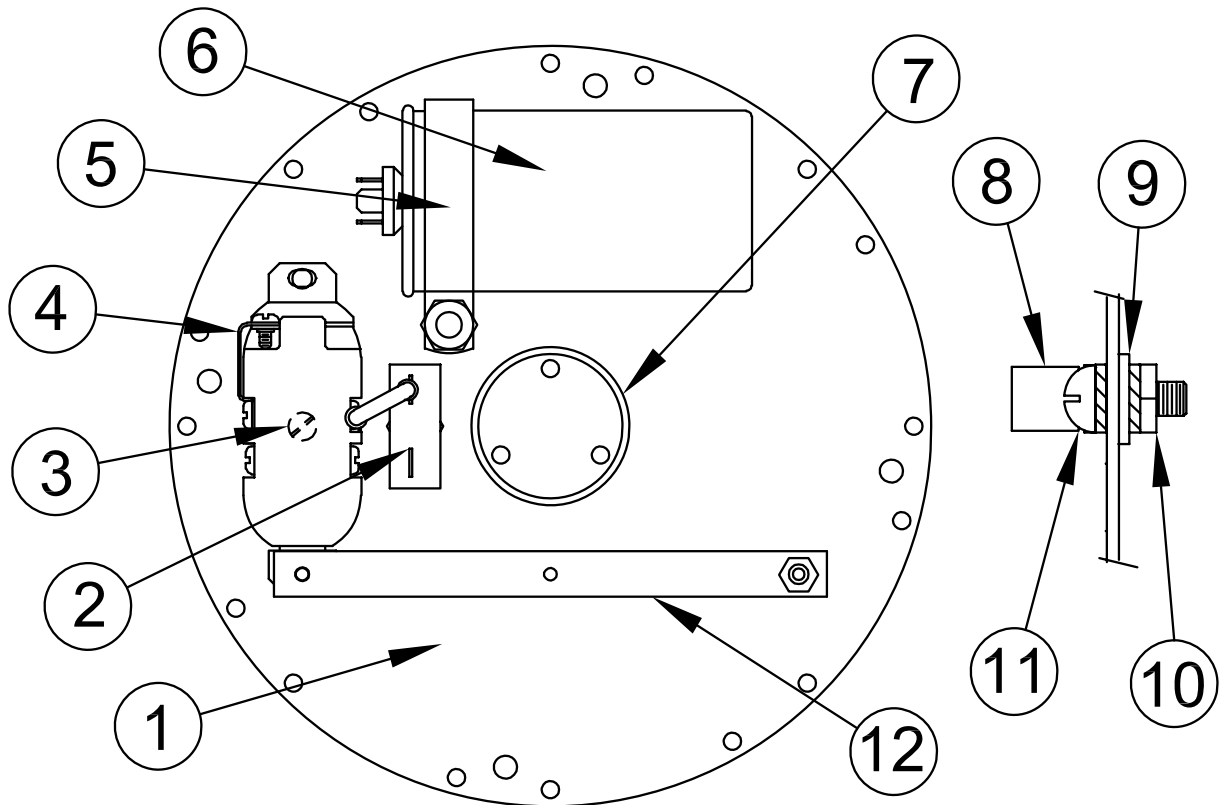


REF #	PART NUMBER	QTY	DESCRIPTION
1	15359-035	REF	Generator Assembly
2	61846-002	1	Cradle
3	15370-000	1	DYNA Decal
4	15256-000	1	Engine Honda GC160AVXA
5	BPR5EY	1*	NGK Spark Plug
6	17211-2L8-023	1**	Air Filter
7	9769-145	1	Lead Wire Assembly
8	468-000	2	5/16-18 X 1.5" Bolt
9	480-000	4	5/16 Split Lock Washer
10	16249-000	4	5/16-18 Flange Nut
11	23760-002	2	1.25" O.D. .344" I.D. Washer
12	15545-002	1	Generator Support Bracket
13	477-000	2	5/16-18 X .63" Bolt
14	64062-000	4	Shock Mount
15	56813-000	1	Approval Plate

REF #	PART NUMBER	QTY	DESCRIPTION
16	15553-000	1	Pilot Spacer
17	15750-000	1	Ground Decal
NI	15370-014	1	Model Decal
NI	63966-004	1	Nameplate
NI	15209-000	1	Danger Decal Set
NI	63941-001	1	Hot Warning Decal
NI	15209-100	1	CSA Danger Decal Set
NI	91718-000	1	RFI Decal
NI	64918-000	2	Carb Monox Danger Decal
NI	Not Illustrated		

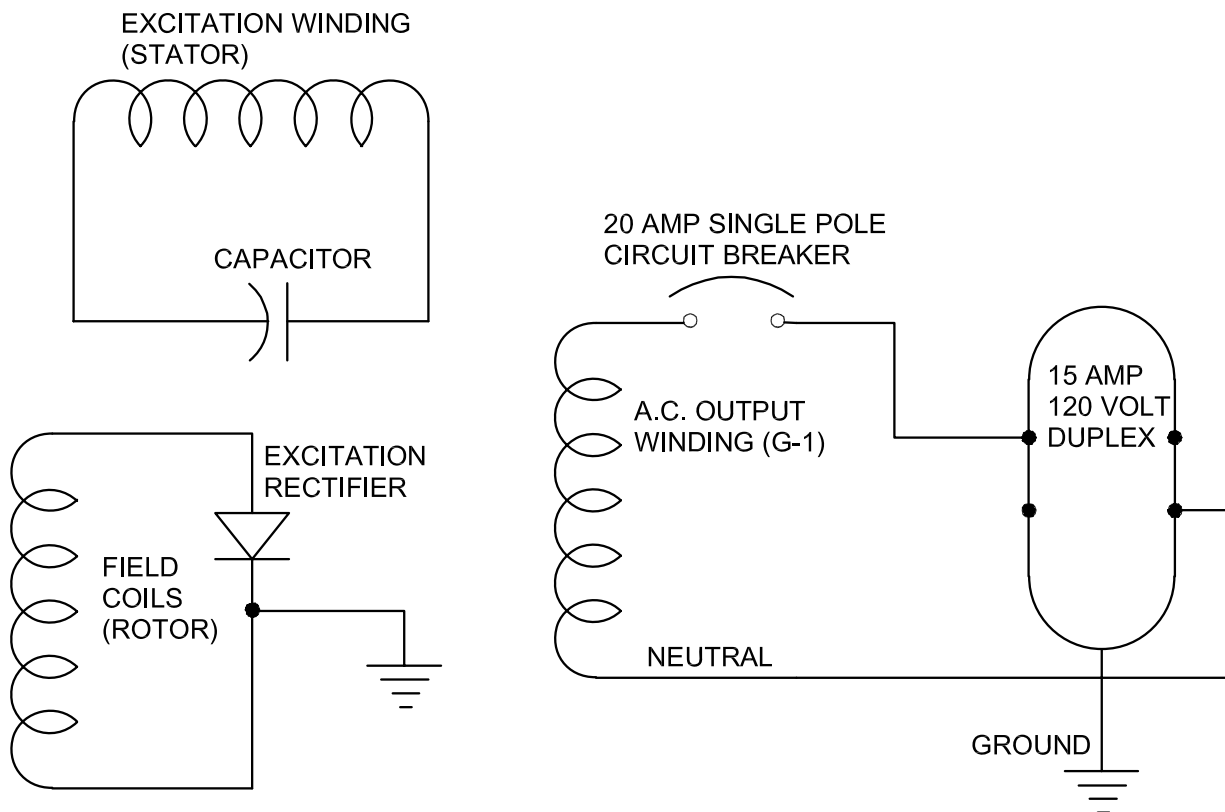
\* NGK Part #  
 \*\* Honda Part #

## END BRACKET ASSEMBLY

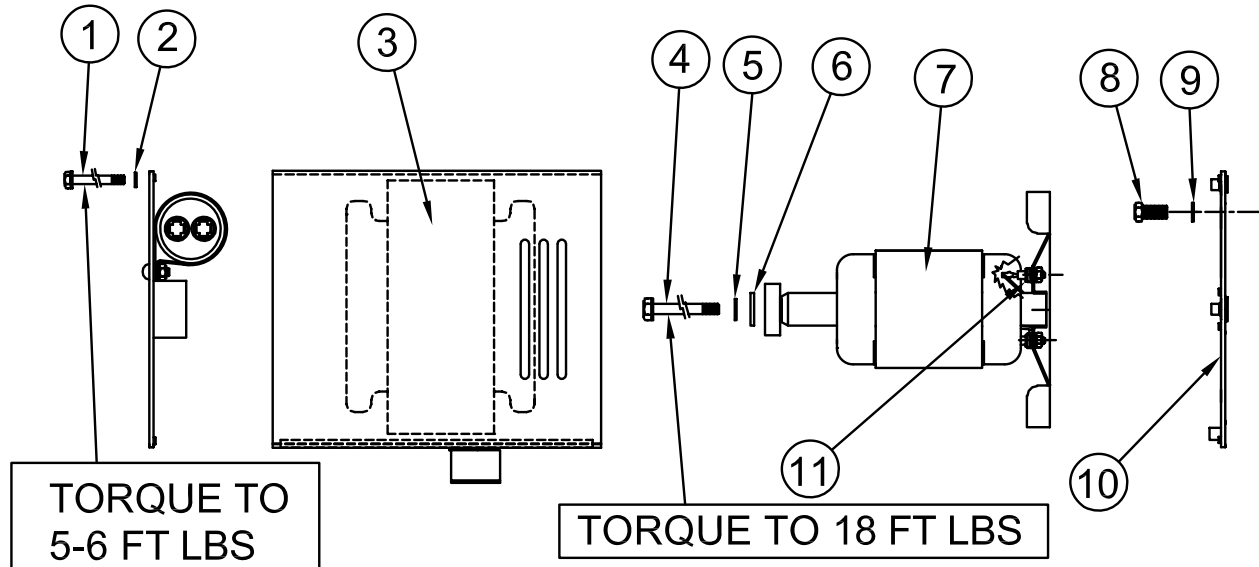


REF #	PART NUMBER	QTY	DESCRIPTION
1	15391-025	1	Welded End Bracket
2	91286-001	1	20 Amp Circuit Breaker
3	50766-000	1	20 Amp Receptacle
4	41387-009	1	Ground Strap
5	15374-002	1	Strap
6	15051-000	1	Capacitor
7	15122-000	1	Tolerance Ring
8	48042-001	1	Ground Lug
9	21975-000	2	#10 Int. Tooth Lock Washer
10	456-000	1	#10-24 Hex Nut
11	419-000	1	#10-24 X 1/2 Round Head Screw
12	64045-017	1	Mounting Strap

## WIRING DIAGRAM



# GENERATOR ASSEMBLY



REF #	PART NUMBER	QTY	DESCRIPTION
1	15530-002	4	1/4"-20 Bolt
2	479-000	4	1/4" Lock Washer
3	15359-035	1	Stator Assembly
4	15529-001	1	5/16"-24 Bolt
5	480-000	1	Lock Washer
6	23558-000	1	Washer
7	15359-412	1	Rotor Assembly
8	57199-000	4	Bolt
9	481-000	4	Lock Washer
10	15366-000	1	Engine Bracket
11	15047-001	1	Diode, Std. Polarity

**WINCO INC**  
*A Division of DTE Dyna Technology Inc*

225 S. CORDOVA AVE.  
 LECENTER, MN 56057  
 507-357-6821  
 SERVICE DEPT.  
 507-357-6831