

WINCO BRUSHLESS AC GENERATOR - 'POWERMITE SERIES'

--1--

DP4500/N, DP4500E/N, DP6000E/M 4500 4500E 6000E

REF #	DESCRIPTION	PART #	QTY	QTY	QTY		
1	100	ENGINE - B&S 190432-5511	15190-000	1	--	--	1
2	100	ENGINE - B&S 190437-5506	15191-000	--	1	--	2
3	100	ENGINE - B&S 252417-5573	15082-000	--	--	1	3
4	105	AIR-CLEANER BRACE	15058-000	1	1	--	4
5							5
6	248	RECEPT. - 120V 5-15R	24749-001	2	2	2	6
7	249	RECEPT. - 240V 6-20R	64111-000	1	1	1	7
8	258	CIRCUIT BREAKER - 15A	64230-000	2	2	--	8
9	259	CIRCUIT BREAKER - 20A	64230-001	--	--	2	9
10							10
11	280	CAPACITOR (40mfd/370V)	15051-000	1	1	2	11
12	290	END COVER ASSY W/RECEP	15049-000	1	1	--	12
13	290	END COVER ASSY W/RECEP	15109-000	--	--	1	13
14	291	END COVER (BARE)	15050-000	1	1	1	14
15							15
16	502	THRU-BOLT	15011-003	1	1	--	16
17	502	THRU-BOLT	23197-009	--	--	1	17
18	511	END BRACKET - ENG END	15008-001	1	1	1	18
19	512	END BRACKET - BRG END	15015-001	1	1	1	19
20							20
21	514	STATOR ASSEMBLY	15042-010	1	1	--	21
22	514	STATOR ASSEMBLY	15042-005	--	--	1	22
23	530	ROTOR ASSY W/BRG & FAN	15045-010	1	1	--	23
24	530	ROTOR ASSY W/BRG & FAN	15045-007	--	--	1	24
25	532	BEARING	55223-000	1	1	--	25
26							26
27	601	CRADLE	15066-000	1	1	--	27
28	601	CRADLE	15070-000	--	--	1	28
29	602	GENERATOR SUPPORT BKT.	15039-000	1	1	1	29
30	602	SHOCK MOUNT	64062-000	3	3	3	30
31	821	BATTERY RACK KIT	15063-000	--	1	1	31
32							32
33	901	DECAL SET - SAFETY	15209-000	1	1	1	33
34	902	DECAL, MOD ID - DP4500	64214-030	1	--	--	34
35	902	DECAL, MOD ID - DP4500E	64214-031	--	1	--	35
36	902	DECAL, MOD ID - DP6000E	64214-032	--	--	1	36
37							37
38	906	NAMEPLATE	63966-000	1	1	1	38
39	910	PACK GROUP	64206-022	1	1	--	39
40	910	PACK GROUP	64206-023	--	--	1	40
41							41
42	998	OPERATORS MANUAL	60706-079	1	1	1	42
43	999	SCHEMATIC DIAGRAM	15116-000	1	1	1	43
44							44
45	500	GEN. ASSY. - COMPLETE	15041-015	1	1	--	45
46	500	GEN. ASSY. - COMPLETE	15041-006	--	--	1	46
47							47
48	000	COMPLETE UNIT ASSEMBLY	15060-006	#	--	--	48
49	000	COMPLETE UNIT ASSEMBLY	15060-007	--	#	--	49
50	000	COMPLETE UNIT ASSEMBLY	15083-001	--	--	#	50

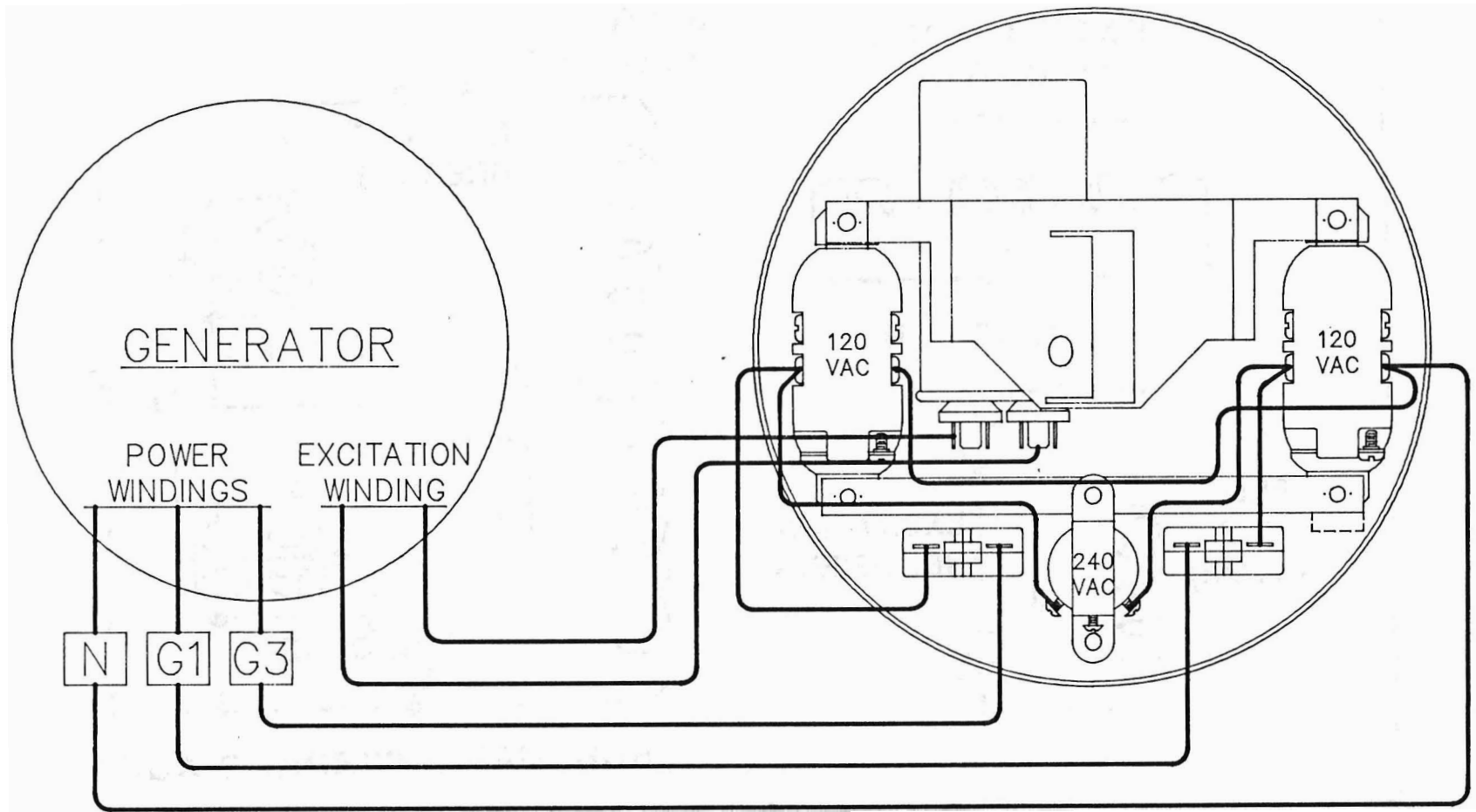
DP4500/N, DP4500E/N, DP6000E/M 4500 4500E 6000E

REF #	DESCRIPTION	PART #	QTY	QTY	QTY
-------	-------------	--------	-----	-----	-----

FOLLOWING INFORMATION IS FOR REFERENCE ONLY

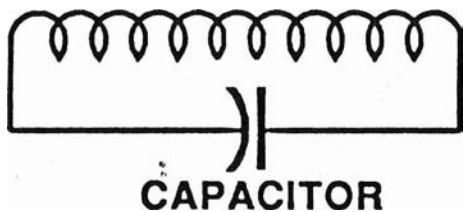
535	FAN	15136-001	1	1	1
566	RECTIFIER - STD POLARITY	15047-001	1	1	1
567	RECTIFIER - REV POLARITY	15047-002	1	1	1

UNIT MODEL SERIES	DP4500 (E)	DP6000E
AC RESIDUAL VOLTS	7.0 VAC L-L	7.0 VAC L-L
L-N WINDING RESIST.	0.50 OHMS	0.22 OHMS
'Q' WINDING RESIST.	1.58 OHMS	0.56 OHMS
FIELD RESISTANCE	0.76 OHMS	1.00 OHMS
WINDING SPEC (SS#)	1529	1532
ARM CONNECTION (AC#)	367	367



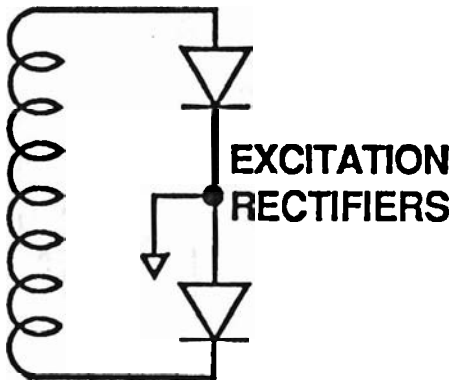
15049

**EXCITATION
WINDING
(STATOR)**



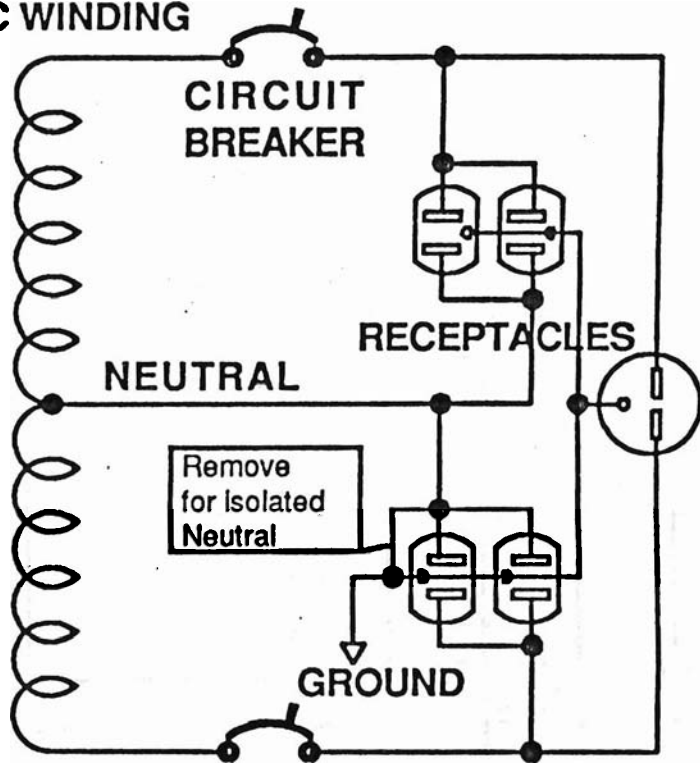
CAPACITOR

**FIELD
COILS
(ROTOR)**

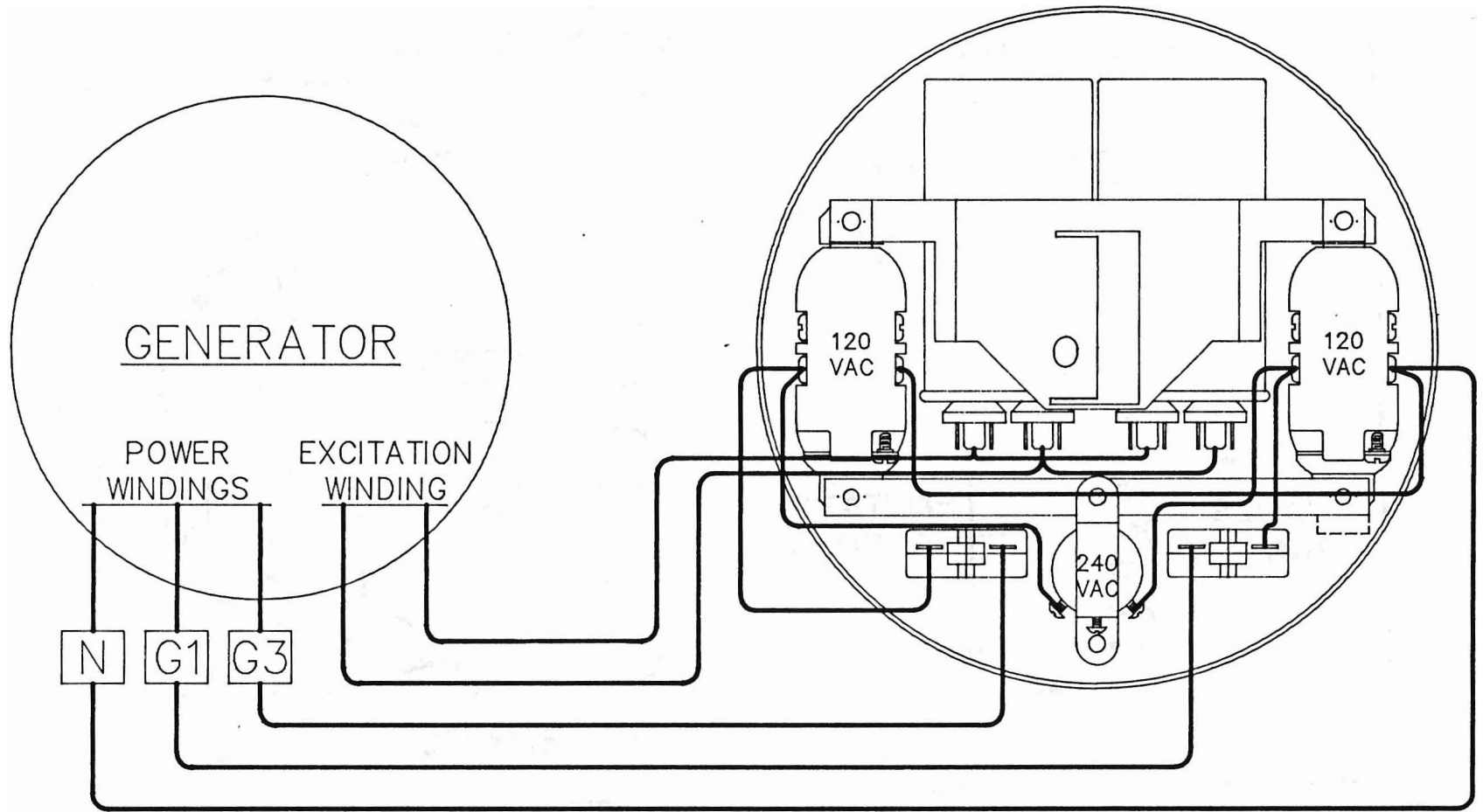


**EXCITATION
RECTIFIERS**

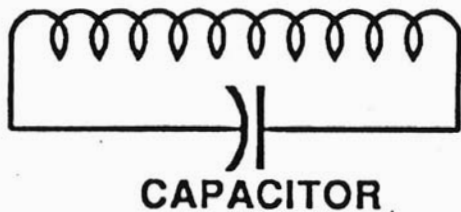
**MAIN
STATOR
AC WINDING**



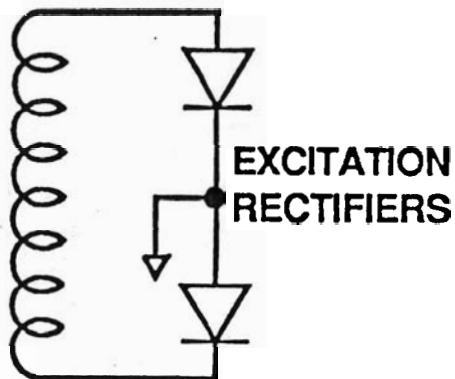
SCHEMATIC WIRING DIAGRAM



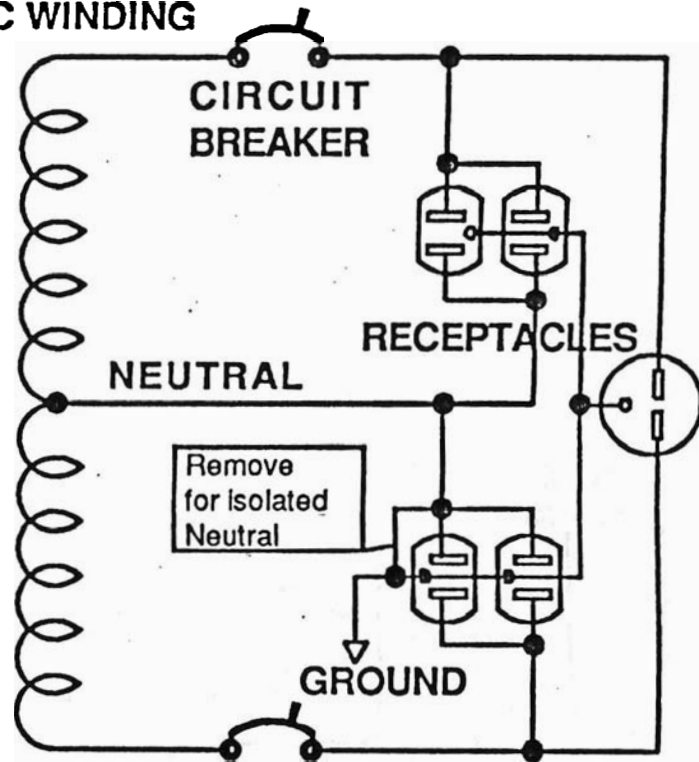
**EXCITATION
WINDING
(STATOR)**



**FIELD
COILS
(ROTOR)**



**MAIN
STATOR
AC WINDING**



SCHEMATIC WIRING DIAGRAM