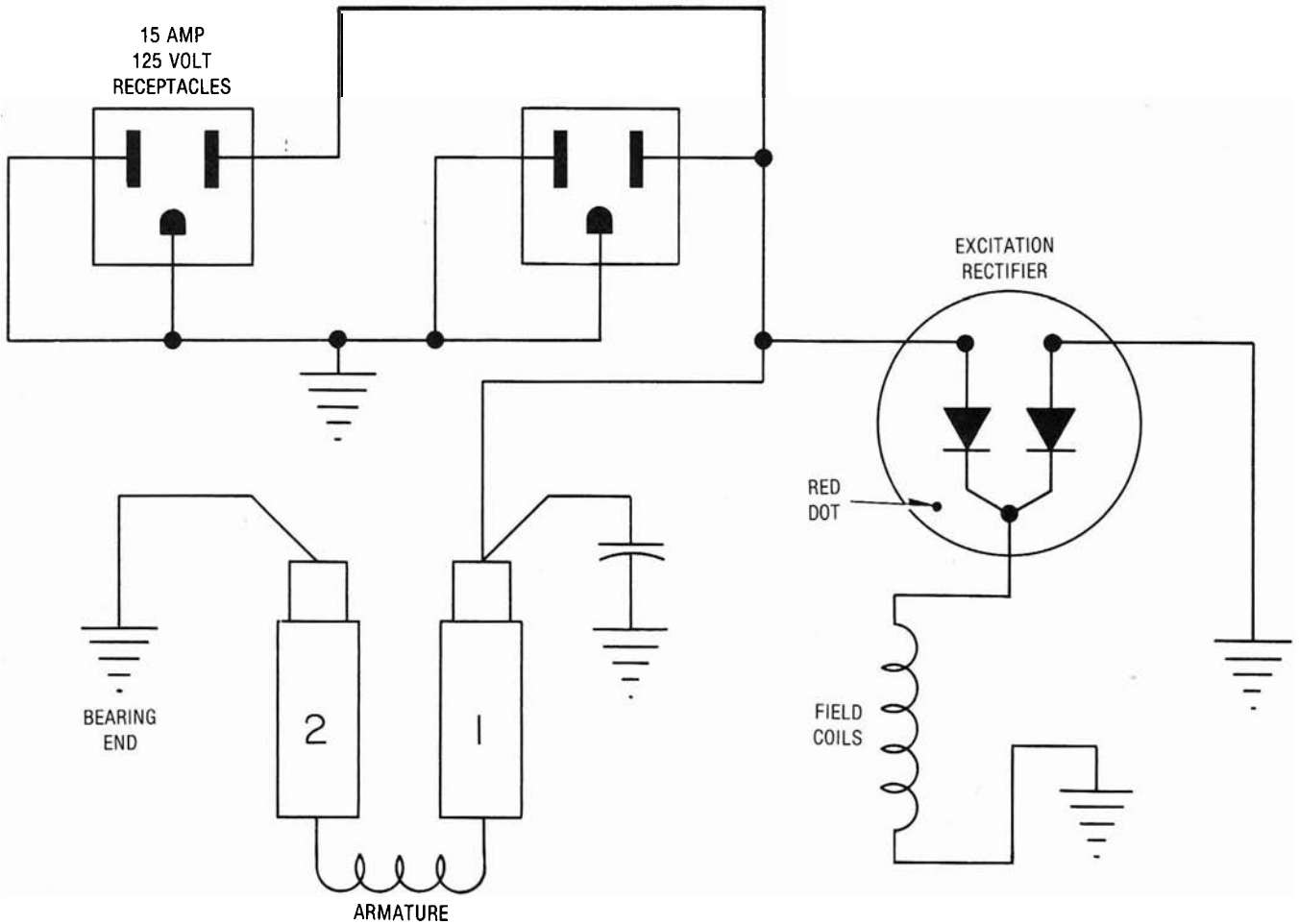


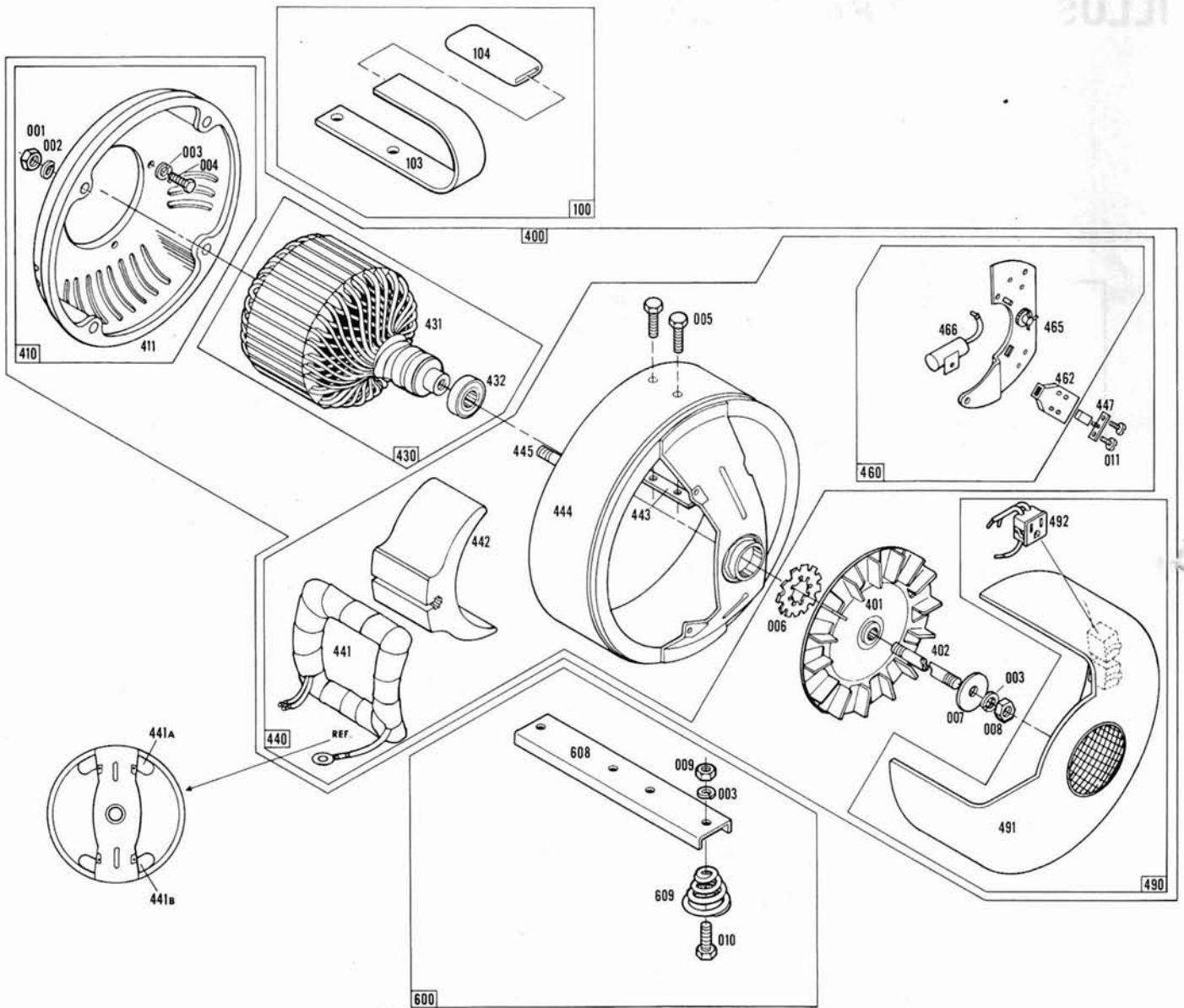
ILLUSTRATED PARTS LIST



W/D-IP205

SCHEMATIC DIAGRAM

This IPL contains wiring, illustration, parts list, ordering information and technical data to perform routine maintenance on this generator. Consult factory with model no., serial no. and test data for further assistance.



I-55310

REF. NO.	DESCRIPTION	QTY.	PART NO.	REF. NO.	DESCRIPTION	QTY.	PART NO.
000	Hardware						
001	Hex Nut 1/4-20	3	638	440	Field Shell & Coil Ass'y.	1	55312
002	Lockwasher 1/4 Split	3	479	441A	Field Coil	1	53615
003	Lockwasher 5/16 Split	11	480	441B	Field Coil	1	53615-1
004	Cap Screw	4	55576	442	Pole Shoe	2	53612
005	Cap Screw 3/8-16 x 1 1/2	4	1743	443	Pole Shoe Retainer	2	53613
006	Lockwasher 5/16 Int. Tooth	1	55224	444	Field Shell & Bracket	1	53614
007	Flat Washer	1	23558	445	Stud	3	23817
008	Hex Nut 5/16-24	1	23605	447	Brush Assembly AC	4	23607
009	Hex Nut 5/16-18	6	458				
010	Cap Screw 5/16-18 x 1 3/4	4	9416	460	Brush Rack Assembly	1	55092
011	Machine Screw 8-32 x 5/16	8	40746	462	Brush Holder	4	23500
				465	Mounting Plate & Rect.	1	55495
100	Type Drive/Engine B & S 130232 0301-01	1	53655	466	Capacitor	1	54977
103	Handle	1	53583	490	End Cover Assembly	1	55281
104	Handle Grip	1	57503	491	End Cover	1	55304
				492	Receptacle	2	53636
400	Generator	1	55311				
401	Fan Assembly	1	54967	600	Base Assembly		
402	Thru Bolt	1	23197-3	608	Base Channel	2	55094
				609	Shock Spring	4	55096
411	End Bracket	1	43887				
430	Armature Assembly	1	55273				
431	Armature	1	55273-1				
432	Bearing	1	55223				

PARTS ORDERING INFORMATION REQUIRED

To fill your order for service parts, please advise the complete Generator model number and serial number, part number(s), and part description. If in doubt, consult the factory prior to placing the order. Send all parts orders to WINCO, Division of Dyna Technology, Inc., 225 South Cordova Ave., Le Center, MN 56057.



TECHNICAL DATA

GENERATOR SPECIFICATIONS:

Watts—2500; Volts-115; Amps.-21.7; PH-1; HZ-60; RPM-3600

Nominal Voltage: 115 Volts A.C.	No Load: 132 Volts A.C.	Full Load: 112 Volts A.C.
---	-----------------------------------	-------------------------------------

Resistance:

Field Coils— $12.65 \pm .65$ ohms
Armature—Less than 1 ohm ring to ring

Excitation Voltage: Approximately 55 Volts D.C.

Separately Excited:

12 VDC to the Positive Field Lead (Disconnected from rectifier)
50 to 70 VAC Output

BASIC TEST PROCEDURE:

Refer to illustration for component location by Reference Number.

Example: No output—Check field coils for opens or shorts.

Reference Number 441A and 441B.

No Output:

- Check for loose or open connections.
- Check rectifier, located on Reference Number 465.
- Check field coils for opens or shorts Reference Number 441A and 441B.
- Check brushes for wear, proper seating, and not stuck in holder, Reference Number 447.
- Check armature for opens or shorts, Reference Number 431.

Low Voltage—No Load:

- Check generator speed/frequency. (3600 RPM nominal)
- Check for loose or open connections.
- Check winding resistance, Reference Numbers 441A-441B, and 431.

Low Voltage-Full Load:

- Check Generator speed/frequency. (3600 RPM nominal)
- Check generator load.
- Check for loose or open connections.
- Check winding resistance, Reference Numbers 441A-441B, and 431.

WINGO[®]

Division of
DYNA TECHNOLOGY, INC.
225 South Cordova
Le Center, MN 56057
Phone (612) 357-6821
Telex 290753