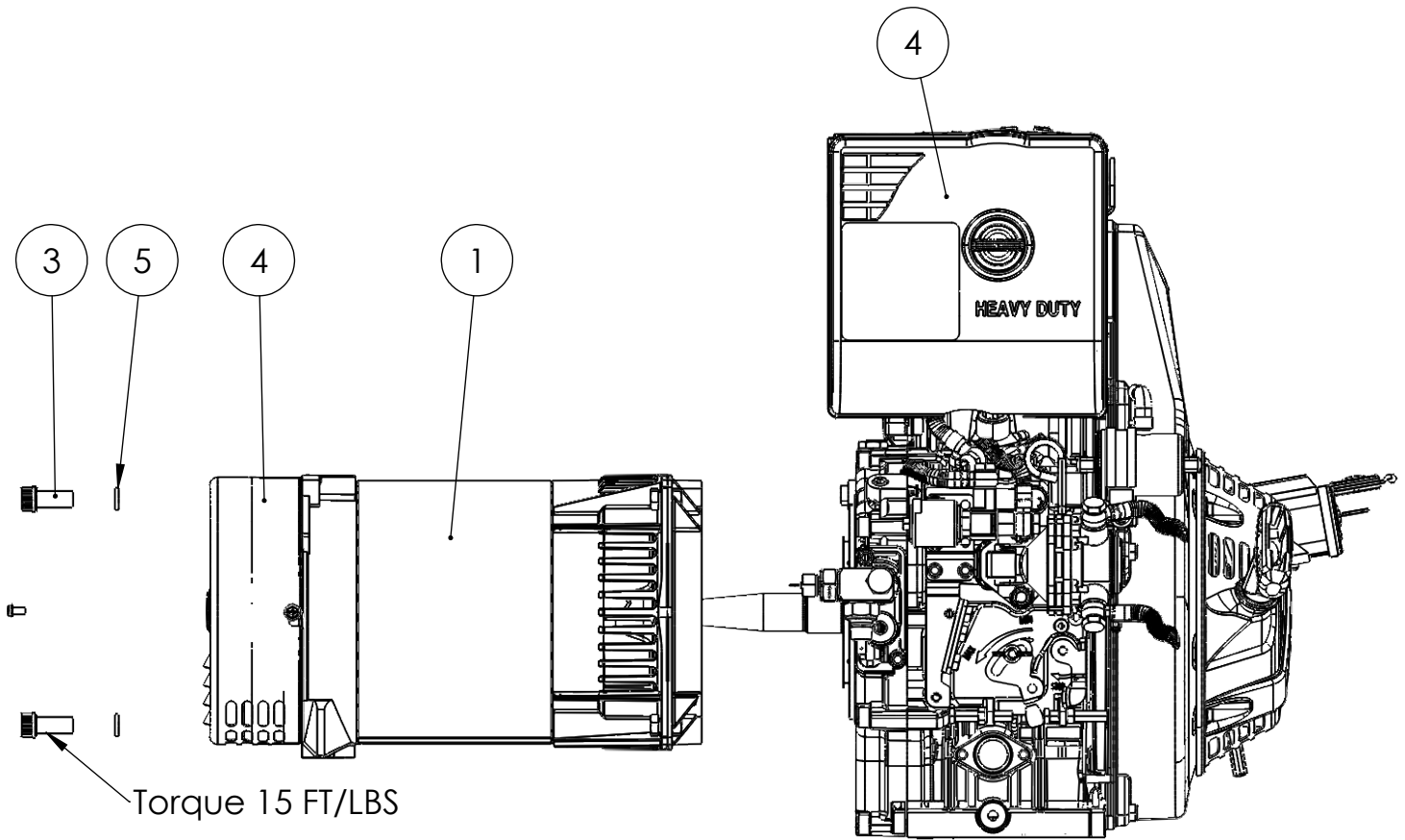


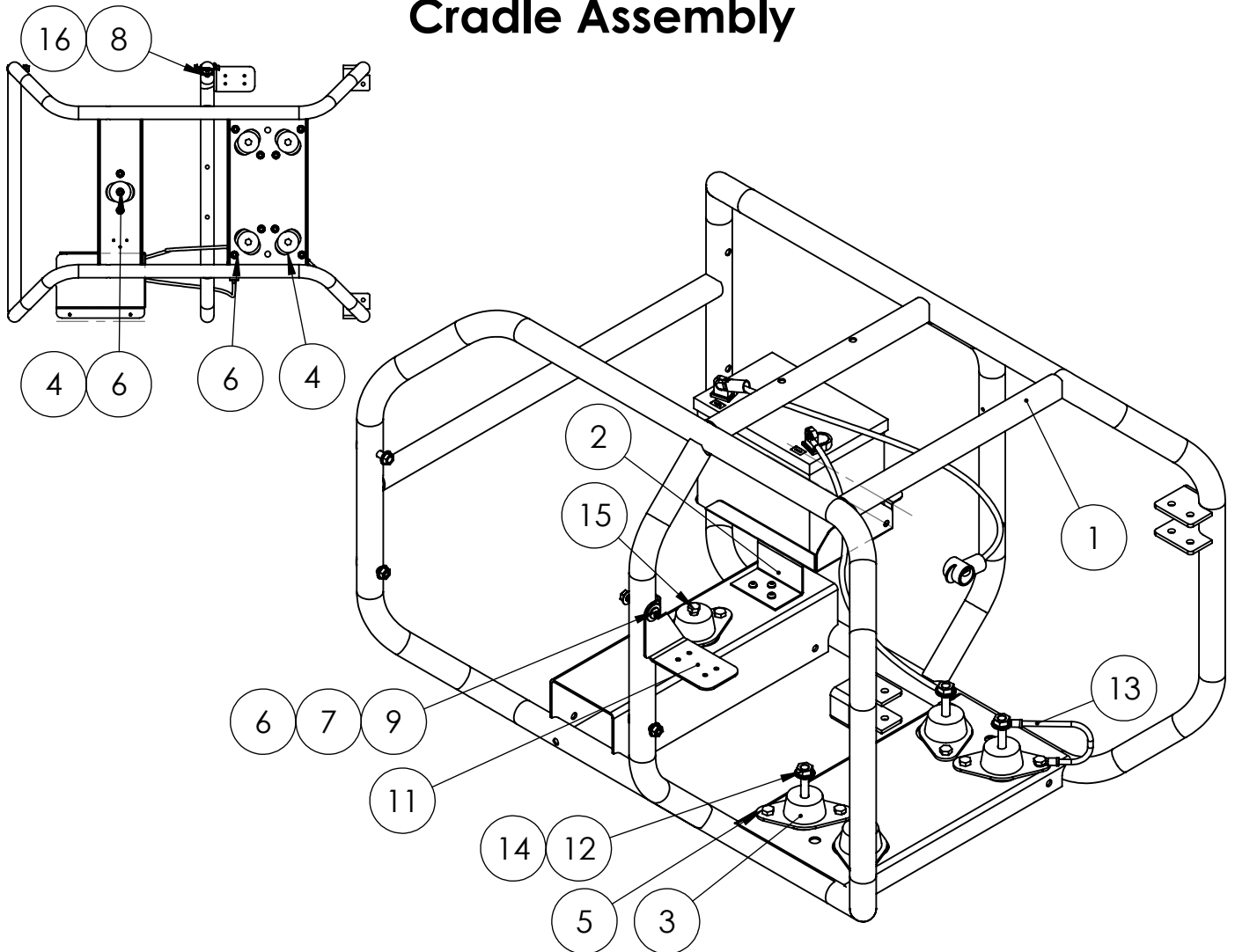
WINCO Service
Phone: 507-357-6831
Email: service@wincogen.com
www.wincogen.com

Engine and Generator Assembly



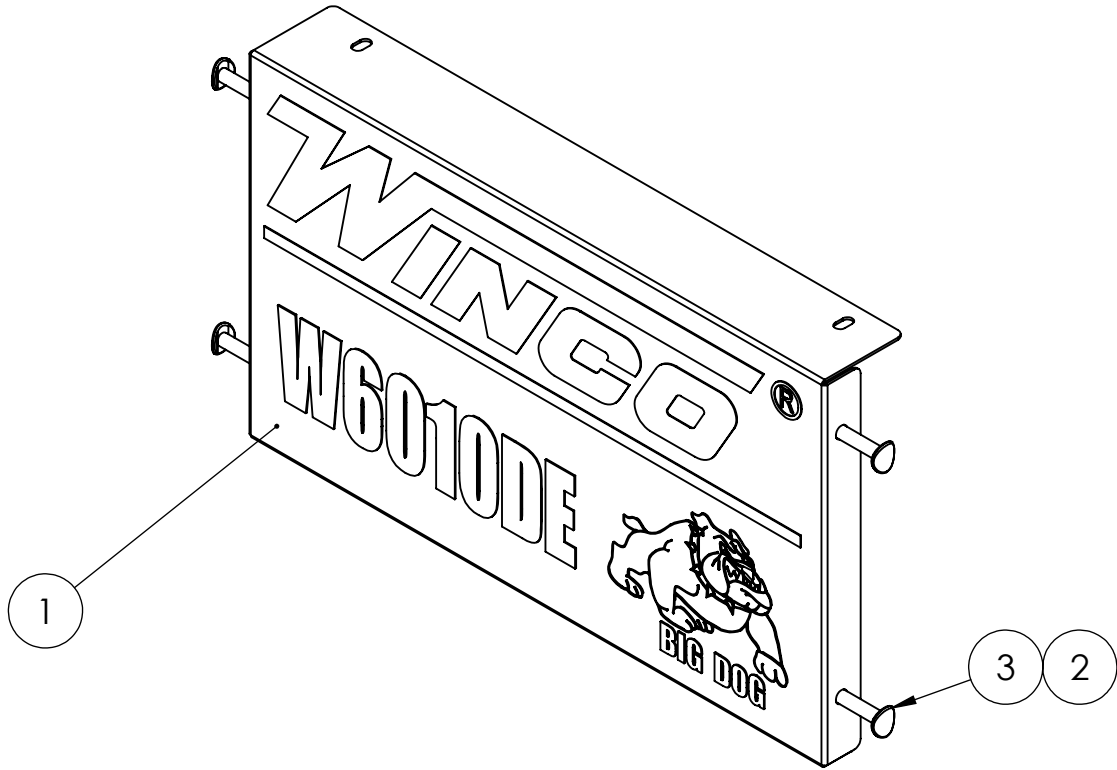
ITEM NO.	PartNo	DESCRIPTION	QTY.
1	16346-006	MECC ALTE S16W-130	1
4	300116-5	KOHLER KD440	1
3	93704-000	SOC.HCS 3/8-16X1	4
4	16346-021	S16W-130/A GEN END COVER	1
5	481-000	LOCK WASHER .375 SPLIT	4
6	82539-001	SELF TAP.SC.6X3/8	1

Cradle Assembly



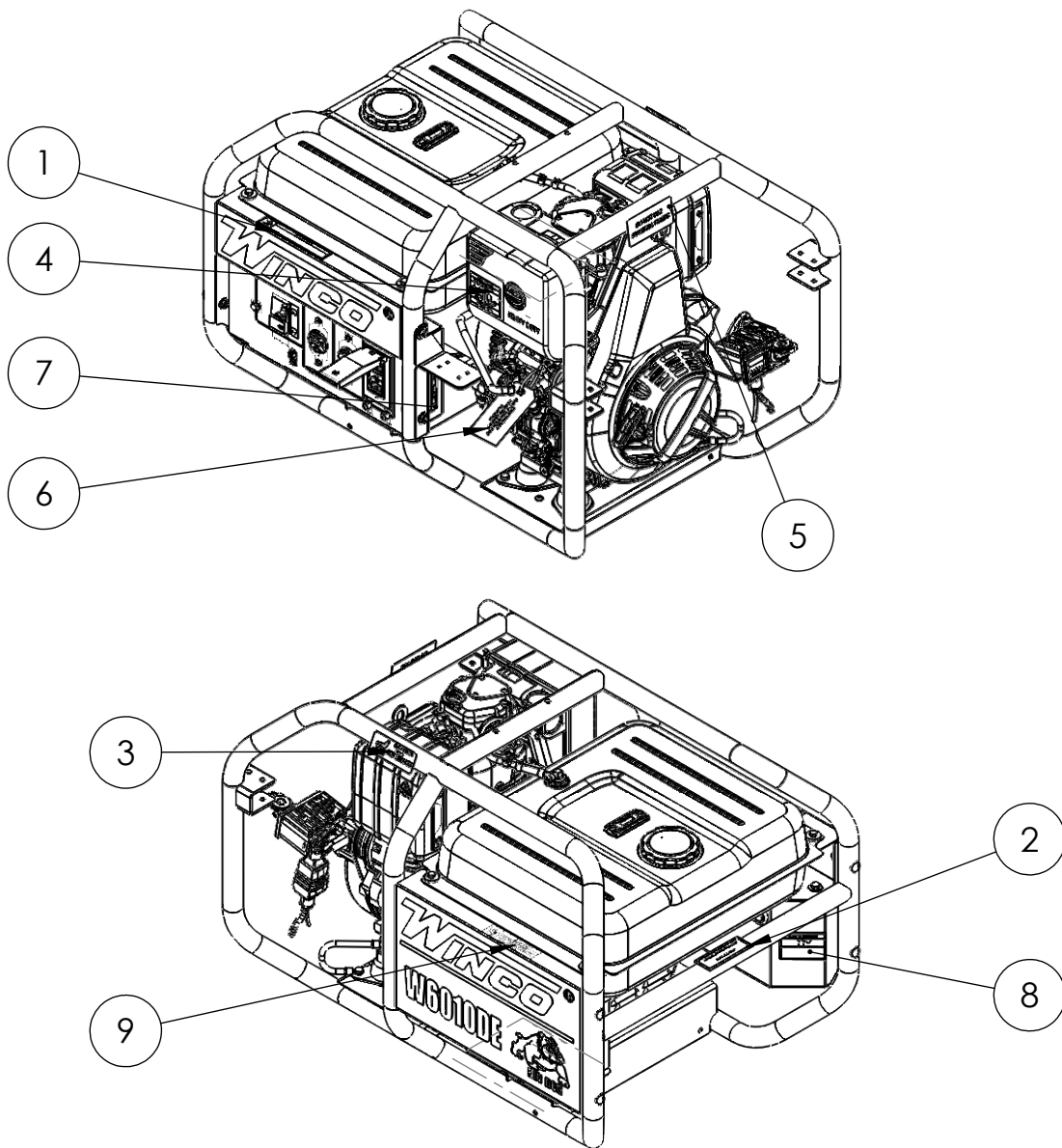
ITEM NO.	PartNo	DESCRIPTION	QTY.
1	63073-054	WELDED FRAME	1
2	16175-031	BATTERY ASSEMBLY	1
3	98807-002	SHOCK MOUNT	5
4	98806-000	WASHER .406 X 2	5
5	467-000	HHCS 5/16-18X.75	10
6	16249-000	.3125-18 FLANGE	15
7	526-000	5/16 FLAT WASHER	1
8	21698-001	TORX PAN HEAD SCREW #10	1
9	64858-005	BHSCS 5/16-18 X 2.00	1
10	23590-002	CURVED HEAD BOLT 5/16-18 X 1 3/4	3
11	15799-006	KEY START BRACKET	1
12	16250-000	.375-16 FLANGE NUT	4
13	9769-155	LEADWIRE ASSEMBLY (GROUND)	1
14	91658-008	HHCS 3/8-16X2-3/4 GR5	4
15	471-000	5/16-18 X 2.25	1
16	96286-002	FLAT WASHER NYLON	1

Left Side Panel



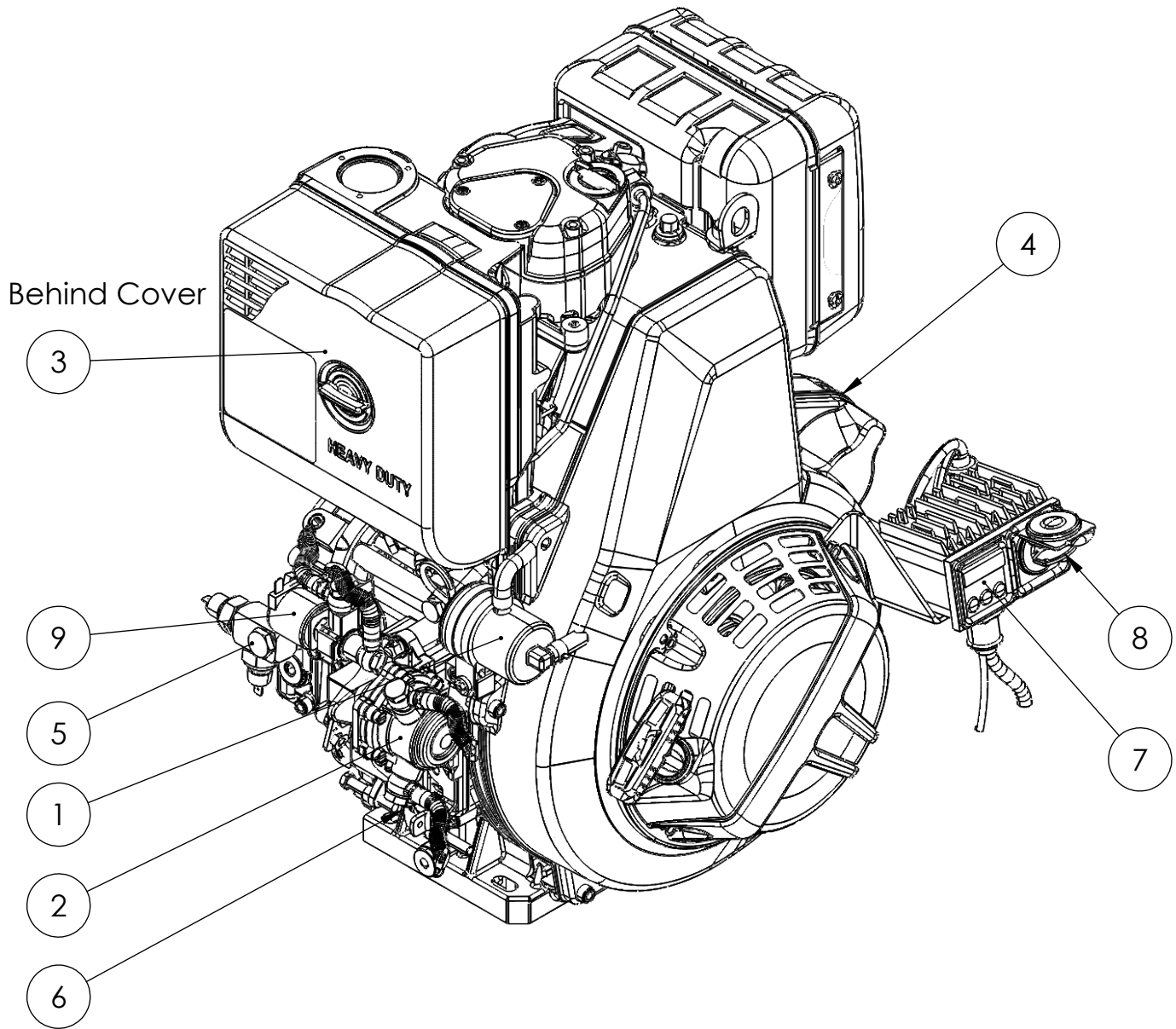
ITEM NO.	PartNo	DESCRIPTION	QTY.
1	300216-260	LEFT SIDE PANEL	1
2	16249-000	.3125-18 FLANGE	4
3	23590-002	CURVED HEAD BOLT 5/16-18 X 1 3/4	4

Decal Kit



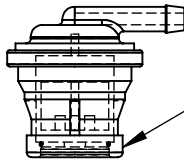
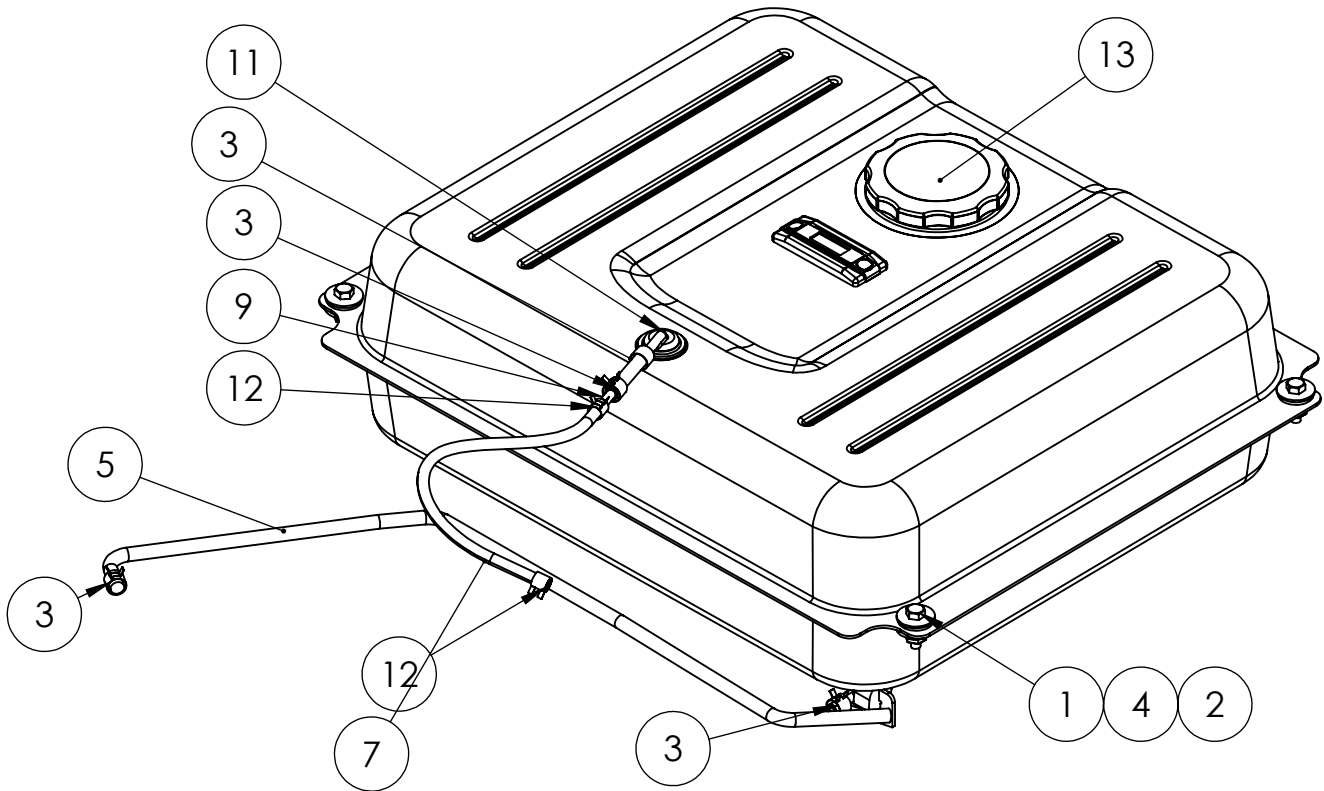
ITEM NO.	PartNo	DESCRIPTION	QTY.
1	15209-003	UL-DECAL ELECTRICAL SHOCK CAN KILL	1
2	97381-001	DECAL-DIESEL FUEL ONLY	1
3	63941-001	DECAL -HOT SURFACES	1
4	64918-000	DECAL-DANGER (CO) USE OUTSIDE	1
5	97382-000	DECAL-DO NOT USE STARTING FLUIDS	1
6	60710-018	OIL WARNING TAG	1
7	63966-004	NAMEPLATE, WINCO PORTABLE	1
8	15209-002	DECAL-DANGER CARBON MONOXIDE	1
9	15209-011	DECAL (DANGER DIESEL FUEL)	1

Engine Parts



ITEM	PART	DESCRIPTION	QTY
1	3-100	Fuel Filter	1
2	3-101	Fuel Pump	1
3	3-102	Air Filter Element	1
4	3-103	Starter Motor	1
5	3-104	Oil Pressure Switch	1
6	3-105	Oil Filter (Internal to Block)	1
7	3-106	Control Panel (With Key)	1
8	3-107	Start Key	1
9	3-108	Fuel Solenoid	1
Contact service for other engine parts as needed.			

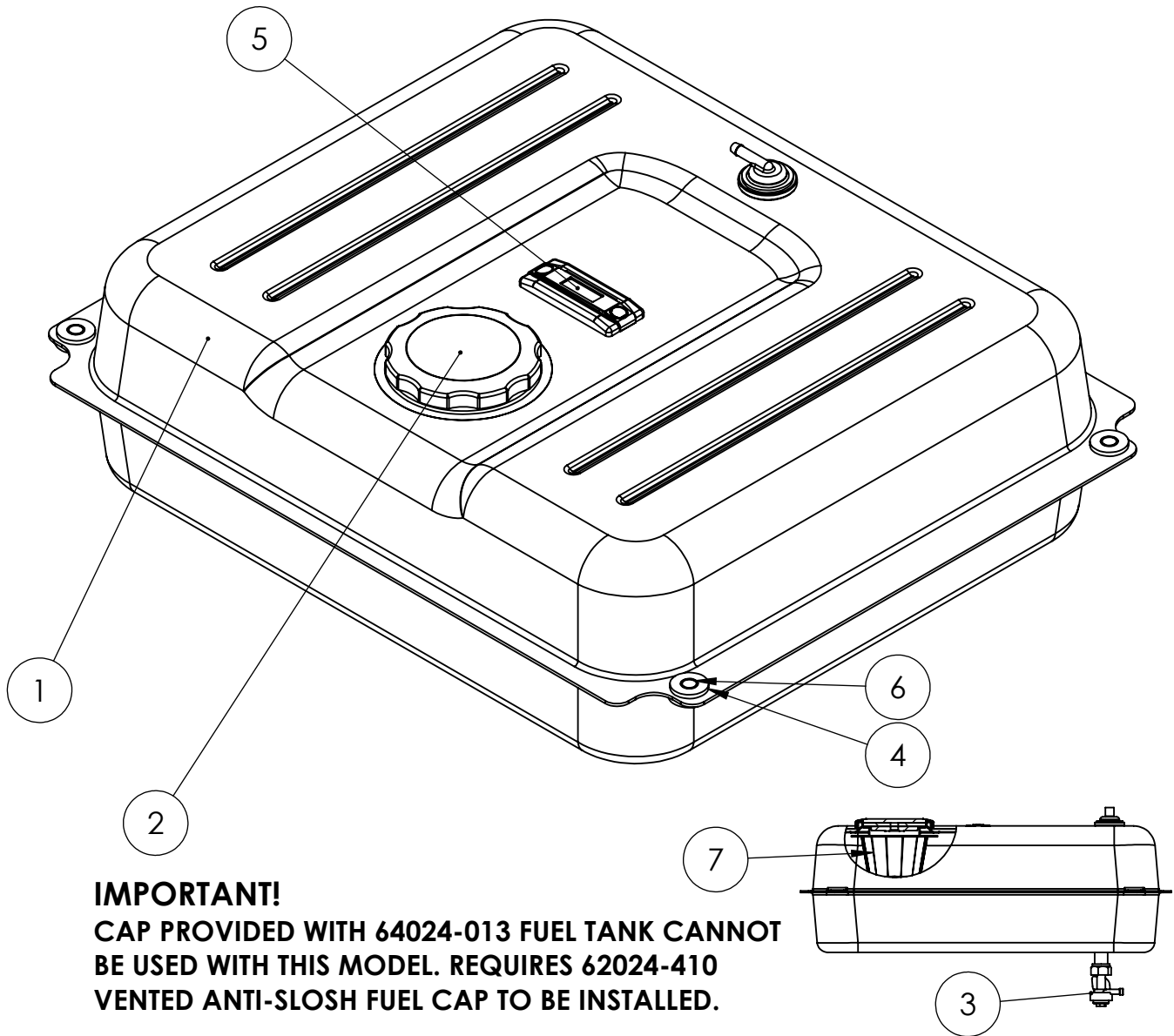
Fuel System



NOTE:
UNINSTALL THE METAL BOTTOM CAP AND
REMOVE THE VALVE AND SPRING. REINSTALL
BOTTOM CAP BEFORE INSTALLING INTO FUEL
TANK.

ITEM NO.	PartNo	DESCRIPTION	QTY.
1	439-000	.25-20 X 1 HHB	4
2	16248-000	.25-20 FLANGE NUT	4
3	62999-001	HOSE CLAMP .5 OD RED	4
4	267-002	FLAT WSH 9/32X1X.063	4
5	40078-018	HOSE 0.25 ID 26 IN	1
6	62024-410	DRILL VENTED FUEL CAP	1
7	40077-013	3/16 ID RUBBER HOSE 18 IN	1
8	40078-033	HOSE .25ID RUBBER 2IN	1
9	98590-002	HOSE REDUCER 1/4X3/16 (SCP)	1
10	64024-013	FUEL TANK 7 GAL. STEEL GASOLINE	1
11	80903-002	SLOSH VALVE STANT HIGH FLOW W/ GROMMET 29.5MM HOLE	1
12	62999-005	HOSE CLAMP .41 OD GREEN	2
13	62024-410	FUEL CAP, VENTED, ANTI-SLOSH	1

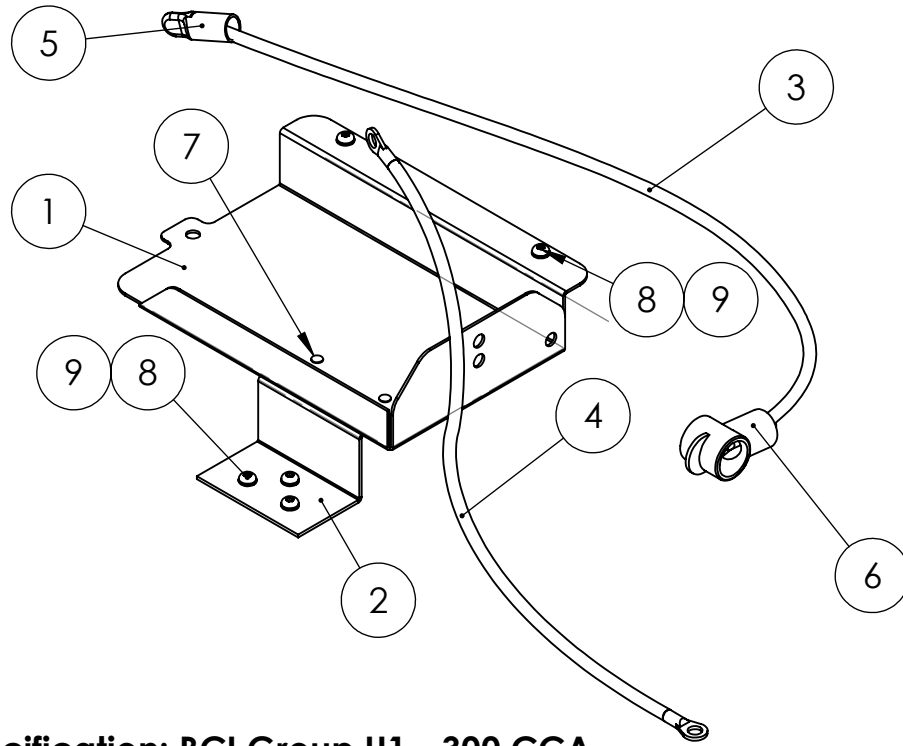
Fuel Tank



IMPORTANT!
CAP PROVIDED WITH 64024-013 FUEL TANK CANNOT
BE USED WITH THIS MODEL. REQUIRES 62024-410
VENTED ANTI-SLOSH FUEL CAP TO BE INSTALLED.

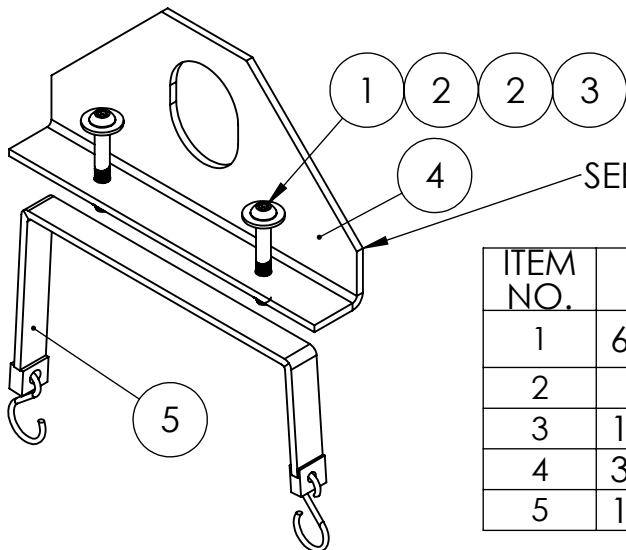
ITEM NO.	PartNo	DESCRIPTION	QTY.
1	64024-013	FUEL TANK 7 GAL STEEL GASOLINE	1
2	64024-401	FUEL CAP, SEALED, AUDIBLE, TETHERED	1
3	64024-404	168B FUEL CONTROL VALVE	1
4	64024-406	RUBBER BUSHING	4
5	64024-402	FUEL LEVEL GAUGE - 112 MM	1
6	64024-405	ANTI-CRUSH INSERT	4
7	64024-403	FUEL FILL FILTER	1
ALL ITEMS LISTED ABOVE IN THIS TABLE ARE INCLUDED WITH A 64024-013 FUEL TANK PURCHASE.			
9	62273-262	TOUCH UP PAINT, BLACK 3048	

Battery Kit and Lifting Eye Kit



Battery Specification: BCI Group U1 - 300 CCA

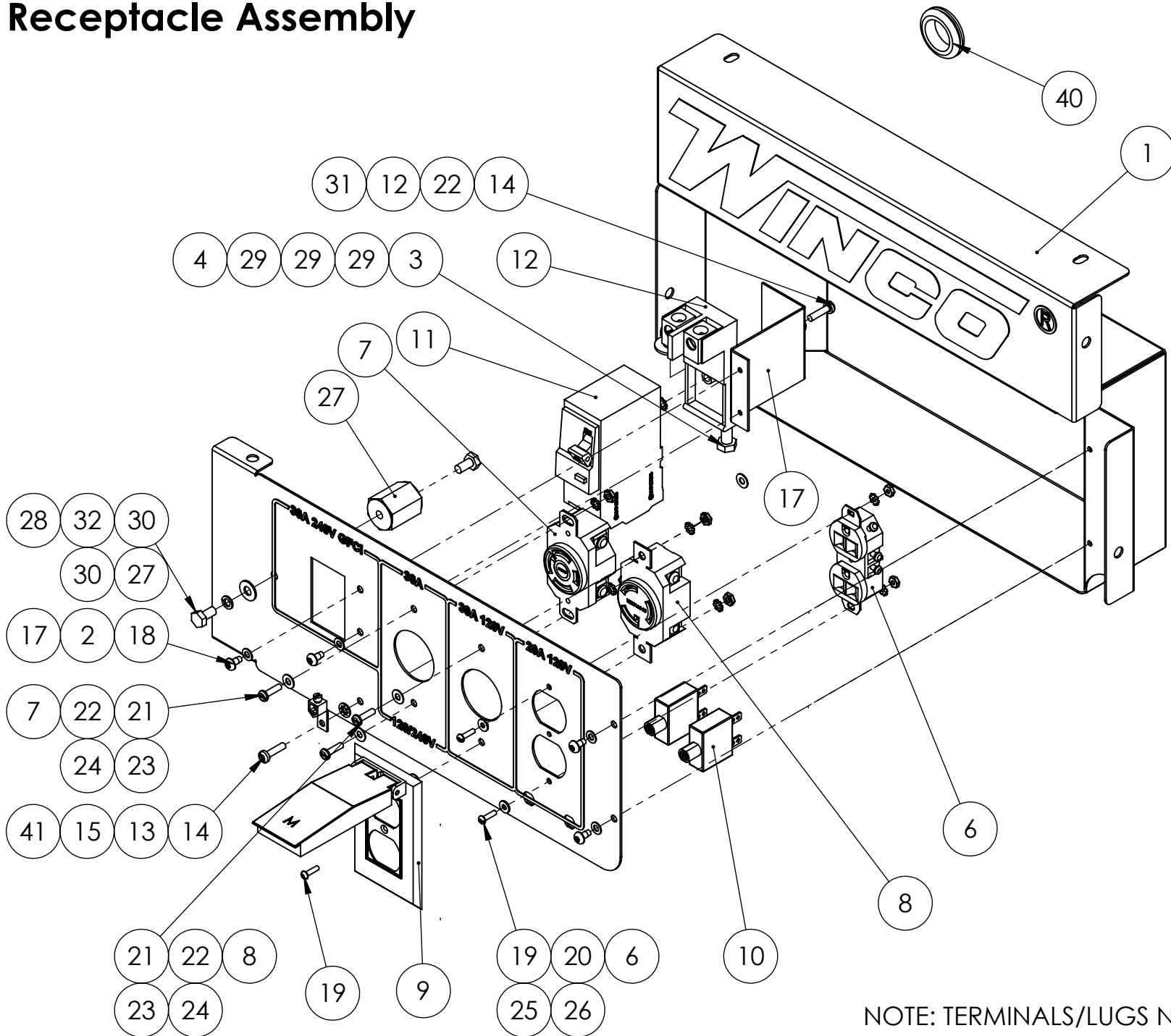
ITEM NO.	PartNo	DESCRIPTION	QTY.
1	15676-017	BATTERY TRAY	1
2	16336-009	BATTERY SUPPORT	1
3	15767-004	POS BATTERY CABLE	1
4	15767-003	NEG BATTERY CABLE	1
5	16234-000	CAP PLUG	1
6	16145-000	INSULATOR, TERMINAL	1
7	95568-000	THREAD STUD 10-24 X .625	2
8	21698-001	TORX PAN HEAD SCREW #10	5
9	96286-002	FLAT WASHER NYLON	5



SEE MANUAL FOR INSTALATION INSTRUCTIONS

ITEM NO.	PartNo	DESCRIPTION	QTY.
1	64858-006	BHSCS 5/16-18 X 2.25 BUTTON HEAD SOCKET CAP SCREW	2
2	526-000	WASHER ID .375 OD .890	4
3	16249-000	.3125-18 FLANGE	2
4	300148-24	LIFTING EYE	1
5	16329-000	BATTERY TIE DOWN STRAP	1

Receptacle Assembly

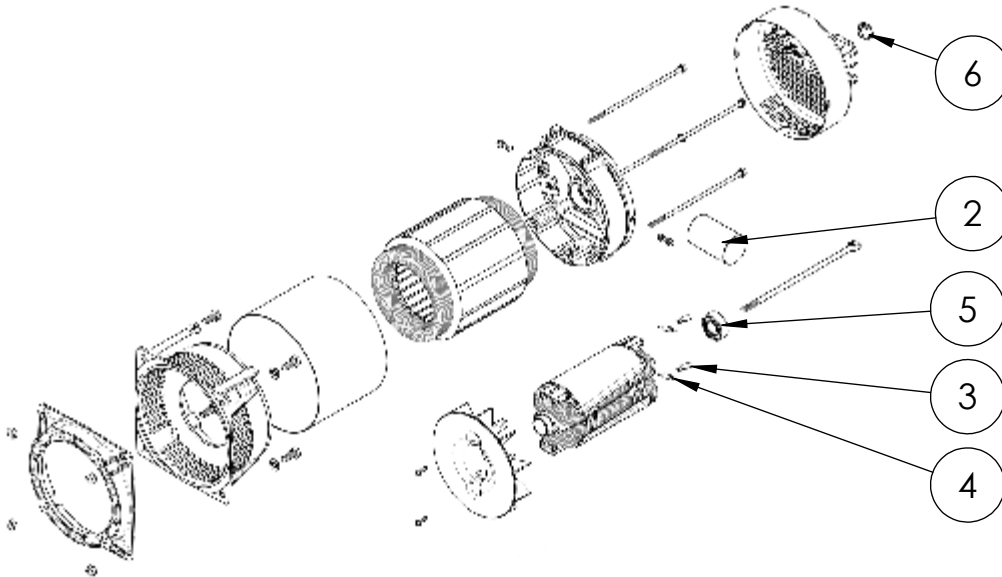


NOTE: TERMINALS/LUGS NOT SHOWN

Receptacle Assembly

ITEM NO.	PartNo	DESCRIPTION	QTY.
1	15221-041	RECEPTACLE BACK RIGHT SIDE PANEL	1
2	96286-002	FLAT WASHER NYLON	4
3	465-000	.3125-18X.875 HHB	2
4	47136-000	HEX NUT .3125-18 NYLOK	2
5	15458-046	RECEPTACLE PANEL	1
6	50766-000	NEMA 5-20R DUPLEX RECEPTACLE	1
7	97360-000	RECEPTACLE, NEMA L14-30R 120 240V	1
8	56359-000	L5-30R	1
9	15620-008	STANDARD DUPLEX COVER	1
10	91286-001	CIRCUIT BREAKER, 20A, 1 POLE	2
11	16488-000	CIR.BRK.30A-2PL-240V-GFCI	1
12	16489-002	2 POLE CIR.BRK. TERM. BLOCK	1
13	48042-001	TERMINAL, GROUND LUG, 6-14AWG	1
14	420-000	RHMS 10-24 X .75	2
15	21975-000	#10 INT. TOOTH LOCKWASHER	1
16	456-000	10-24 HEX NUT	1
17	16319-000	BRACKET, C.B. MOUNTING	1
18	21698-001	TORX PAN HEAD SCREW #10	4
19	7792-001	BZ RHMS 6-32X.5	3
20	425-000	#6 FLATWASHER	2
21	24198-001	BHMS #8-32 x .625 BLACK	4
22	511-000	#8 FLAT WASHER	6
23	21976-000	#8 LOCKWASHER EXTERNAL TOOTH	4
24	5113-000	NUT HEX # 8	4
25	22989-000	#6 LOCKWASHER	2
26	394-000	NUT HEX #6-32	2
27	94378-000	STAND-OFF INSULATOR	1
28	512-000	.25 WASHER	1
29	526-000	WASHER ID .375 OD .890	6
30	463-000	HEX BOLT .25-20X.50	2
31	22423-000	LOCKWASHER #10	1
32	479-000	LOCK WASHER, .25" SPLIT	1
33	48602-003	TERMINAL FEMALE 16-14 AWG .250 TAB	4
34	4156-000	TERMINAL RING 12-10 #10 STUD	6
35	51319-000	TERMINAL SPLICE CAP COPPER	2
36	51320-000	TERMINAL, NYLON INSULATOR CAP	2
37	20531-000	TERMINAL RING 12-10AWG 5/16 STUD	5
38	22370-007	TERMINAL SPADE 16/14AWG #10STUD	2
39	21850-011	TERMINAL HOOK 12-10 AWG #10STUD	1
40	62486-000	GROMMET 1 X 1.375	1
41	5315-000	NUT HEX 10-24 NYLON	1

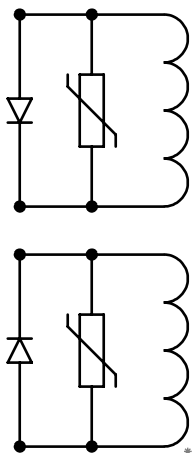
Generator End Parts List



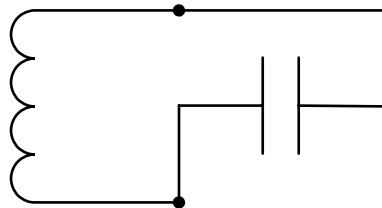
ITEM	PART	DESCRIPTION	QTY
1	16346-021	COMPLETE S16W-130 GEN	1
2	16346-612	CAPACITOR, 25MFD 425 VAC	1
3	16346-106	VARISTOR SR561K10DS400	2
4	16346-105	DIODE, 10A 1200V	2
5	55223-000	REAR BEARING 6203-2Z C3	1
6	9-100	PLASTIC HOLE PLUG	1
7	16346-010	LOAD PLUG	1
	16346-011	LOAD PLUG PINS	4

S16W-130 Expected Resistance (Ω)		
Rotor	Stator	Excitation
3.95	0.360	2.446

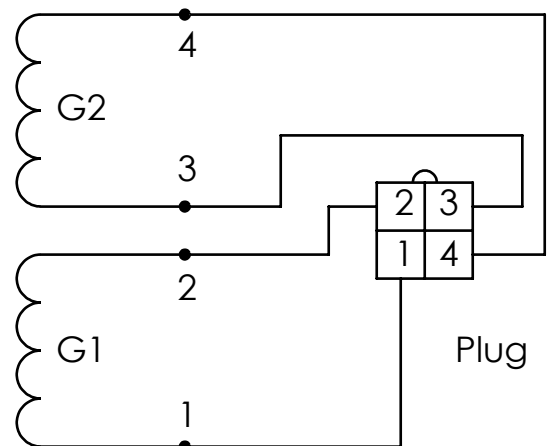
Field Winding



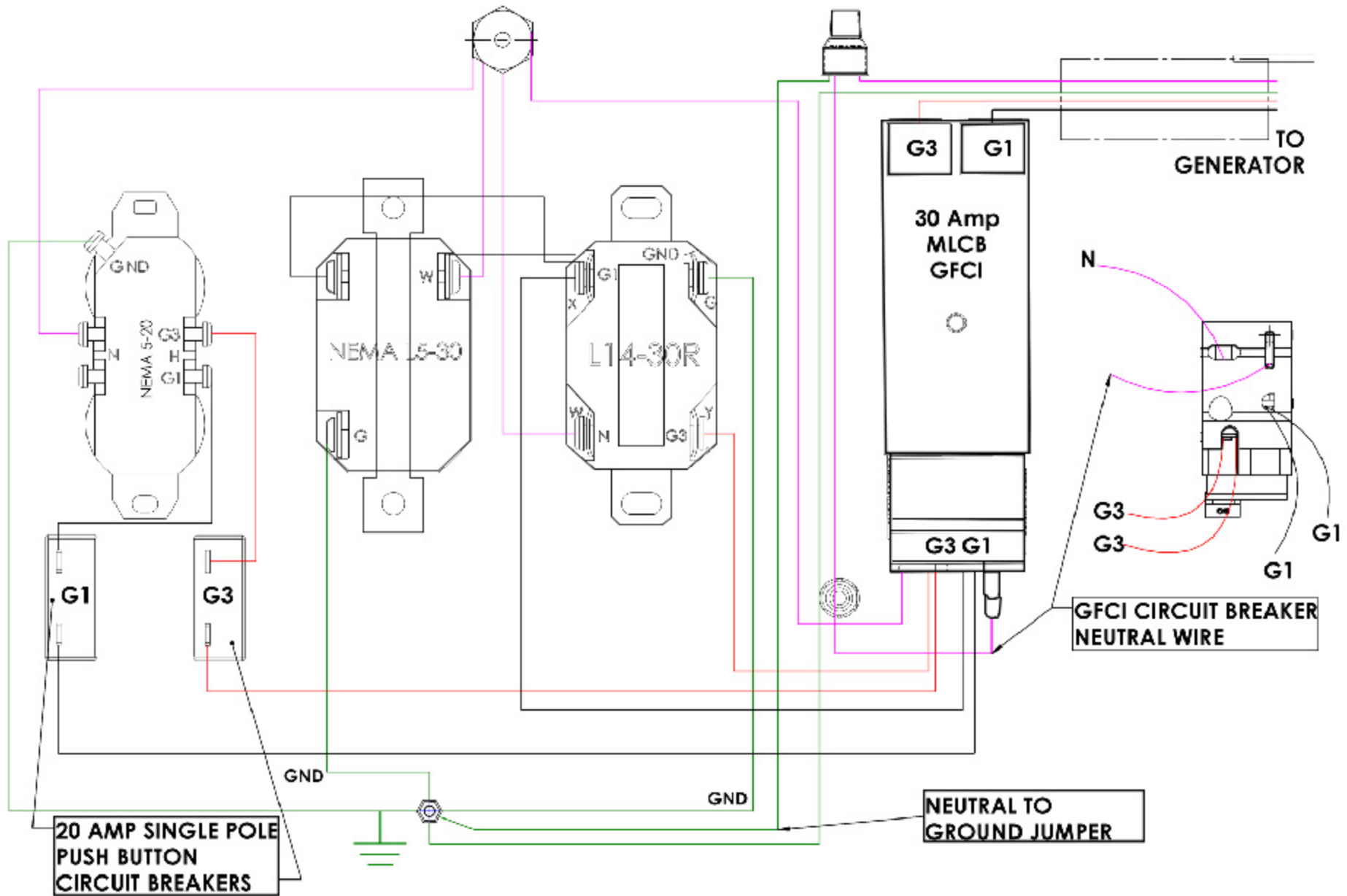
Excitation Winding



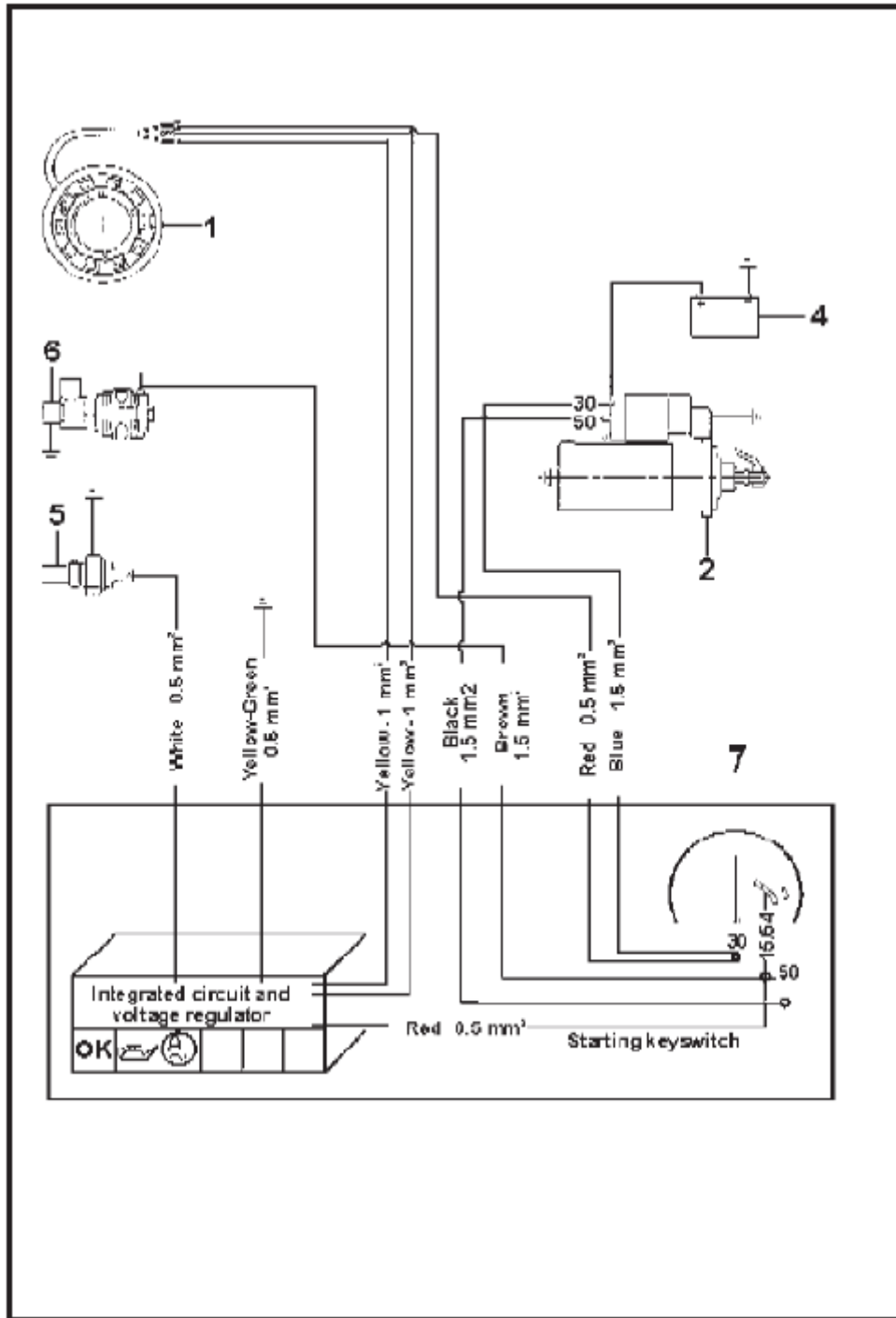
Power Winding



Receptacle Wiring Diagram



Engine Wiring Diagram



1	Alternator
2	Starter Motor
4	Battery
5	Pressure Switch
6	Solenoid Valve
7	Ignition Switch