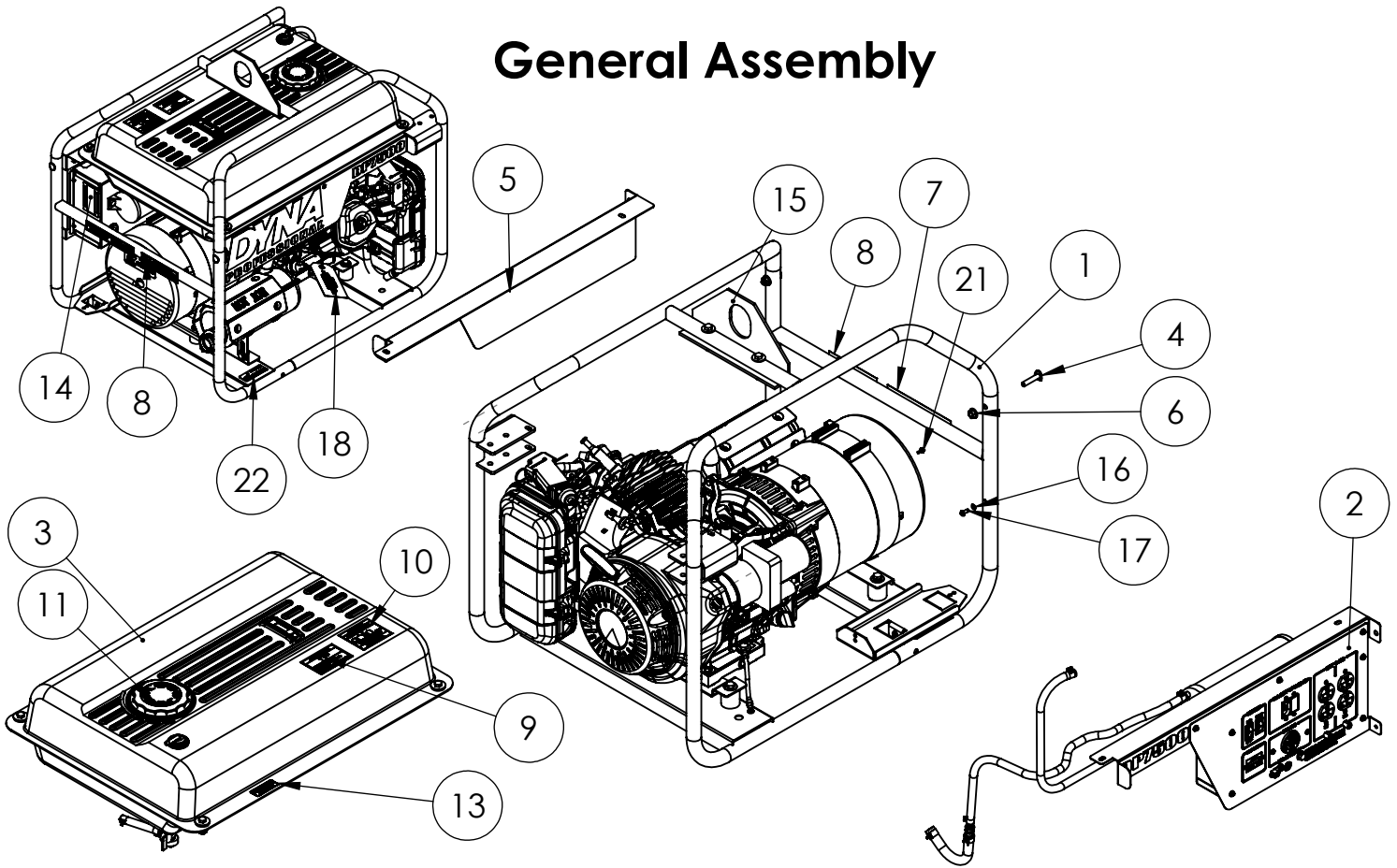


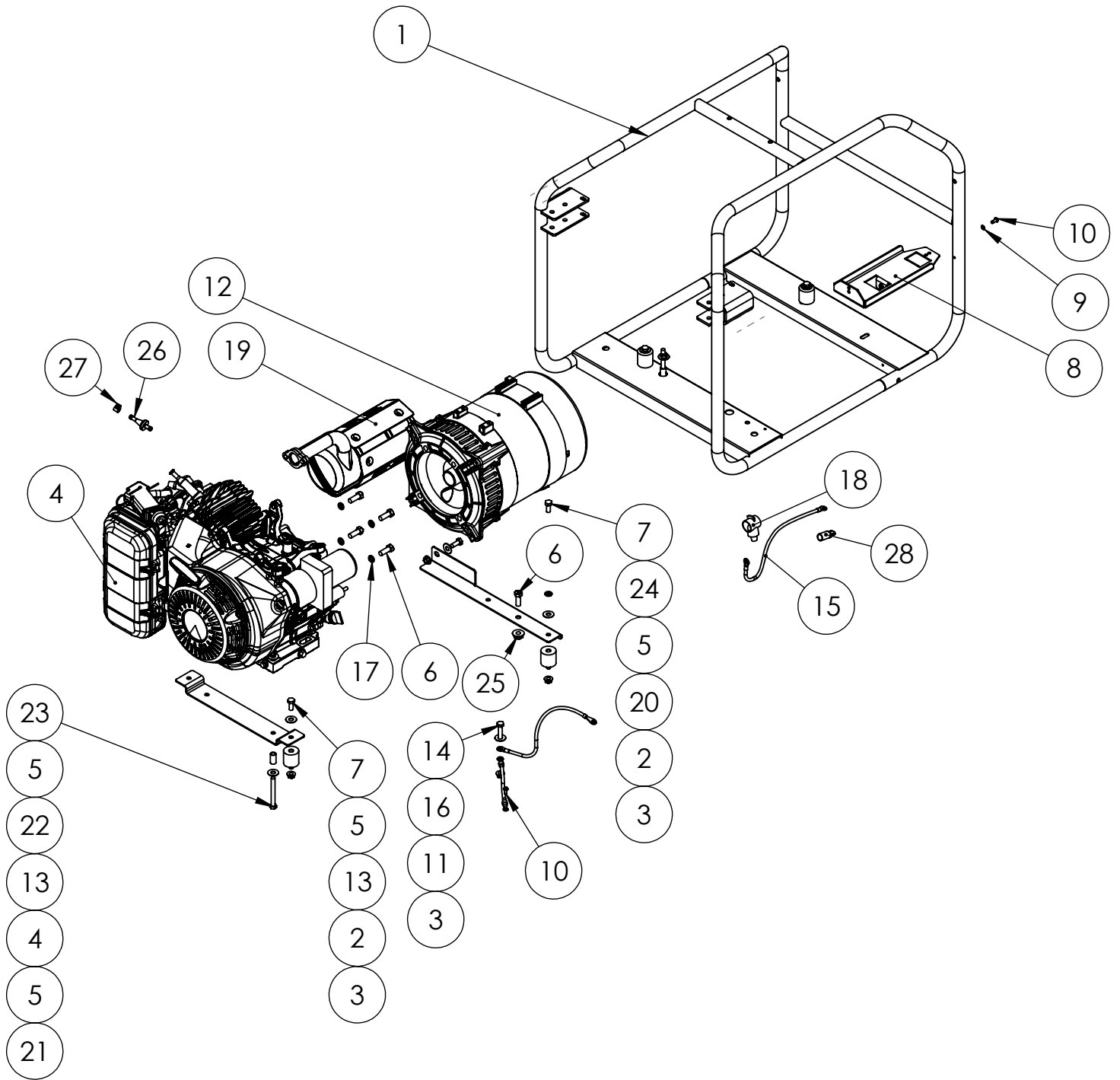
**WINCO Service**  
Phone: 507-357-6831  
Email: [service@wincogen.com](mailto:service@wincogen.com)  
[www.wincogen.com](http://www.wincogen.com)

# General Assembly



ITEM NO.	PartNo	DESCRIPTION	QTY.
1	18000-025	CRADLE ASSEMBLY	1
2	15457-067	RECEPTACLE ASSEMBLY	1
3	64024-006	FUEL SYSTEM INSTALLATION	1
4	23590-001	CURVED HEAD BOLT 5/16-18 X 1 1/2	2
5	300217-33	RIGHT SIDE RAIL	1
6	16249-000	.3125-18 FLANGE	2
7	15209-003	UL-DECAL ELECTRICAL SHOCK CAN KILL	1
8	15209-001	GASOLINE DECAL	1
9	15209-002	DECAL-DANGER CARBON MONOXIDE	1
10	64918-000	DECAL-DANGER (CO) USE OUTSIDE	1
11	15209-013	DECAL - FUEL TYPE GASOLINE	1
12	63941-001	DECAL -HOT SURFACES	1
13	15209-014	DECAL - CHECK OIL	1
14	63966-004	NAMEPLATE, WINCO PORTABLE	1
15	300144-21	LIFTING EYE ASSEMBLY	1
16	96286-002	FLAT WASHER NYLON	1
17	21698-001	TORX PAN HEAD SCREW #10	1
18	60710-018	OIL WARNING TAG	1
19	100047-775	30 X 22 X 24 CARTON	1
20	100059-002	PALLET, 30 X 22.5	1
21	82539-001	SELF TAP.SC.6X3/8	1
22	63941-012	DECAL-HOT SURFACES	1

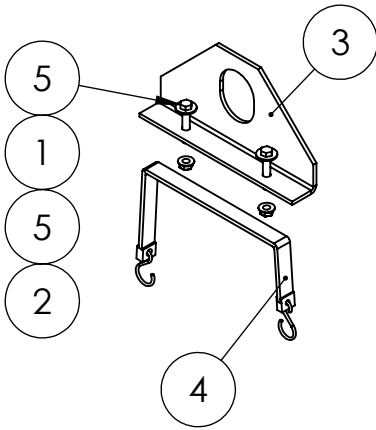
# Cradle Assembly



# Cradle Assembly

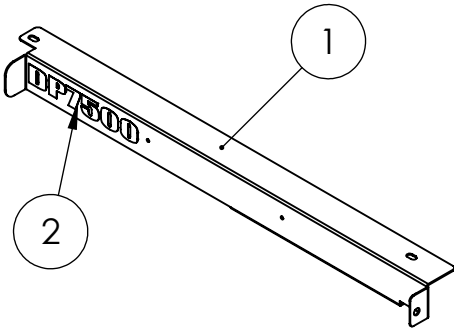
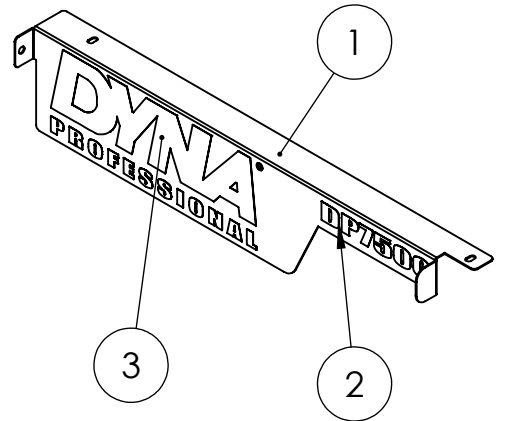
ITEM NO.	PartNo	DESCRIPTION	QTY.
1	63073-055	WELDED CRADLE ASSEMBLY	1
2	64062-000	SHOCKMOUNT, BLACK 40 DURO	4
3	16249-000	.3125-18 FLANGE	7
4	15428-002	ENGINE HONDA GX390RT2 VCT2	1
5	526-000	5/16 FLAT WASHER	10
6	91658-001	HHCS 3/8-16X1	5
7	467-000	HHCS 5/16-18X3/4 GR5	5
8	15676-020	BATTERY TRAY	1
9	96286-002	FLAT WASHER NYLON	2
10	21698-001	TORX PAN HEAD SCREW #10	3
11	9769-145	LEAD WIRE ASSEMBLY	1
12	16346-005	GEN END, 7.2 KW, MECC ALTE	1
13	15929-010	SHOCKMOUNT BRACKET	1
14	468-000	.3125-18X1.5 HHCS	1
15	15767-014	POS. BATTERY CABLE	1
16	15767-030	NEG. BATTERY CABLE	1
17	481-000	LOCK 3/8 SPLIT	4
18	16145-000	TERMINAL INSULATOR	1
19	350590-18	MUFFLER, GX270-GX390, HT7, W/HEAT SHIELDING	1
20	16335-023	GENERATOR SUPPORT	1
21	47136-000	HEX NUT .3125-18 NYLOK	2
22	62825-003	SPACER .318ID X 7/8LG	2
23	51101-000	.3125-18 X 2.75 HHCS	2
24	480-000	5/16 SPLIT LOCKWASHER	2
25	16250-000	.375-16 FLANGE NUT	1
26	62496-005	FUEL FILTER, 40-70MIC	1
27	62999-005	HOSE CLAMP .41 OD GREEN	1
28	16234-000	CAP PLUG	1

# MISC Assemblies



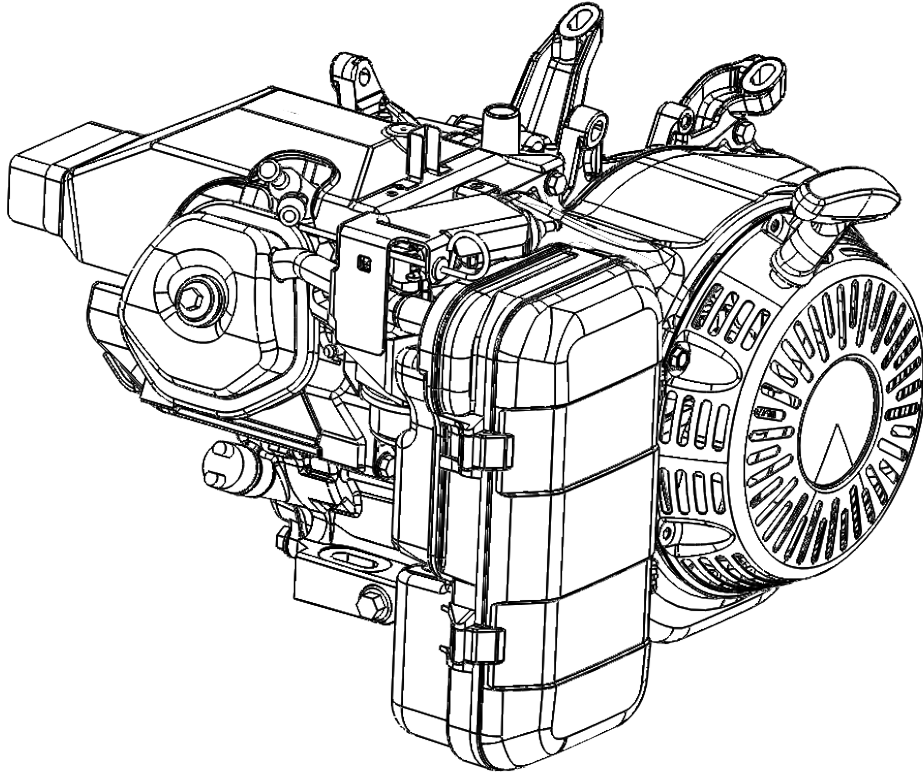
ITEM NO.	PartNo	DESCRIPTION	QTY.
1	526-000	WASHER ID .375 OD .890	2
2	16249-000	.3125-18 FLANGE	2
3	300148-24	LIFTING EYE	1
4	16329-001	RUBBER STRAP, BATTERY HOLD DOWN	1
5	9416-000	HHCS .3125-18X1.75 GR5	2

ITEM NO.	PartNo	DESCRIPTION	QTY.
1	300217-26	RIGHT SIDE RAIL	1
2	97993-005	DP7500 DECAL	1
3	97993-006	DYNA PROFESSIONAL DECAL	1



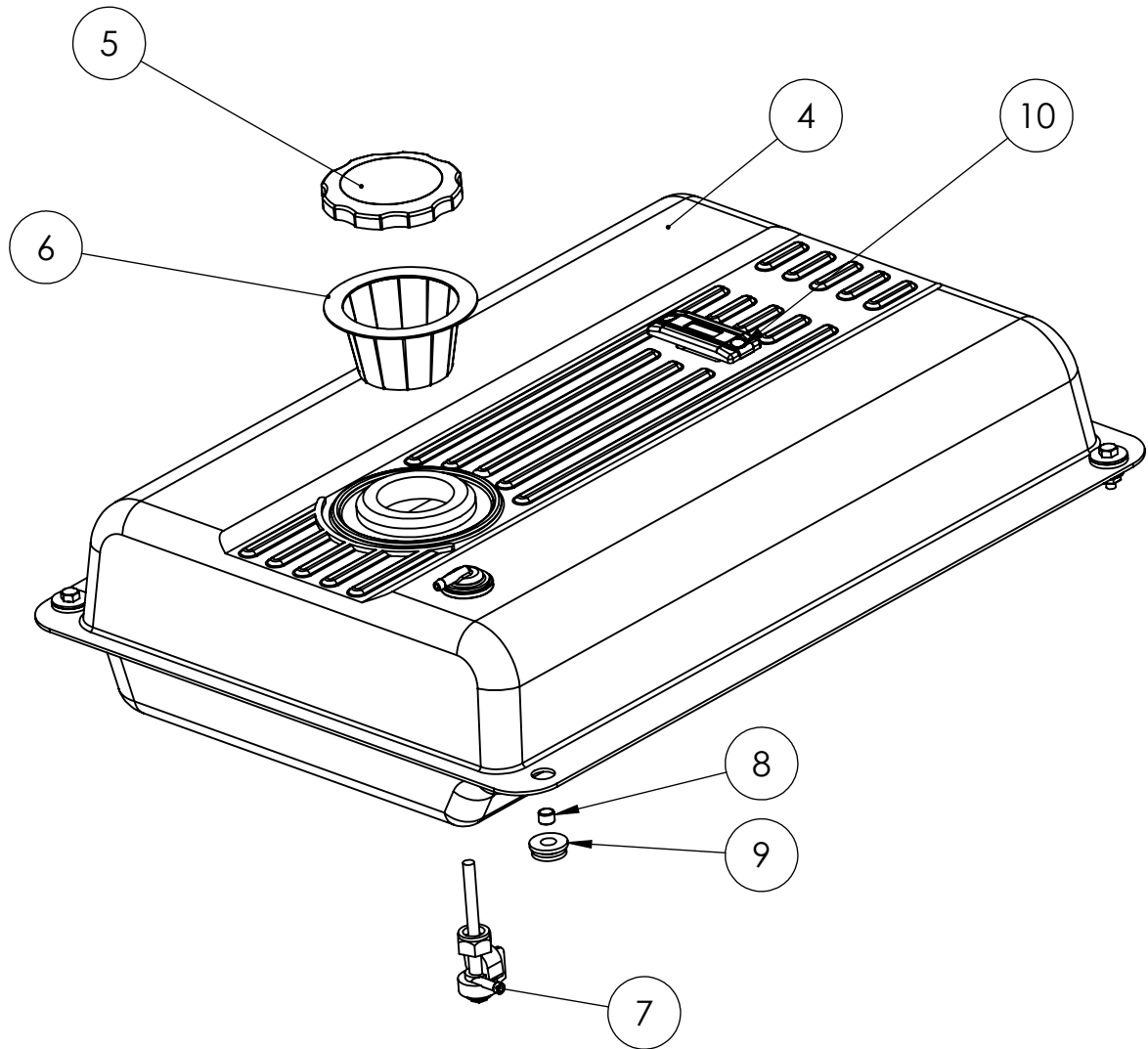
ITEM NO.	PartNo	DESCRIPTION	QTY.
1	300217-27	LEFT SIDE RAIL	1
2	97993-005	DP7500 DECAL	1

# Engine



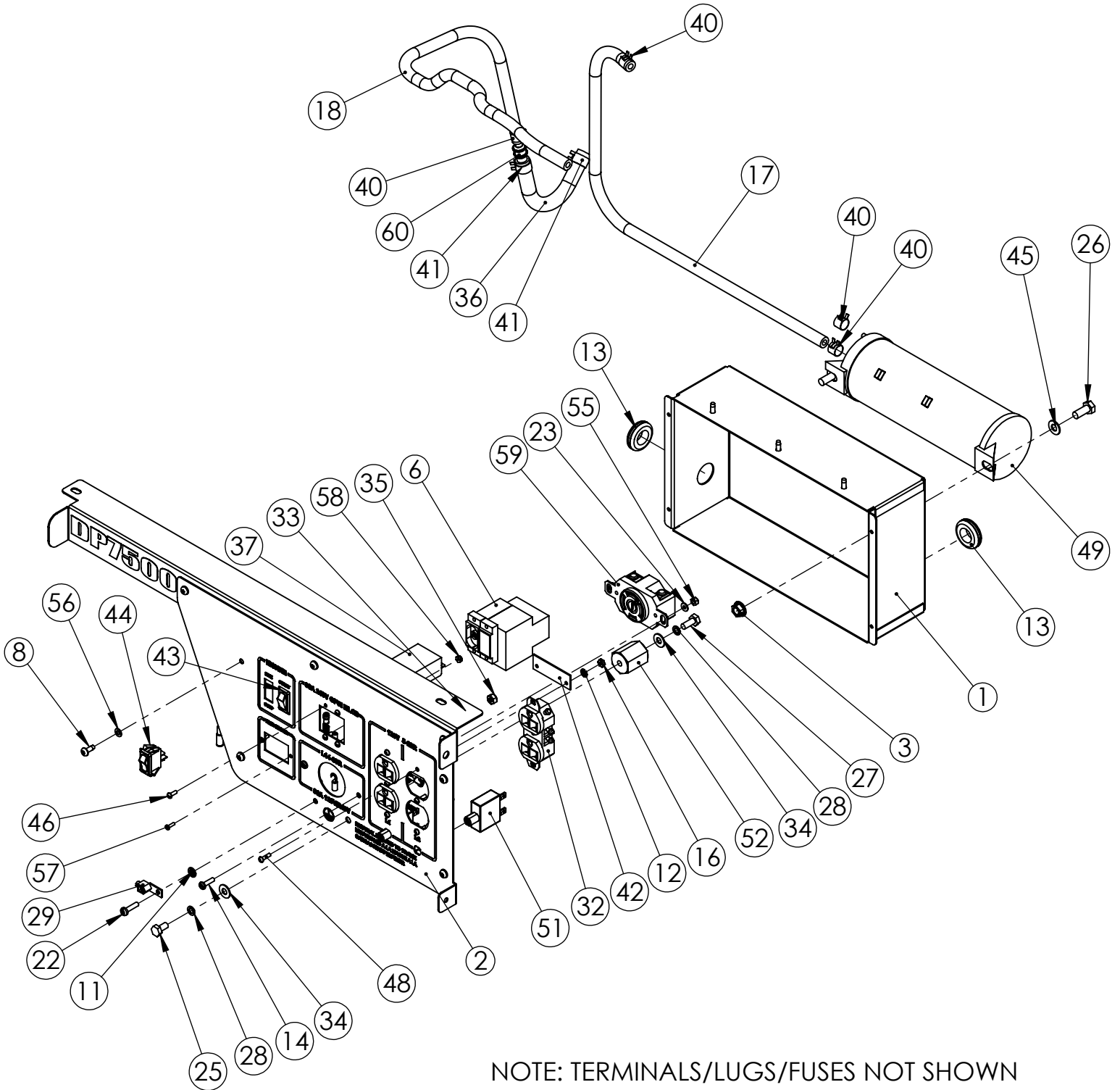
ITEM	PART	DESCRIPTION	QTY
1	1-111	Spark Plug	1
2	1-112	Air Filter	1
Contact WINCO service or your Honda dealer for full engine part support.			

# Fuel Tank



ITEM NO.	PartNo	DESCRIPTION	Default/Qty.
1	16248-000	.25-20 FLANGE NUT	3
2	267-002	FLAT WSH 9/32X1X.063	3
3	439-000	.25-20 X 1 HHB	3
4	64024-007	FUEL TANK LD-08 PM 8 GALLON	1
5	64024-401	FUEL CAP, SEALED, AUDIBLE, TETHERED	1
6	64024-403	FUEL FILTER	1
7	64024-404	168B FUEL CONTROL VALVE	1
8	64024-405	ANTI-CRUSH INSERT	4
9	64024-406	RUBBER BUSHING	4
10	64024-409	FUEL LEVEL GAUGE, 180MM	1
ALL ITEMS LISTED IN THE ABOVE TABLE ARE INCLUDED WITH A 64024-007 FUEL TANK PURCHASE			
12	62273-262	TOUCH UP PAINT, BLACK 3048	

# Receptacle Assembly



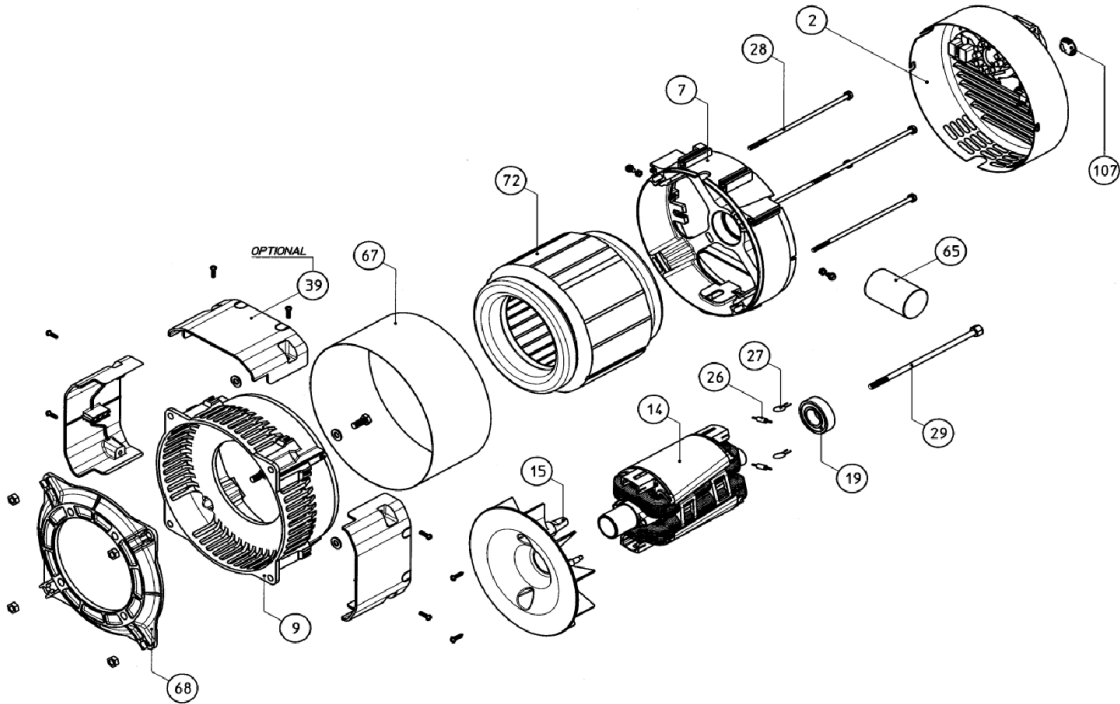
NOTE: TERMINALS/LUGS/FUSES NOT SHOWN



# Receptacle Assembly

ITEM NO.	PartNo	DESCRIPTION	QTY.
1	15221-043	RECEPTACLE BOX	1
2	15458-067	RECEPTACLE PANEL	1
3	16249-000	.3125-18 FLANGE	2
4	16346-010	4-POSITION PLUG	1
5	16346-011	TERMINAL LUG	4
6	16488-018	CIR.BRK.30A-2PL-240V-GFCI-CARLING	1
7	20531-000	TERMINAL RING 12-10AWG 5/16 STUD	2
8	21698-001	TORX PAN HEAD SCREW #10	10
9	21850-002	TERMINAL HOOK 16-14 AWG #10STUD	8
10	21850-011	TERMINAL HOOK 12-10 AWG #10STUD	5
11	21975-000	#10 INT. TOOTH LOCKWASHER	1
12	22989-000	#6 LOCKWASHER	4
13	23917-000	GROMMET .6875 X 1	2
14	24198-001	BHMS #8-32 x .625 BLACK	2
15	2489-004	IN-LINE FUSE HOLDER	2
16	394-000	NUT HEX #6-32	4
17	40078-000	.25IN ID RUBBER HOSE 24IN LONG	1
18	40078-000	.25IN ID RUBBER HOSE 40IN LONG	1
19	4156-000	TERMINAL RING 12-10 #10 STUD	2
20	4158-000	TERMINAL RING 16-14 AWG #10	1
21	4160-000	TERMINAL, RING, 16-14AWG, 1/4 STUD	1
22	420-000	RHMS 10-24 X .75	1
23	425-000	#6 FLATWASHER	4
24	44791-000	TERMINAL CLOSED CONNECTOR	1
25	463-000	HEX BOLT .25-20X.50	1
26	467-000	HHCS 5/16-18X3/4 GR5	2
27	476-000	.25-20X.625 HHB	1
28	479-000	LOCK WASHER, .25" SPLIT	2
29	48042-001	TERMINAL, GROUND LUG, 6-14AWG	1
30	48602-001	TERMINAL FEMALE 16/14AWG .250	6
31	48602-003	TERMINAL FEMALE 16-14 AWG .250 TAB	4
32	50766-000	NEMA 5-20R DUPLEX RECEPTACLE	2
33	511-000	#8 FLAT WASHER	1
34	512-000	.25 WASHER	2
35	5315-000	NUT HEX 10-24 NYLON	1
36	55505-000	HOSE .375" ID RUBBER 2.25" CUT	1
37	58166-001	ELAPSED TIME METER	1
38	62485-000	TERMINAL BULLET MALE 16-14 AWG	2
39	62495-000	TERMINAL BULLET FEMALE	1
40	62999-001	HOSE CLAMP .5 OD RED	4
41	62999-004	HOSE CLAMP .69 OD	2
42	64045-041	MOUNTING STRAP, 2 HOLE, 1.800 IN	1
43	64089-001	SPST, ROCKER SWITCH	1
44	64089-000	SPST, ROCKER SWITCH	1
45	65005-001	5/16 WASHER SS	2
46	6917-001	RHMS 6-32 X .375 BLACK ZINC	4
47	7547-000	TERMINAL RING 16/14AWG .375 STUD	1
48	7792-001	BZ RHMS 6-32X.5	6
49	80902-001	CARBON CANISTER, 7 GAL.	1
50	81964-000	TERMINAL FEMALE 22-18 GA .250	3
51	91286-001	CIRCUIT BREAKER, 20A, 1 POLE	2
52	94378-000	STAND-OFF INSULATOR	1
53	95064-006	FUSE AGC 10 AMP	1
54	95064-009	FUSE AGC 5 AMP	1
55	95985-000	#8-32 NYLOK HEX NUT	2
56	96286-002	FLAT WASHER NYLON	7
57	97322-000	RHMS 4-40X3/8	2
58	97327-000	HEX NUT 4-40 NYLOK	2
59	97360-000	RECEPTACLE, NEMA L14-30R 120_240V	1
60	98590-003	HOSE REDUCER 1/8-5/16 X 1/4-7/16	1
61	300216-33	LEFT SIDE RAIL	1

# Generator Information



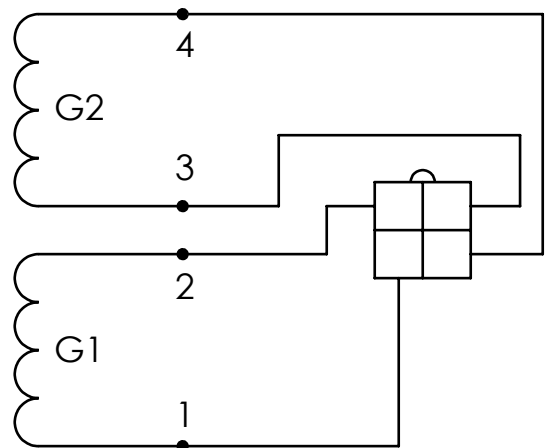
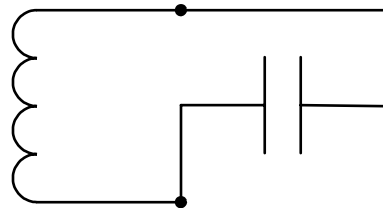
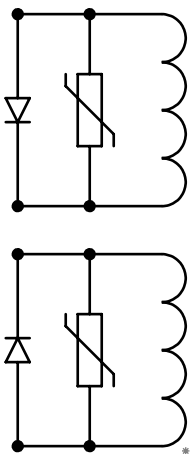
ITEM	PART	DESCRIPTION	QTY
1	16346-005	COMPLETE S20W-95 GEN	1
19	54665-000	BEARING 6205-2RS	1
26	300323-207	DIODE - SCD 25A 1300V	2
27	16346-106	VARISTOR	2
65	16346-312	CAPACITOR, 40 MFD, 450 VAC	1
107	9-100	END PLUG	1
-	16436-010	LOAD PLUG	1
-	16346-011	LOAD PLUG PINS	4

S20W-95 EXPECTED RESISTANCE ( $\Omega$ )		
ROTOR	STATOR	EXCITATION

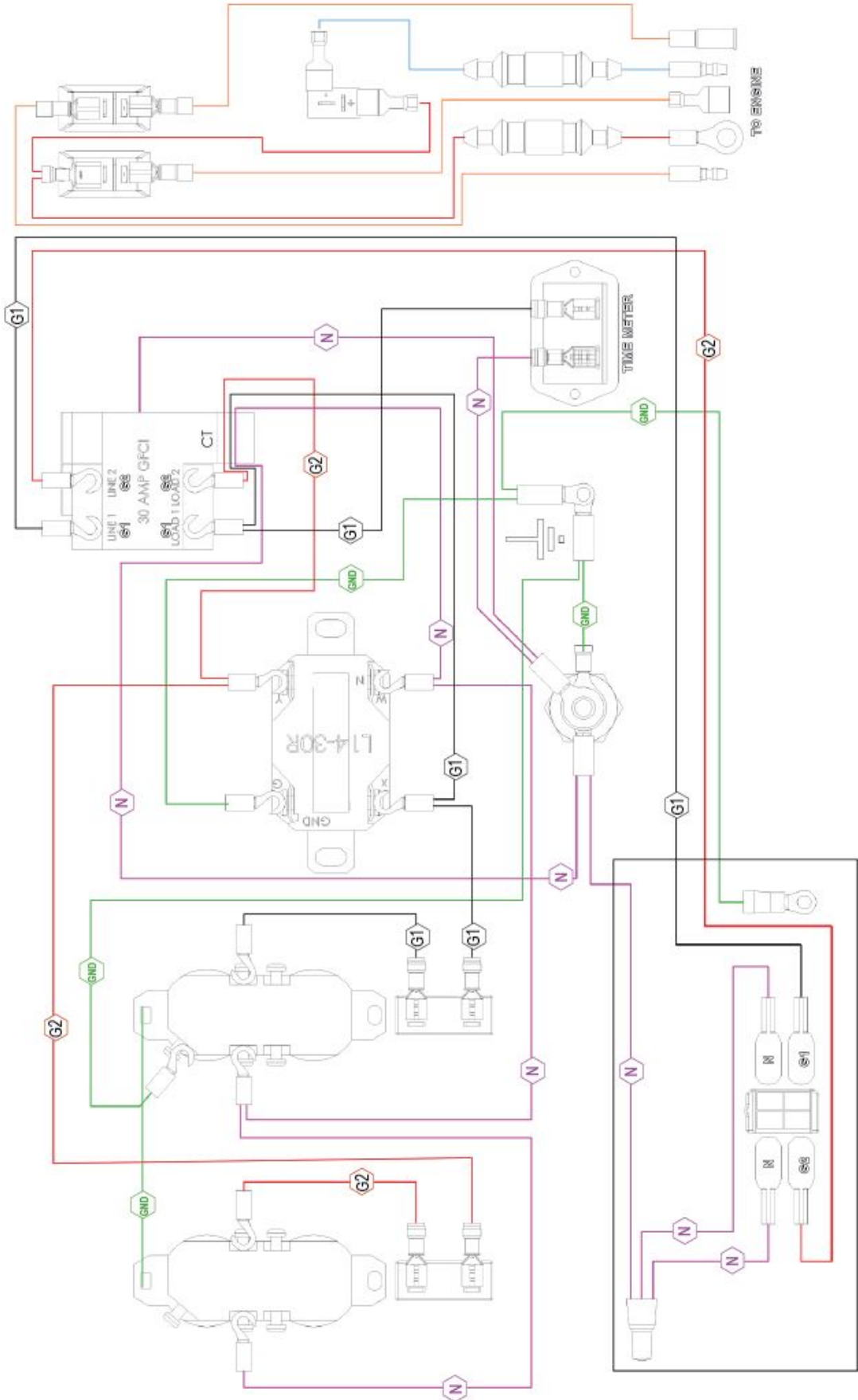
ROTOR

EXCITATION

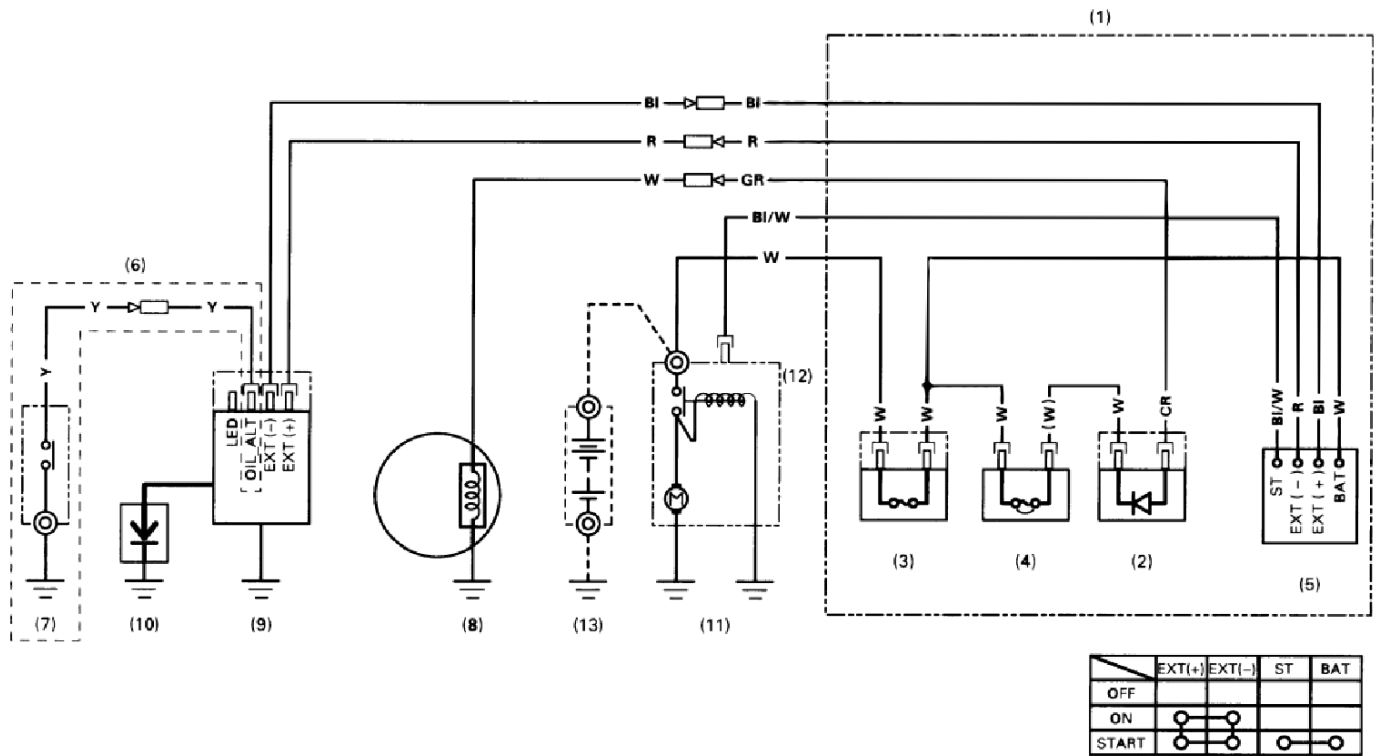
POWER



# Receptacle Wiring



# Engine Electrical Schematic



ITEM	DESCRIPTION
2	Rectifier
3	Fuse
4	Fuse
5	Engine Switches
7	Oil Level Switch
8	Charge Coil
9	Ignition Cable
10	Spark Plug
11	Starter Motor
12	Starter Solenoid
13	Battery (12V)