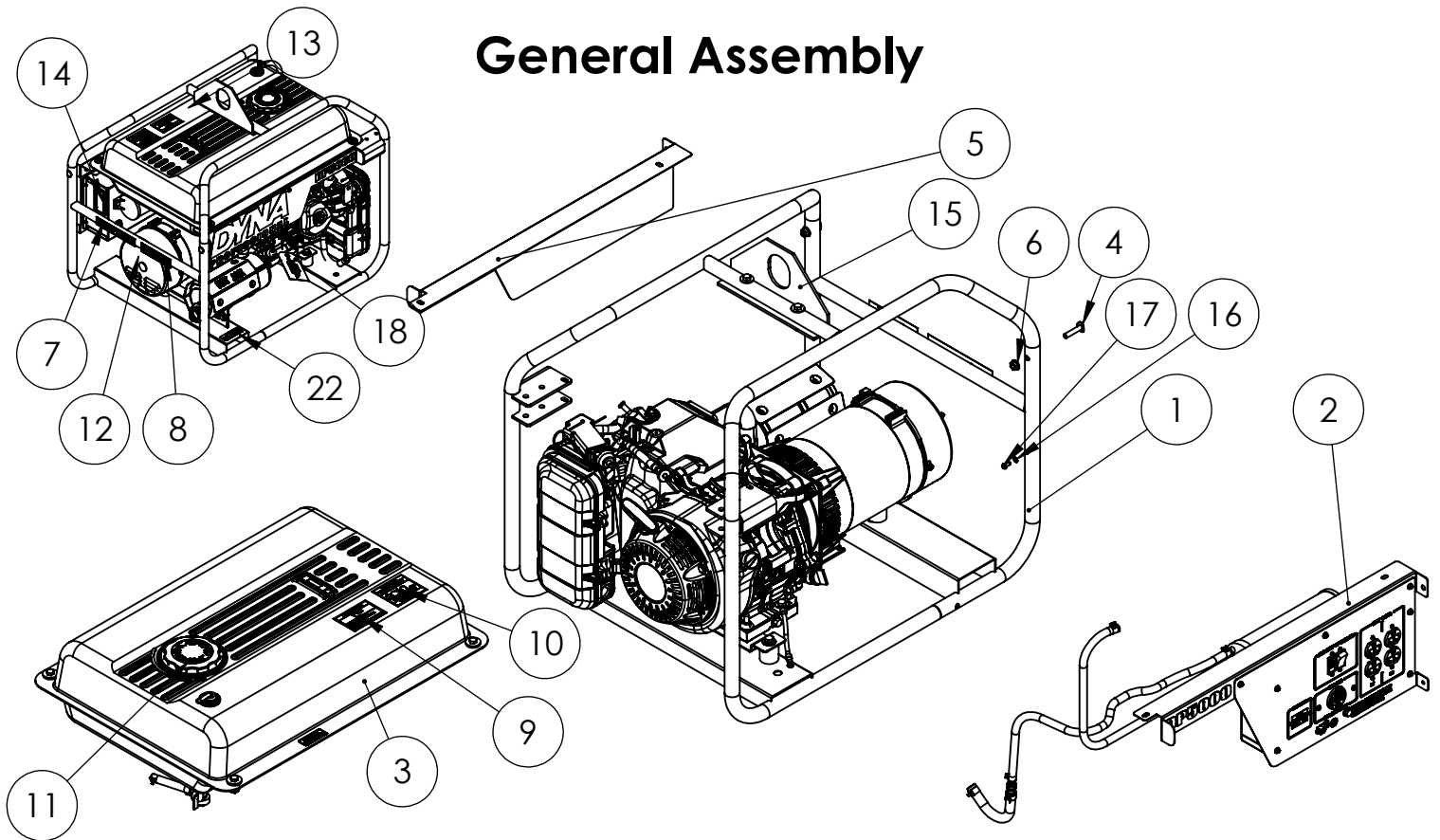


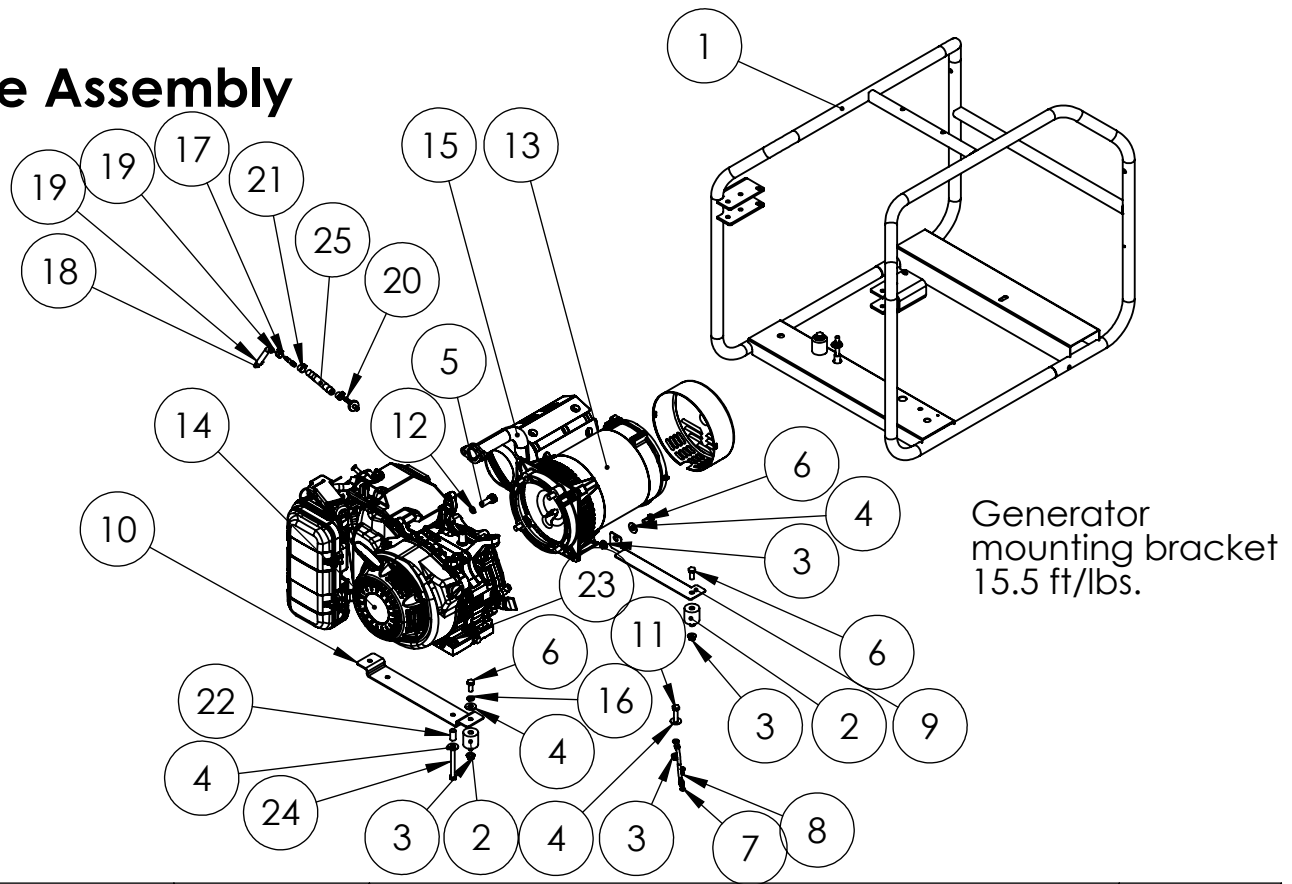
WINCO Service
Phone: 507-357-6831
Email: service@wincogen.com
www.wincogen.com

General Assembly



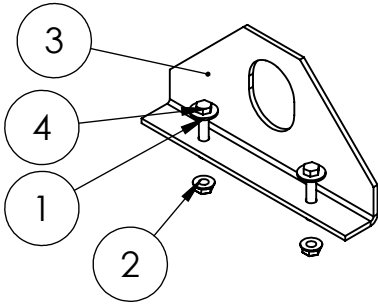
ITEM NO.	PartNo	DESCRIPTION	QTY.
1	18000-036	CRADLE ASSEMBLY DP5000	1
2	15457-073	RECEPTACLE ASSEMBLY	1
3	64024-006	FUEL SYSTEM INSTALLATION	1
4	23590-001	CURVED HEAD BOLT 5/16-18 X 1 1/2	2
5	300217-32	RIGHT SIDE RAIL	1
6	16249-000	.3125-18 FLANGE	2
7	15209-003	UL-DECAL ELECTRICAL SHOCK CAN KILL	1
8	15209-001	GASOLINE DECAL	1
9	15209-002	DECAL-DANGER CARBON MONOXIDE	1
10	64918-000	DECAL-DANGER (CO) USE OUTSIDE	1
11	15209-013	DECAL - FUEL TYPE GASOLINE	1
12	63941-001	DECAL -HOT SURFACES	1
13	15209-014	DECAL - CHECK OIL	1
14	63966-004	NAMEPLATE, WINCO PORTABLE	1
15	300144-22	LIFTING EYE ASSEMBLY	1
16	96286-002	FLAT WASHER NYLON	1
17	21698-001	TORX PAN HEAD SCREW #10	1
18	60710-018	OIL WARNING TAG	1
19	100047-775	30 X 22 X 24 CARTON	1
20	100059-002	PALLET, 30 X 22.5	1
21	82539-001	SELF TAP.SC.6X3/8	1
22	63941-012	DECAL-HOT SURFACES	1

Cradle Assembly



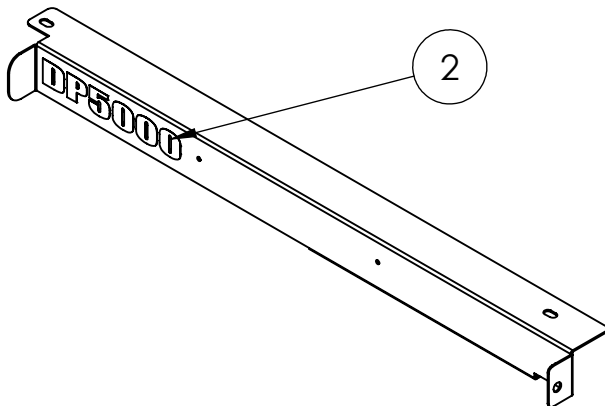
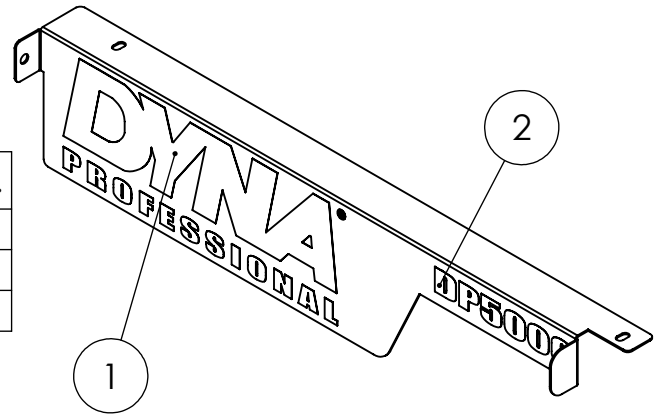
ITEM NO.	PartNo	DESCRIPTION	QTY.
1	63073-061	WELDED CRADLE ASSEMBLY	1
2	64062-000	SHOCKMOUNT, BLACK 40 DURO	3
3	16249-000	.3125-18 FLANGE	5
4	526-000	5/16 FLAT WASHER	8
5	93704-000	SOC.HCS 3/8-16X1	4
6	467-000	HHCS 5/16-18X3/4 GR5	4
7	9769-145	LEAD WIRE ASSEMBLY	1
8	21698-001	TORX PAN HEAD SCREW #10	1
9	15792-002	MUFFLER SUPPORT BRACKET	1
10	15929-010	SHOCKMOUNT BRACKET	1
11	468-000	.3125-18X1.5 HHCS	1
12	481-000	LOCK 3/8 SPLIT	4
13	16346-006	MECC ALTE S16W-130	1
14	15542-004	ENGINE HONDA GX270	1
15	350590-18	MUFFLER, GX270-GX390, HT7, W/HEAT SHIELDING	1
16	480-000	5/16 SPLIT LOCKWASHER	2
17	98590-002	HOSE REDUCER 1/4X3/16 (SCP)	1
18	40077-010	HOSE 3/16ID RUBBER 3IN CUT	1
19	62999-005	HOSE CLAMP .41 OD GREEN	2
20	62496-005	FUEL FILTER, 40-70MIC	1
21	62999-001	HOSE CLAMP .5 OD RED	2
22	62825-003	SPACER .318ID X 7/8LG	2
23	47136-000	HEX NUT .3125-18 NYLOK	2
24	51101-000	.3125-18 X 2.75 HHCS	2
25	40078-032	HOSE 1/4 ID RUBBER 5"	1

MISC Assemblies



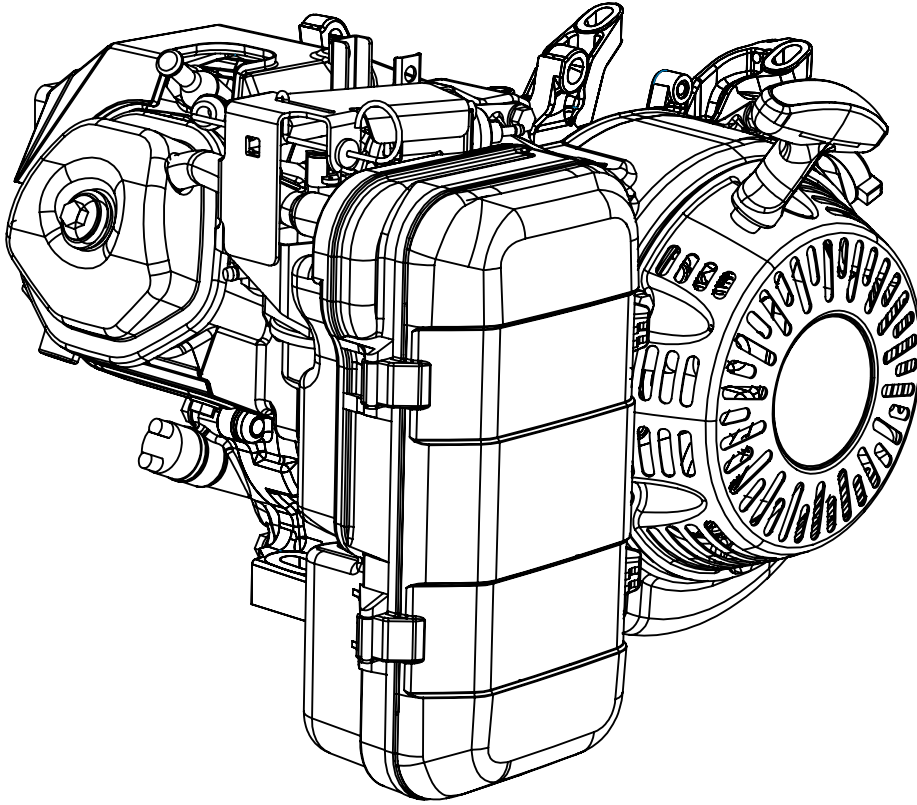
ITEM NO.	PartNo	DESCRIPTION	QTY.
1	526-000	WASHER ID .375 OD .890	2
2	16249-000	.3125-18 FLANGE	2
3	300148-24	LIFTING EYE	1
4	9416-000	HHCS .3125-18X1.75 GR5	2

ITEM NO.	PartNo	DESCRIPTION	QTY.
1	97993-006	DYNA PROFESSIONAL DECAL	1
2	97993-008	DP5000 DECAL	1
3	300217-26	RIGHT SIDE RAIL	1



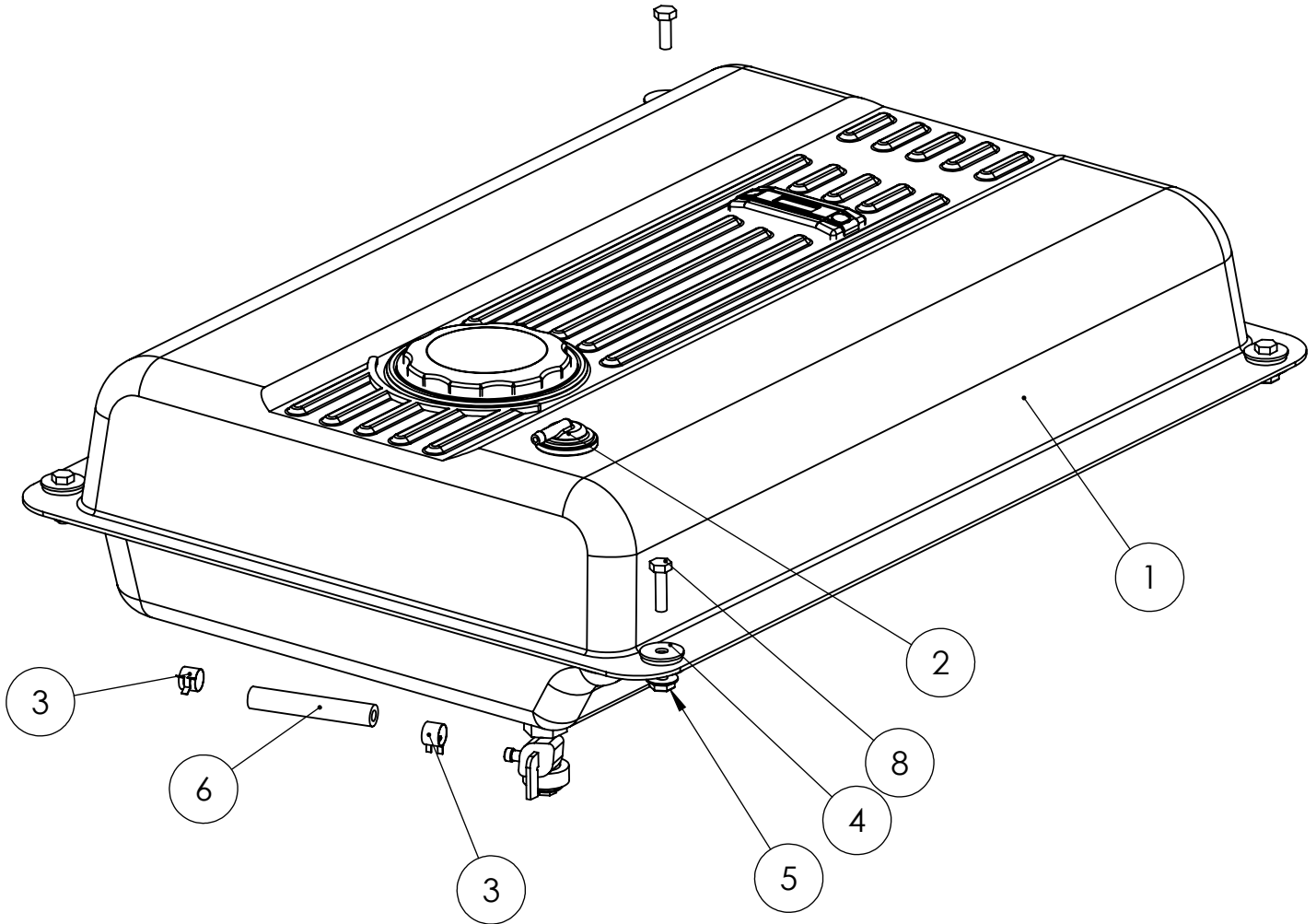
ITEM NO.	PartNo	DESCRIPTION	QTY.
1	300217-27	LEFT SIDE RAIL	1
2	97993-008	DP5000 DECAL	1

Engine Parts



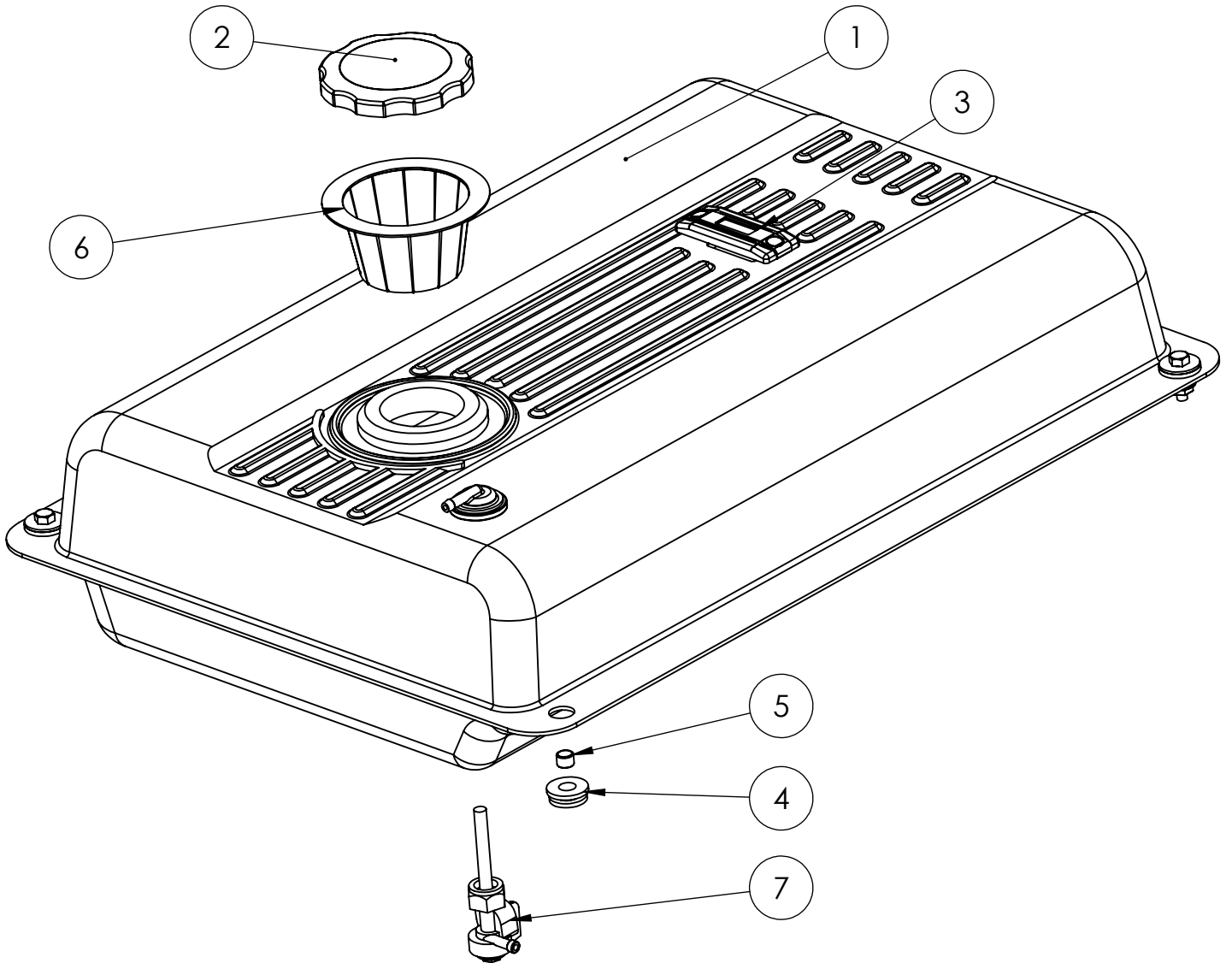
ITEM	PART	DESCRIPTION	QTY
1	1-111	Spark Plug	1
2	1-112	Air Filter	1
Contact WINCO service or your Honda dealer for full engine part support.			

Fuel System



ITEM NO.	PartNo	DESCRIPTION	QTY.
1	64024-007	FUEL TANK LD-08 PM 8 GALLON	1
2	80903-002	SLOSH VALVE 1/4" HOSE	1
3	62999-001	HOSE CLAMP .5 OD RED	2
4	267-002	FLAT WSH 9/32X1X.063	4
5	16248-000	.25-20 FLANGE NUT	4
6	40078-036	3IN FUEL LINE	1
7	466-000	.25-20X.75 HHB	2
8	439-000	HHCS 1/4-20 X 1	2

Fuel Tank

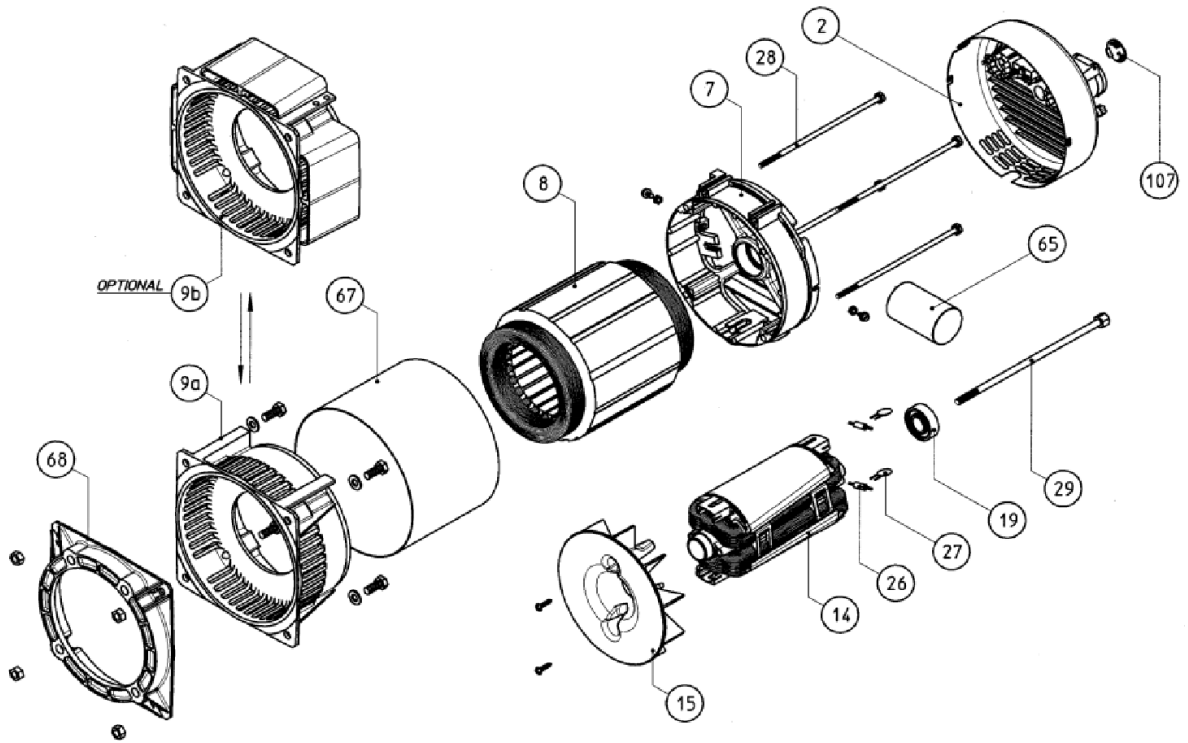


ITEM NO.	PartNo	DESCRIPTION	Parts List Exploded/QTY.
1	64024-007	FUEL TANK LD-08 PM 8 GALLON	1
2	64024-401	FUEL CAP, SEALED, AUDIBLE, TETHERED	1
3	64024-409	FUEL LEVEL GAUGE, 180MM	1
4	64024-406	RUBBER BUSHING	4
5	64024-405	ANTI-CRUSH INSERT	4
6	64024-403	FUEL FILTER	1
7	64024-404	168B FUEL CONTROL VALVE	1
8	267-002	FLAT WSH 9/32X1X.063	3
9	439-000	.25-20 X 1 HHB	3
10	16248-000	.25-20 FLANGE NUT	3

Receptacle Assembly Bill of Material

ITEM NO.	PartNo	DESCRIPTION	QTY.
1	15221-050	RECEPTACLE BOX	1
2	15458-074	RECEPTACLE PANEL	1
3	16249-000	.3125-18 FLANGE	2
4	16346-010	4-POSITION PLUG	1
5	16346-011	TERMINAL LUG	4
6	16488-019	CIR.BRK.20A-2PL-240V GFCI	1
7	20531-000	TERMINAL RING 12-10AWG 5/16 STUD	2
8	21698-001	TORX PAN HEAD SCREW #10	10
9	21850-002	TERMINAL HOOK 16-14 AWG #10STUD	8
10	21850-011	TERMINAL HOOK 12-10 AWG #10STUD	5
11	21975-000	#10 INT. TOOTH LOCKWASHER	1
12	22989-000	#6 LOCKWASHER	4
13	23917-000	GROMMET .6875 X 1	1
14	24198-001	BHMS #8-32 x .625 BLACK	2
15	394-000	NUT HEX #6-32	4
16	40078-000	.25IN ID RUBBER HOSE 24IN LONG	1
17	40078-000	.25IN ID RUBBER HOSE 40IN LONG	1
18	4156-000	TERMINAL RING 12-10 #10 STUD	2
19	4158-000	TERMINAL RING 16-14 AWG #10	1
20	420-000	RHMS 10-24 X .75	1
21	425-000	#6 FLATWASHER	4
22	44791-000	TERMINAL CLOSED CONNECTOR	1
23	463-000	HEX BOLT .25-20X.50	1
24	467-000	HHCS 5/16-18X3/4 GR5	2
25	476-000	.25-20X.625 HHB	1
26	479-000	LOCK WASHER, .25" SPLIT	2
27	48042-001	TERMINAL, GROUND LUG, 6-14AWG	1
28	48602-001	TERMINAL FEMALE 16/14AWG .250	2
29	50766-000	NEMA 5-20R DUPLEX RECEPTACLE	2
30	511-000	#8 FLAT WASHER	1
31	512-000	.25 WASHER	2
32	5315-000	NUT HEX 10-24 NYLON	1
33	55505-000	HOSE .375" ID RUBBER 2.25" CUT	1
34	58166-001	ELAPSED TIME METER	1
35	62999-001	HOSE CLAMP .5 OD RED	4
36	62999-004	HOSE CLAMP .69 OD	2
37	64045-041	MOUNTING STRAP, 2 HOLE, 1.800 IN	1
38	65005-001	5/16 WASHER SS	2
39	6917-001	RHMS 6-32 X .375 BLACK ZINC	4
40	7547-000	TERMINAL RING 16/14AWG .375 STUD	1
41	7792-001	BZ RHMS 6-32X.5	6
42	80902-001	CARBON CANISTER, 7 GAL.	1
43	94378-000	STAND-OFF INSULATOR	1
44	95985-000	#8-32 NYLOK HEX NUT	2
45	96286-002	FLAT WASHER NYLON	7
46	97322-000	RHMS 4-40X3/8	2
47	97327-000	HEX NUT 4-40 NYLOK	2
48	97360-000	RECEPTACLE, NEMA L14-30R 120_240V	1
49	98590-003	HOSE REDUCER 1/8-5/16 X 1/4-7/16	1
50	300216-32	LEFT SIDE RAIL	1

Generator Information



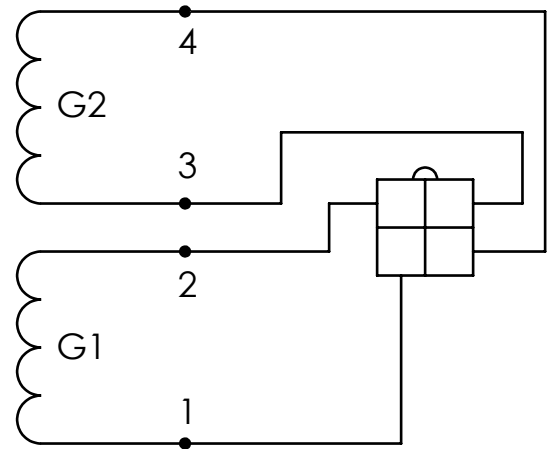
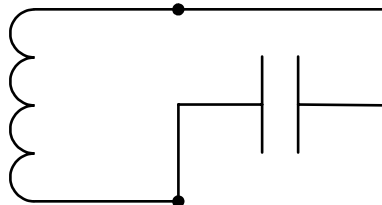
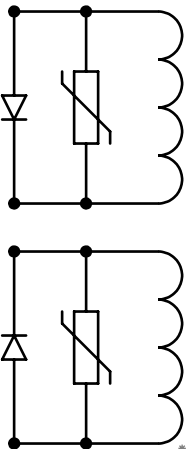
ITEM	PART	DESCRIPTION	QTY
1	16346-006	Complete S16W-130 Gen	1
19	55223-000	Rear Bearing	1
26	16346-106	Varistor	2
27	16346-105	Diode	2
65	16346-615	Capacitor, 25MFD, 425VAC	1
107	9-100	Plastic Hole Plug	1
-	16346-010	Load Plug	1
-	16346-011	Load Plug Pins	4

S16W-130 Expected Resistance (Ω)		
Rotor	Stator	Excitation
3.95	0.36	2.446

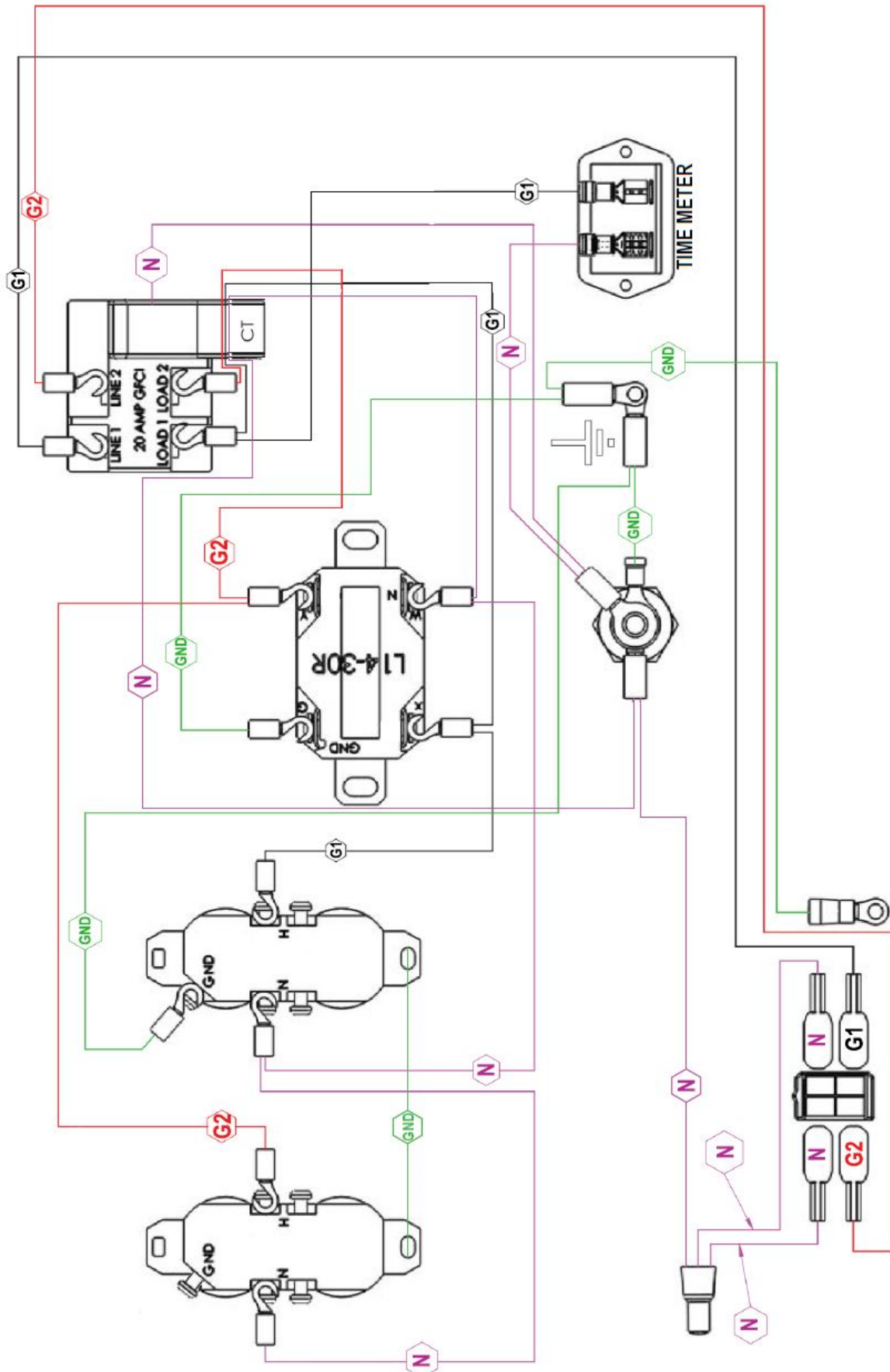
Rotor

Excitation

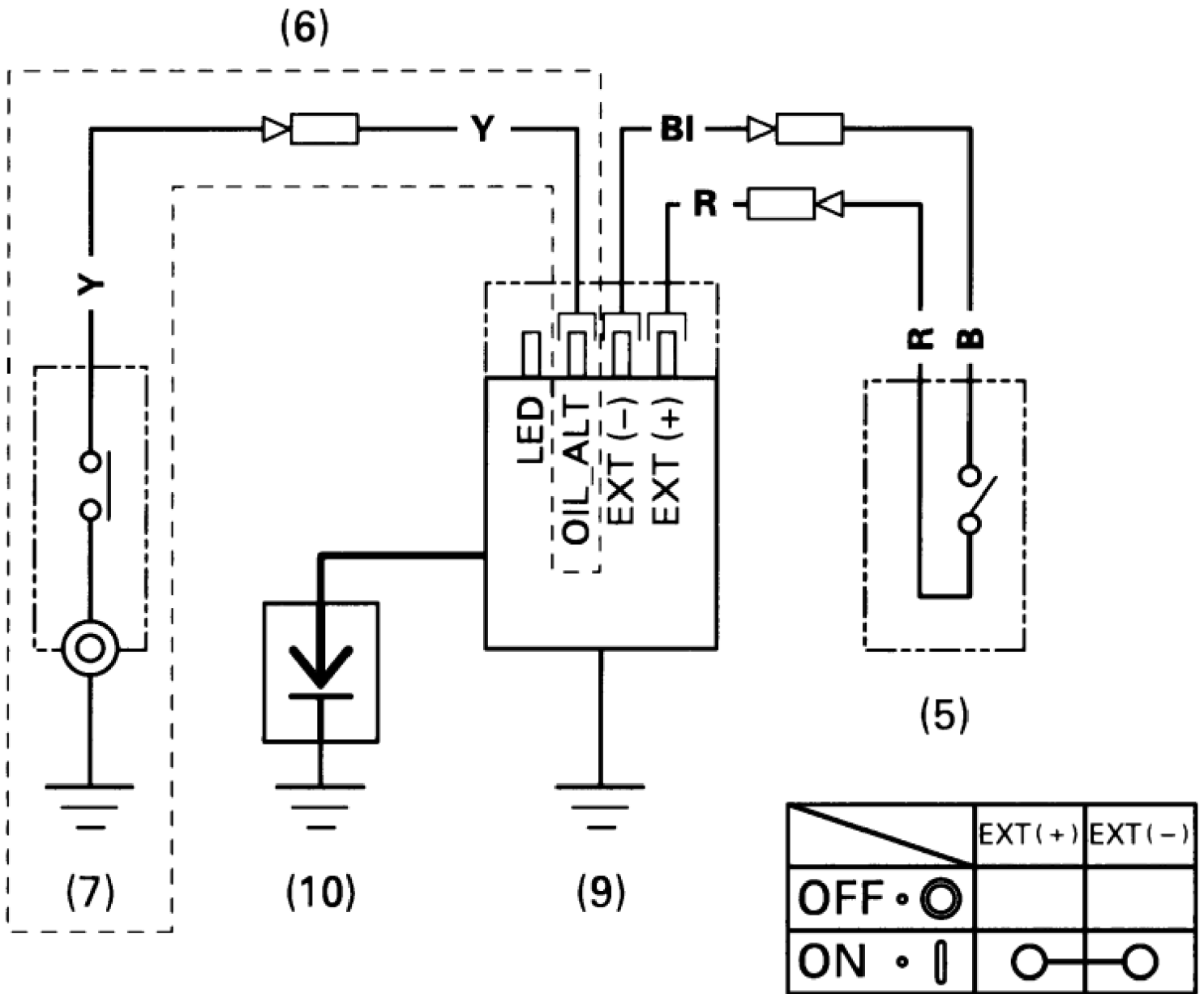
Power



Receptacle Wiring Diagram



Engine Electrical Schematic



Item	Description
5	Engine Switch
7	Oil Level Switch
9	Ignition Coil
10	Spark Plug