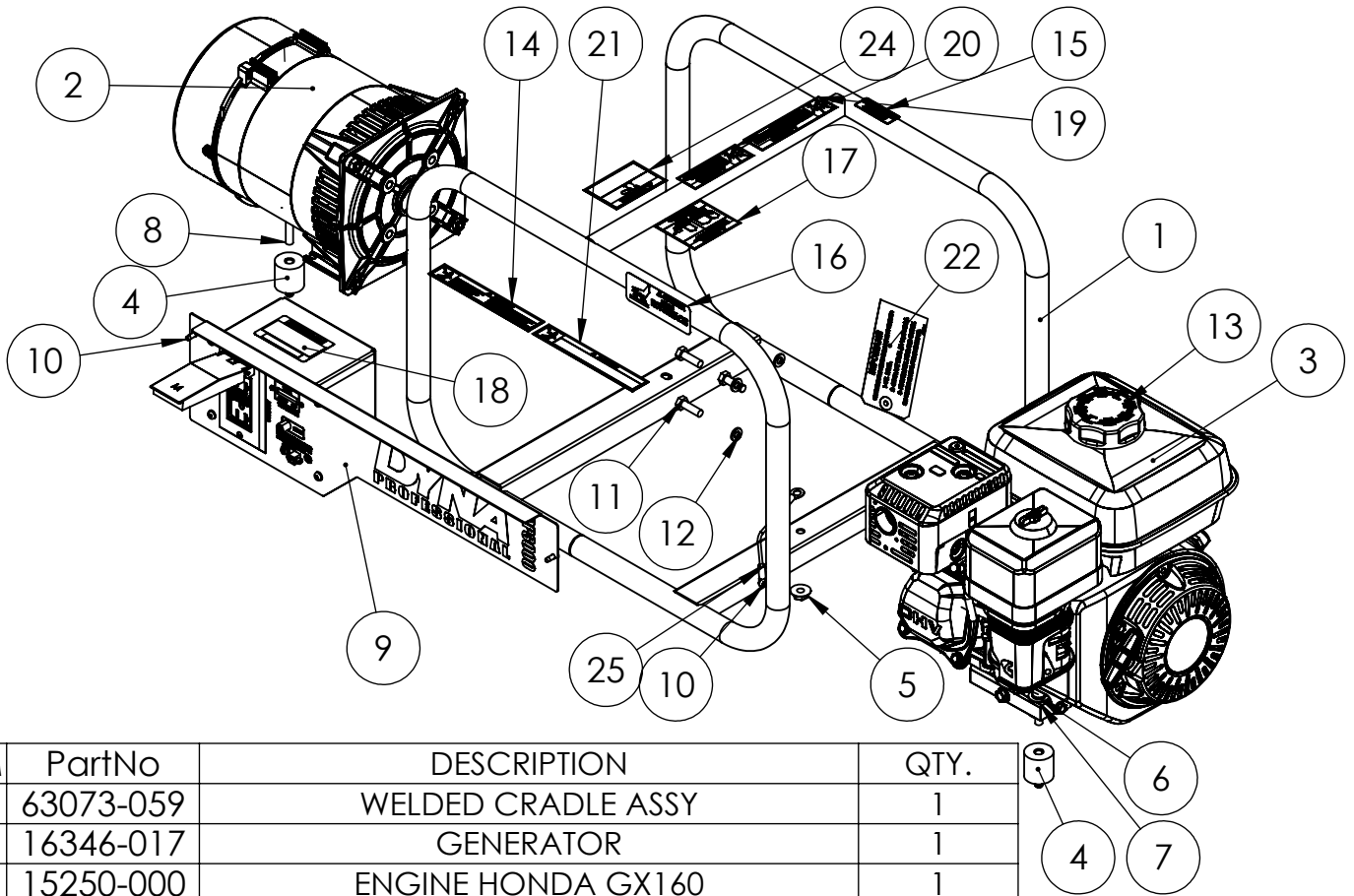


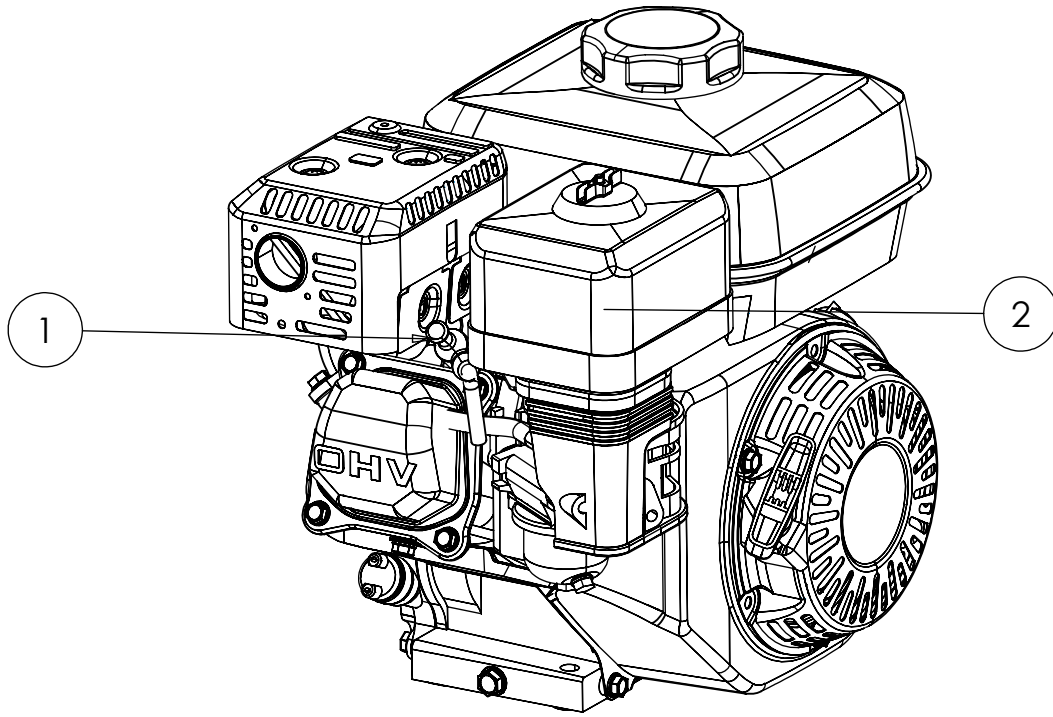
**WINCO Service**  
Phone: 507-357-6831  
Email: [service@wincogen.com](mailto:service@wincogen.com)  
[www.wincogen.com](http://www.wincogen.com)

# GENERAL ASSEMBLY



ITEM	PartNo	DESCRIPTION	QTY.
1	63073-059	WELDED CRADLE ASSY	1
2	16346-017	GENERATOR	1
3	15250-000	ENGINE HONDA GX160	1
4	64062-000	SHOCKMOUNT, BLACK 40 DURO	3
5	16249-000	.3125-18 FLANGE NUT	3
6	468-000	.3125-18X1.5 HHCS	2
7	526-000	5/16 FLAT WASHER	2
8	580-000	5/16-18X1.25	1
9	15458-071	RECEPTACLE PANEL DP3000	1
10	21698-001	TORX PAN HEAD SCREW #10	4
11	91547-000	.3125-24 X 1.000 HHCS	4
12	480-000	5/16 SPLIT LOCKWASHER	6
13	15209-013	DECAL - FUEL TYPE GASOLINE	1
14	15209-003	UL-DECAL ELECTRICAL SHOCK CAN KILL	1
15	15209-014	DECAL - CHECK OIL	1
16	63941-001	DECAL -HOT SURFACES	1
17	64918-000	DECAL-DANGER (CO) USE OUTSIDE	1
18	63966-004	NAMEPLATE, WINCO PORTABLE	1
19	15209-001	GASOLINE DECAL	1
20	15209-101	DECAL, GASOLINE DANGER, FRENCH	1
21	15209-103	UL-DECAL ELECTRICAL SHOCK CAN KILL	1
22	60710-097	TAG OIL WARNING	1
23	96286-002	FLAT WASHER NYLON	3
24	15209-102	DECAL-DANGER CARBON MONOXIDE	1
25	9769-145	LEAD WIRE ASSEMBLY	1
26	82539-001	SELF TAP.SC.6X3/8	1

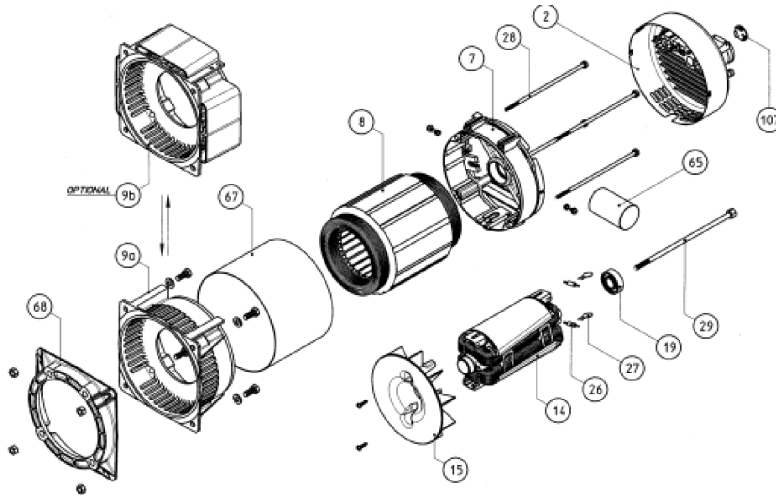
# ENGINE



ITEM	PART	DESCRIPTION	QTY
1	1-109	Spark Plug	1
2	1-110	Air Filter - Including pre-filter	1



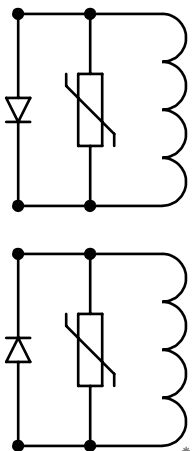
# GENERATOR END



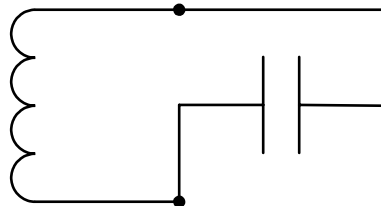
ITEM	PART	DESCRIPTION	QTY
-	16346-017	COMPLETE S16W-75 GEN	1
65	16346-801	CAPACITOR, 12.5MFD	1
26	16346-106	VARISTOR	2
27	16346-105	DIODE	2
19	55223-000	REAR BEARING	1
107	9-100	PLASTIC HOLE PLUG	1
-	16346-010	LOAD PLUG	1
-	16346-011	LOAD PLUG PINS	4

S16W-75 EXPECTED RESISTANCE ( $\Omega$ )		
Rotor	Stator	Excitation
2.62	0.97	5.46

Field Winding



Excitation Winding



Power Winding

