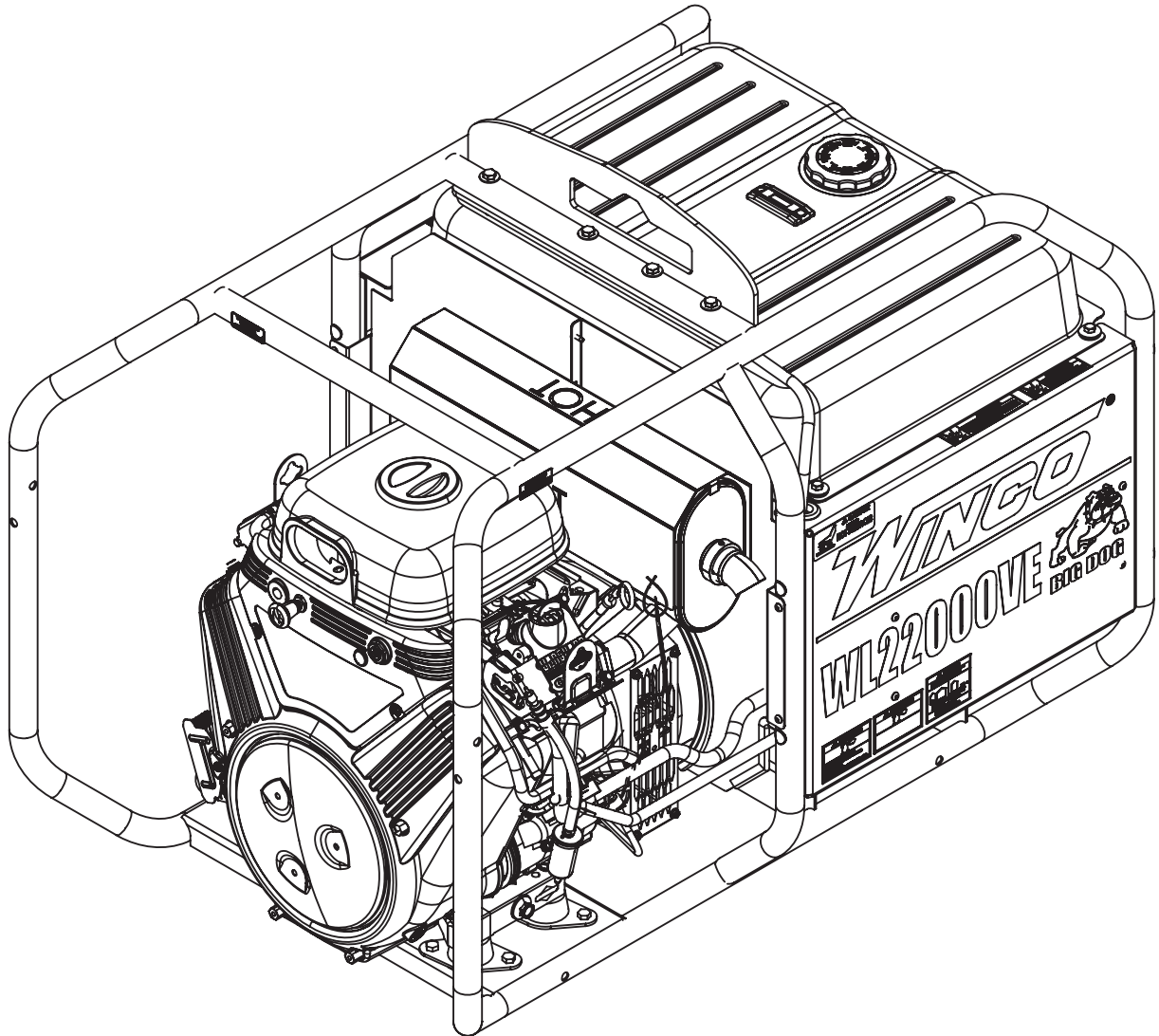


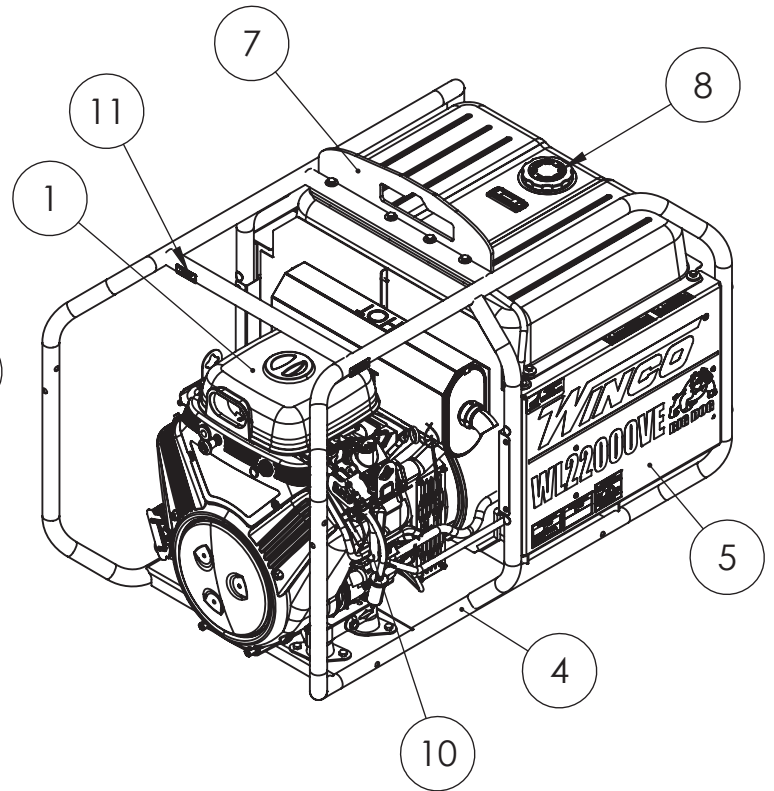
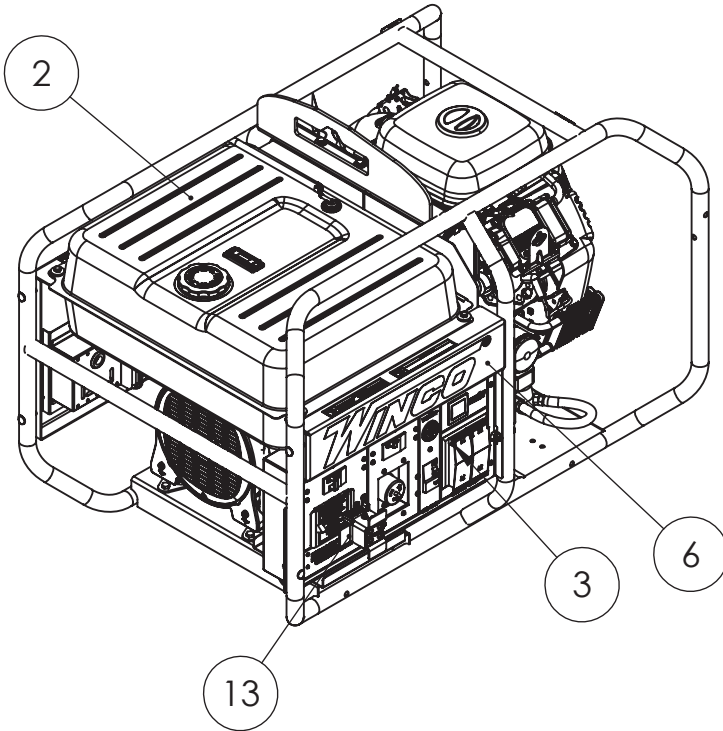


WL22000VE-03/C Parts List



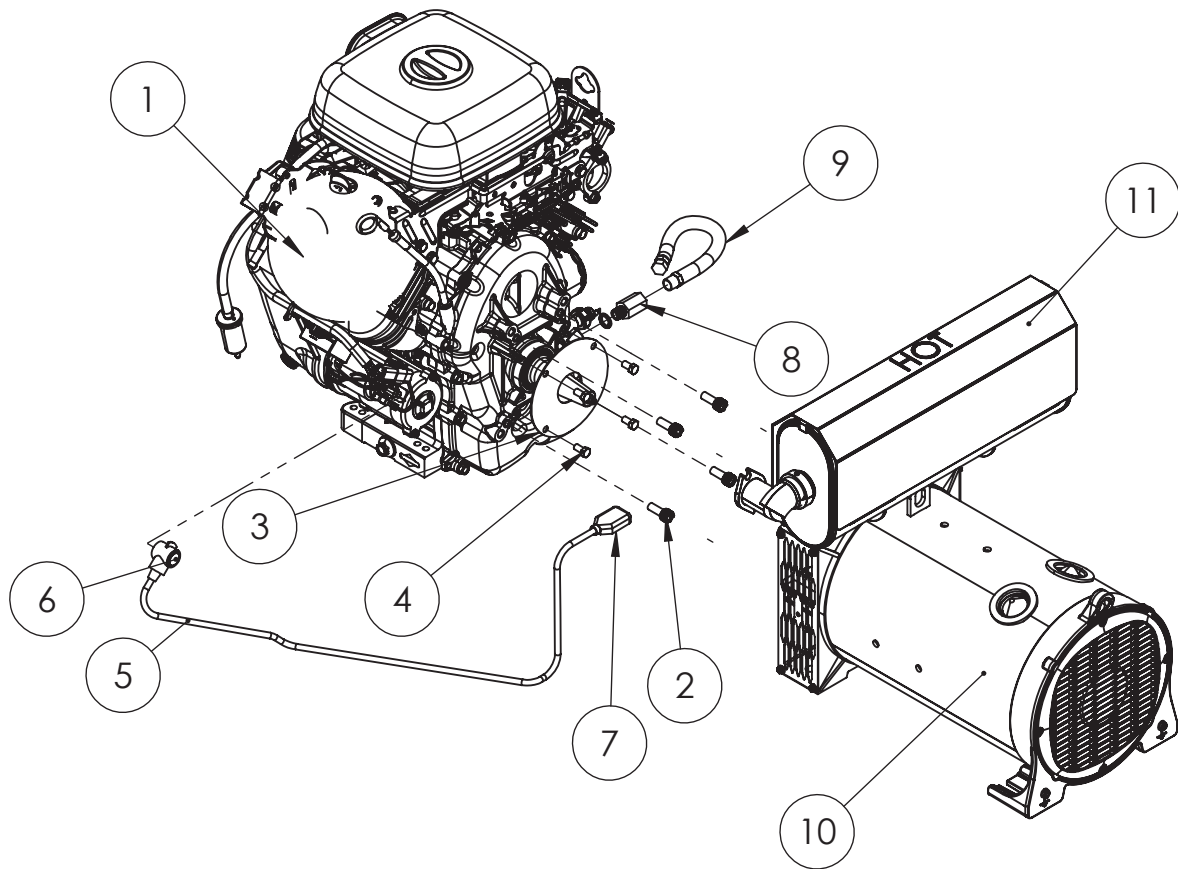
WINCO Service
Phone: 507-357-6831
Email: service@wincogen.com
www.wincogen.com

General Assembly



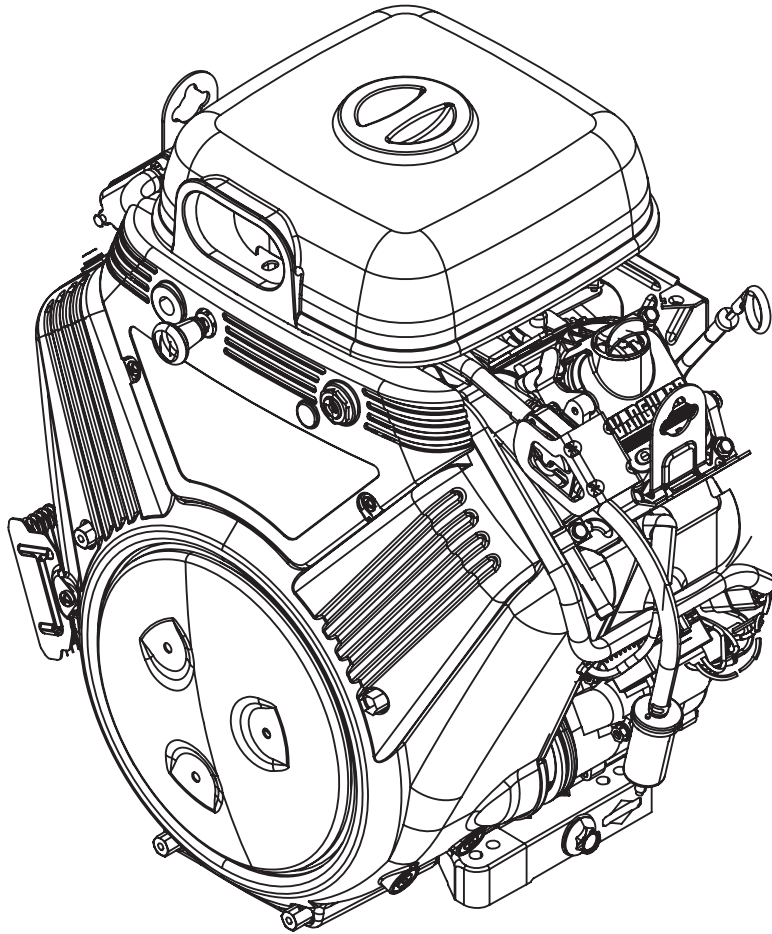
ITEM NO.	PART NUMBER	DESCRIPTION	QTY.
1	18000-075	ENGINE_GEN ASSEMBLY WL22000	1
2	15163-107	FUEL SYSTEM ASSEMBLY	1
3	15457-111	RECEPTACLE PANEL ASSEMBLY	1
4	18000-213	HARDWARE KIT WL22000	1
5	300216-49	LEFT SIDE PANEL ASSEMBLY	1
6	300217-40	RIGHT SIDE PANEL	1
7	300144-20	LIFTING EYE ASSEMBLY	1
8	15715-108	KIT DECALS	1
9	15715-097	DECAL KIT, PACKAGING, BIG DOG STYLE, NO STACK	1
10	62999-005	HOSE CLAMP .41 OD GREEN	1
11	16200-511	MAINTENANCE KIT DECAL	1
12	94442-002	NUT HEX M6-1.0	4
13	91861-007	PLUG KIT	1
14	300515-30	5W-30 OIL PER GALLON	0.625

Engine And Generator Assembly



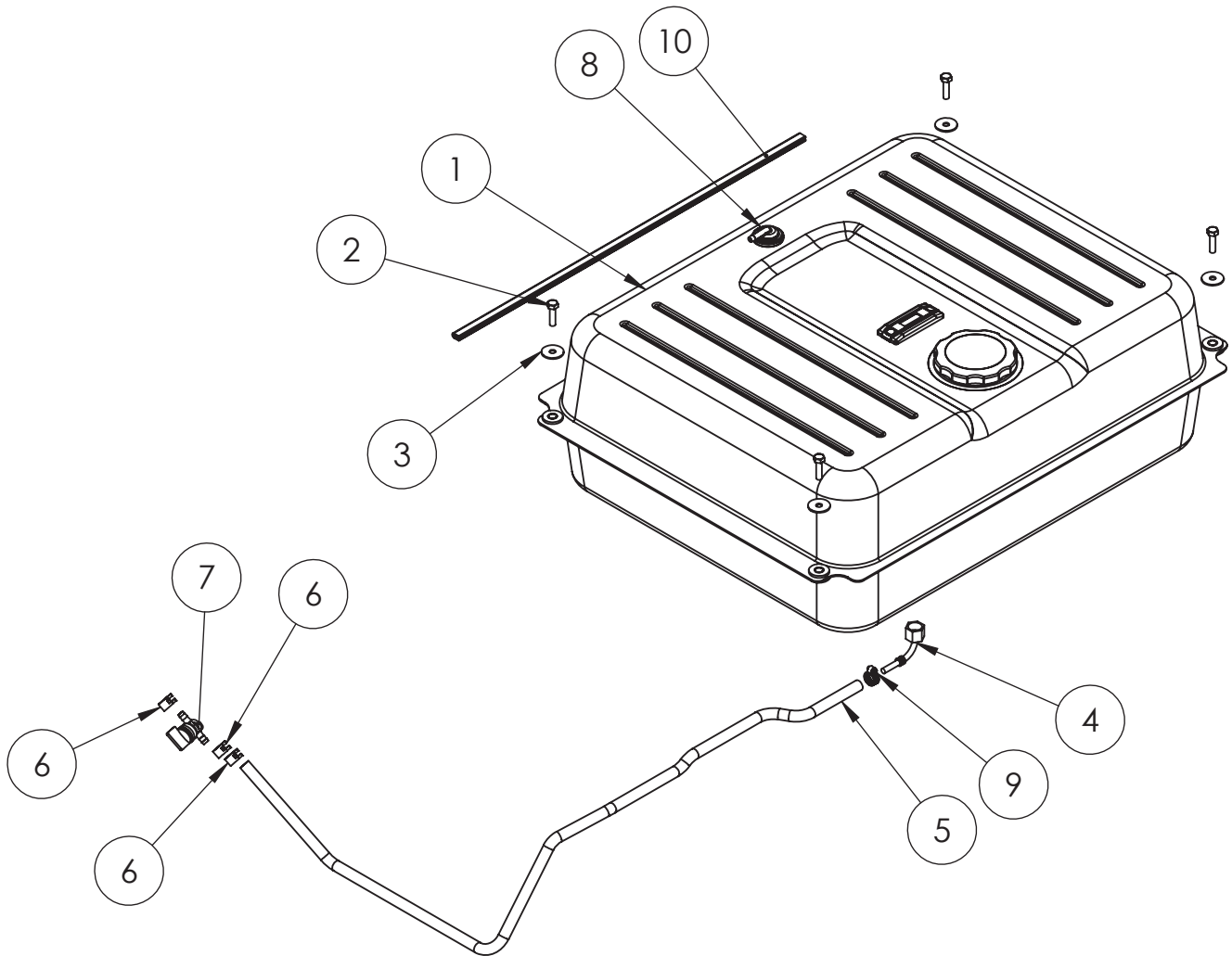
ITEM NO.	PART NUMBER	DESCRIPTION	QTY.
1	16420-001	BRIGGS AND STRATTON 993CC 35HP ENGINE	1
2	93704-000	SOC.HCS 3/8-16X1	4
3	15144-014	ENGINE Baffle	1
4	57199-000	HHCS 5/16-24X5/8	4
5	22097-010	BATTERY CABLE POSITIVE 43IN UL	1
6	16145-000	TERMINAL INSULATOR	1
7	95901-002	(BATTERY TERMINAL BOOT - RED 2-1AWG)	1
8	300349-1	OIL DRAIN ADAPTER	1
9	93079-003	OIL DRAIN HOSE 14 INCH .375NPT	1
10	16346-043	GEN END, AME3C L2_2	1
11	350590-20	MUFFLER, CRITICAL GRADE	1
12	48602-003	TERMINAL FEMALE 16-14 AWG .250 TAB	1
13	48602-011	TERM MALE 12-10AWG .250X.032	1
14	96187-001	OIL DRAIN GASKET M14 ID	1

Engine



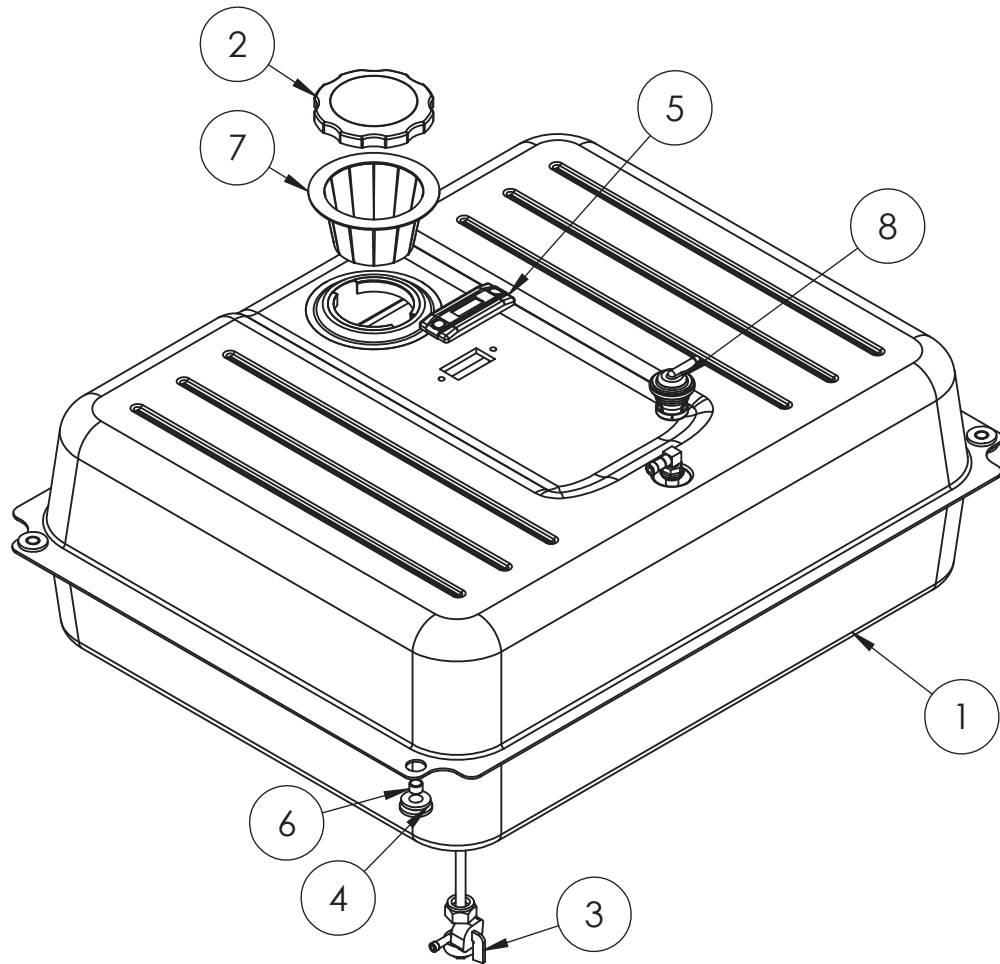
ITEM NO.	PART NUMBER	DESCRIPTION	QTY
1	2-103	AIR FILTER	1
2	2-104	PRE-FILTER	1
3	2-105	OIL FILTER	1
4	2-106	FUEL FILTER	1
5	2-109	SPARK PLUG	2
6	300515-31	ENGINE OIL, PER QUART	3
ALL ITEMS LISTED IN THE ABOVE TABLE ARE INCLUDED WITH A 16200-011 MAINTENANCE KIT PURCHASE			
7	2-121	STARTER MOTOR	1
8	1-120	STARTER SOLENOID	1
9	2-115	RECTIFIER REGULATOR	1
10	2-114	FUEL PUMP	1
11	2-102	EXHAUST MANIFOLD GASKET	2
Contact WINCO service or your Briggs and Stratton dealer for full engine part support.			

Fuel System



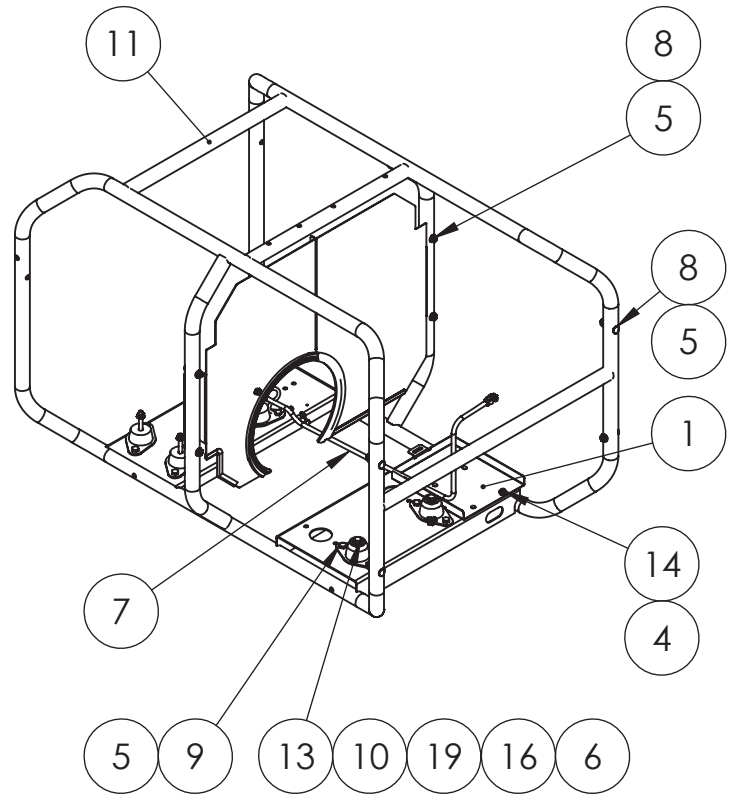
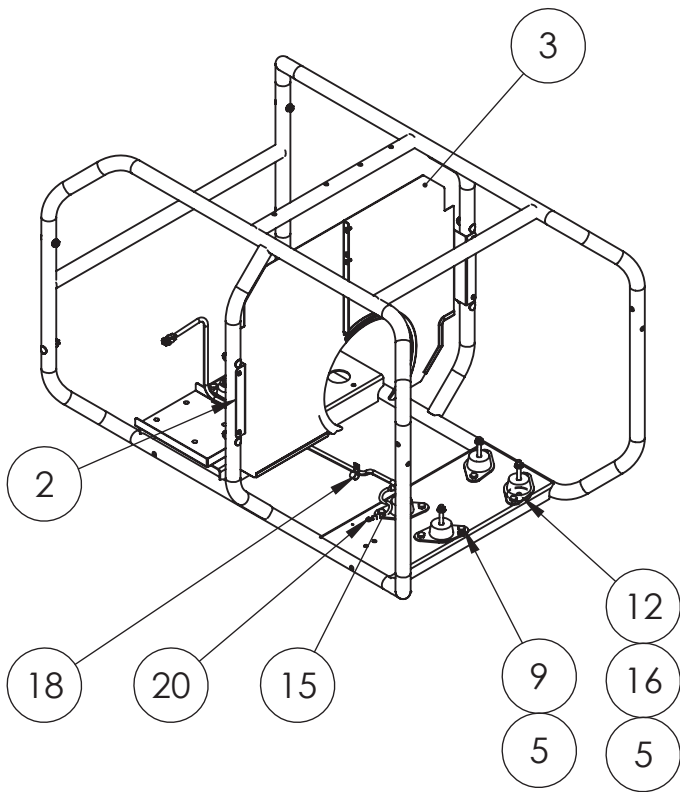
ITEM NO.	PART NUMBER	DESCRIPTION	QTY.
1	64024-014	FUEL TANK 15 GAL STEEL	1
2	439-000	.25-20 X 1 HHB	4
3	267-002	FLAT WSH 9/32X1X.063	4
4	64024-101	90 DEGREE FUEL TANK ELBOW	1
5	40078-030	1/4IN ID HOSE 35.5IN	1
6	62999-001	HOSE CLAMP .5 OD RED	3
7	98771-005	FUEL VALVE 1/4" HOSE BARB	1
8	80903-002	SLOSH VALVE 1/4" HOSE	1
9	81018-009	HOSE CLAMP .625-.250	1
10	58684-031	EDGE TRIM 22"	1

Fuel Tank



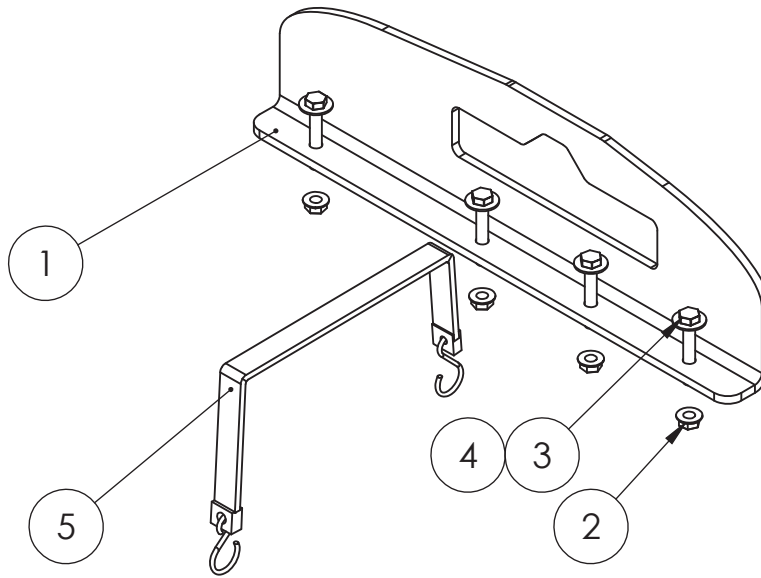
ITEM NO.	PART NUMBER	DESCRIPTION	QTY.
1	64024-014	FUEL TANK 15 GAL STEEL GASOLINE	1
2	64024-401	FUEL CAP, SEALED, AUDIBLE, TETHERED	1
3	64024-404	168B FUEL CONTROL VALVE	1
4	64024-406	RUBBER BUSHING	4
5	64024-407	FUEL LEVEL GAUGE, 180MM	1
6	64024-405	ANTI-CRUSH INSERT	4
7	64024-403	FUEL FILTER	1
ALL ITEMS LISTED IN THE TABLE ABOVE ARE INCLUDED WITH A 64024-14 FUEL TANK PURCHASE			
8	80903-002	SLOSH VALVE 1/4" HOSE	1
9	61273-262	TOUCH UP PAINT, BLACK 3048	1
11	LD-FV009	90 DEGREE ELBOW	1

Cradle & Hardware



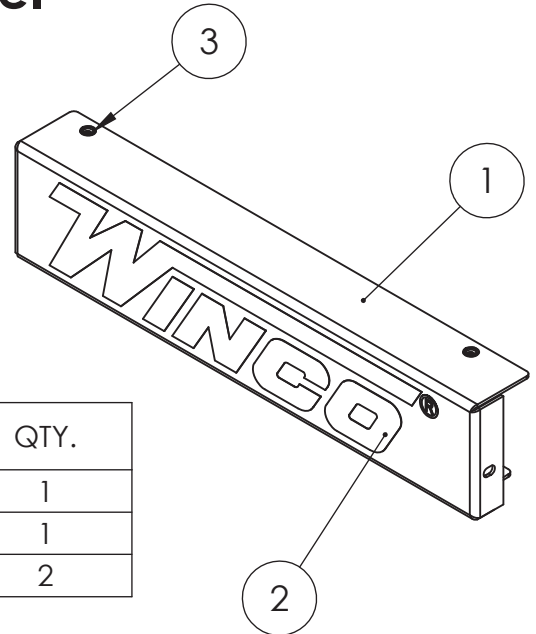
ITEM NO.	PART NUMBER	DESCRIPTION	QTY.
1	15676-027	BATTERY TRAY WL22000	1
2	15687-080	HEAT SHIELD RIGHT WL22000	1
3	15687-081	HEAT SHIELD LEFT WL22000	1
4	16248-000	.25-20 FLANGE NUT	4
5	16249-000	.3125-18 FLANGE	24
6	16250-000	.375-16 FLANGE NUT	2
7	22097-012	BATTERY CABLE NEGATIVE 32IN UL	1
8	23590-002	CURVED HEAD BOLT 5/16-18 X 1 3/4	8
9	467-000	.3125-18X.75 HHB	12
10	526-000	5/16 FLAT WASHER	2
11	63073-064	WL22000 WELDED CRADLE	1
12	91107-000	5/16-18 X 3.5	4
13	91658-008	HHCS 3/8-16X2-3/4 GR5	2
14	94980-001	THREAD STUD .25-20X.625	4
15	9769-145	LEAD WIRE ASSEMBLY	1
16	98806-000	WASHER .406 X 2	6
17	98807-000	SHOCKMOUNT 40 DURO	6
18	97391-007	TUBE CLAMP/CUSH.WIRE 1/2	1
19	21867-000	FLAT WASHER	2
20	21698-001	TORX PAN HEAD SCREW #10	7

Lifting Eye Assembly



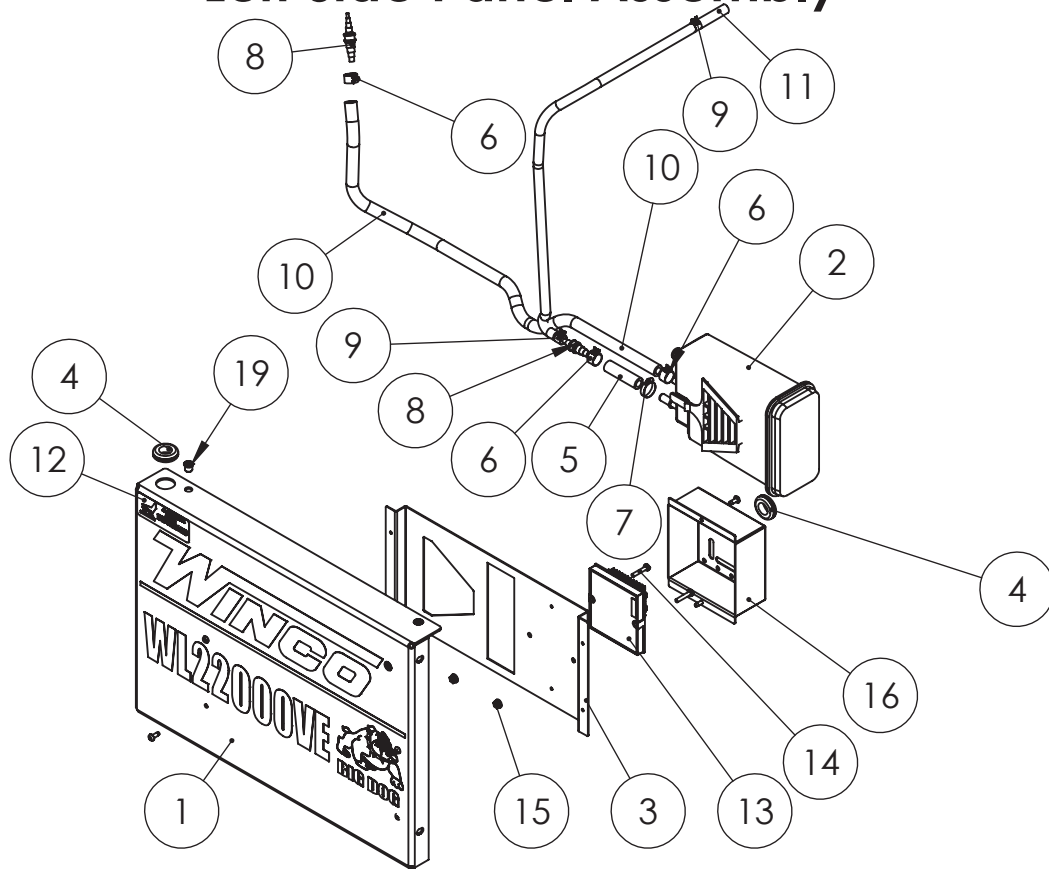
ITEM NO.	PART NUMBER	DESCRIPTION	QTY.
1	300148-25	LIFTING EYE	1
2	16249-000	.3125-18 FLANGE	4
3	91672-009	HHCS 5/16-18 X 2	4
4	526-000	FLAT WASHER 5/16_3/8	4
5	16329-001	RUBBER STRAP, BATTERY HOLD DOWN	1

Right Side Panel



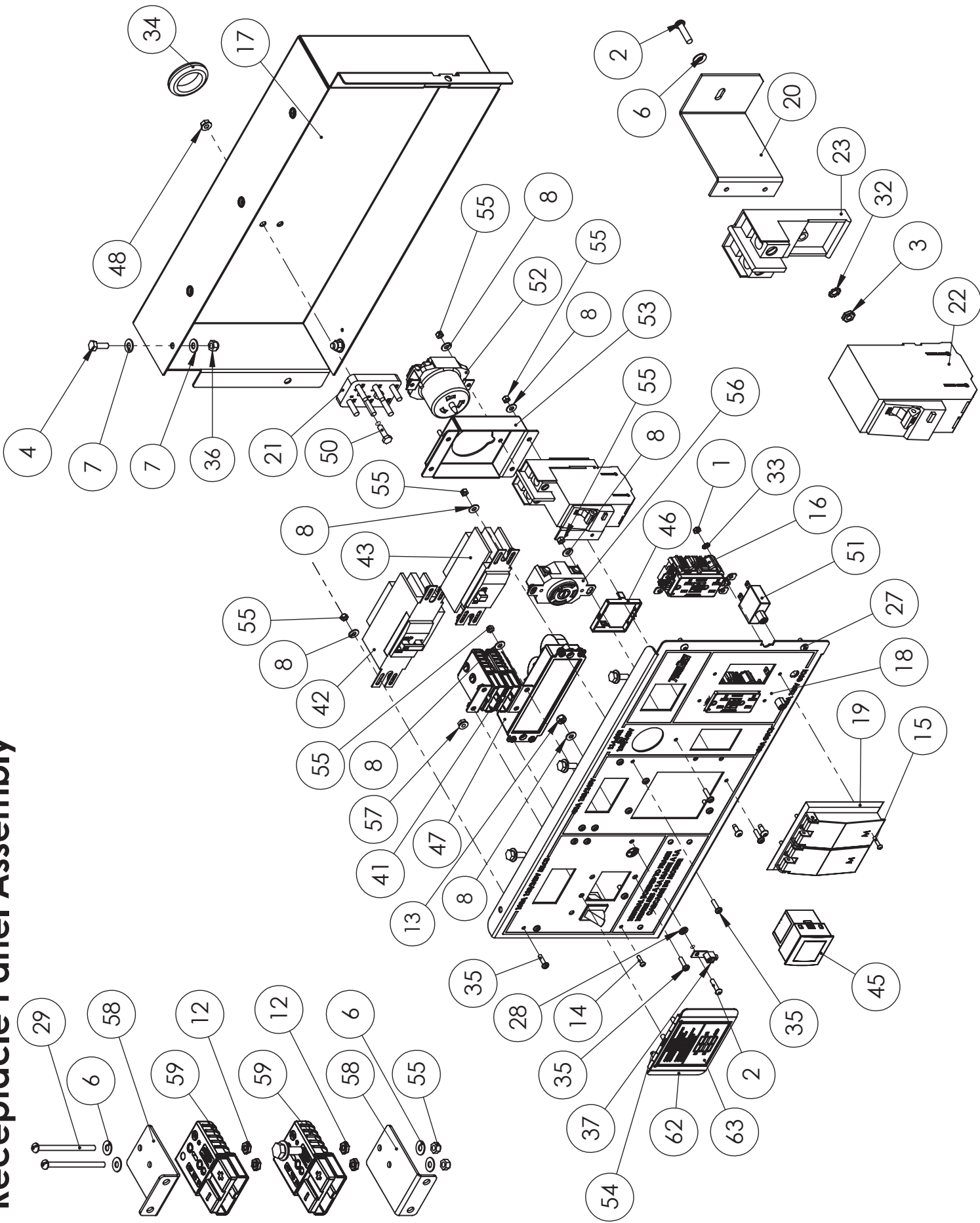
ITEM NO.	PART NUMBER	DESCRIPTION	QTY.
1	300217-40	RIGHT SIDE PANEL	1
2	97993-013	WINCO DECAL	1
3	352125-1	1/4-20 RIVET NUT 22 GA-10GA	2

Left Side Panel Assembly



ITEM NO.	PART NUMBER	DESCRIPTION	QTY.
1	300216-48	LEFT SIDE PANEL	1
2	80900-000	15 GAL. CARBON CANISTER	1
3	81900-008	CARBON CANISTER MOUNTING BRACKET	1
4	23917-000	GROMMET .6875 X 1	2
5	55505-023	HOSE .375 ID RUBBER 2.25IN	1
6	62999-004	HOSE CLAMP .69 OD	3
7	81018-008	HOSE CLAMP .875-.25	1
8	98590-003	HOSE REDUCER 1/8-5/16 X 1/4-7/16	2
9	62999-001	HOSE CLAMP .5 OD RED	2
10	55505-027	3/8" ID HOSE 25"	1
11	40078-018	1/4" ID HOSE 26IN	1
12	63941-001	DECAL - HOT SURFACES	1
13	16428-411	VOLTAGE REGULATOR SR7 AVR	1
14	9362-000	RHMS 10-24 X 1	2
15	99671-000	#10-24 HEX NUT	2
16	15224-100	AVR BOX WL22000	1
17	48602-003	TERMINAL FEMALE 16-14 AWG .250 TAB	6
18	48602-004	TERMINAL MALE 16-14 AWG .250 TAB	6
19	352125-1	1/4-20 RIVET NUT 22 GA-10GA	2
20	21698-001	TORX PAN HEAD SCREW #10	6

Receptacle Panel Assembly



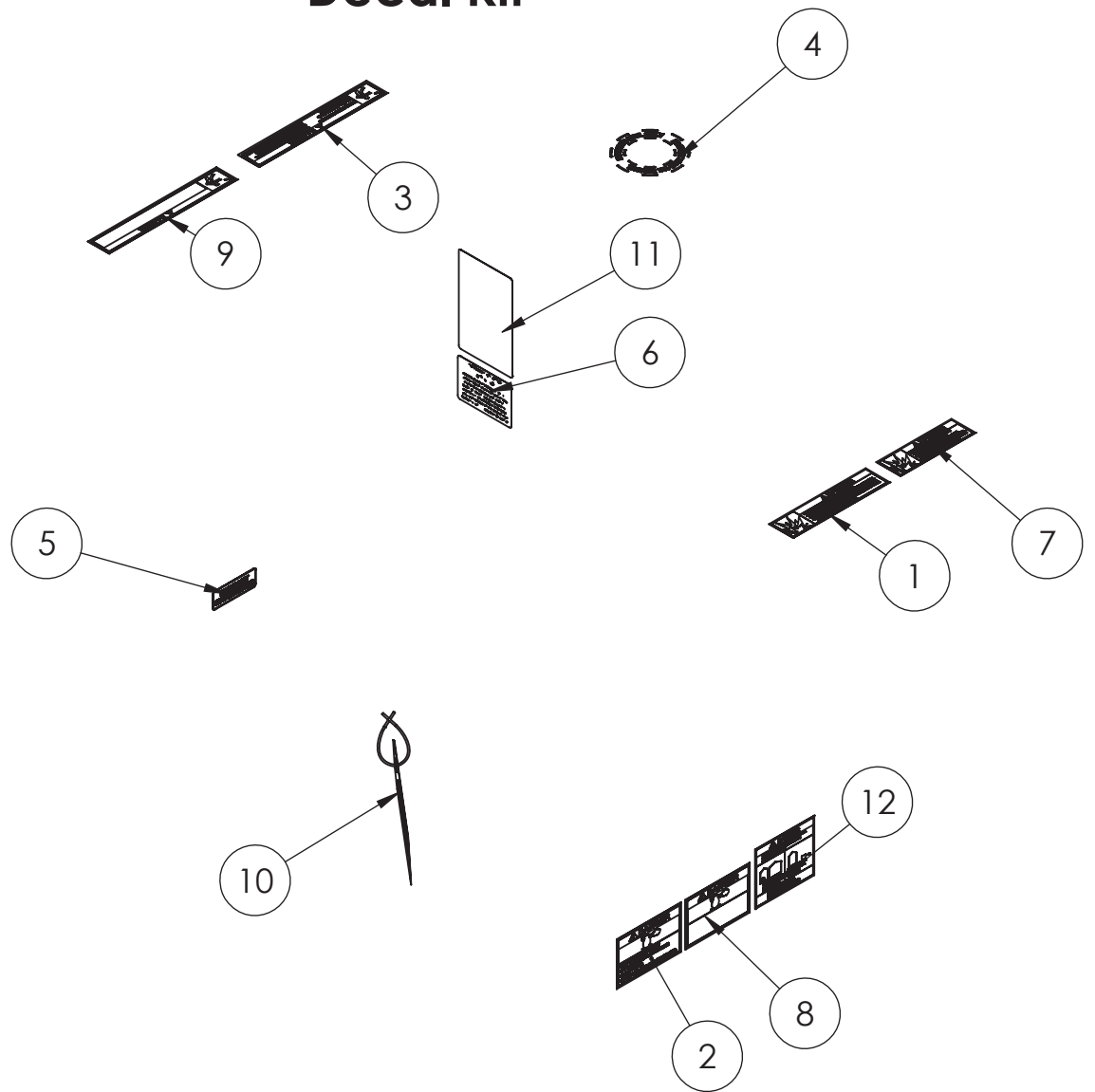
Receptacle Panel Assembly Continued

ITEM NO.	PART NUMBER	DESCRIPTION	QTY.
1	394-000	NUT HEX #6-32	4
2	420-001	BZ RHMS 10-24X3/4 PHILLIPS	2
3	456-000	10-24 HEX NUT	1
4	466-000	.25-20X.75 HHB	5
5	479-000	LOCK WASHER, .25" SPLIT	3
6	511-000	#8 FLATWASHER	5
7	512-000	.25 WASHER	7
8	598-000	#10 WASHER	19
9	4156-000	TERMINAL RING 12-10 #10 STUD	6
10	4158-000	TERMINAL RING 16-14 AWG #10	3
11	4160-000	TERMINAL, RING, 16-14AWG, 1/4 STUD	2
12	5113-000	NUT HEX # 8	4
13	5315-000	NUT HEX 10-24 NYLON	1
14	7792-001	BZ RHMS 6-32X.5	4
15	7792-000	RHMS 6-32 X .625	4
16	15147-003	RECEPTACLE NEMA 5-20R GFCI DUPLEX	2
17	15221-067	RECEPTACLE BOX	1
18	15458-111	RECEPTACLE PANEL	1
19	15620-007	GFCI COVER 5-20R 2 GANG MULBERRY	1
20	16319-000	C.B. MOUNTING BRACKET	1
21	16346-131	TERMINAL BLOCK	1
22	16488-000	CIR.BRK.30A-2PL-240V-GFCI	1
23	16489-001	2 POLE CIRCUIT BRK. TERM. BLOCK	1
24	20531-000	TERMINAL RING 12-10AWG 5/16 STUD	1
25	21114-000	TERMINAL, RING, 8AWG, #10 STUD	5
26	21437-000	TERMINAL, RING, 8AWG, 1/4" STUD	5
27	21698-001	TORX PAN HEAD SCREW #10	4
28	21975-000	#10 INT. TOOTH LOCKWASHER	1
29	21977-000	RHMS 8-32 X 2.25	2
30	22370-007	TERMINAL SPADE 16/14AWG #10STUD	4
31	22370-013	TERMINAL, SPADE, 12-10AWG, #10 STUD	2
32	22423-000	LOCKWASHER #10	1
33	22989-000	#6 LOCKWASHER	4
34	23917-005	GROMMET 1-5/16" ID	1
35	24198-001	BHMS #8-32 x .625 BLACK	18

Receptacle Panel Assembly Continued

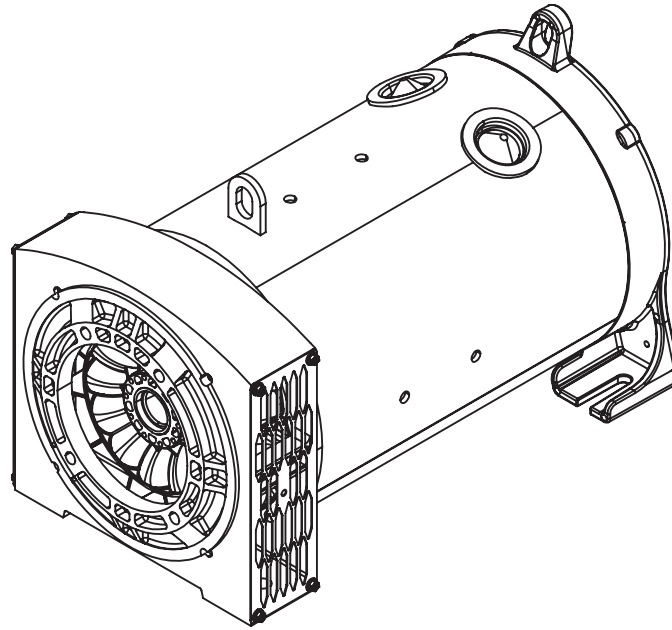
ITEM NO.	PART NUMBER	DESCRIPTION	QTY.
36	47517-000	.25-20 NYLOCK	2
37	48042-001	TERMINAL, GROUND LUG, 6-14AWG	1
38	48602-003	TERMINAL FEMALE 16-14 AWG .250 TAB	4
39	48602-023	TERMINAL FEMALE 22-18 AWG .187 TAB	1
40	48602-024	TERMINAL FEMALE 16-14AWG .187	1
41	51802-000	NUT HEX #6-32 NYLOCK	4
42	57030-021	CIR. BRK. 100A-2PL-240V	1
43	57030-000	CIR. BRK. 50A-2PL-240V	1
44	58165-18	DISPLAY MODULE CABLE	1
45	58166-009	DISPLAY MODULE	1
46	58166-009	DISPLAY MODULE MOUNTING CLIP	1
47	58166-010	TERMINAL BLOCK MODULE	1
48	64841-001	M6-1.0 FLANGE NUT ZINC	2
49	71444-004	SWITCH N.C.	1
50	75139-020	HHCS M6-1X20MM ZINC	2
51	91286-001	CIRCUIT BREAKER, 20A, 1 PL	2
52	91889-000	RECEPT 125/250V 50A	1
53	92072-010	50 AMP RECEPTACLE BRACKET	1
54	95568-000	THREAD STUD 10-24 X .625	3
55	95985-000	#8-32 NYLOK HEX NUT	20
56	97360-000	RECEPTACLE, NEMA L14-30R 120_240V	1
57	99671-000	#10-24 HEX NUT	3
58	300117-6	CONNECTOR SUPPORT	2
59	EE2326	HOUSING, GRAY, 2PL, 120A, 600V	2
60	EE23101	CONTACT, #2 AWG, 120A, 600V	4
61	EE23309	BUSHING, #2 AWG TO #8 AWG	4
62	G72138	COVER	1
63	Z25272	DECAL, LOAD CONNECTIONS - 1PH 4 CAVITY	1

Decal Kit



ITEM NO.	PART NUMBER	DESCRIPTION	QTY.
1	15209-001	GASOLINE DECAL	1
2	15209-002	DECAL - DANGER CARBON MONOXIDE	1
3	15209-003	UL-DECAL ELECTRICAL SHOCK CAN KILL	1
4	15209-013	DECAL - FUEL TYPE GASOLINE	1
5	15209-014	DECAL - CHECK OIL	1
6	15209-036	PROP 65 WARNING DECAL	1
7	15209-101	DECAL, GASOLINE DANGER, FRENCH	1
8	15209-102	DECAL - DANGER CARBON MONOXIDE	1
9	15209-103	UL-DECAL ELECTRICAL SHOCK CAN KILL	1
10	60710-018	OIL WARNING TAG	1
11	63966-004	NAMEPLATE, WINCO PORTABLE	1
12	64918-000	DECAL-DANGER (CO) USE OUTSIDE	1

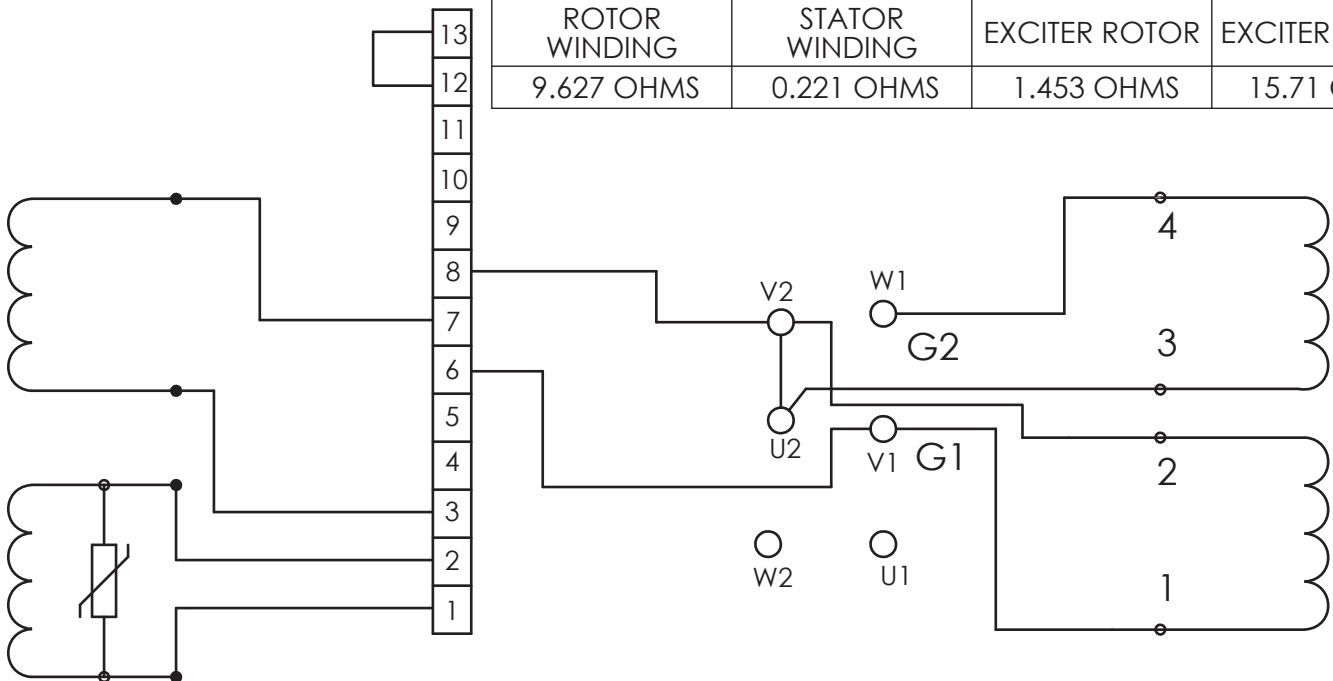
Generator Information



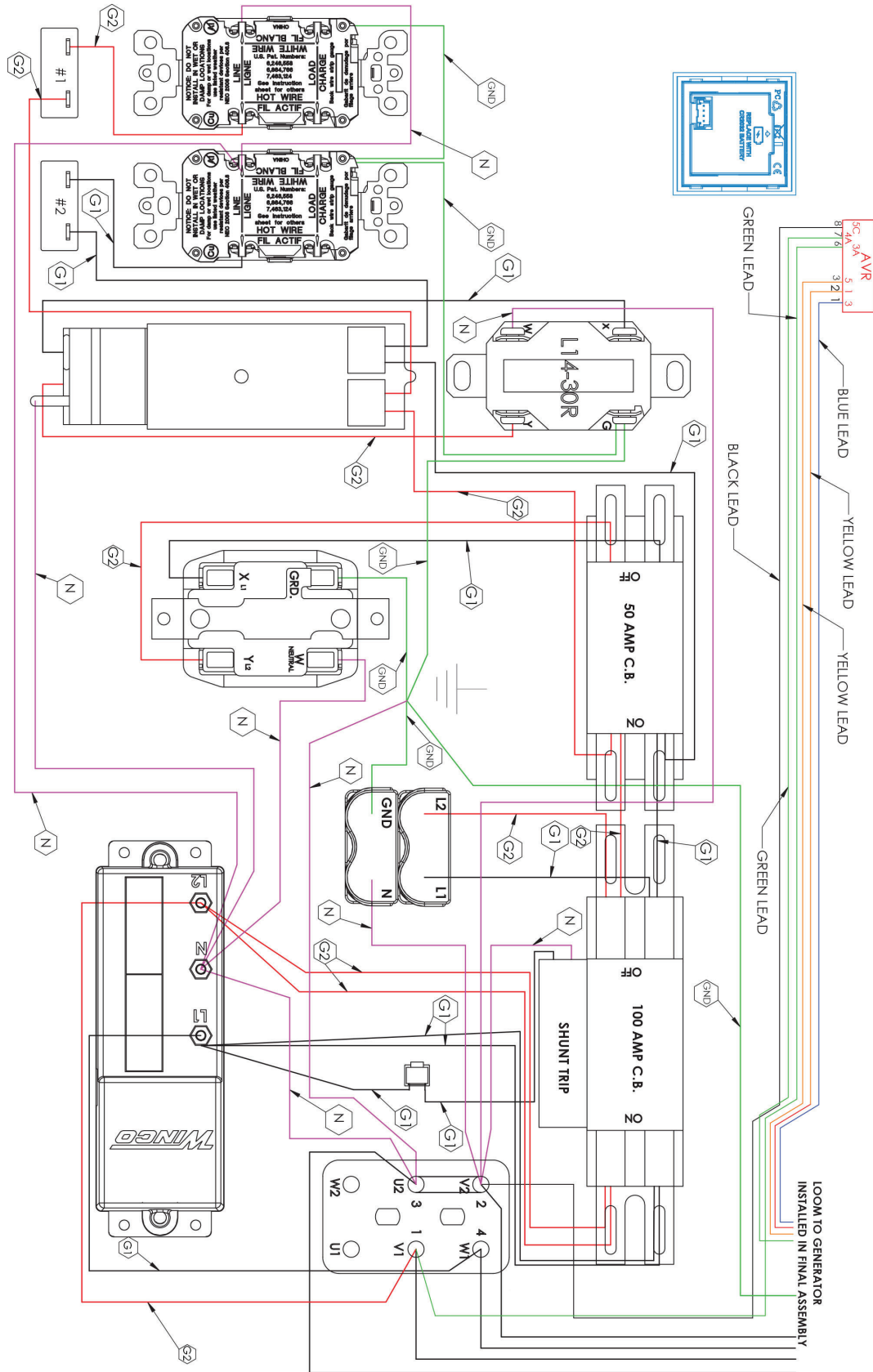
ITEM NO.	PART NUMBER	DESCRIPTION	QTY
1	16346-031	COMPLETE GEN END ASSEMBLY	1
2	54665-005	REAR BEARING 6305 2RS	1
3	16346-231	CABLE GROMMET	2
4	16428-412	VOLTAGE REGULATOR	1

Individual parts not listed here may be obtained from www.meccalte.com. WINCO Inc sells the complete generator end or the individual parts listed above.

EXPECTED RESISTANCE (Ω)			
ROTOR WINDING	STATOR WINDING	EXCITER ROTOR	EXCITER STATOR
9.627 OHMS	0.221 OHMS	1.453 OHMS	15.71 OHMS



Receptacle Panel Wiring Diagram



Engine Wiring Diagram

Typical Regulated Wiring Diagram

