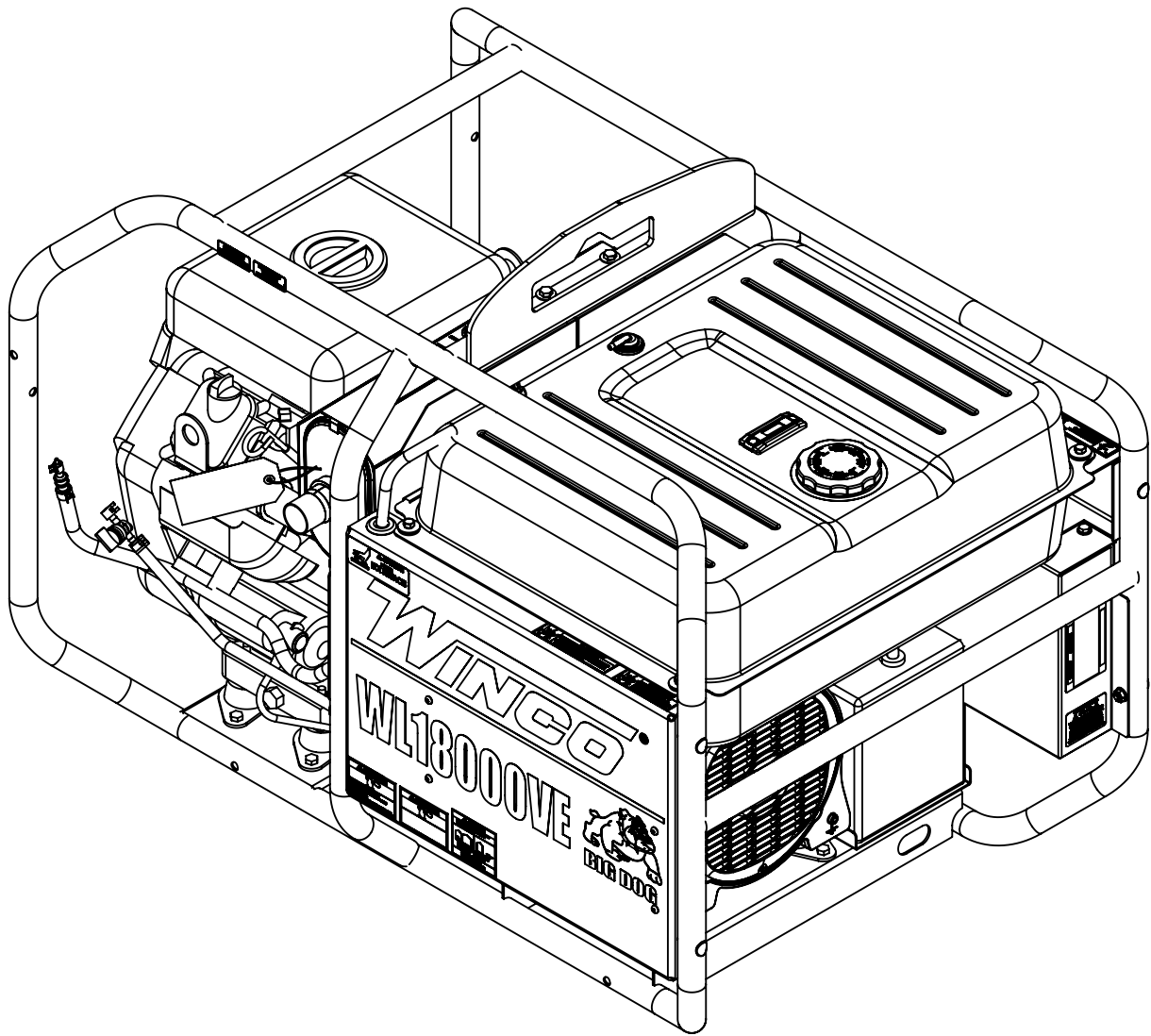


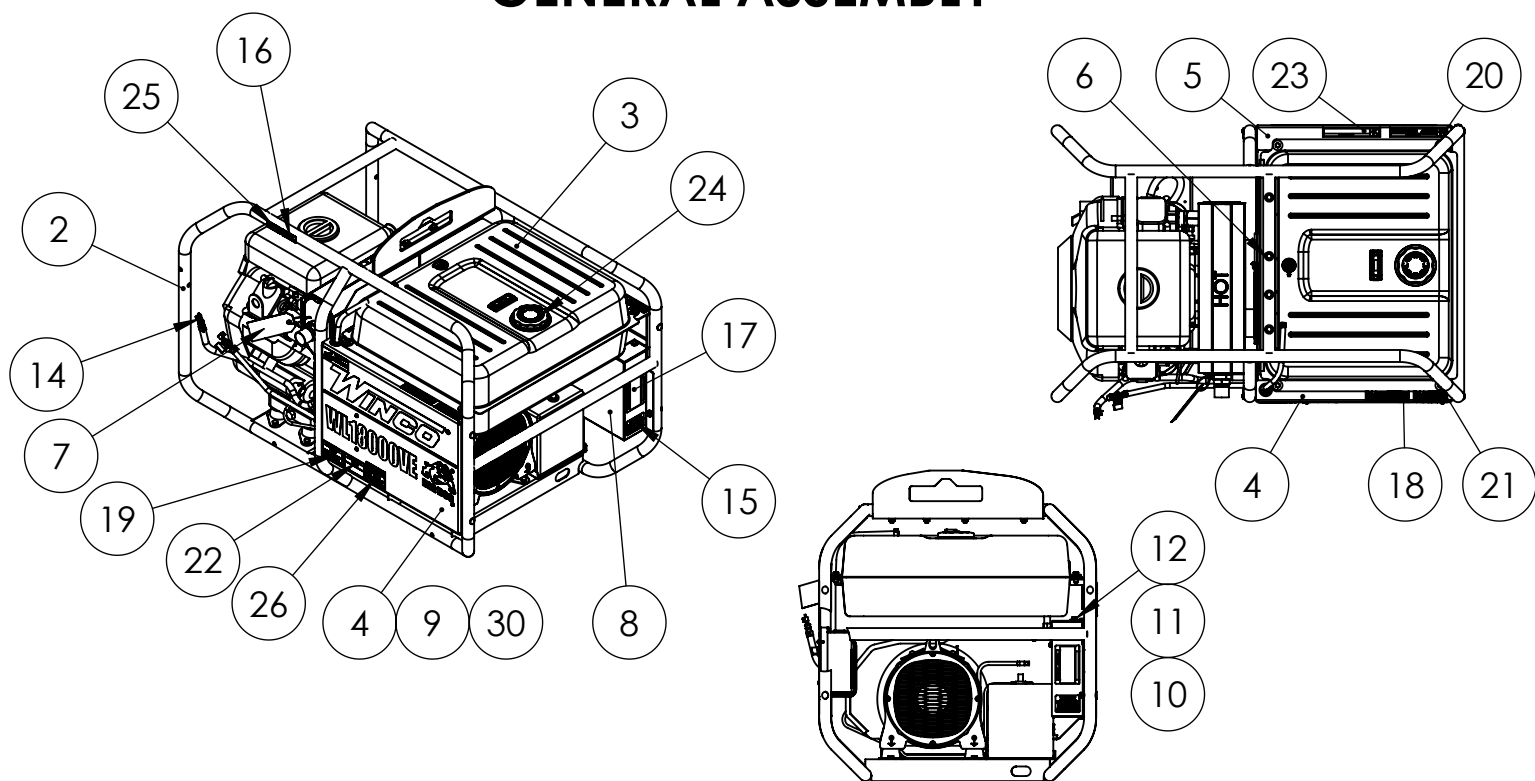
# WINCO<sup>®</sup>

## WL18000VE-03/D Parts List



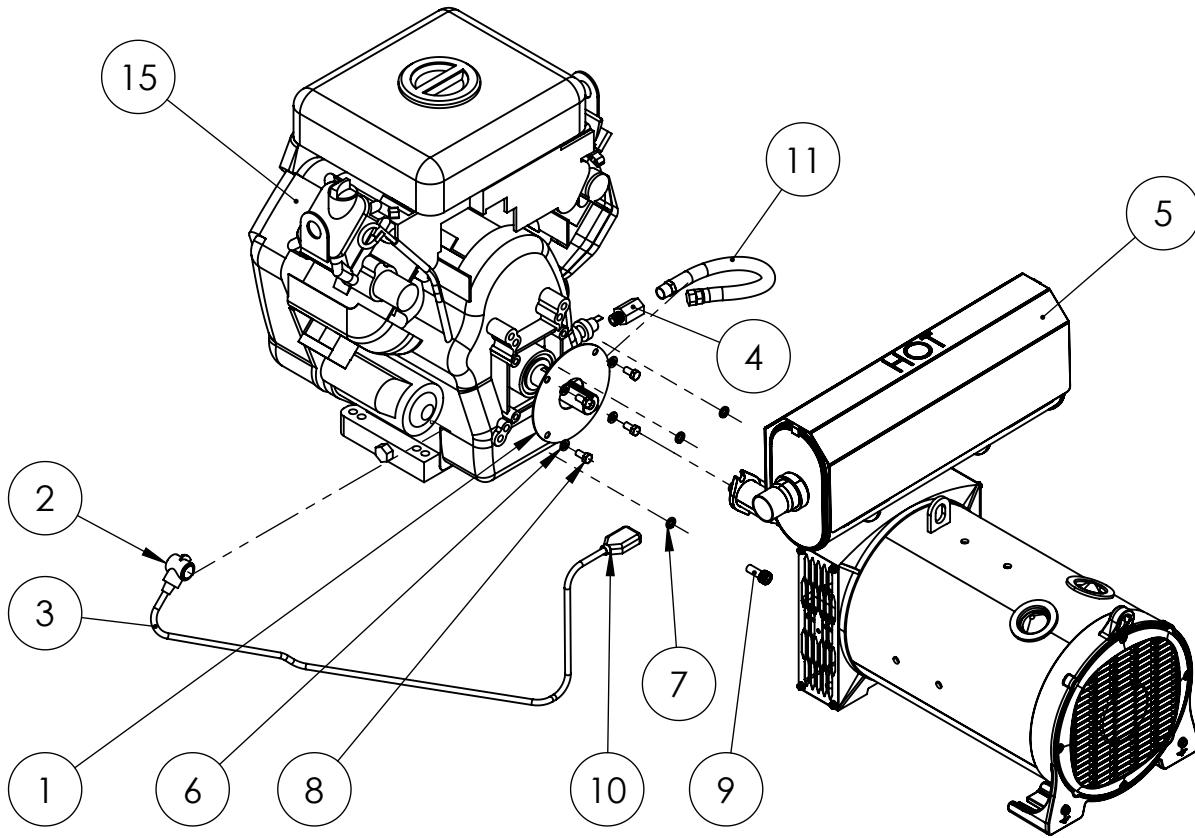
**WINCO Service**  
Phone: 507-357-6831  
Email: [service@wincogen.com](mailto:service@wincogen.com)  
[www.wincogen.com](http://www.wincogen.com)

# GENERAL ASSEMBLY



ITEM NO.	PART NUMBER	DESCRIPTION	QTY.
1	18000-074	GENERATOR ASSEMBLY WL18000	1
2	18000-213	HARDWARE KIT WL22000	1
3	15163-107	FUEL SYSTEM ASSEMBLY	1
4	300216-47	LEFT SIDE PANEL ASSEMBLY	1
5	300217-40	RIGHT SIDE PANEL	1
6	300144-26	LIFTING EYE ASSEMBLY WL22000	1
7	60710-018	OIL WARNING TAG	1
8	15457-107	RECEPTACLE PANEL ASSEMBLY	1
9	96286-002	FLAT WASHER NYLON	2
10	512-000	.25 WASHER	3
11	479-000	LOCK WASHER, .25" SPLIT	3
12	466-000	.25-20X.75 HHB	3
13	94442-002	NUT HEX M6-1.0	4
14	62999-005	HOSE CLAMP .41 OD GREEN	1
15	15209-036	PROP 65 WARNING DECAL	1
16	16200-511	MAINTENANCE KIT DECAL	1
17	63966-004	NAMEPLATE, WINCO PORTABLE	1
18	15209-001	GASOLINE DECAL	1
19	15209-002	DECAL - DANGER CARBON MONOXIDE	1
20	15209-003	UL-DECAL ELECTRICAL SHOCK CAN KILL	1
21	15209-101	DECAL, GASOLINE DANGER, FRENCH	1
22	15209-102	DECAL - DANGER CARBON MONOXIDE	1
23	15209-103	UL-DECAL ELECTRICAL SHOCK CAN KILL	1
24	15209-013	DECAL - FUEL TYPE GASOLINE	1
25	15209-014	DECAL - CHECK OIL	1
26	64918-000	DECAL-DANGER (CO) USE OUTSIDE	1
30	21698-001	TORX PAN HEAD SCREW #10	2

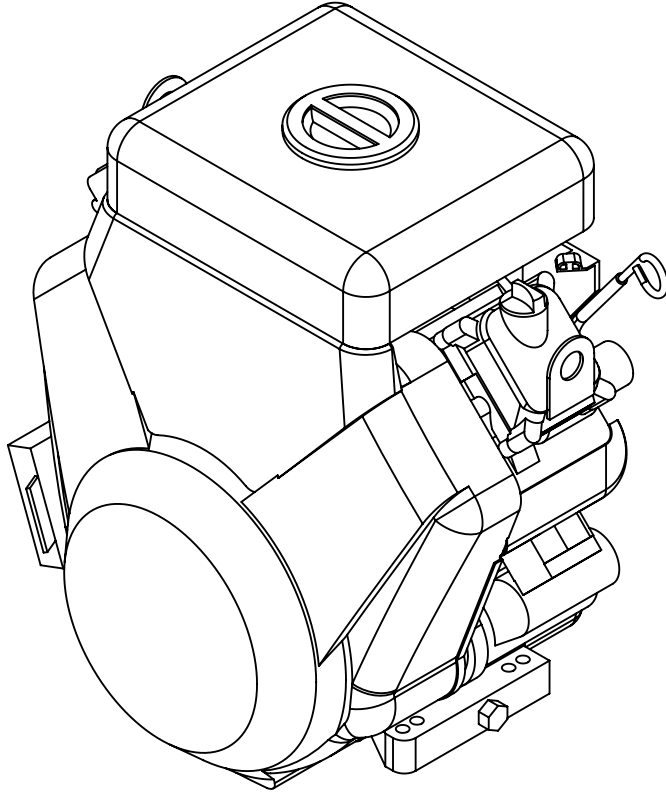
# ENGINE AND GENERATOR ASSEMBLY



NOTE: TERMINALS NOT SHOWN

ITEM NO.	PART NUMBER	DESCRIPTION	QTY.
1	15144-014	ENGINE BAFFLE	1
2	16145-000	TERMINAL INSULATOR	1
3	22097-010	BATTERY CABLE POSITIVE 43IN UL	1
4	300349-1	OIL DRAIN ADAPTER	1
5	350590-20	MUFFLER, CRITICAL GRADE	1
6	480-000	5/16 SPLIT LOCKWASHER	4
7	481-000	LOCK 3/8 SPLIT	4
8	57199-000	HHCS 5/16-24X5/8	4
9	93704-000	SOC.HCS 3/8-16X1	4
10	95901-002	(BATTERY TERMINAL BOOT - RED 2-1AWG)	1
11	93079-003	OIL DRAIN HOSE 14 INCH .375NPT	1
12	48602-003	TERMINAL FEMALE 16-14 AWG .250 TAB	1
13	48602-011	TERM MALE 12-10AWG .250X.032	1
14	16346-042	GEN END, AMC3C L2_2	1
15	16427-006	ENGINE BRIGGS 895CC GAS	1

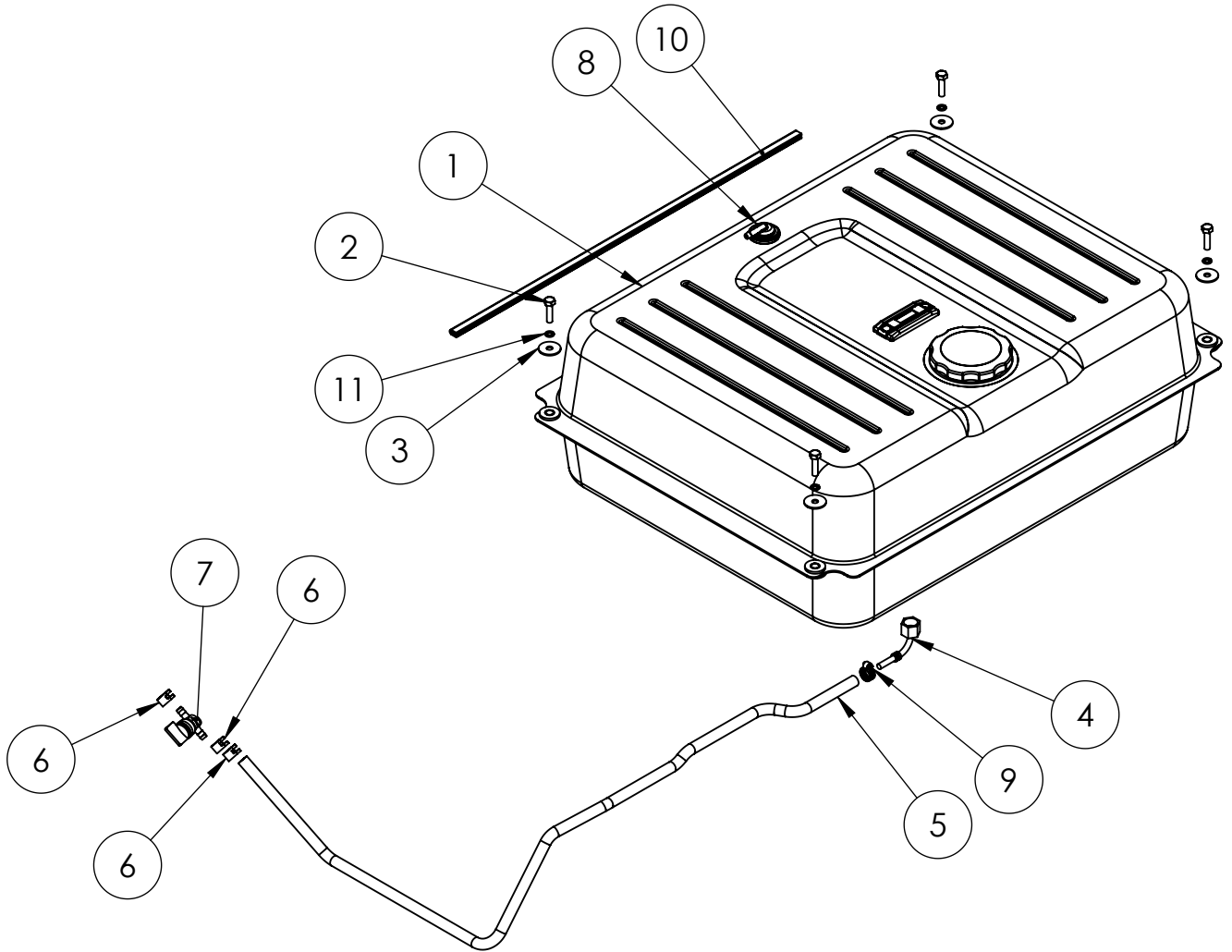
# Engine



PART NUMBER	DESCRIPTION	QTY
2-103	AIR FILTER	1
2-104	PRE-FILTER	1
2-105	OIL FILTER	1
2-106	FUEL FILTER	1
2-109	SPARK PLUG	1
2-114	FUEL PUMP	1
2-102	EXHAUST MANIFOLD GASKET	2
24018-100	KEY SET	1

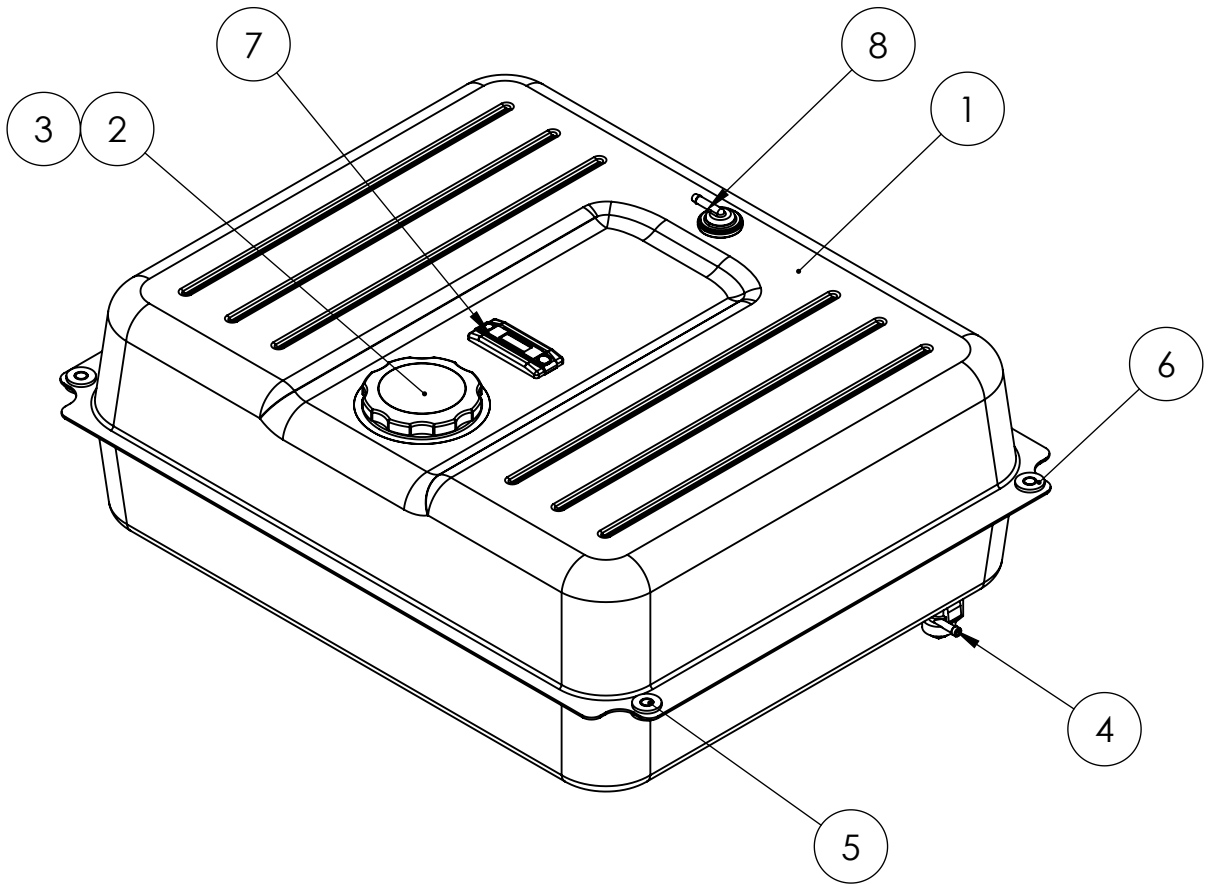
Contact WINCO service or your Briggs & Stratton dealer for full engine part support.

# Fuel System



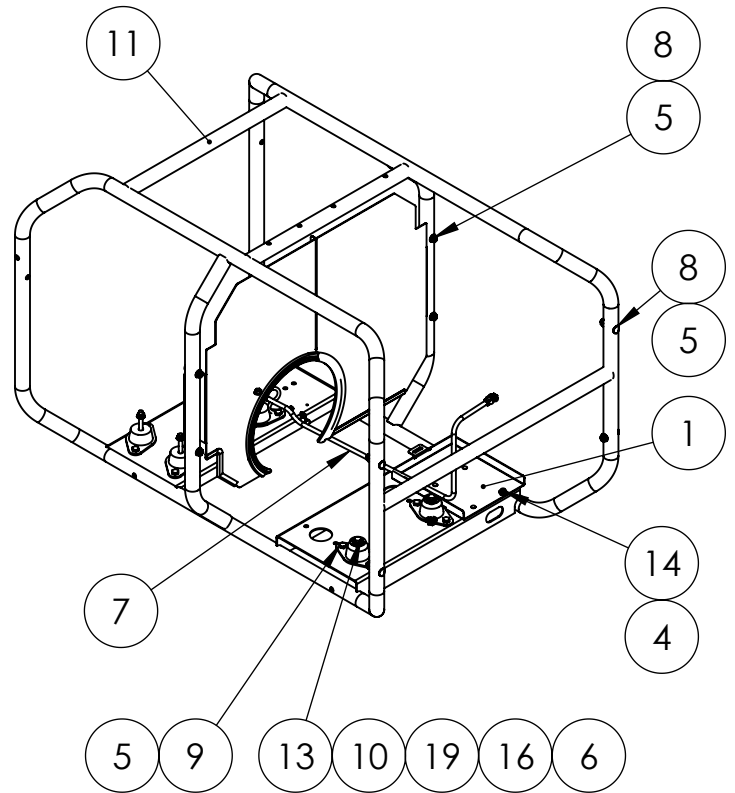
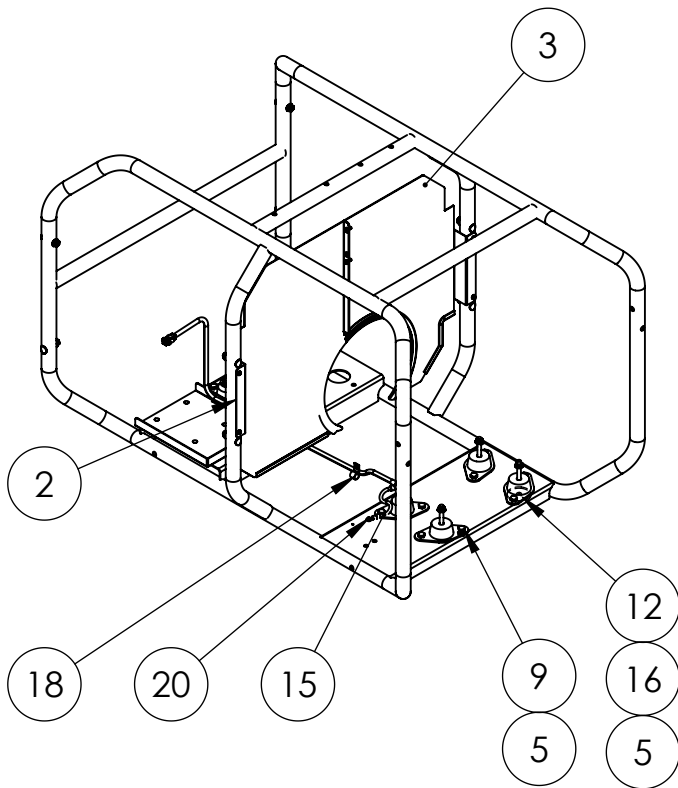
ITEM NO.	PART NUMBER	DESCRIPTION	QTY.
1	64024-014	FUEL TANK 15 GAL STEEL	1
2	439-000	.25-20 X 1 HHB	4
3	267-002	FLAT WSH 9/32X1X.063	4
4	64024-101	90 DEGREE FUEL TANK ELBOW	1
5	40078-030	1/4IN ID HOSE 35.5IN	1
6	62999-001	HOSE CLAMP .5 OD RED	3
7	98771-005	FUEL VALVE 1/4" HOSE BARB	1
8	80903-002	SLOSH VALVE 1/4" HOSE	1
9	81018-009	HOSE CLAMP .625-.250	1
10	58684-031	EDGE TRIM 22"	1
11	479-000	LOCK WASHER, .25" SPLIT	4

# Fuel Tank



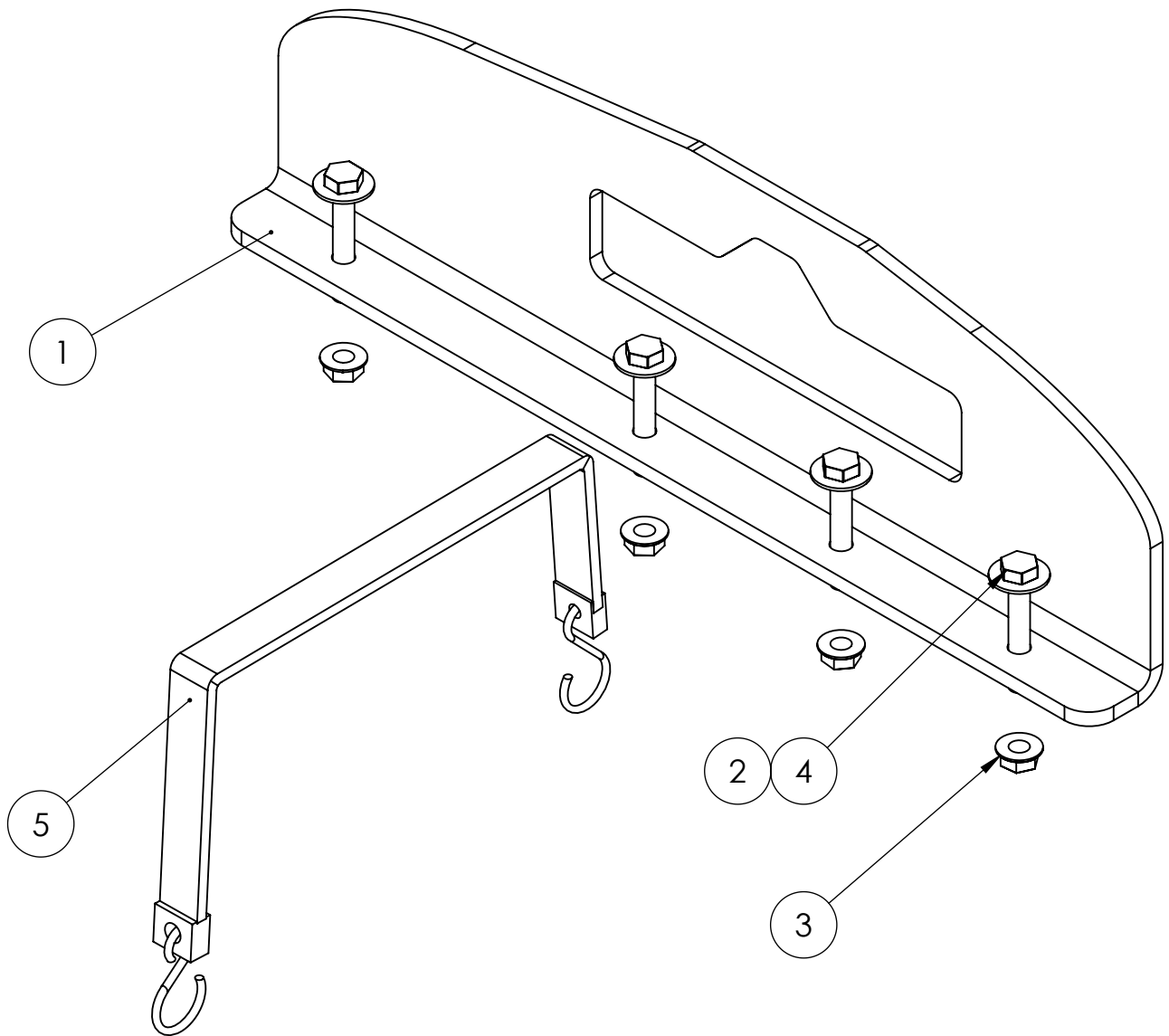
ITEM NO.	PART NUMBER	DESCRIPTION	QTY.
1	64024-014	FUEL TANK 15 GAL STEEL GASOLINE	1
2	64024-401	FUEL CAP, SEALED, AUDIBLE, TETHERED	1
3	64024-403	FUEL FILL FILTER	1
4	64024-404	168B FUEL CONTROL VALVE	1
5	64024-405	ANTI-CRUSH INSERT	4
6	64024-406	RUBBER BUSHING	4
7	64024-407	FUEL LEVEL GAUGE, 180MM	1
<b>ALL ITEMS LISTED IN THE TABLE ABOVE ARE INCLUDED WITH A 64024-14 FUEL TANK PURCHASE</b>			
8	80903-002	SLOSH VALVE 1/4" HOSE	1
9	62273-262	TOUCH UP PAINT, BLACK 3048	

# Cradle & Hardware



ITEM NO.	PART NUMBER	DESCRIPTION	QTY.
1	15676-027	BATTERY TRAY WL22000	1
2	15687-080	HEAT SHIELD RIGHT WL22000	1
3	15687-081	HEAT SHIELD LEFT WL22000	1
4	16248-000	.25-20 FLANGE NUT	4
5	16249-000	.3125-18 FLANGE	24
6	16250-000	.375-16 FLANGE NUT	2
7	22097-012	BATTERY CABLE NEGATIVE 32IN UL	1
8	23590-002	CURVED HEAD BOLT 5/16-18 X 1 3/4	8
9	467-000	.3125-18X.75 HHB	12
10	526-000	5/16 FLAT WASHER	2
11	63073-064	WL22000 WELDED CRADLE	1
12	91107-000	5/16-18 X 3.5	4
13	91658-008	HHCS 3/8-16X2-3/4 GR5	2
14	94980-001	THREAD STUD .25-20X.625	4
15	9769-145	LEAD WIRE ASSEMBLY	1
16	98806-000	WASHER .406 X 2	6
17	98807-000	SHOCKMOUNT 40 DURO	6
18	97391-007	TUBE CLAMP/CUSH.WIRE 1/2	1
19	21867-000	FLAT WASHER	2
20	21698-001	TORX PAN HEAD SCREW #10	7

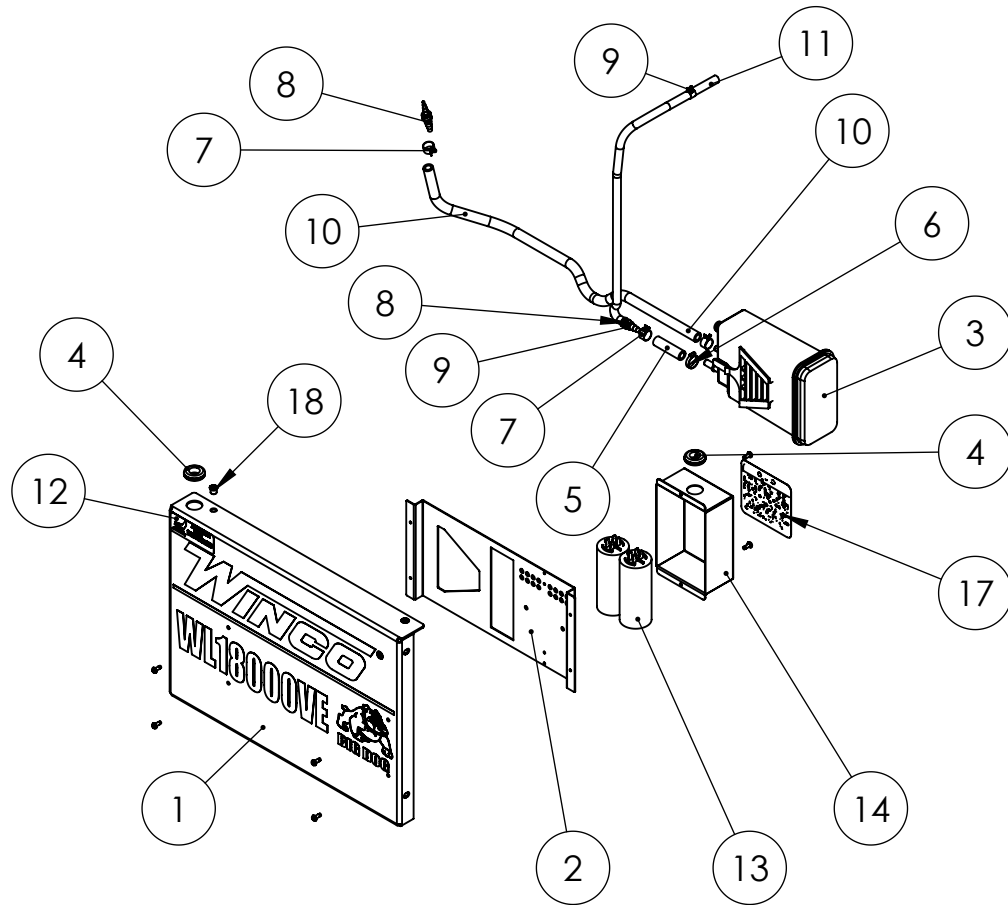
# Lifting Eye Assembly



ITEM NO.	PART NUMBER	DESCRIPTION	QTY.
1	300148-29	LIFTING EYE WL22000	1
2	526-000	FLAT WASHER 5/16_3/8	4
3	16249-000	.3125-18 FLANGE	4
4	91672-009	HHCS 5/16-18 X 2	4
5	16329-001	RUBBER STRAP, BATTERY HOLD DOWN	1



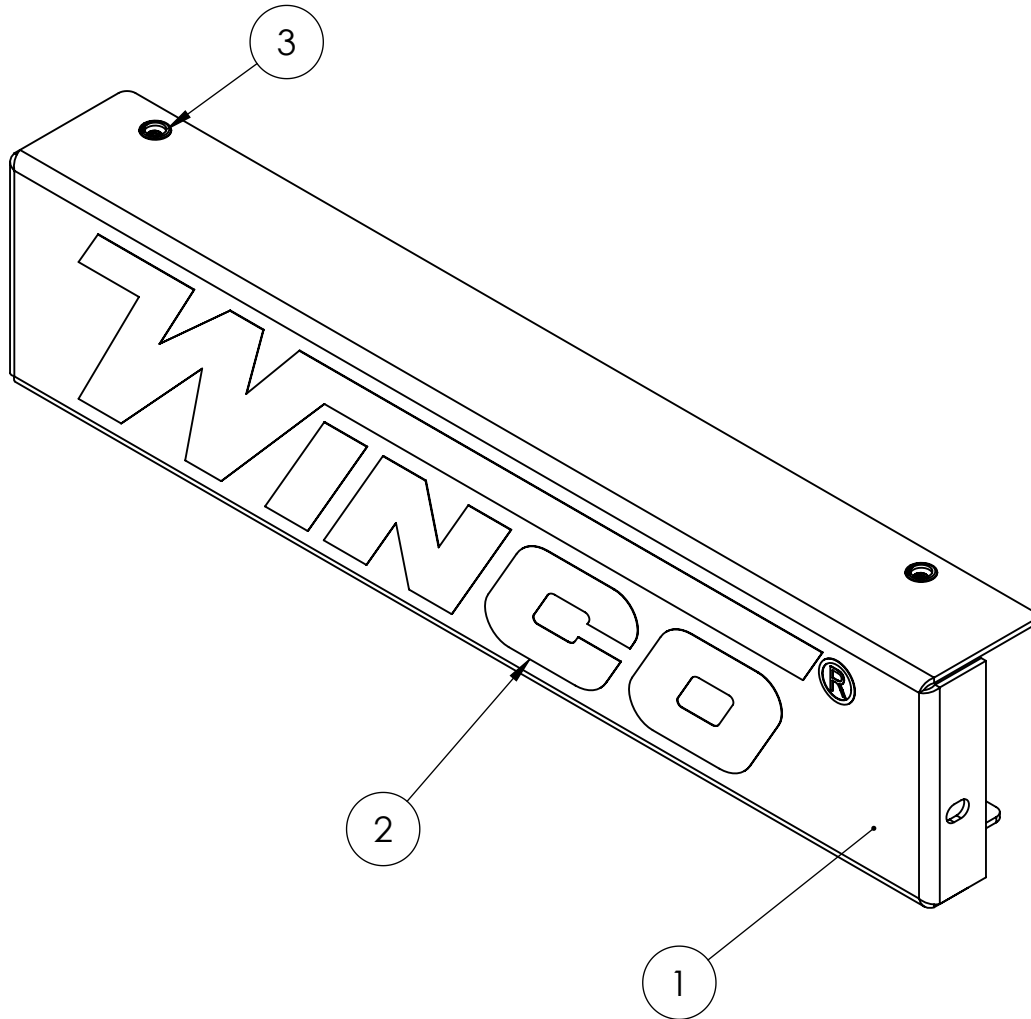
# Left Side Panel Assembly



NOTE: TERMINALS NOT SHOWN

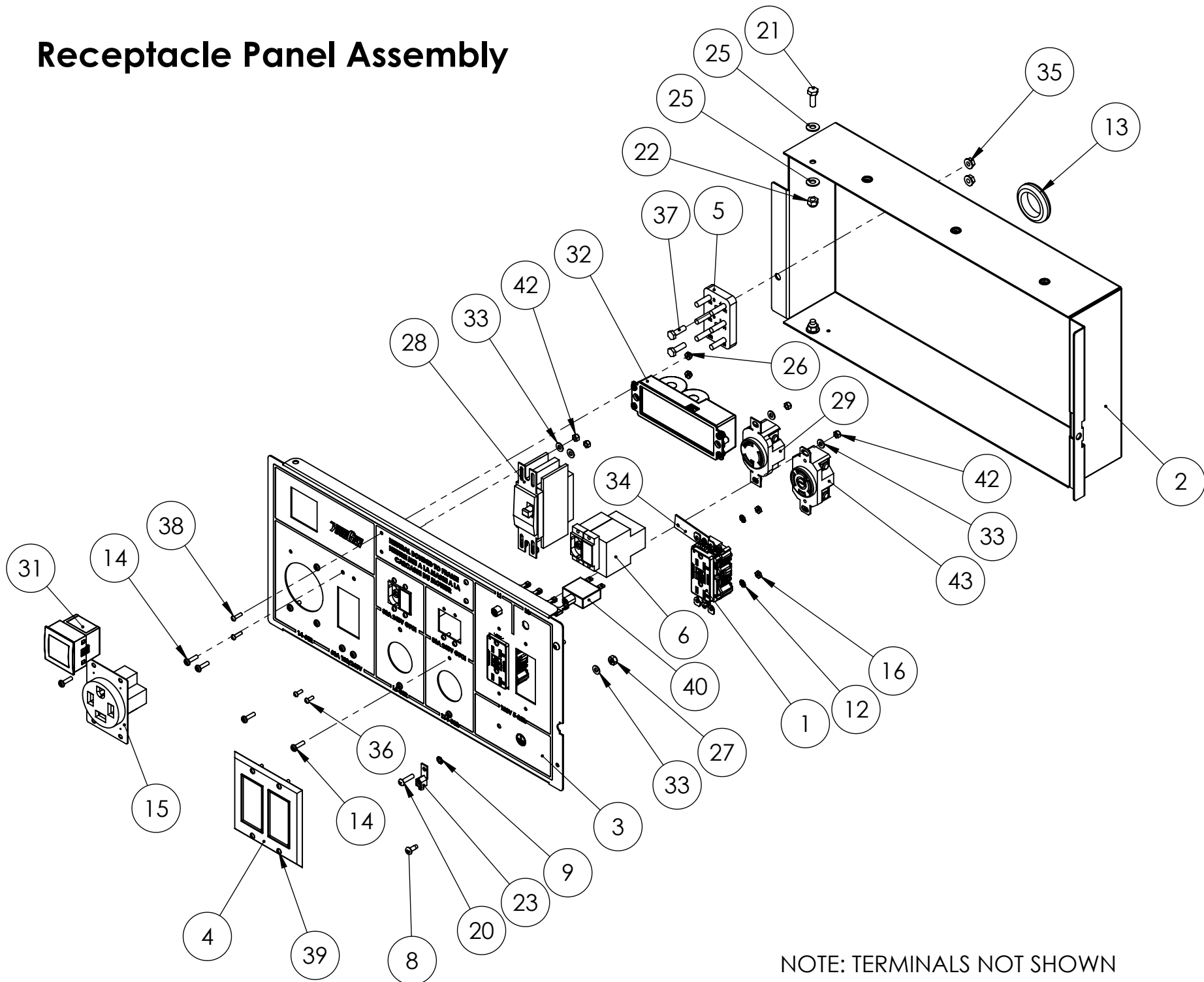
ITEM NO.	PART NUMBER	DESCRIPTION	QTY.
1	300216-46	LEFT SIDE PANEL	1
2	81900-010	CARBON CANISTER MOUNTING BRACKET	1
3	80900-000	15 GAL. CARBON CANISTER	1
4	23917-000	GROMMET .6875 X 1	2
5	55505-023	HOSE .375 ID RUBBER 2.25IN	1
6	81018-008	HOSE CLAMP .875-.25	1
7	62999-004	HOSE CLAMP .69 OD	3
8	98590-003	HOSE REDUCER 1/8-5/16 X 1/4-7/16	2
9	62999-001	HOSE CLAMP .5 OD RED	2
10	55505-003	3/8" ID HOSE 26"	1
11	40078-018	1/4" ID HOSE 26IN	1
12	63941-001	DECAL - HOT SURFACES	1
13	16346-312	CAPACITOR, 40MFD, 425VAC, DRY	2
14	15224-101	CAPACITOR BOX	1
15	48602-004	TERMINAL MALE 16-14 AWG .250 TAB	4
16	61898-000	TERMINAL FLAG 16/14AWG .250	4
17	63941-013	DECAL CAUTION CAPACITORS	1
18	352125-1	1/4-20 RIVET NUT 22 GA-10GA	2
19	21698-001	TORX PAN HEAD SCREW #10	6

# Right Side Panel



ITEM NO.	PART NUMBER	DESCRIPTION	QTY.
1	300217-40	RIGHT SIDE PANEL	1
2	97993-013	WINCO DECAL	1
3	352125-1	1/4-20 RIVET NUT 22 GA-10GA	2

# Receptacle Panel Assembly

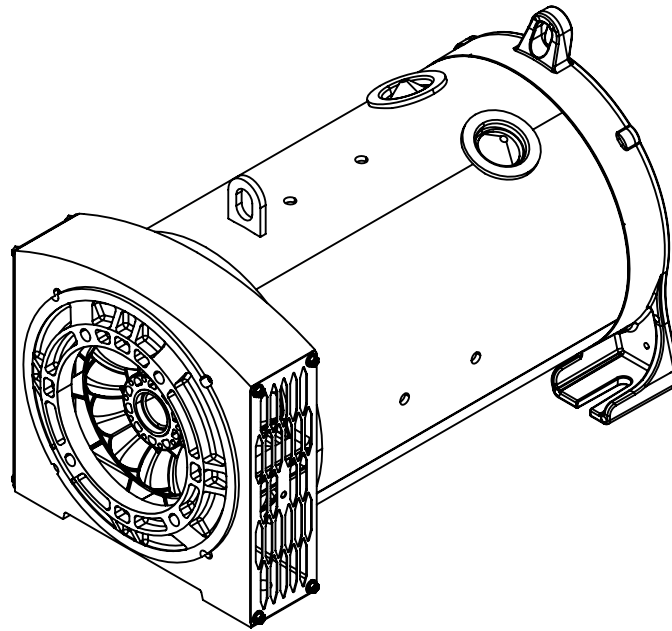


NOTE: TERMINALS NOT SHOWN

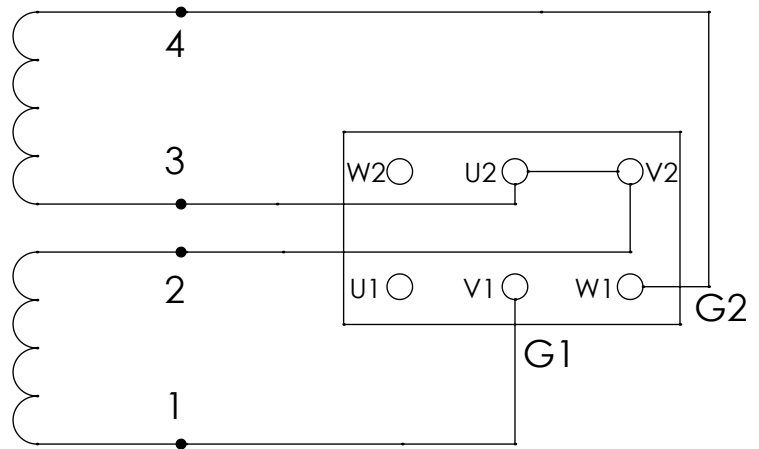
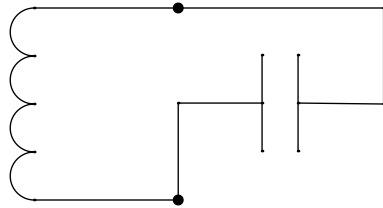
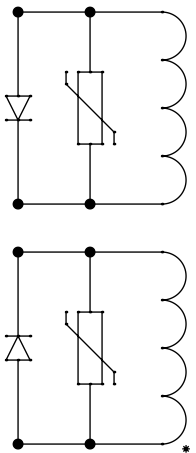
# Receptacle Panel Assembly Countinued

ITEM NO.	PART NUMBER	DESCRIPTION	QTY.
1	15147-003	RECEPTACLE NEMA 5-20R GFCI DUPLEX	2
2	15221-068	RECEPTACLE BOX	1
3	15458-107	RECEPTACLE PANEL WITH SILK SCREEN	1
4	15620-007	GFCI COVER 5-20R 2 GANG MULBERRY	1
5	16346-131	TERMINAL BLOCK	1
6	16488-018	CIR.BRK.30A-2PL-240V-GFCI-CARLING	2
7	20531-000	TERMINAL RING 12-10AWG 5/16 STUD	4
8	21698-001	TORX PAN HEAD SCREW #10	2
9	21976-000	#8 LOCKWASHER EXTERNAL TOOTH	1
10	22370-007	TERMINAL SPADE 16/14AWG #10STUD	11
11	22370-013	TERMINAL, SPADE, 12-10AWG, #10 STUD	4
12	22989-000	#6 LOCKWASHER	4
13	23917-005	GROMMET 1-5/16" ID	1
14	24198-001	BHMS #8-32 x .625 BLACK	12
15	300136-1	NEMA 14-60R	1
16	394-000	NUT HEX #6-32	4
17	4156-000	TERMINAL RING 12-10 #10 STUD	9
18	4158-000	TERMINAL RING 16-14 AWG #10	6
19	4160-000	TERMINAL, RING, 16-14AWG, 1/4 STUD	2
20	420-001	BZ RHMS 10-24X3/4 PHILLIPS	1
21	466-000	.25-20X.75 HHB	2
22	47517-000	.25-20 NYLOCK	2
23	48042-001	TERMINAL, GROUND LUG, 6-14AWG	1
24	48602-003	TERMINAL FEMALE 16-14 AWG .250 TAB	4
25	512-000	.25 WASHER	4
26	51802-000	NUT HEX #6-32 NYLOCK	4
27	5315-000	NUT HEX 10-24 NYLON	1
28	57030-005	CIR. BRK. 60A-2PL-240V	1
29	57324-000	NEMA L6-30R	1
30	58165-18	DISPLAY MODULE CABLE	1
31	58166-009	DISPLAY MODULE	1
32	58166-010	TERMINAL BLOCK MODULE	1
33	598-000	#10 WASHER	13
34	64045-041	MOUNTING STRAP, 2 HOLE, 1.800 IN	1
35	64841-001	M6-1.0 FLANGE NUT ZINC	2
36	6917-001	RHMS 6-32 X .375 BLACK ZINC	8
37	75139-020	HHCS M6-1X20MM ZINC	2
38	7792-001	BZ RHMS 6-32X.5	4
39	7792-000	RHMS 6-32 X .625	4
40	91286-001	CIRCUIT BREAKER, 20A, 1 PL	2
41	95810-000	CABLE TIE HOLDER	2
42	95985-000	NUT HEX #8-32 NYLOK	12
43	97360-000	RECEPTACLE, NEMA L14-30R 120_240V	1

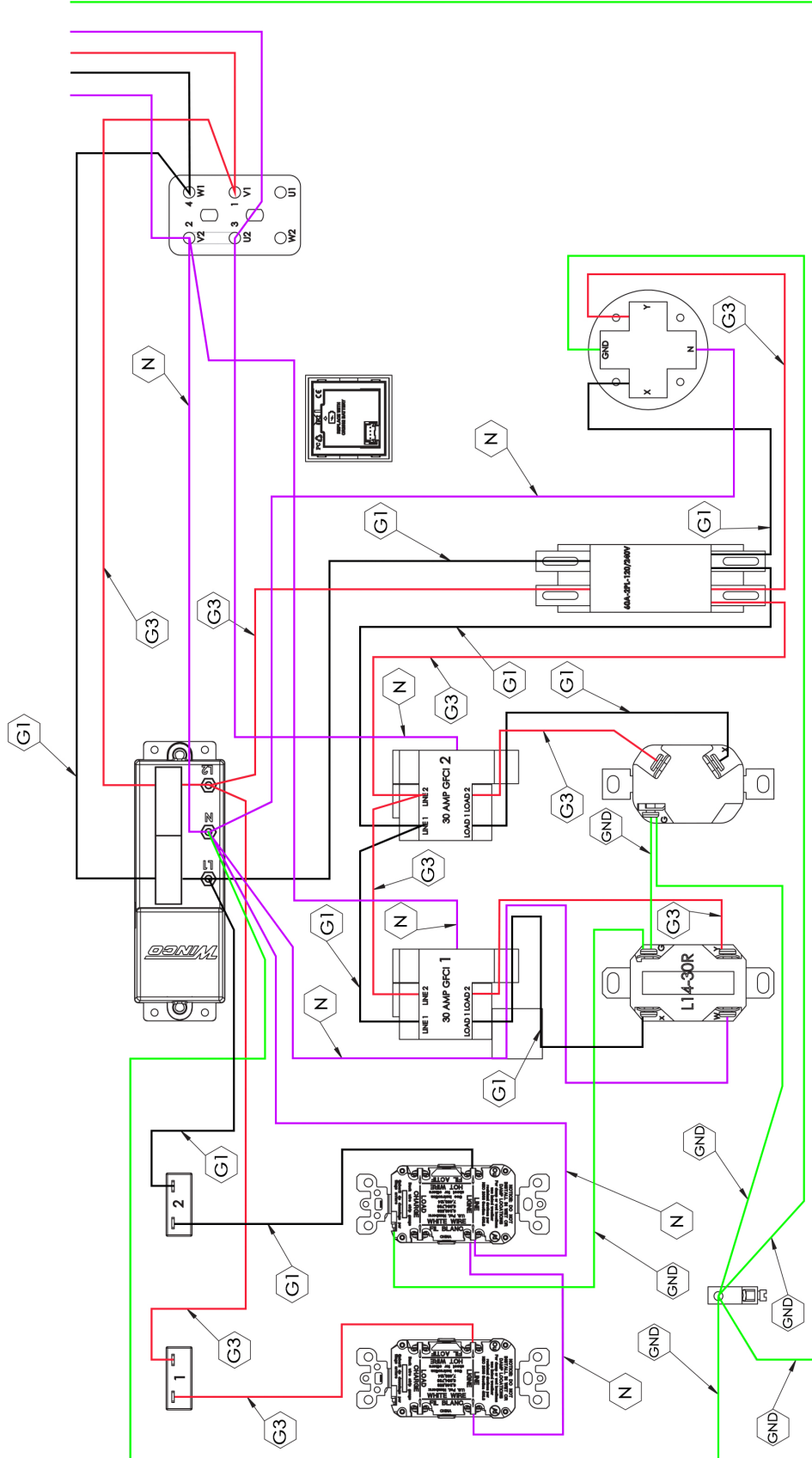
# Generator Information



PART NUMBER	QTY	DESCRIPTION
54665-005	1	REAR BEARING 6305 2RS
16346-312	2	CAPACITOR
16346-231	2	CABLE GROMMET
Individual parts not listed here may be obtained from <a href="http://www.meccalte.com">www.meccalte.com</a> . WINCO Inc sells the complete generator end or the individual parts listed above.		



# Receptacle Panel Wiring Diagram



# Capacitor Wiring Diagram

