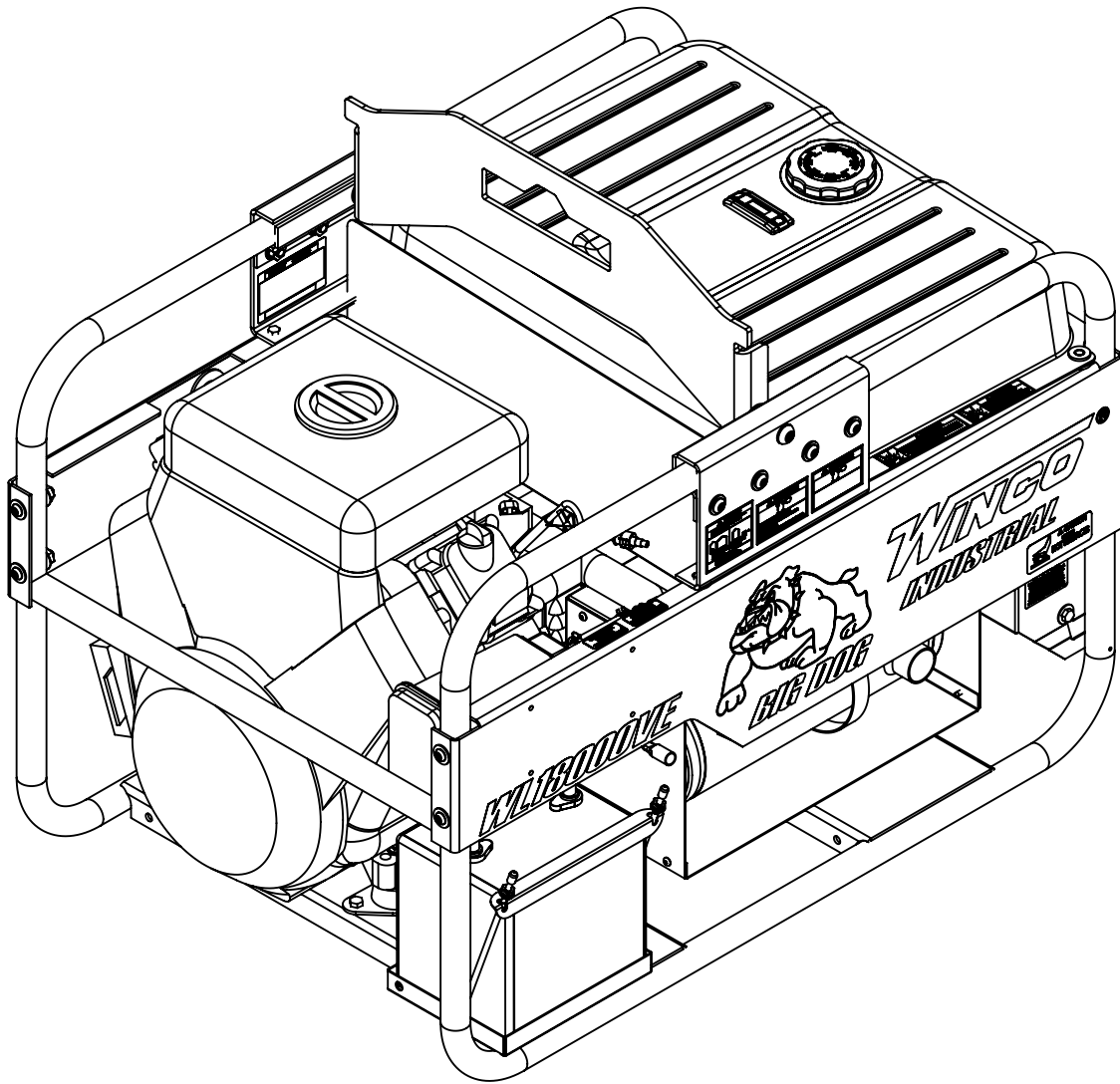


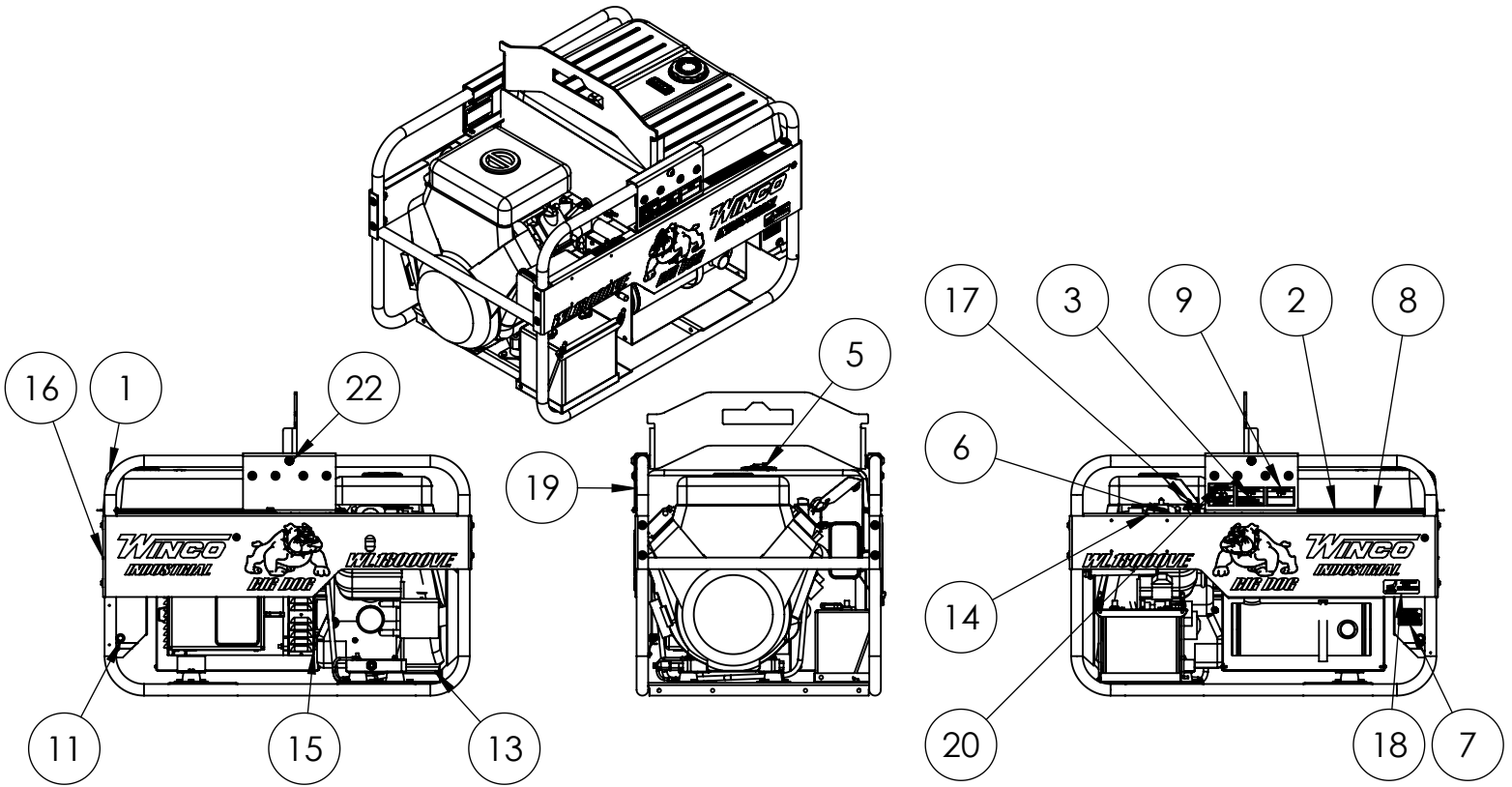
# **WINCO**<sup>®</sup>

## **WL18000VE-03/A Parts List**



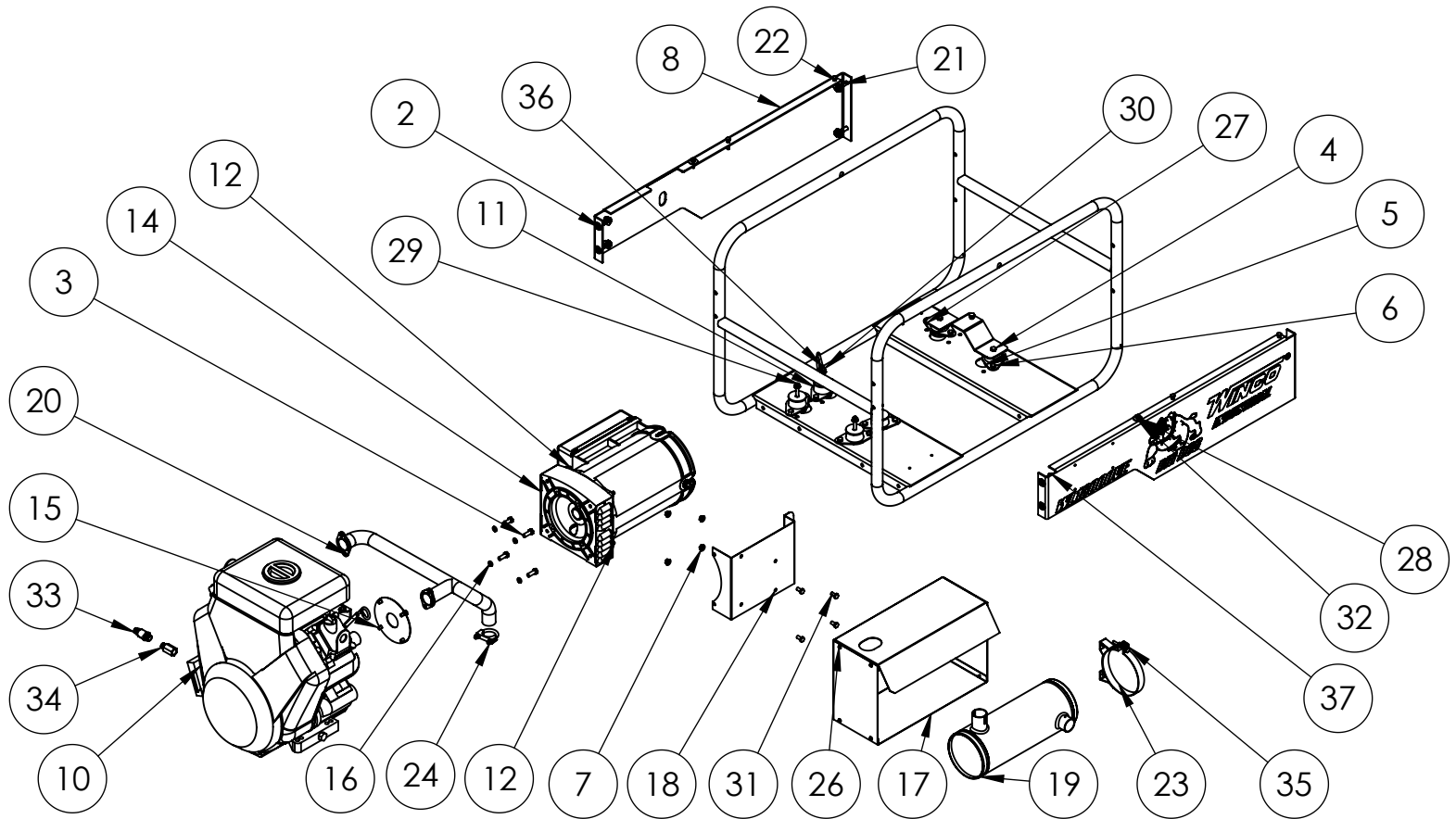
**WINCO Service**  
Phone: 507-357-6831  
Email: [service@wincogen.com](mailto:service@wincogen.com)  
[www.wincogen.com](http://www.wincogen.com)

# GENERAL ASSEMBLY



ITEM NO.	PART NUMBER	DESCRIPTION	QTY.
1	15163-072	FUEL TANK INSTALLATION	1
2	15209-001	GASOLINE DECAL	1
3	15209-002	DECAL - DANGER CARBON MONOXIDE	1
4	15209-003	UL-DECAL ELECTRICAL SHOCK CAN KILL	1
5	15209-013	DECAL - FUEL TYPE GASOLINE	1
6	15209-014	DECAL - CHECK OIL	1
7	15209-036	PROP 65 WARNING DECAL	1
8	15209-101	DECAL, GASOLINE DANGER, FRENCH	1
9	15209-102	DECAL - DANGER CARBON MONOXIDE	1
10	15209-103	UL-DECAL ELECTRICAL SHOCK CAN KILL	1
11	15457-084	RECEPTACLE ASSEMBLY	1
12	15715-095	DECAL KIT, PACKAGING, BIG DOG STYLE, STACK 2	1
13	16175-029	BATTERY INSTALLATION	1
14	16200-511	MAINTENANCE KIT DECAL	1
15	18000-002	ENGINE GENERATOR AND CRADLE WL18000	1
16	21698-001	TORX PAN HEAD SCREW #10	5
17	60710-018	OIL WARNING TAG	2
18	63941-001	DECAL - HOT SURFACES	1
19	63966-004	NAMEPLATE, WINCO PORTABLE	1
20	64918-000	DECAL-DANGER (CO) USE OUTSIDE	1
22	300144-14	LIFTING EYE ASSEMBLY	1

# ENGINE, GENERATOR, AND CRADLE ASSEMBLY

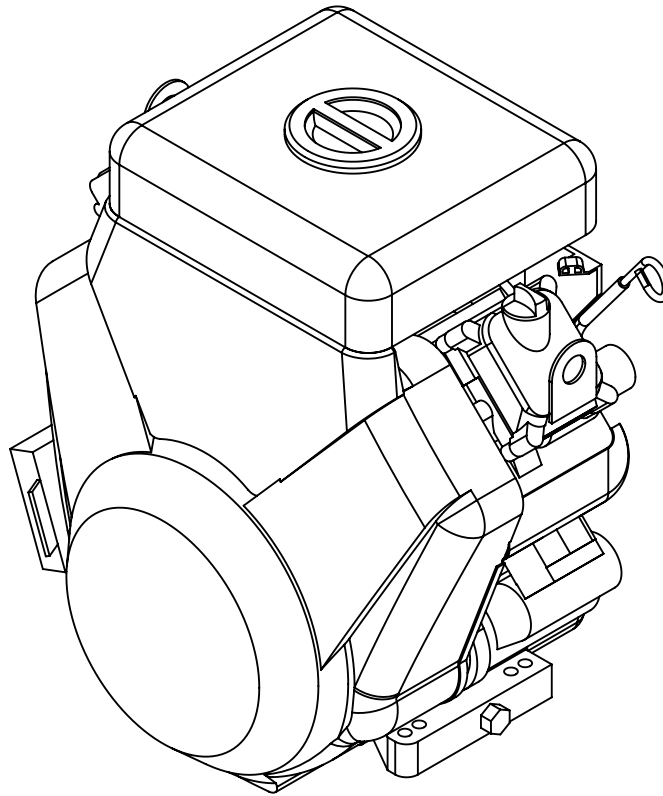


ITEM NO.	PART NUMBER	DESCRIPTION	QTY.
1	63073-045	WELDED CRADLE ASSEMBLY	1
2	526-000	5/16 FLAT WASHER	8
3	91658-001	.375 - 16 X1 HHB	6
4	91658-006	HHCS 3/8-16X2.25	2
5	98806-000	WASHER .406 X 2	10
6	467-000	HHCS 5/16-18X.75	12
7	16249-000	.3125-18 FLANGE	20
8	300217-8	RIGHT SIDE RAIL	1
9	300216-18	LEFT SIDE RAIL	1
10	16427-006	ENGINE BRIGGS 895CC GAS	1
11	98807-000	SHOCKMOUNT 40 DURO	6
12	64908-001	HHCS M8-1.25X35MM 8.8GR ZINC	4
13	16446-000	M8-1.25 NYLOCK	4
14	16428-002	GEN END, 15.5kW, 120/240VAC	1
15	83500-001	ADAPTER PLATE ASSEMBLY	1
16	481-000	LOCK 3/8 SPLIT	4
17	15687-025	MUFFLER HEAT SHIELD	1
18	15687-017	MUFFLER BRACKET	1
19	350590-13	MUFFLER 5.62" CRITICAL GRADE	1
20	16479-006	EXHAUST MANIFOLD	1

# ENGINE, GENERATOR, AND CRADLE ASSEMBLY CONTINUED

ITEM NO.	PART NUMBER	DESCRIPTION	QTY.
21	64858-009	BHSCS .375-16 X 2.00 BUTTON HEAD	8
22	95281-000	.25-20X1.25 HHB	4
23	93484-013	MUFFLER MTG.BRACKET 5.65"	1
24	93489-015	1.5ID EXHAUST CLAMP	1
25	16248-000	.25-20 FLANGE	6
26	21698-001	TORX PAN HEAD SCREW #10	9
27	16335-012	GENERATOR SUPPORT BRACKET	1
28	439-000	HHB .25-20 X 1	2
29	91107-000	5/16-18 X 3.5	3
30	91107-001	HHCS .3125-18 X 3.75	1
31	477-000	HHCS .3125-18X.625	4
32	267-002	FLAT WSH 9/32X1X.063	2
33	300349	OIL DRAIN VALVE	1
34	300349-1	OIL DRAIN ADAPTER	1
35	479-000	LOCK WASHER .25IN ID.	1
36	9769-145	LEAD WIRE ASSY (GROUND)	1
37	16250-000	.375-16 FLANGE NUT	12
38	48602-003	TERMINAL FEMALE 16-14 AWG .250 TAB	1
39	48602-011	TERM MALE 12-10AWG .250X.032	1

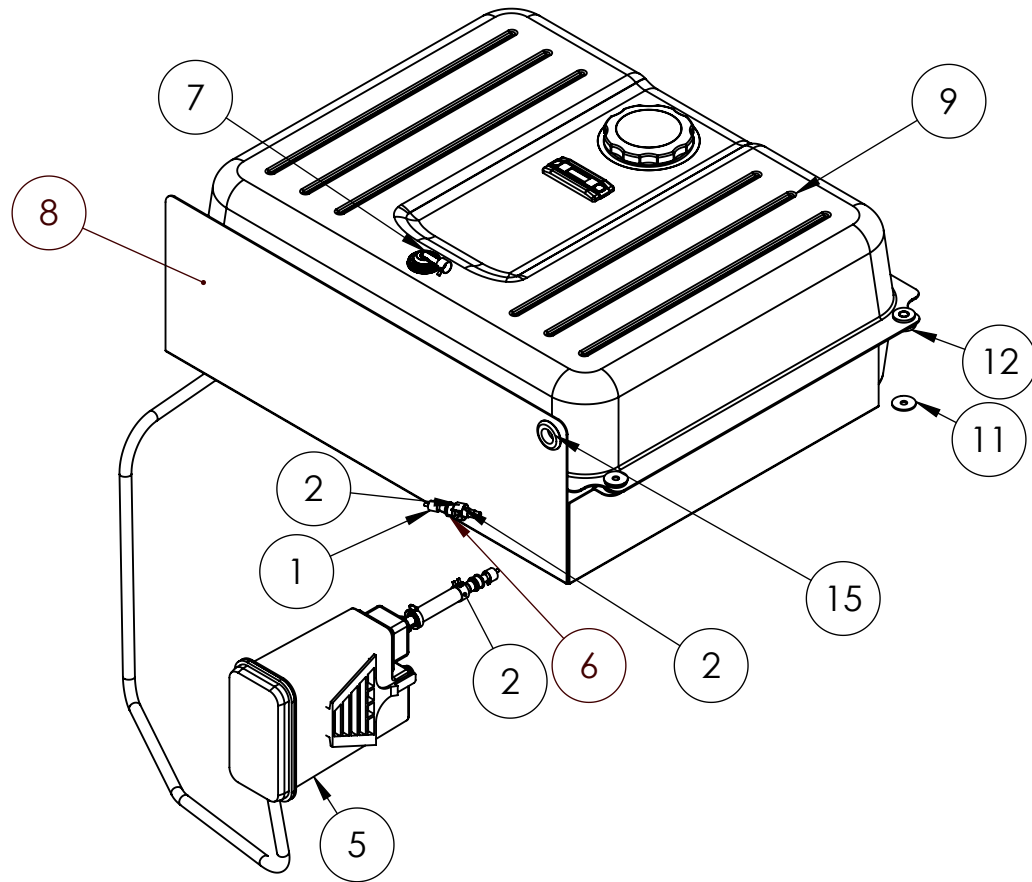
# ENGINE



ITEM NO.	PART NUMBER	DESCRIPTION	QTY
1	2-103	AIR FILTER	1
2	2-104	PRE-AIR FILTER	1
3	2-109	SPARK PLUG	1
4	2-106	FUEL FILTER	1
5	2-105	OIL FILTER	1
6	300515-31	ENGINE OIL PER QUART	2
<b>ALL ITEMS LISTED IN THE ABOVE TABLE ARE INCLUDED WITH A 16200-0011 MAINTENANCE KIT PURCHASE</b>			
7	2-121	STARTER MOTOR	1
8	2-120	STARTER SOLENOID	1
9	2-125	RECTIFIER REGULATOR	1
10	2-114	FUEL PUMP	1
11	24018-100	IGNITION KEY	1
12	2-126	KEY SWITCH W/KEYS	1
13	2-127	ARMATURE-MAGNETO (COIL)	1

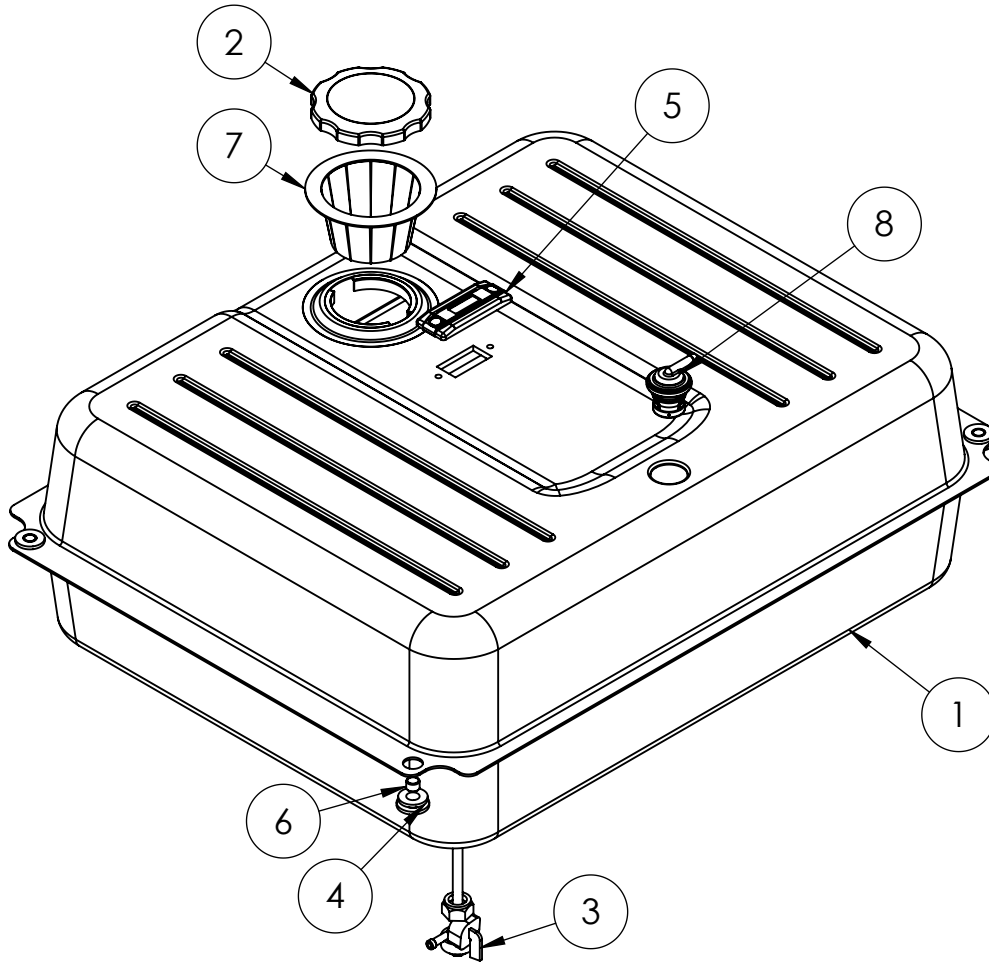
Contact WINCO service or your Briggs & Stratton dealer for full engine part support.

# FUEL SYSTEM



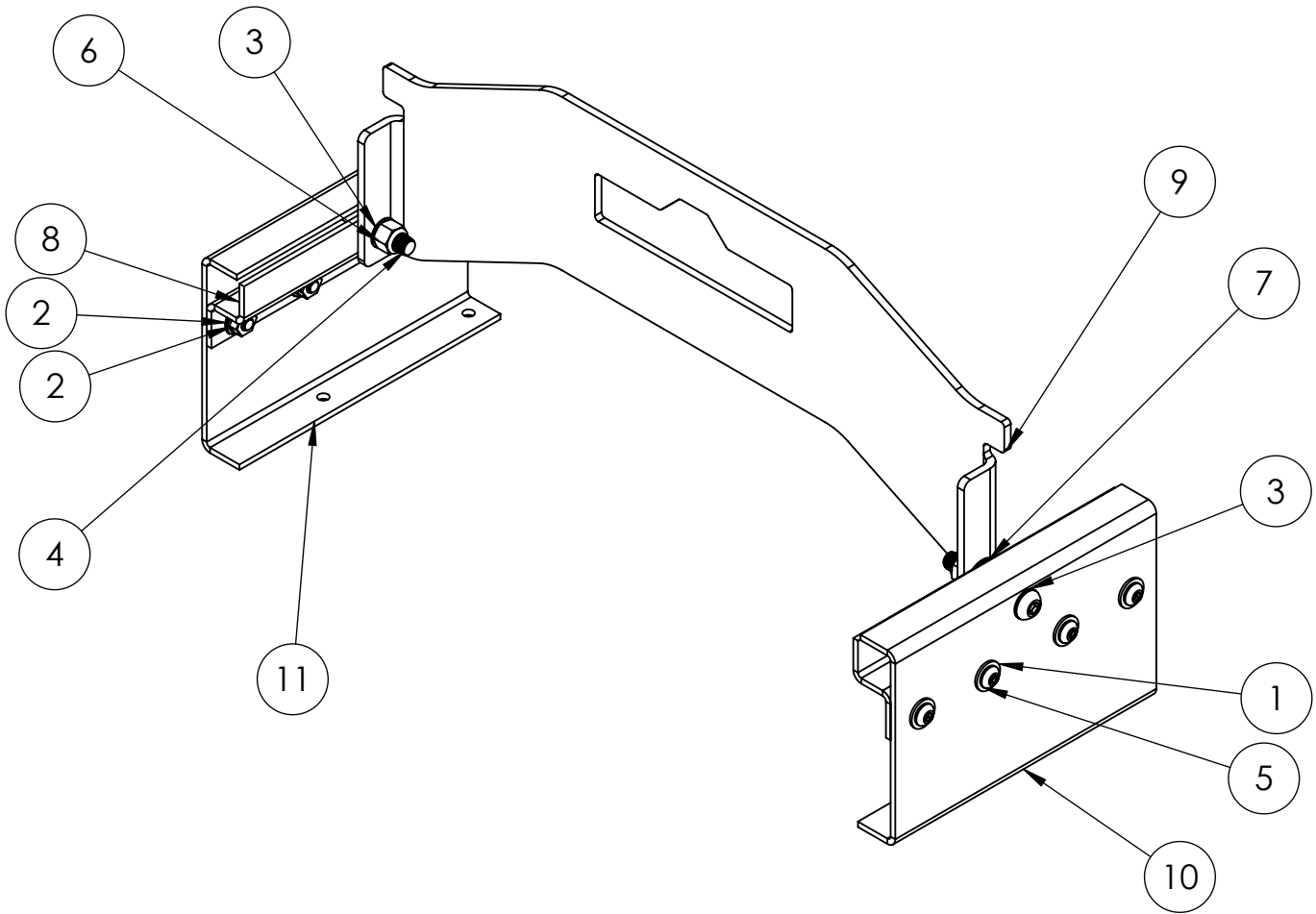
ITEM NO.	PART NUMBER	DESCRIPTION	QTY.
1	62999-005	HOSE CLAMP .41 OD GREEN	1
2	62999-004	HOSE CLAMP .69 OD	3
3	62999-001	HOSE CLAMP .5 OD RED	4
4	40078-031	HOSE .25 ID RUBBER 36IN	1
5	80900-000	15 GAL. CARBON CANISTER	1
6	98590-003	HOSE REDUCER 1/8-5/16 X 1/4-7/16	2
7	80903-002	SLOSH VALVE 1/4" HOSE	1
8	15462-044	FUEL TANK TRAY 15 GAL	1
9	64024-014	FUEL TANK 15 GAL. STEEL GASOLINE	1
10	81018-008	HOSE CLAMP .875-.25	1
11	267-002	FLAT WSH 9/32X1X.063	4
12	23558-000	FLAT WSHR. .3435 X 1 .125 THK. ZINC	2
13	49975-014	STAINLESS STEEL CABLE TIE 8"	2
14	55505-026	HOSE .375 ID RUBBER 3IN	1
15	23917-000	GROMMET .6875ID X 1	1

# Fuel Tank



ITEM NO.	PART NUMBER	DESCRIPTION	QTY.
1	64024-014	FUEL TANK 15 GAL STEEL GASOLINE	1
2	64024-401	FUEL CAP, SEALED, AUDIBLE, TETHERED	1
3	64024-404	168B FUEL CONTROL VALVE	1
4	64024-406	RUBBER BUSHING	4
5	64024-409	FUEL LEVEL GAUGE, 180MM	1
6	64024-405	ANTI-CRUSH INSERT	4
7	64024-403	FUEL FILTER	1
ALL ITEMS LISTED IN THE TABLE ABOVE ARE INCLUDED WITH A 64024-14 FUEL TANK PURCHASE			
8	80903-002	SLOSH VALVE 1/4" HOSE	1
9	61273-262	TOUCH UP PAINT, BLACK 3048	1

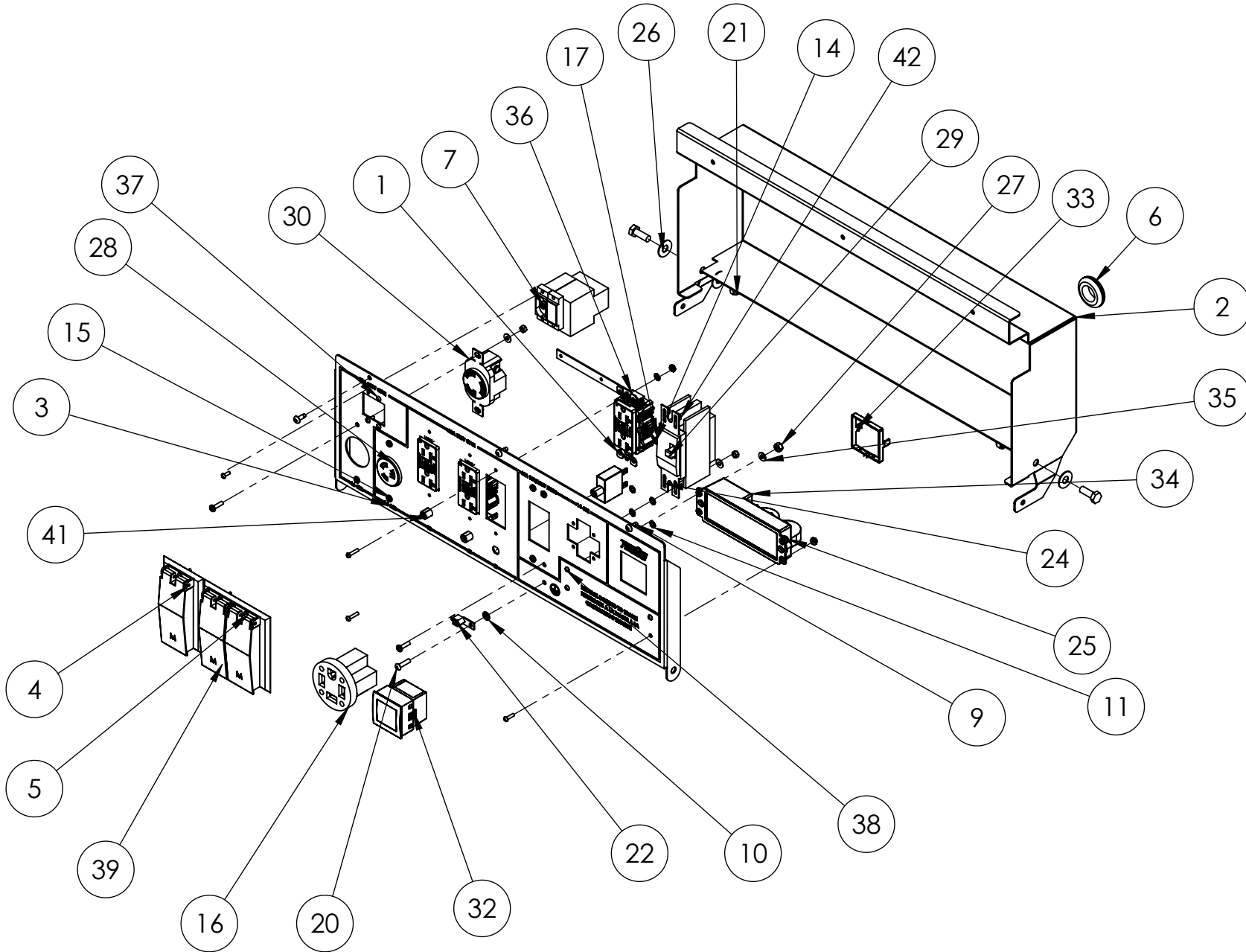
# LIFTING EYE ASSEMBLY



ITEM NO.	PART NUMBER	DESCRIPTION	QTY.
1	526-000	WASHER ID .375 OD .890	8
2	16250-000	.375-16 FLANGE NUT	8
3	21867-001	FLAT WASHER .51 X .88 X .05	4
4	64858-008	BHSCS 1/2-13 X 3.00 BUTTON HEAD SOCKET CAP SCREW	2
5	64858-010	BHSCS 3/8-16 X 0.875	8
6	92242-000	NUT HEX .500-13 NYLOCK	2
7	96286-008	FLAT WASHER NYLON 1.25 OD, .508 ID, .062 THK	2
8	300147-6	LIFTING EYE SUPPORT BRACKET	2
9	300148-18	LIFTING EYE	1
10	300149-20	LIFTING EYE SIDE SUPORT RIGHT	1
11	300149-21	LIFTING EYE SIDE SUPPORT LEFT	1



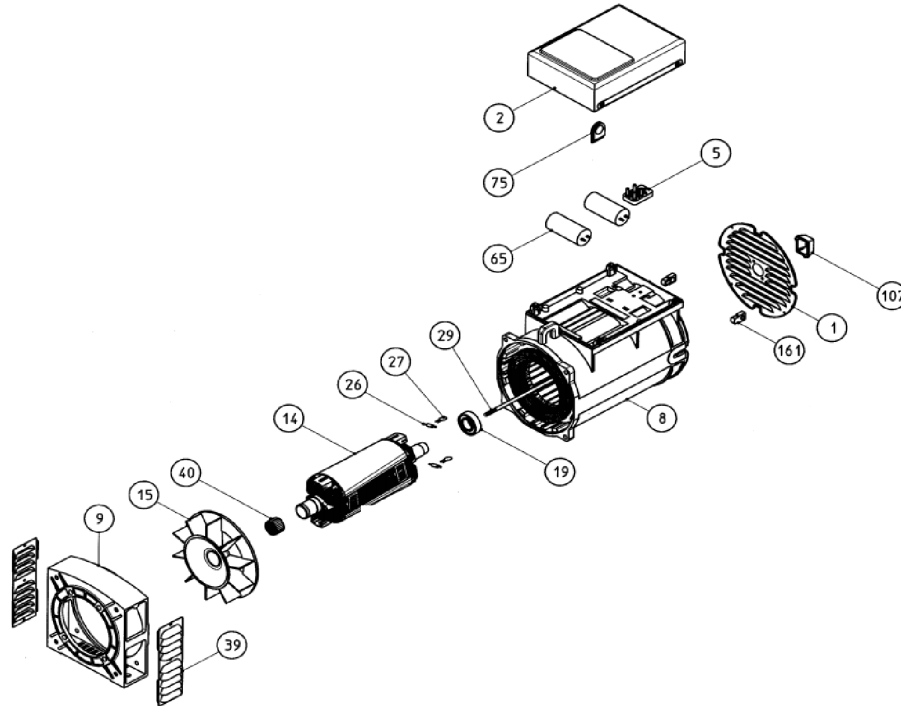
# RECEPTACLE PANEL ASSEMBLY



# RECEPTACLE PANEL ASSEMBLY

ITEM NO.	PART NUMBER	DESCRIPTION	QTY.
1	15147-003	RECEPTACLE NEMA 5-20R GFCI DUPLEX	3
2	15221-033	RECEPTACLE BOX	1
3	15458-087	WL18000 RECEPTACLE PANEL	1
4	15620-006	GFCI COVER 5-20R SINGLE MULBERRY	1
5	15620-007	GFCI COVER 5-20R 2 GANG MULBERRY	1
6	16302-000	GROMMET .875ID X 1.25	1
7	16488-018	CIR.BRK.30A-2PL-240V-GFCI-CARLING	1
8	21114-000	TERMINAL, RING, 8AWG, #10 STUD	9
9	21698-001	TORX PAN HEAD SCREW #10	3
10	21975-000	#10 INT. TOOTH LOCKWASHER	1
11	21976-000	#8 LOCKWASHER EXTERNAL TOOTH	4
12	22370-007	TERMINAL SPADE 16/14AWG #10STUD	1
13	22370-013	TERMINAL, SPADE, 12-10AWG, #10 STUD	7
14	22989-000	#6 LOCKWASHER	6
15	24198-001	BHMS #8-32 x .625 BLACK	8
16	300136	NEMA 14-60R	1
17	394-000	NUT HEX #6-32	6
18	4156-000	TERMINAL RING 12-10 #10 STUD	8
19	4158-000	TERMINAL RING 16-14 AWG #10	1
20	420-001	BZ RHMS 10-24X3/4 PHILLIPS	1
21	47136-000	HEX NUT .3125-18 NYLOK	2
22	48042-001	TERMINAL, GROUND LUG, 6-14AWG	1
23	48602-003	TERMINAL FEMALE 16-14 AWG .250 TAB	6
24	511-000	#8 FLATWASHER	8
25	51802-000	NUT HEX #6-32 NYLOCK	4
26	526-000	FLAT WASHER 5/16_3/8	4
27	5315-000	NUT HEX 10-24 NYLON	1
28	56279-000	RECEPTACLE, NEMA L5-20R	1
29	57030-005	CIR. BRK. 60A-2PL-240V	1
30	57324-000	NEMA L6-30R	1
31	58165-18	DISPLAY MODULE CABLE	1
32	58166-009	DISPLAY MODULE	1
33	58166-009	DISPLAY MODULE MOUNTING CLIP	1
34	58166-010	TERMINAL BLOCK MODULE	1
35	598-000	#10 WASHER	1
36	64045-043	MOUNTING STRAP, 3 HOLE, 1.80IN AND 2.80IN	1
37	6917-001	RHMS 6-32 X .375 BLACK ZINC	4
38	7792-001	BZ RHMS 6-32X.5	4
39	7792-000	RHMS 6-32 X .625	6
40	81963-001	TERMINAL RING 18-22 AWG #10	1
41	91286-001	CIRCUIT BREAKER, 20A, 1 PL	3
42	95985-000	NUT HEX #8-32 NYLOK	8
43	465-000	.3125-18X.875 HHB	2

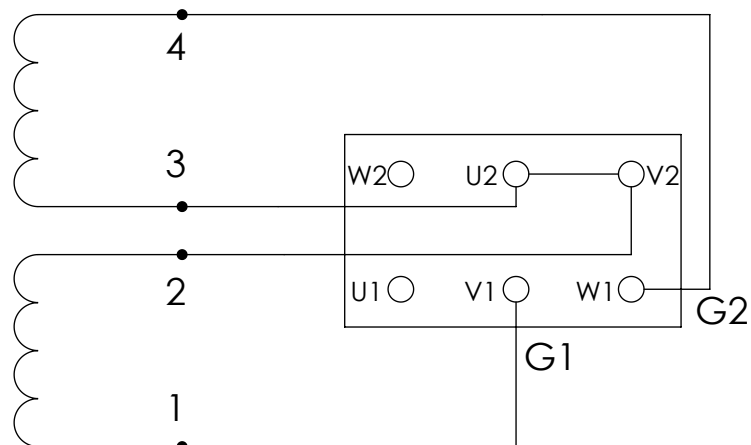
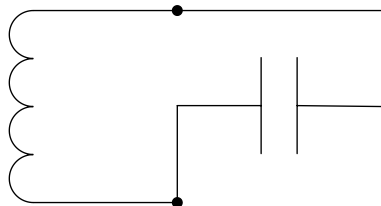
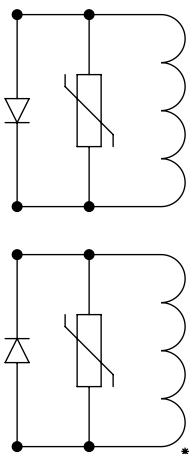
# GENERATOR INFORMATION



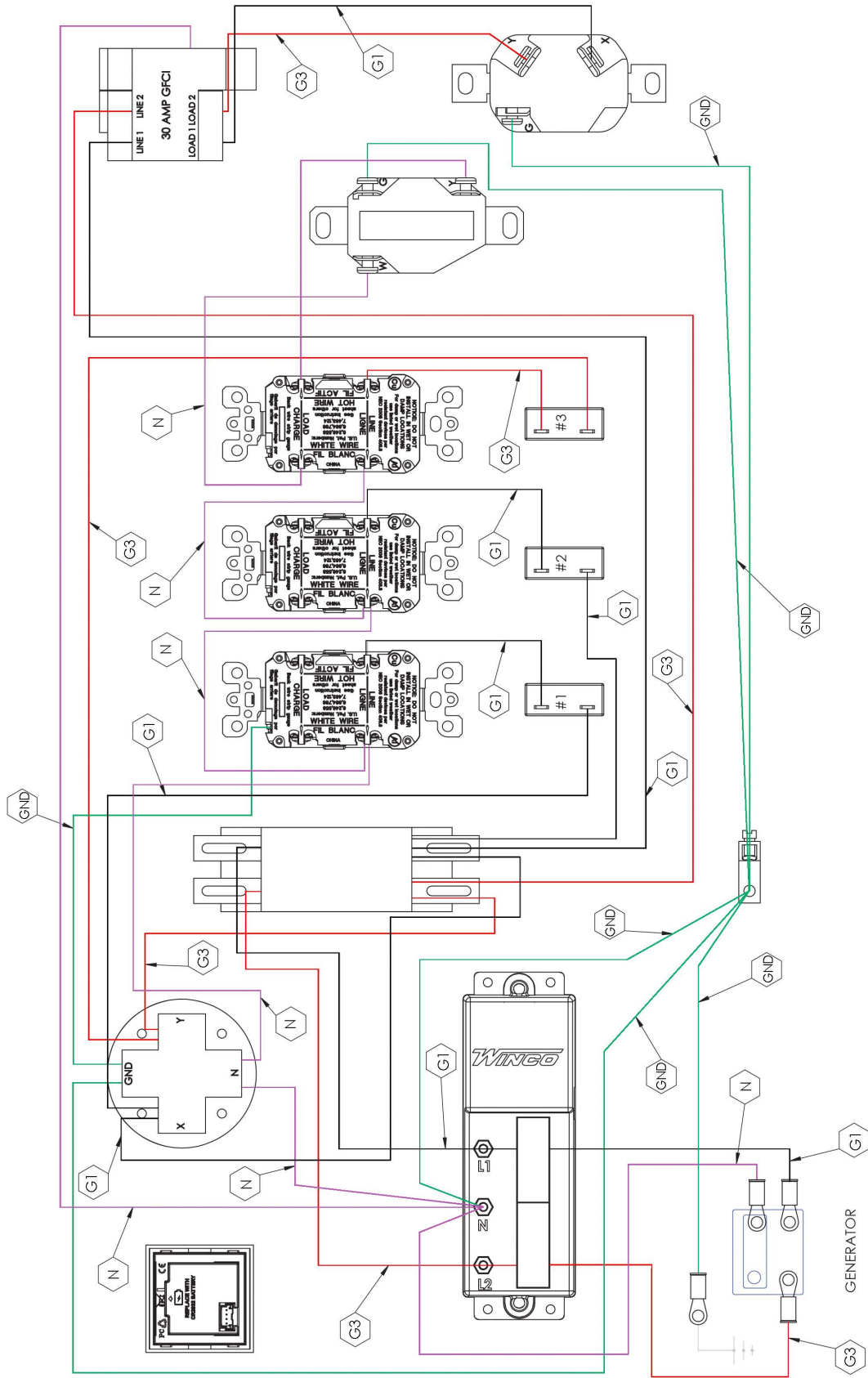
ITEM NO.	PART NUMBER	DESCRIPTION	QTY.
--	16428-002	COMPLETE GENERATOR ASSEMBLY	1
65	300323-112	31.5 uF CAPACITOR	1
65	300323-212	35 uF CAPACITOR	2
19	54665-000	BEARING	1
26	300323-207	DIODE	2
27	16346-106	VARISTER	2

Individual parts not listed here may be obtained from [www.meccalte.com](http://www.meccalte.com)  
 Winco Inc. sells the complete generator end or the individual parts listed above.

EXPECTED RESISTANCE ( $\Omega$ )		
ROTOR	STATOR	EXCITATION
8.04 OHMS	0.056 OHMS	0.41 OHMS



# RECEPTACLE PANEL WIRING DIAGRAM



# CAPACITOR WIRING DIAGRAM

