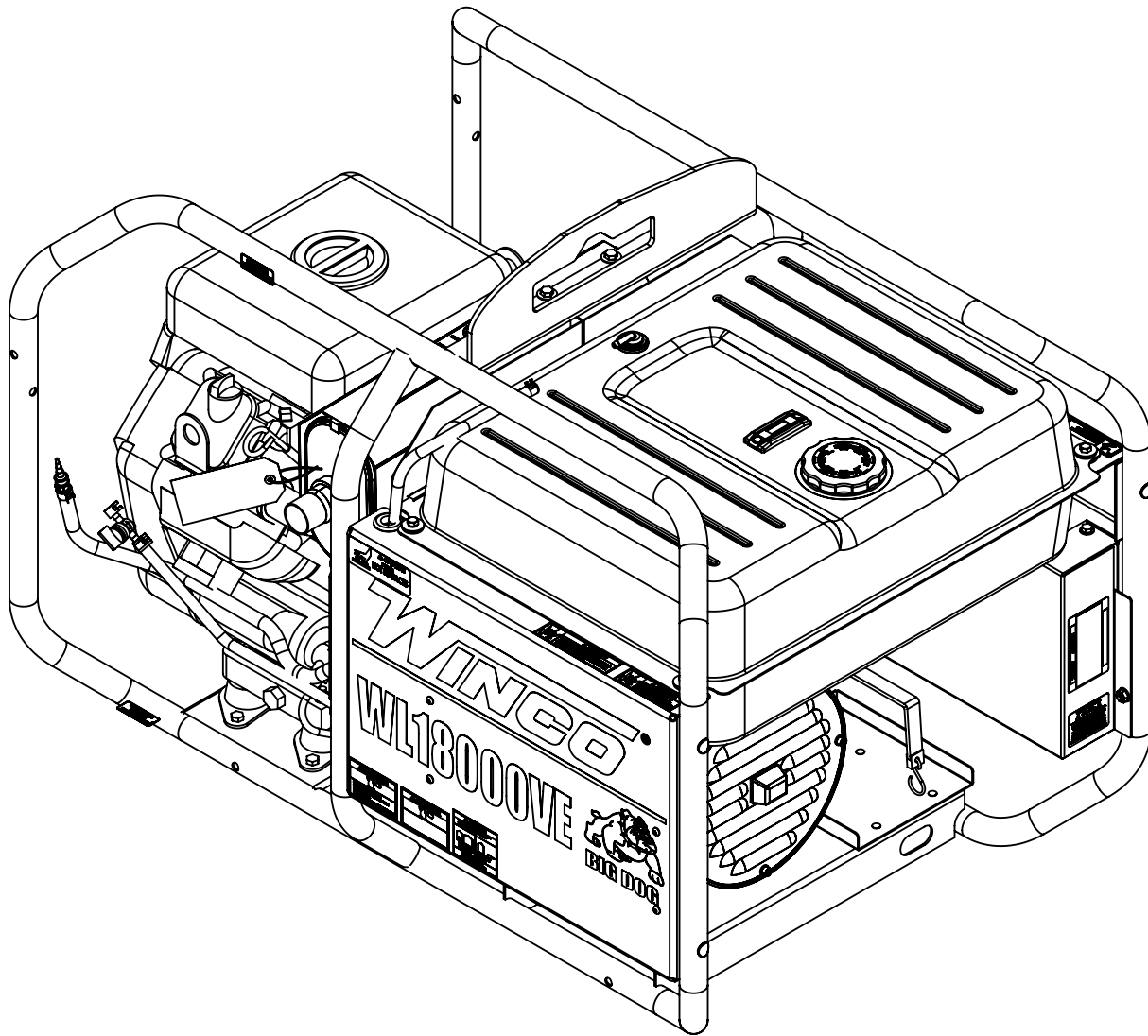


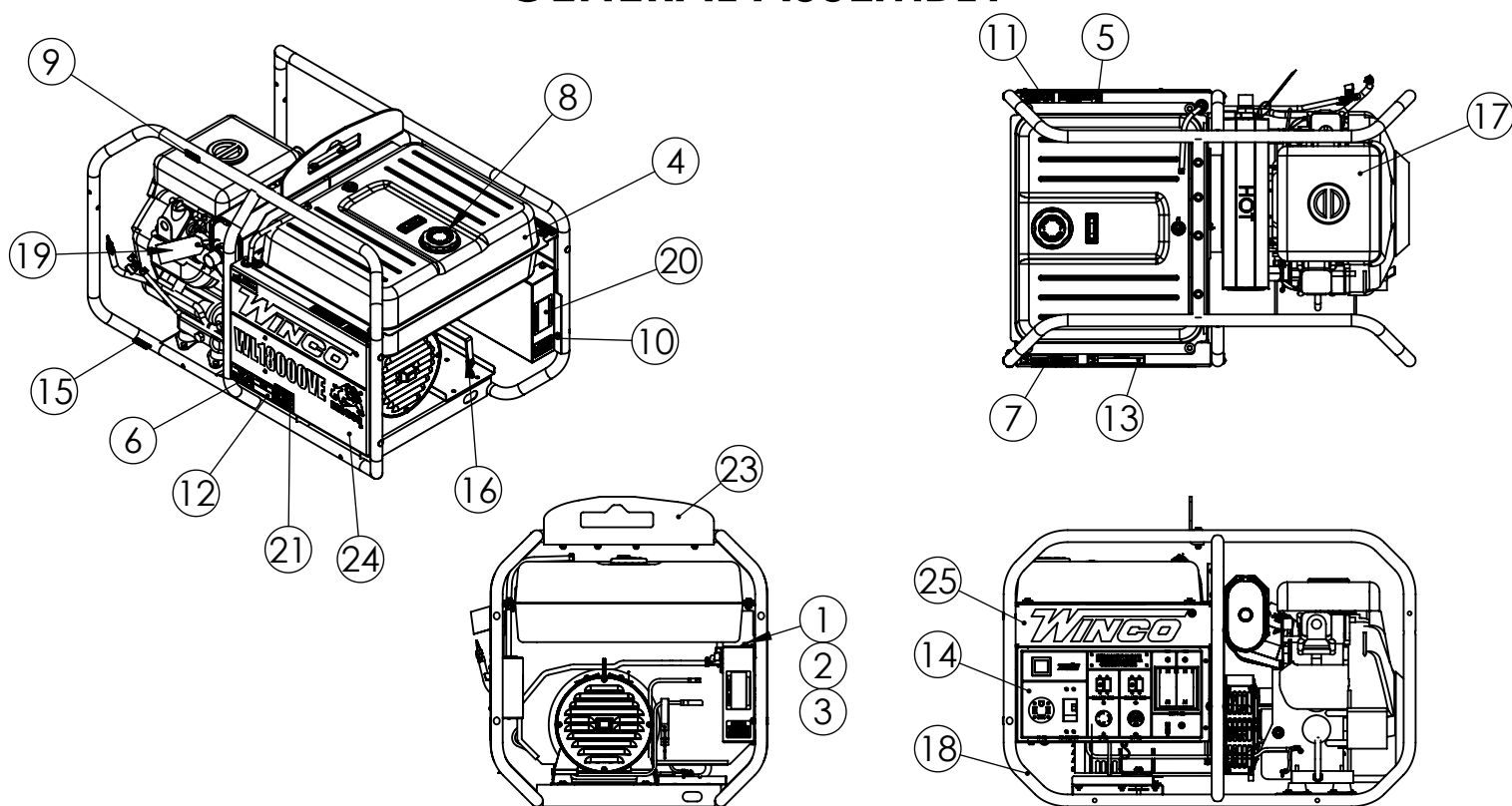
WINCO[®]

WL18000VE-03/B Parts List



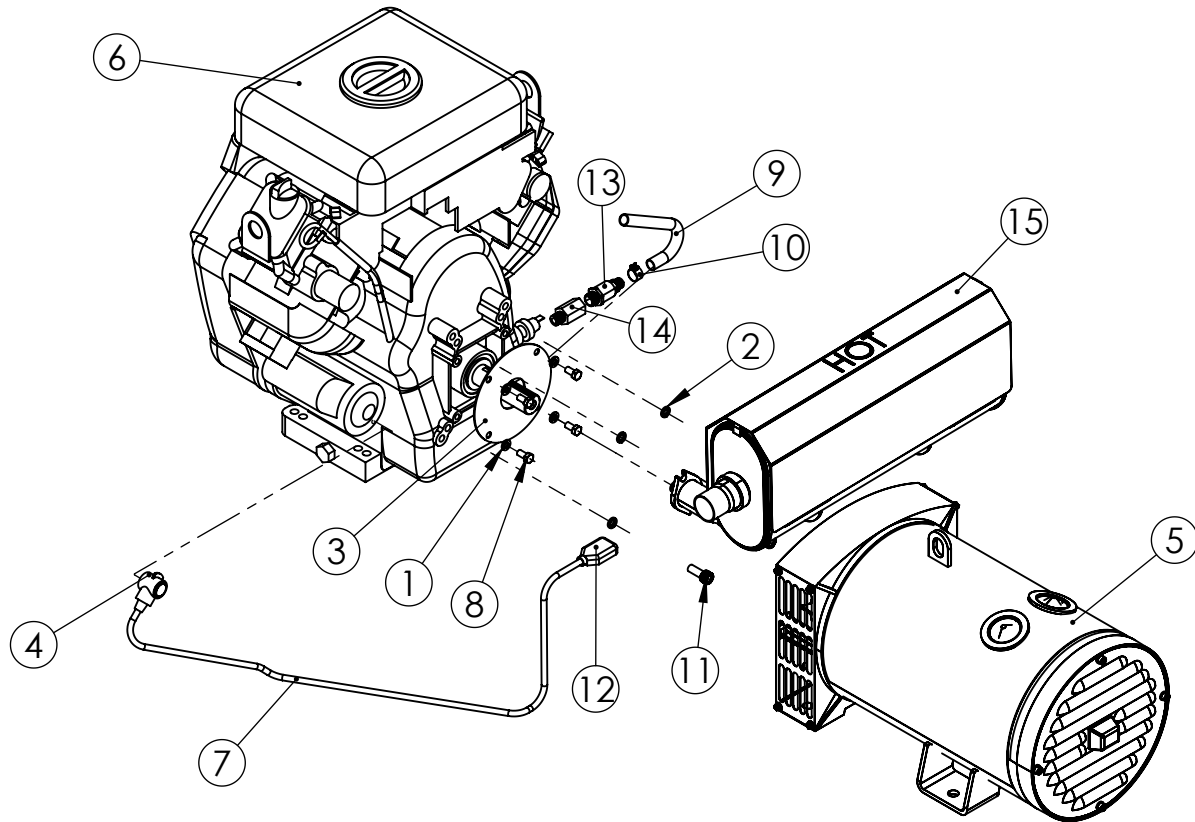
WINCO Service
Phone: 507-357-6831
Email: service@wincogen.com
www.wincogen.com

GENERAL ASSEMBLY



ITEM NO.	PartNo	DESCRIPTION	QTY.
1	466-000	.25-20X.75 HHB	3
2	479-000	LOCK WASHER, .25" SPLIT	3
3	512-000	.25 WASHER	3
4	15163-101	FUEL SYSTEM ASSEMBLY	1
5	15209-001	GASOLINE DECAL	1
6	15209-002	DECAL-DANGER CARBON MONOXIDE	1
7	15209-003	UL-DECAL ELECTRICAL SHOCK CAN KILL	1
8	15209-013	DECAL - FUEL TYPE GASOLINE	1
9	15209-014	DECAL - CHECK OIL	1
10	15209-036	PROP 65 WARNING DECAL	1
11	15209-101	DECAL, GASOLINE DANGER, FRENCH	1
12	15209-102	DECAL-DANGER CARBON MONOXIDE	1
13	15209-103	UL-DECAL ELECTRICAL SHOCK CAN KILL	1
14	15457-071	RECEPTACLE PANEL ASSEMBLY	1
15	16200-511	MAINT KIT DECAL	1
16	16329-001	RUBBER STRAP, BATTERY HOLD DOWN	1
17	18000-035	ENGINE GENERATOR ASSEMBLY	1
18	18000-208	WL22000 HARDWARE KIT	1
19	60710-018	OIL WARNING TAG	1
20	63966-004	NAMEPLATE, WINCO PORTABLE	1
21	64918-000	DECAL-DANGER (CO) USE OUTSIDE	1
22	94442-002	NUT HEX M6-1.0	4
23	300144-26	LIFTING EYE ASSEMBLY WL22000	1
24	300216-40	LEFT SIDE PANEL ASSEMBLY	1
25	300217-30	RIGHT SIDE PANEL	1

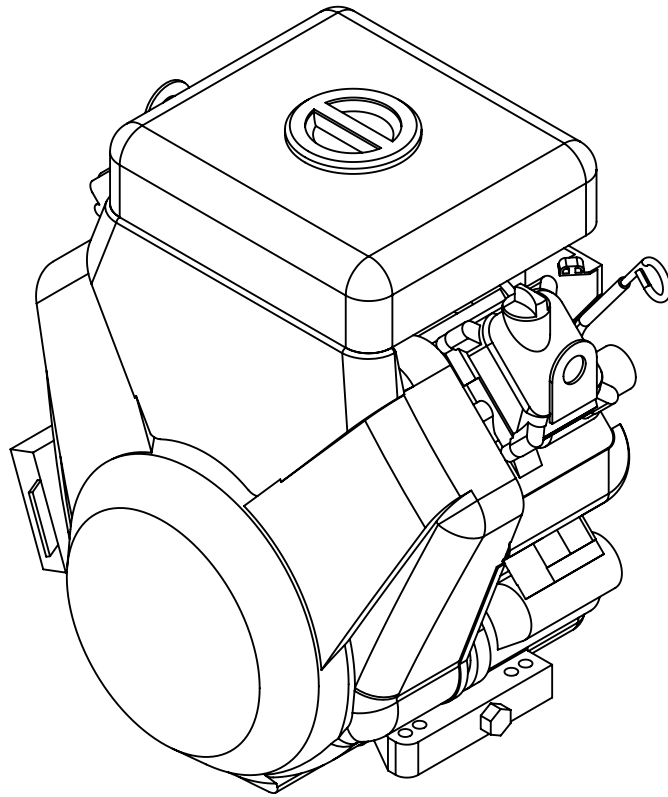
ENGINE AND GENERATOR ASSEMBLY



NOTE: TERMINALS NOT SHOWN

ITEM NO.	PartNo	DESCRIPTION	QTY.
1	480-000	5/16 SPLIT LOCKWASHER	4
2	481-000	LOCK WASHER .375 SPLIT	4
3	15144-014	ENGINE BAFFLE	1
4	16145-000	TERMINAL INSULATOR	1
5	16346-036	AM3_1PH_2P_J609B	1
6	16427-006	ENGINE BRIGGS 895CC GAS	1
7	22097-010	BATTERY CABLE POSITIVE 43IN UL	1
8	57199-000	HHCS 5/16-24X5/8	4
9	62286-012	HOSE, 1/2"ID NEOPRENE	1
10	62999-004	HOSE CLAMP .69 OD	1
11	93704-000	SOC.HCS 3/8-16X1	4
12	95901-002	BATTERY TERMINAL BOOT - RED 2-1AWG	1
13	300349	OIL DRAIN VALVE	1
14	300349-1	OIL DRAIN ADAPTER	1
15	350590-20	MUFFLER, CRITICAL GRADE	1
16	48602-003	TERMINAL FEMALE 16-14 AWG .250 TAB	1
17	48602-011	TERM MALE 12-10AWG .250X.032	1

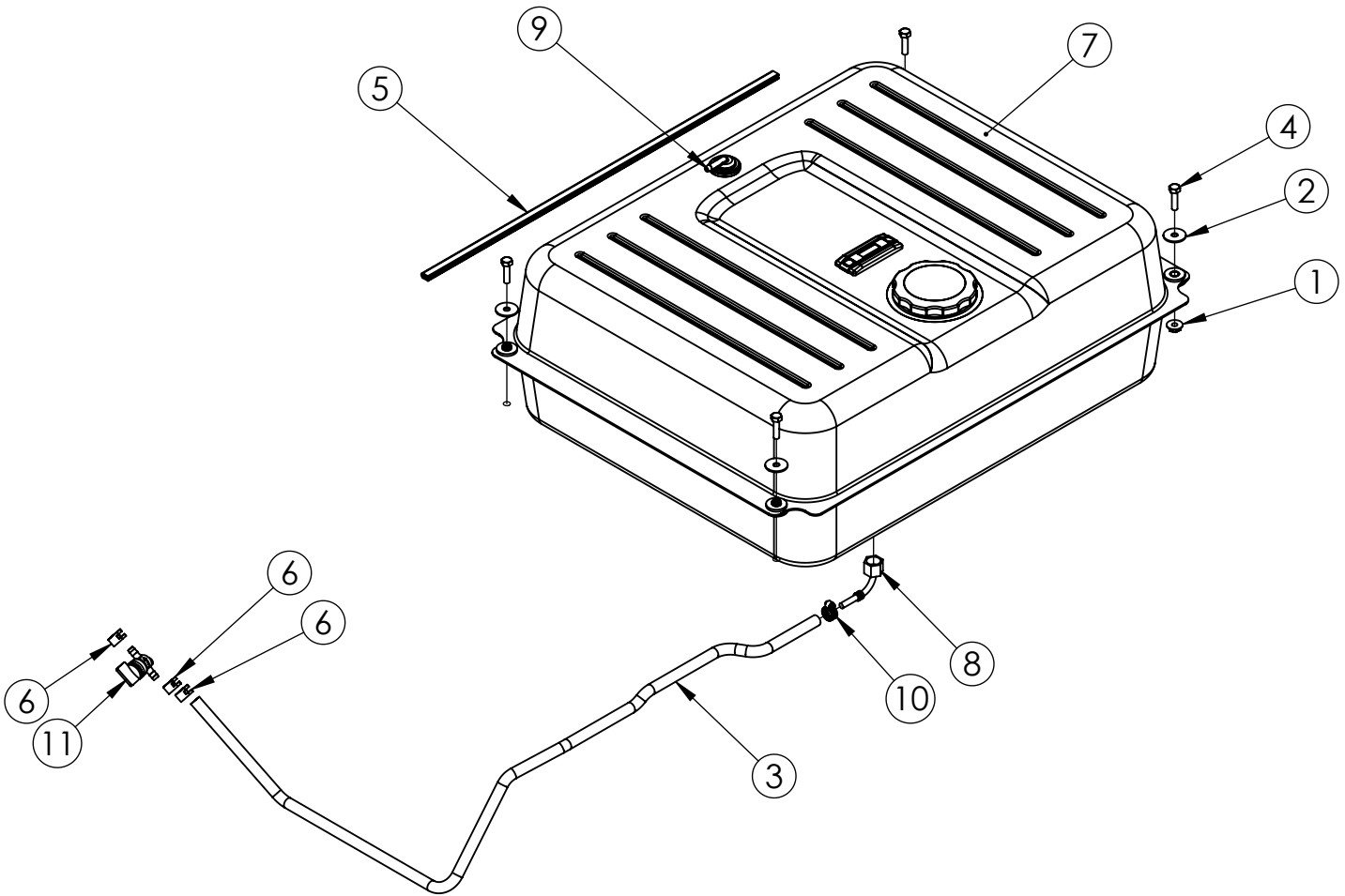
Engine



PART NUMBER	DESCRIPTION	QTY
2-103	AIR FILTER	1
2-104	PRE-FILTER	1
2-105	OIL FILTER	1
2-106	FUEL FILTER	1
2-109	SPARK PLUG	1
2-114	FUEL PUMP	1
2-102	EXHAUST MANIFOLD GASKET	2
24018-100	KEY SET	1

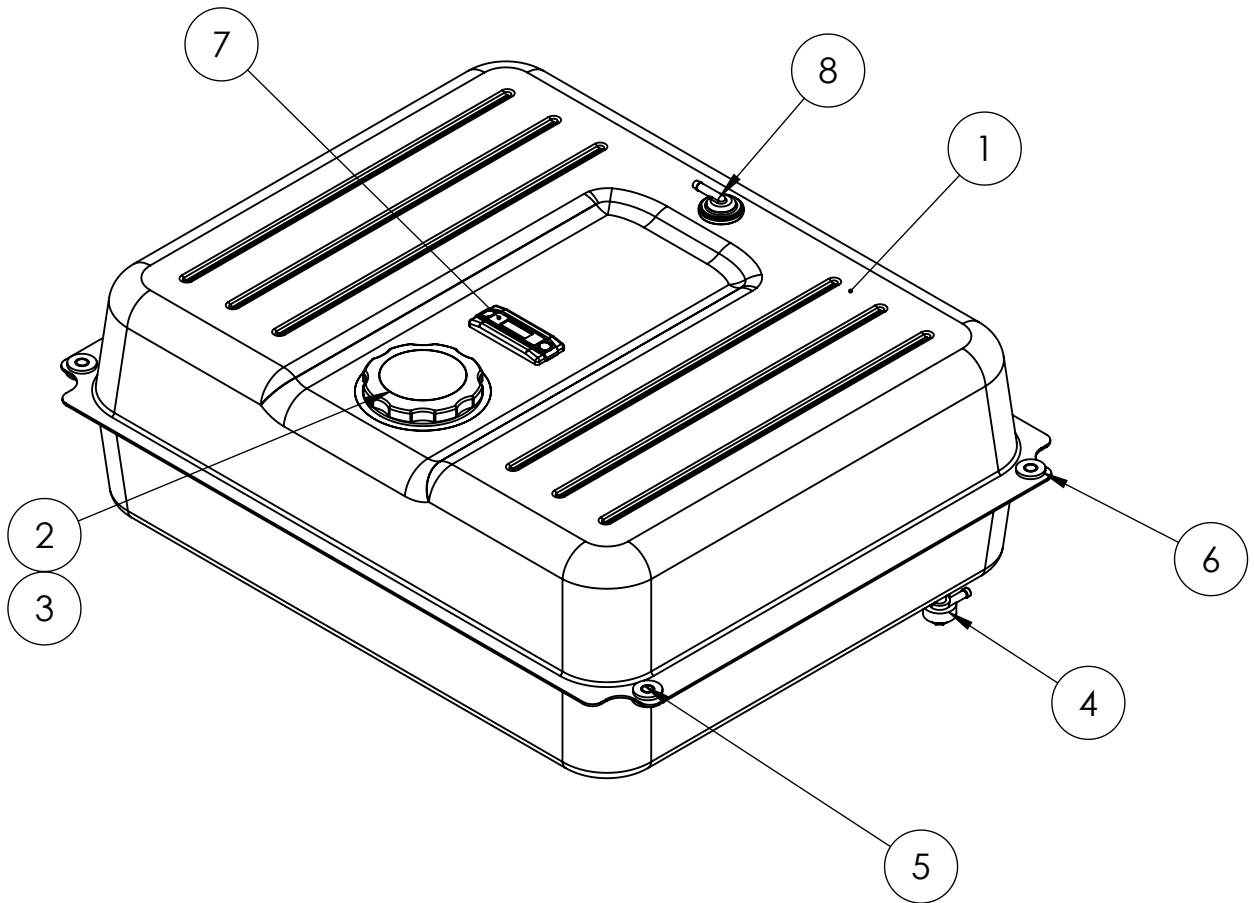
Contact WINCO service or your Briggs & Stratton dealer for full engine part support.

Fuel System



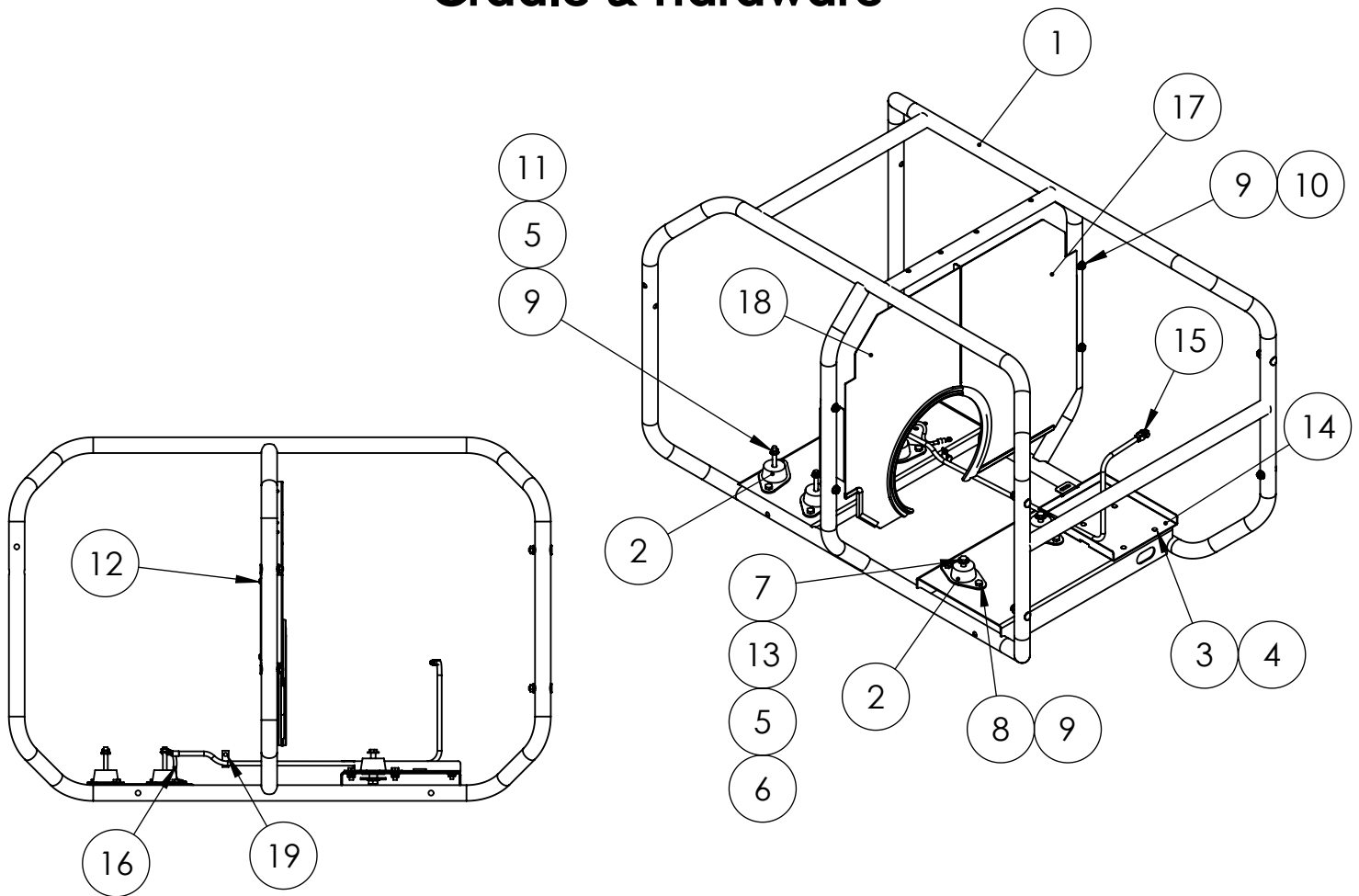
ITEM NO.	PartNo	DESCRIPTION	QTY.
1	16248-000	.25-20 FLANGE NUT	2
2	267-002	FLAT WSH 9/32X1X.063	4
3	40078-030	1/4IN ID HOSE 35.5IN	1
4	439-000	.25-20 X 1 HHB	4
5	58684-031	EDGE TRIM 22"	1
6	62999-001	HOSE CLAMP .5 OD RED	3
7	64024-014	FUEL TANK 15 GAL. STEEL GASOLINE	1
8	64024-101	90 DEGREE FUEL TANK ELBOW	1
9	80903-002	SLOSH VALVE 1/4" HOSE	1
10	81018-009	HOSE CLAMP .625-.250	1
11	98771-005	FUEL VALVE 1/4" HOSE BARB	1
12	479-000	LOCK WASHER, .25" SPLIT	2

Fuel Tank



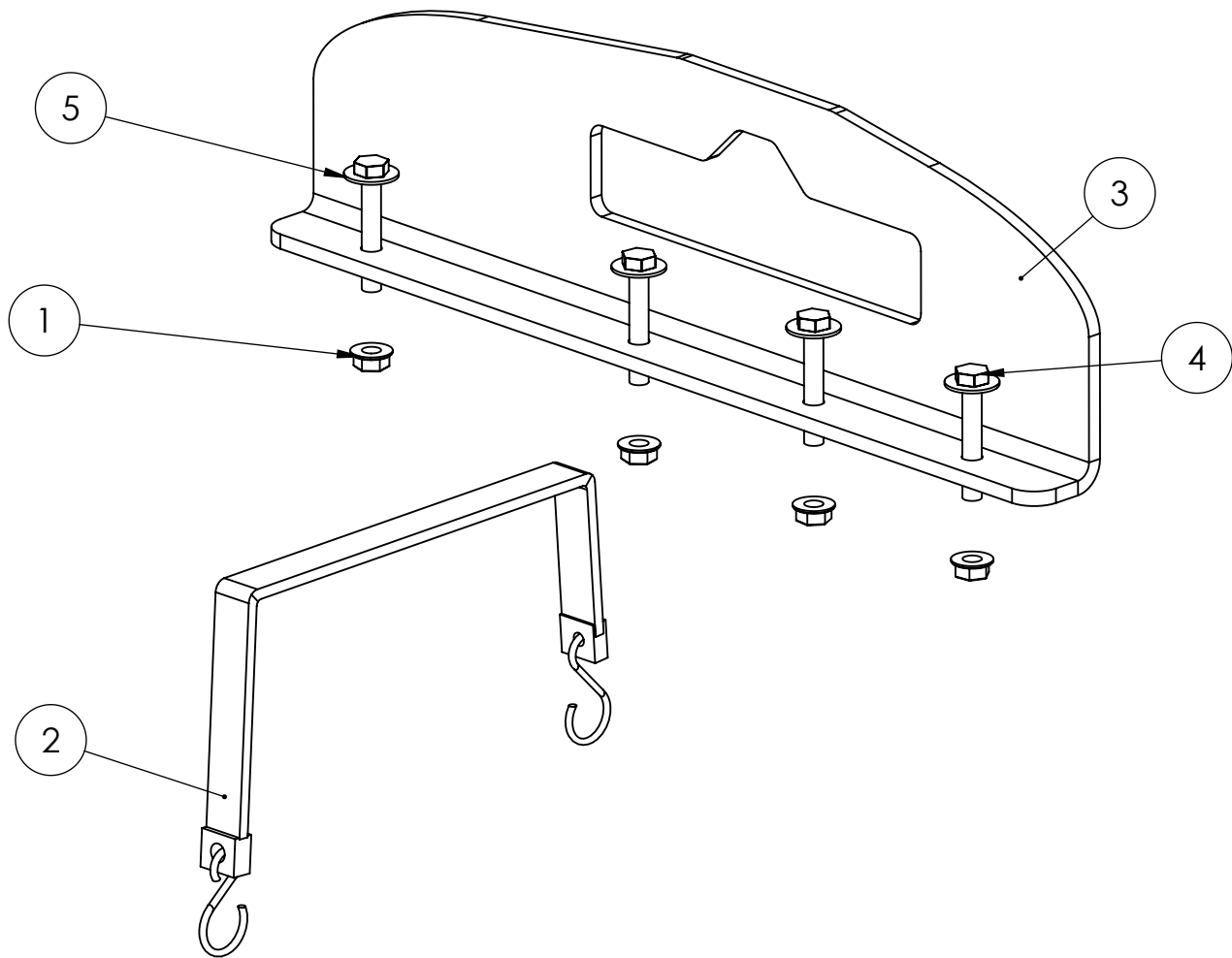
ITEM NO.	PartNo	DESCRIPTION	QTY.
1	64024-014	FUEL TANK 15 GAL. STEEL GASOLINE	1
2	64024-401	FUEL CAP, SEALED, AUDIBLE, TETHERED	1
3	64024-403	FUEL FILL FILTER	1
4	64024-404	168B FUEL CONTROL VALVE	1
5	64024-405	ANTI-CRUSH INSERT	4
6	64024-406	RUBBER BUSHING	4
7	64024-407	FUEL LEVEL GAUGE, 180MM	1
ALL ITEMS LISTED IN THE TABLE ABOVE ARE INCLUDED WITH A 64024-14 FUEL TANK PURCHASE			
8	80903-002	SLOSH VALVE 1/4" HOSE	1
9	62273-262	TOUCH UP PAINT, BLACK 3048	

Cradle & Hardware



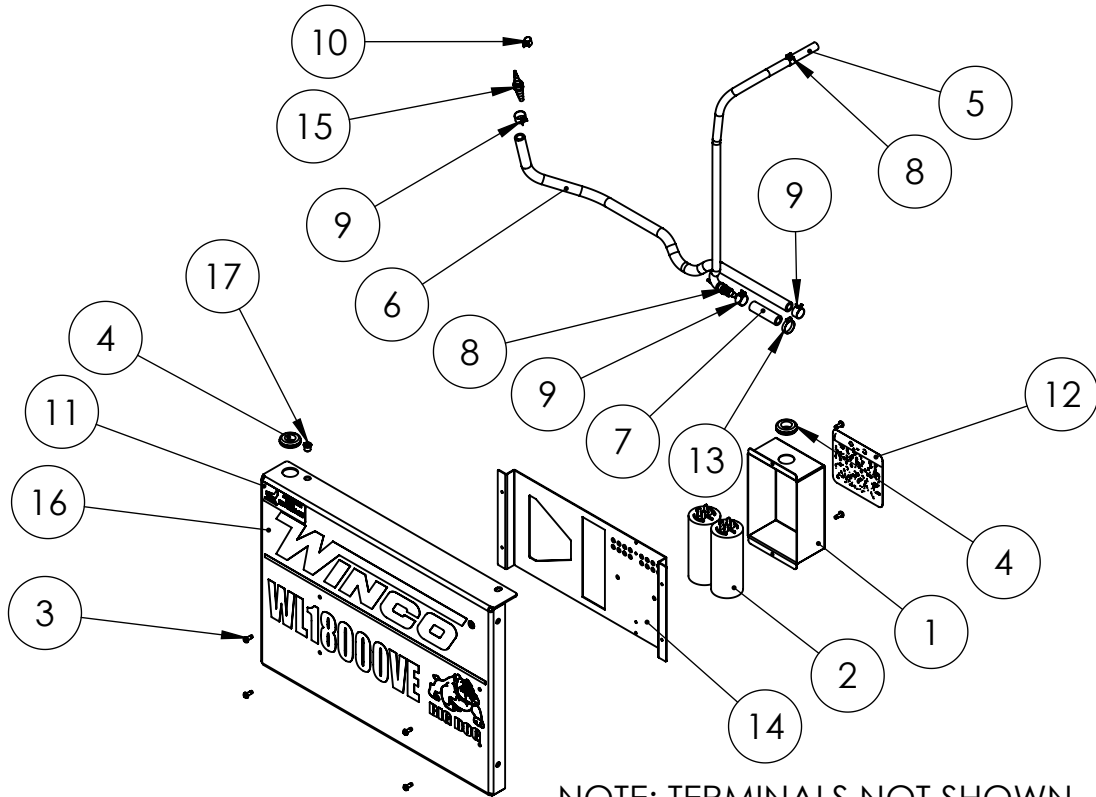
ITEM NO.	PartNo	DESCRIPTION	QTY.
1	63073-064	WL22000 WELDED CRADLE	1
2	98807-000	SHOCKMOUNT 40 DURO	6
3	94980-001	THREAD STUD .25-20X.625	4
4	16248-000	.25-20 FLANGE NUT	4
5	98806-000	WASHER .406 X 2	6
6	16250-000	.375-16 FLANGE NUT	2
7	91658-008	HHCS 3/8-16X2-3/4 GR5	2
8	467-000	HHCS 5/16-18X.75	12
9	16249-000	.3125-18 FLANGE	24
10	23590-002	CURVED HEAD BOLT 5/16-18 X 1 3/4	8
11	91107-000	5/16-18 X 3.5	4
12	21698-001	TORX PAN HEAD SCREW #10	7
13	526-000	5/16 FLAT WASHER	2
14	15676-027	BATTERY TRAY WL22000	1
15	22097-012	BATTERY CABLE NEGATIVE 32IN UL	1
16	9769-145	LEAD WIRE ASSEMBLY	1
17	15687-067	HEAT SHIELD RIGHT WL22000	1
18	15687-068	HEAT SHIELD LEFT WL22000	1
19	97391-007	TUBE CLAMP/CUSH.WIRE 1/2	1

Lifting Eye Assembly



ITEM NO.	PART NUMBER	DESCRIPTION	QTY.
1	16249-000	.3125-18 FLANGE	4
2	16329-001	RUBBER STRAP, BATTERY HOLD DOWN	1
3	300148-29	LIFTING EYE WL22000	1
4	471-000	HHCS 5/16-18 X 2	4
5	526-000	FLAT WASHER 5/16_3/8	4

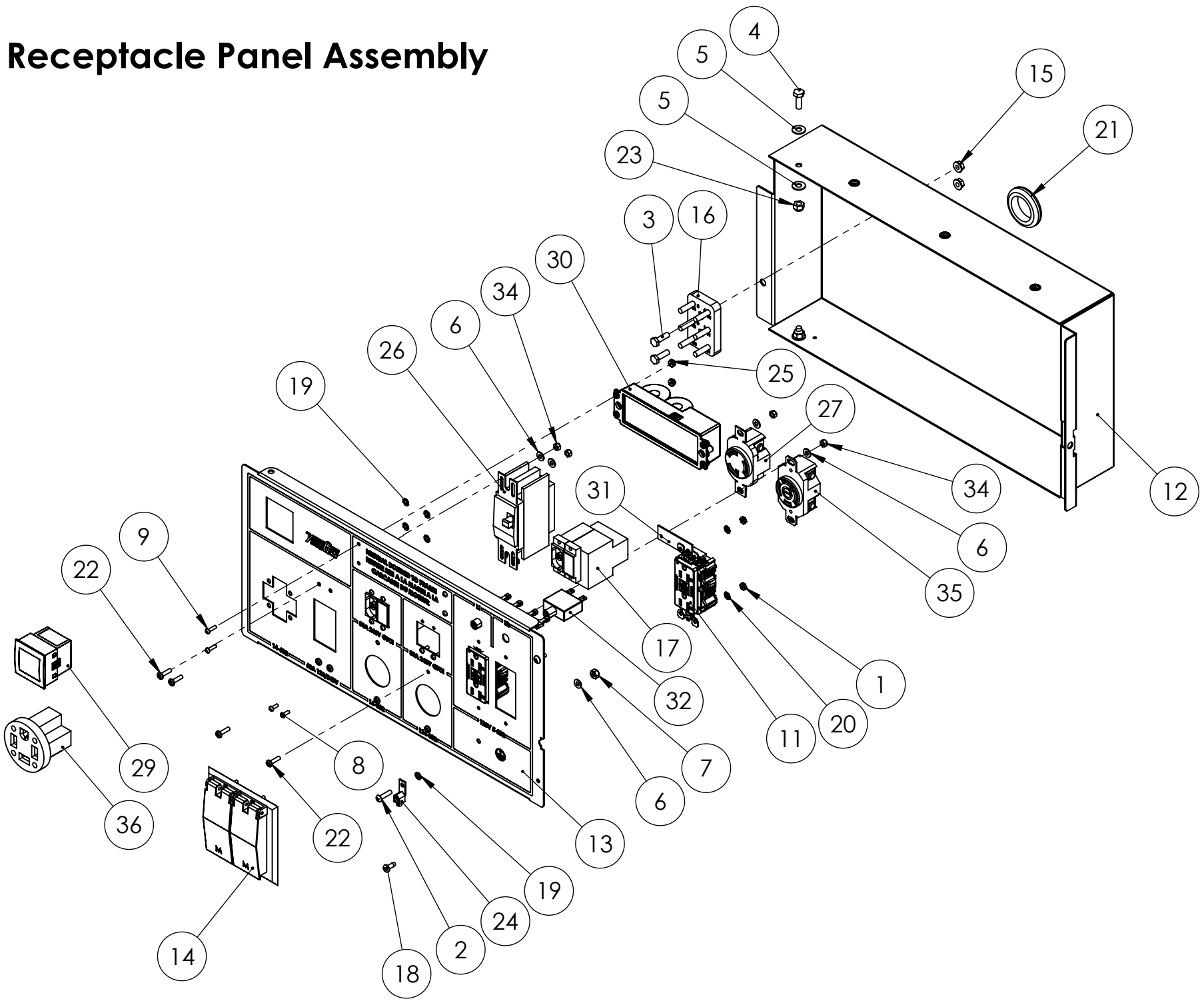
Left Side Panel Assembly



NOTE: TERMINALS NOT SHOWN

ITEM NO.	PartNo	DESCRIPTION	QTY.
1	15224-101	CAPACITOR BOX	1
2	16346-312	CAPACITOR, 40MFD, 425VAC, DRY	2
3	21698-001	TORX PAN HEAD SCREW #10	6
4	23917-000	GROMMET .6875ID X 1	2
5	40078-018	1/4" ID HOSE 26IN	1
6	55505-003	3/8" ID HOSE 24"	1
7	55505-023	HOSE .375 ID RUBBER 2.25IN	1
8	62999-001	HOSE CLAMP .5 OD RED	2
9	62999-004	HOSE CLAMP .69 OD	3
10	62999-005	HOSE CLAMP .41 OD GREEN	1
11	63941-001	DECAL -HOT SURFACES	1
12	63941-013	DECAL CAUTION CAPACITORS	1
13	81018-008	HOSE CLAMP .875-.25	1
14	81900-010	CARBON CANISTER MOUNTING BRACKET	1
15	98590-003	HOSE REDUCER 1/8-5/16 X 1/4-7/16	2
16	300216-42	LEFT SIDE PANEL	1
17	352125-1	1/4-20 RIVIT NUT 22 GA-10GA	1
18	48602-004	TERMINAL MALE 16-14 AWG .250 TAB	4
19	61898-000	TERMINAL FLAG 16/14AWG .250	4

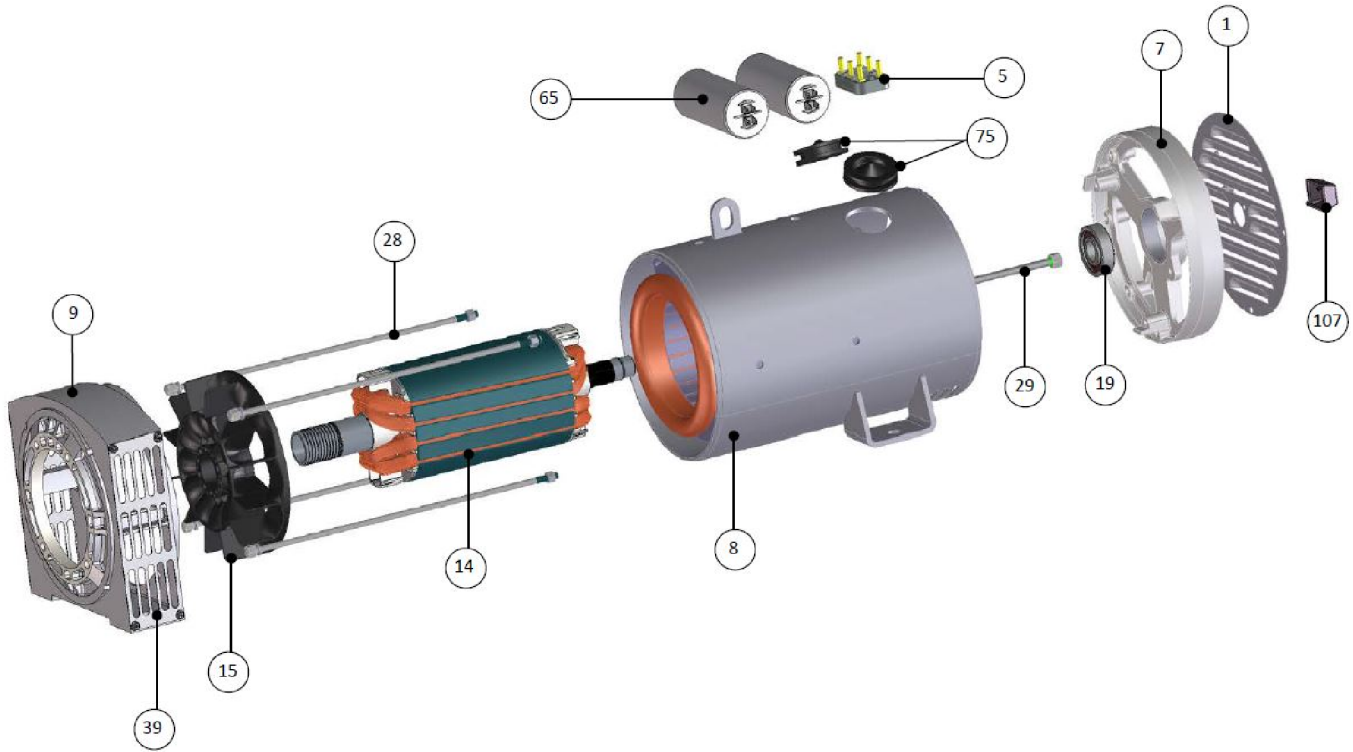
Receptacle Panel Assembly



Receptacle Panel Assembly BOM

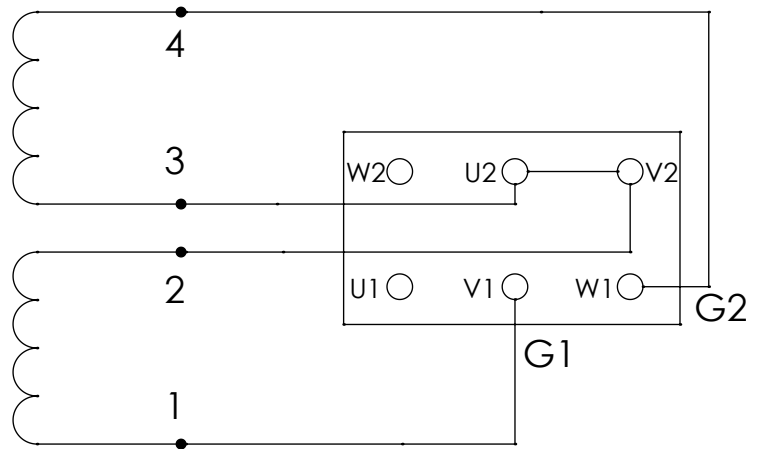
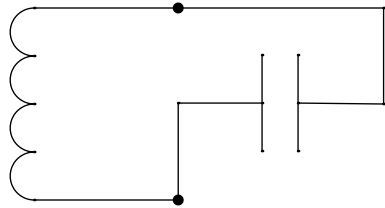
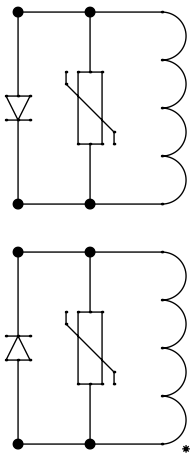
ITEM NO.	PartNo	DESCRIPTION	QTY.
1	394-000	NUT HEX #6-32	4
2	420-001	BZ RHMS 10-24X3/4 PHILLIPS	1
3	75139-020	HHCS M6-1X20MM ZINC	2
4	466-000	.25-20X.75 HHB	2
5	512-000	.25 WASHER	4
6	598-000	#10 WASHER	9
7	5315-000	NUT HEX 10-24 NYLON	1
8	6917-001	RHMS 6-32 X .375 BLACK ZINC	8
9	7792-001	BZ RHMS 6-32X.5	4
10	7792-000	RHMS 6-32 X .625	4
11	15147-003	RECEPTACLE NEMA 5-20R GFCI DUPLEX	2
12	15221-068	RECEPTACLE BOX	1
13	15458-072	RECEPTACLE PANEL WITH SILK SCREEN	1
14	15620-007	GFCI COVER 5-20R 2 GANG MULBERRY	1
15	64841-001	M6-1.0 FLANGE NUT ZINC	2
16	16346-131	TERMINAL BLOCK	1
17	16488-018	CIR.BRK.30A-2PL-240V-GFCI-CARLING	2
18	21698-001	TORX PAN HEAD SCREW #10	2
19	21976-000	#8 LOCKWASHER EXTERNAL TOOTH	5
20	22989-000	#6 LOCKWASHER	4
21	23917-005	GROMMET 1-5/16" ID	1
22	24198-001	BHMS #8-32 x .625 BLACK	8
23	47517-000	.25-20 NYLOCK	2
24	48042-001	TERMINAL, GROUND LUG, 6-14AWG	1
25	51802-000	NUT HEX #6-32 NYLOCK	4
26	57030-005	CIR. BRK. 60A-2PL-240V	1
27	57324-000	NEMA L6-30R	1
28	58165-18	DISPLAY MODULE CABLE	1
29	58166-009	DISPLAY MODULE	1
30	58166-010	TERMINAL BLOCK MODULE	1
31	64045-041	MOUNTING STRAP, 2 HOLE, 1.800 IN	1
32	91286-001	CIRCUIT BREAKER, 20A, 1 PL	2
33	95810-000	CABLE TIE HOLDER	2
34	95985-000	NUT HEX #8-32 NYLOK	8
35	97360-000	RECEPTACLE, NEMA L14-30R 120_240V	1
36	300136	NEMA 14-60R	1
37	4156-000	TERMINAL RING 12-10 #10 STUD	9
38	4160-000	TERMINAL, RING, 16-14AWG, 1/4 STUD	2
39	4158-000	TERMINAL RING 16-14 AWG #10	6
40	20531-000	TERMINAL RING 12-10AWG 5/16 STUD	4
41	22370-007	TERMINAL SPADE 16/14AWG #10STUD	11
42	22370-013	TERMINAL, SPADE, 12-10AWG, #10 STUD	4
43	48602-003	TERMINAL FEMALE 16-14 AWG .250 TAB	4

Generator Information

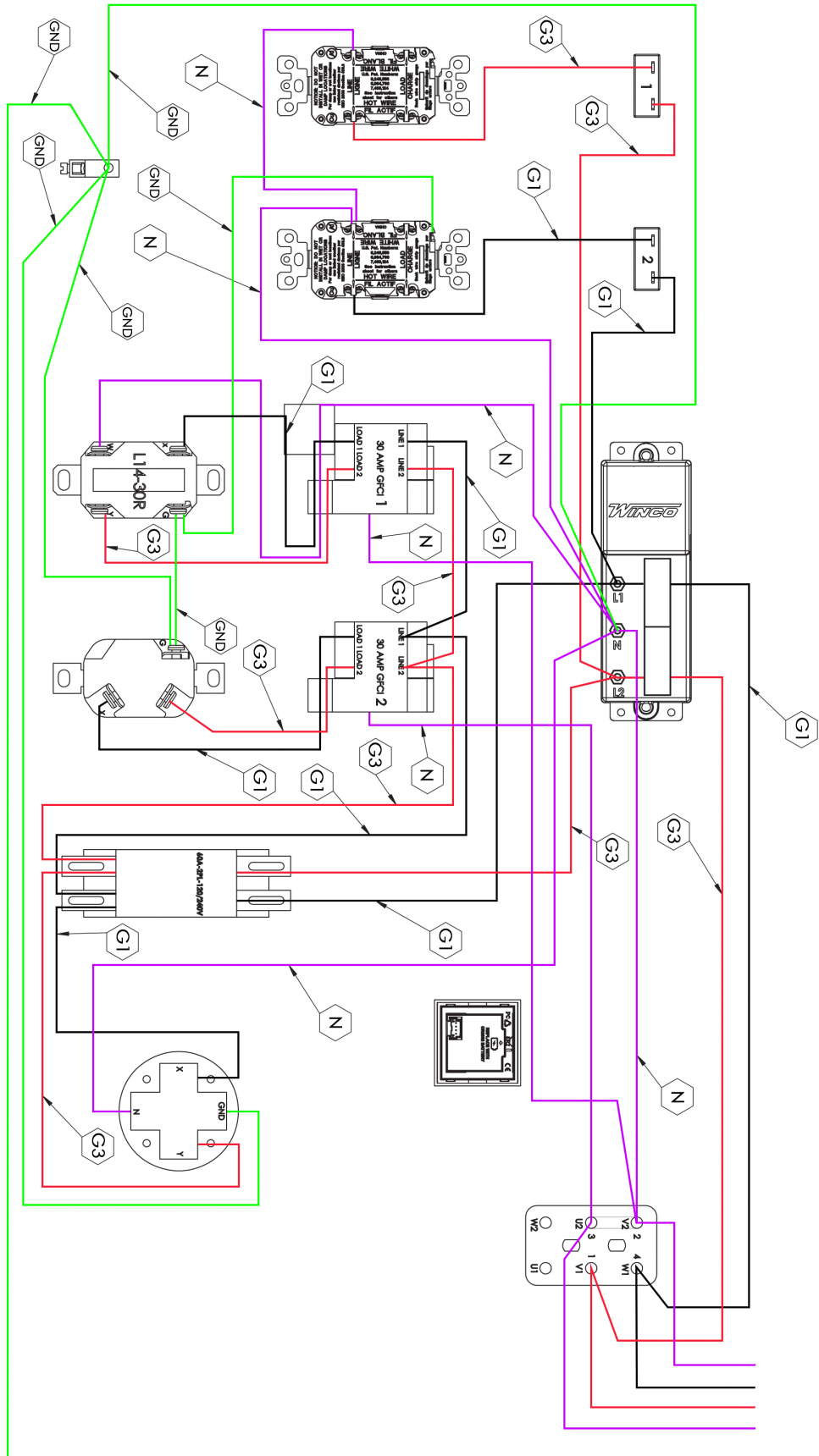


ITEM #	PART NUMBER	QTY	DESCRIPTION
19	54665-005	1	REAR BEARING 6305 2RS
65	16346-312	2	CAPACITOR
75	16346-231	2	CABLE GROMMET

Individual parts not listed here may be obtained from www.meccalte.com. WINCO Inc sells the complete generator end or the individual parts listed above.



Receptacle Panel Wiring Diagram



Capacitor Wiring Diagram

