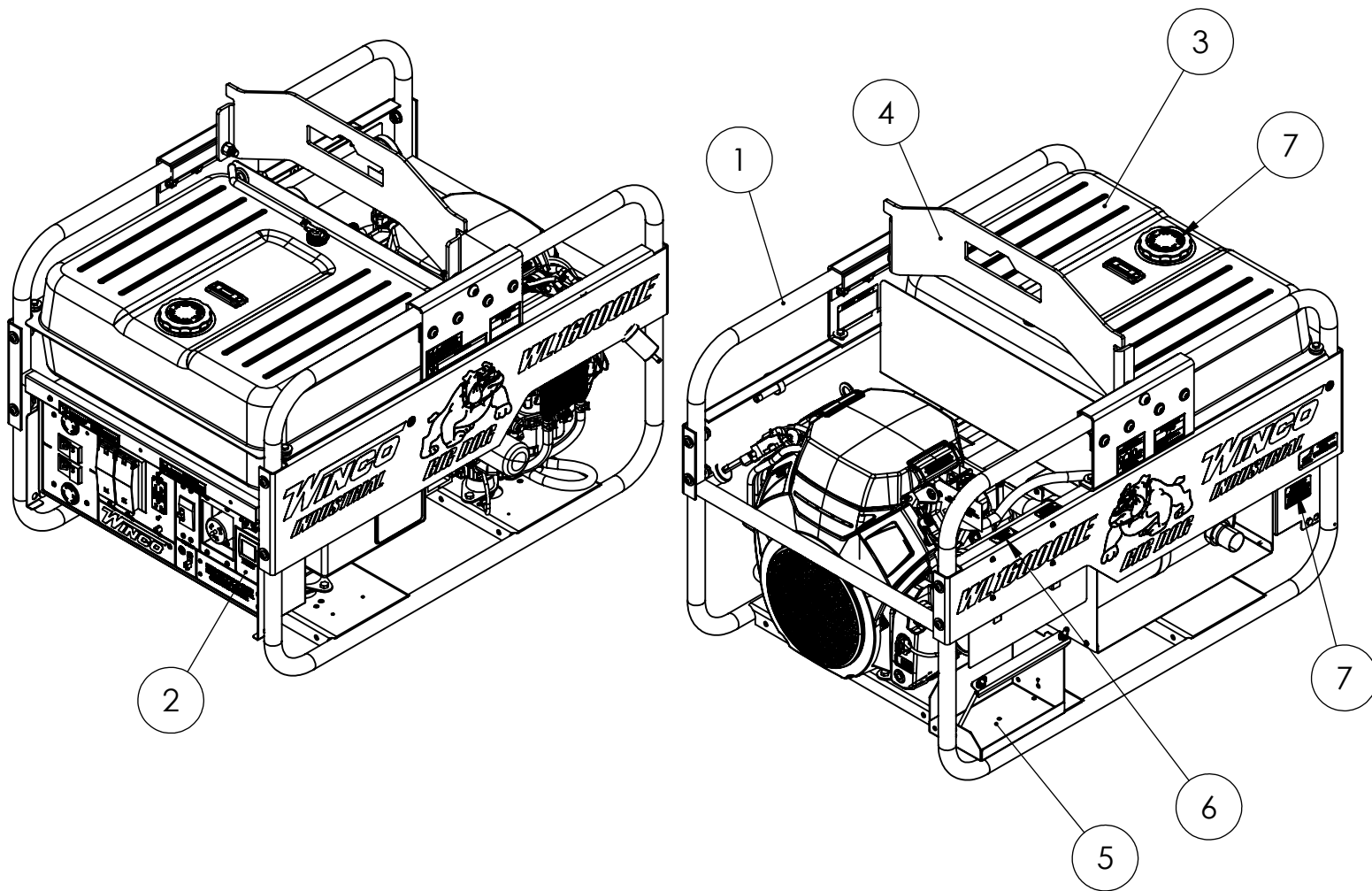


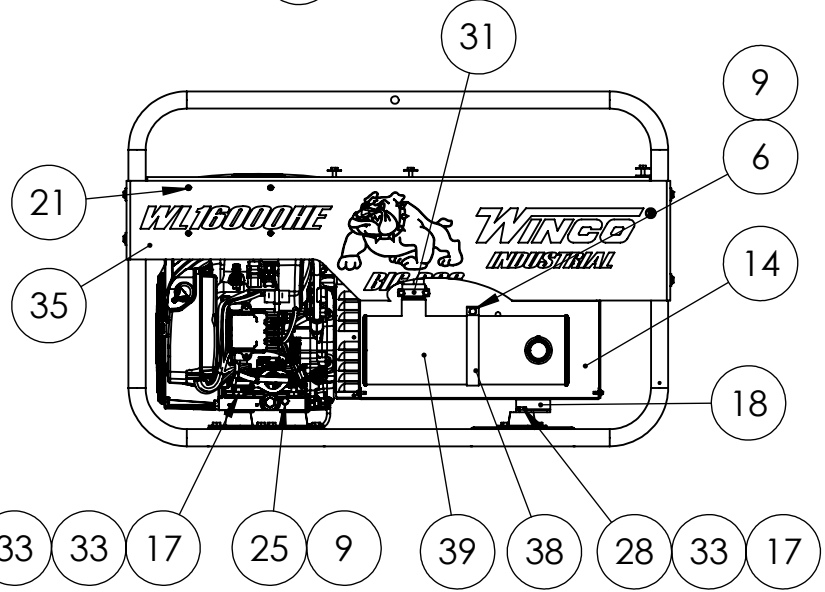
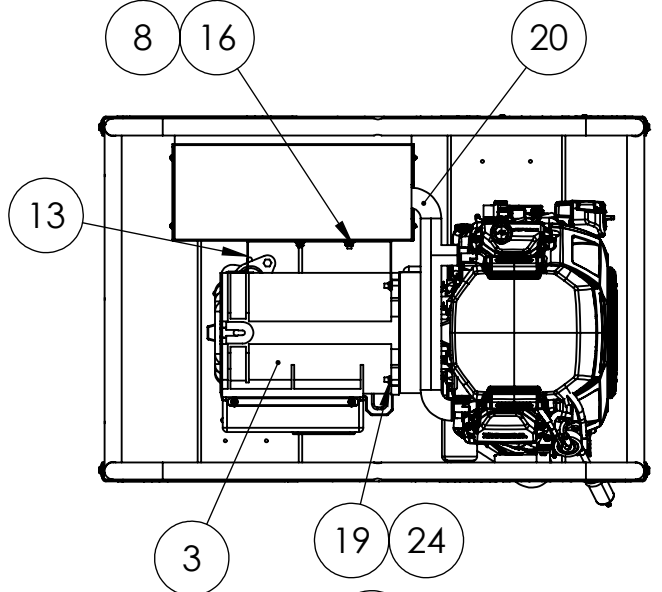
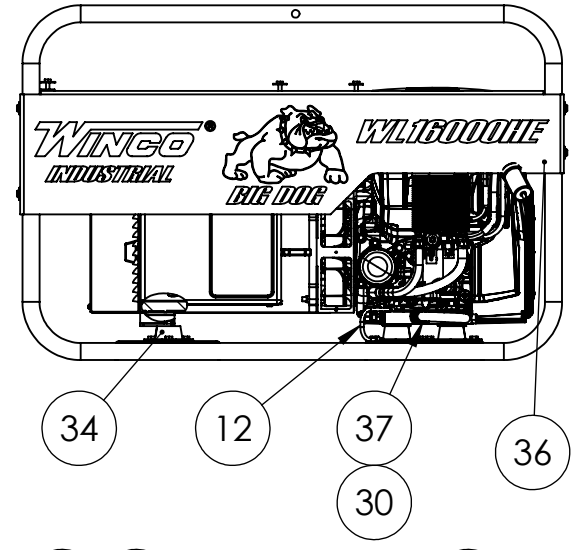
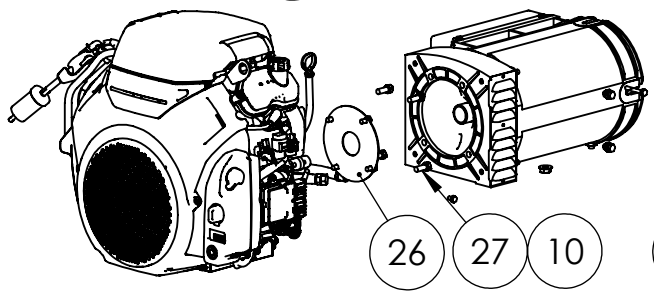
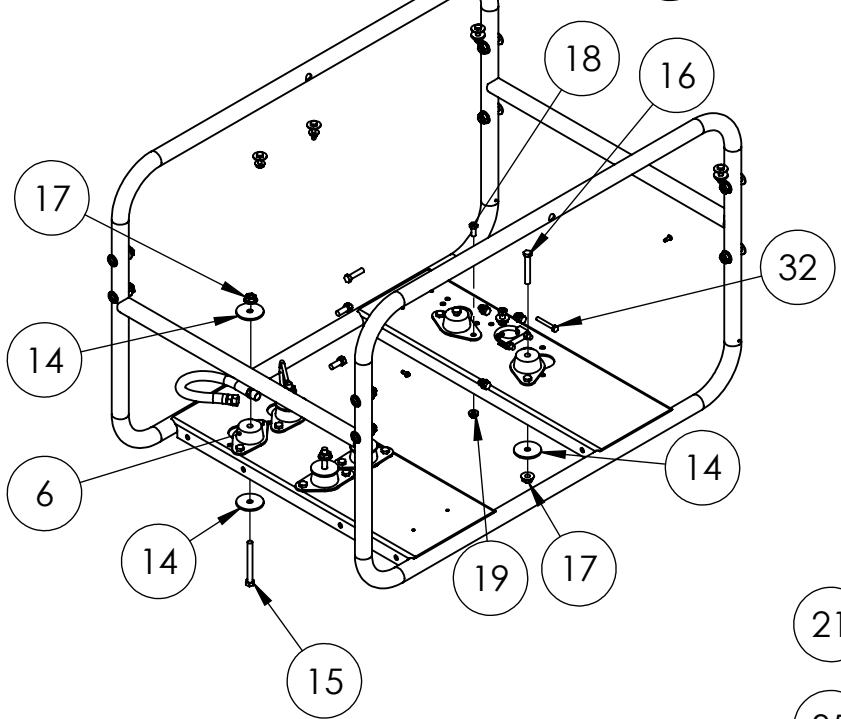
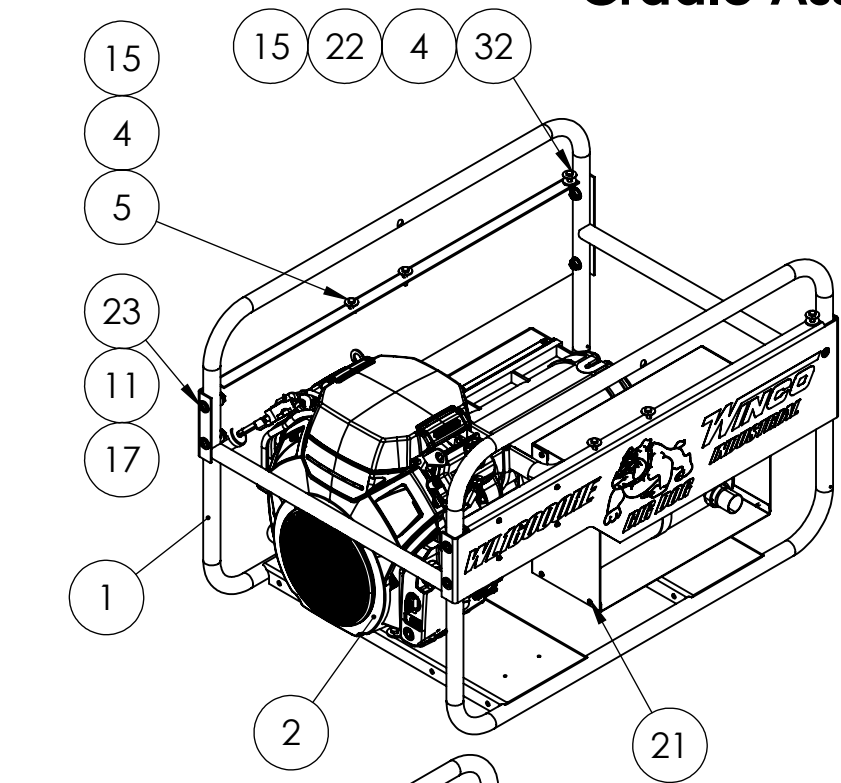
WINCO Service
Phone: 507-357-6831
Email: service@wincogen.com
www.wincogen.com

General Assembly



ITEM NO.	PART NUMBER	DESCRIPTION	QTY.
1	18000-052	ENGINE GENERATOR AND CRADLE	1
2	15457-112	RECEPTACLE ASSEMBLY WL16000	1
3	15163-104	FUEL TANK INSTALLATION	1
4	300144-14	LIFTING EYE ASSEMBLY	1
5	16175-035	BATTERY INSTALLATION	1
6	16200-531	MAINT KIT DECAL	1
7	15715-107	KIT DECALS	1
8	15715-095	DECAL KIT, PACKAGING, BIG DOG STYLE, STACK 2	1
9	300515-30	5W-30 OIL PER GALLON	1.7
10	OPM-151	OPERATORS MANUAL WL16000	1

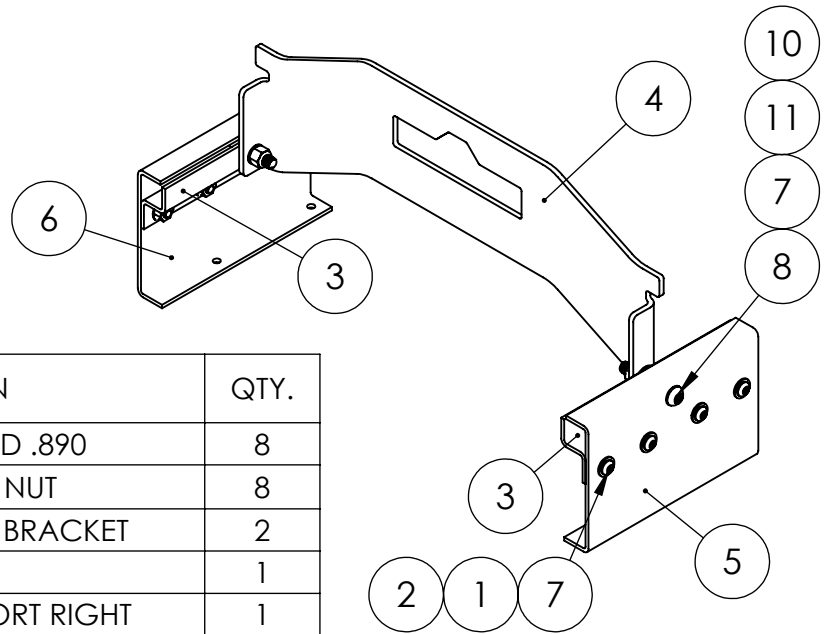
Cradle Assembly



Cradle Assembly Continued.

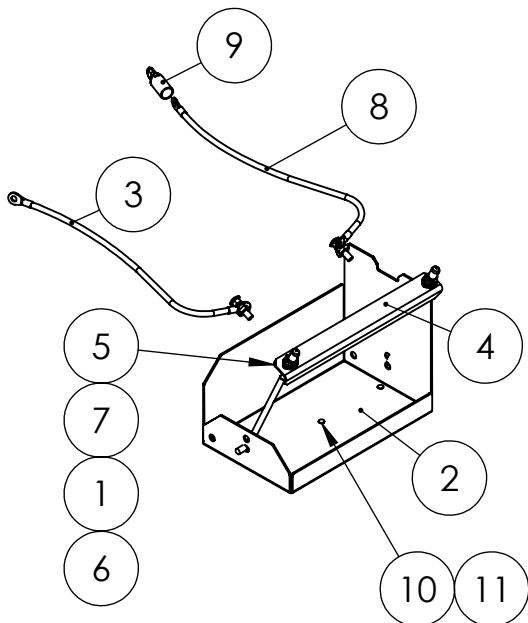
ITEM NO.	PART NUMBER	DESCRIPTION	QTY.
1	63073-045	WELDED CRADLE ASSEMBLY	1
2	15959-010	HONDA iGX800 VXE2	1
3	16428-002	GEN END, 15.5kW, 120/240VAC	1
4	267-002	FLAT WSH 9/32X1X.063	6
5	439-000	HHB .25-20 X 1	2
6	466-001	.25-20X 1.75 HHB	1
7	467-000	.3125-18X.75 HHB	12
8	477-000	HHCS .3125-18X.625	4
9	479-000	LOCK WASHER .25IN ID.	2
10	481-000	LOCK 3/8 SPLIT	4
11	526-000	WASHER ID .375 OD .890	8
12	9769-148	LEAD WIRE ASSY (GROUND)	1
13	15687-069	MUFFLER BRACKET	1
14	15687-071	MUFFLER HEAT SHIELD	1
15	16248-000	.25-20 FLANGE NUT	6
16	16249-000	.3125-18 FLANGE	16
17	16250-000	.375-16 FLANGE NUT	15
18	16335-004	SUPPORT, GENERATOR	1
19	16446-000	M8-1.25 NYLOCK	4
20	16479-011	iGX800 MANIFOLD	1
21	21698-001	TORX PAN HEAD SCREW #10	13
22	23558-000	FLAT WSHR. .3435 X 1 .125 THK. ZINC	2
23	64858-009	BHSCS .375-16 X 2.00 BUTTON HEAD	8
24	64908-001	HHCS M8-1.25X35MM 8.8GR ZINC	4
25	75139-012	HHCS M6-1X12MM ZINC	1
26	83500-001	ADAPTER PLATE ASSEMBLY	1
27	91658-001	HHCS 3/8-16X1	5
28	91658-007	3/8-16X2.5	2
29	91658-014	.375-16X3.5 HHB	4
30	93079-003	OIL DRAIN HOSE 14 INCH .375NPT	1
31	93489-015	1.5ID EXHAUST CLAMP	1
32	95281-000	.25-20X1.25 HHB	4
33	98806-000	WASHER .406 X 2	10
34	98807-000	SHOCKMOUNT 40 DURO	6
35	300216-50	LEFT SIDE RAIL	1
36	300217-50	RIGHT SIDE RAIL	1
37	300349-2	M20X1.50 OIL DRAIN ADAPTER	1
38	350264-17	5IN MUFFLER BRACKET	1
39	350590-24	MUF1859	1

Lifting Eye Assembly



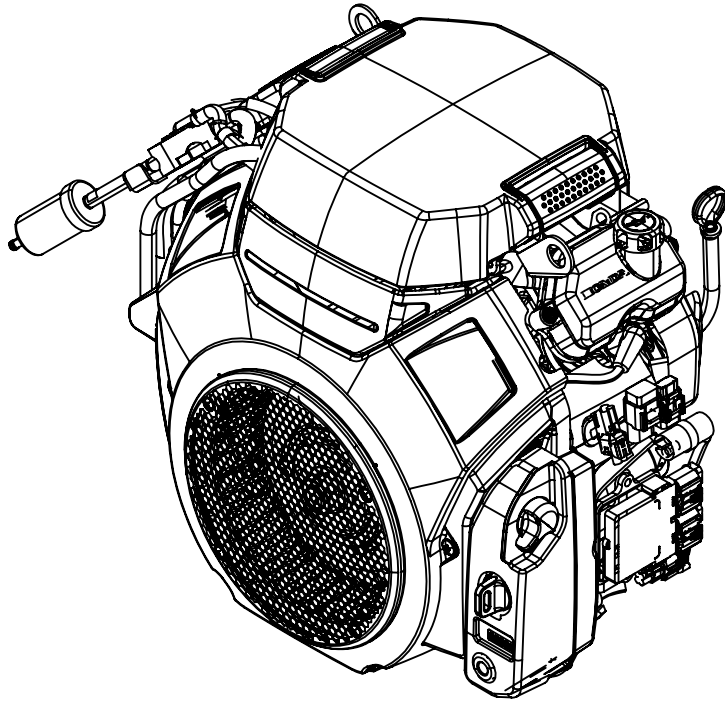
ITEM NO.	PART NUMBER	DESCRIPTION	QTY.
1	526-000	WASHER ID .375 OD .890	8
2	16250-000	.375-16 FLANGE NUT	8
3	300147-6	LIFTING EYE SUPPORT BRACKET	2
4	300148-18	LIFTING EYE	1
5	300149-20	LIFTING EYE SIDE SUPORT RIGHT	1
6	300149-21	LIFTING EYE SIDE SUPPORT LEFT	1
7	21867-000	FLAT WASHER .51 X .88 X .05	4
8	64858-008	BHSCS 1/2-13 X 3.00 BUTTON HEAD SOCKET CAP SCREW	2
7	64858-010	BHSCS 3/8-16 X 0.875	8
10	92242-000	NUT HEX .500-13 NYLOCK	2
11	96286-008	FLAT WASHER NYLON 1.25 OD, .508 ID, .062 THK	2

Battery Installation



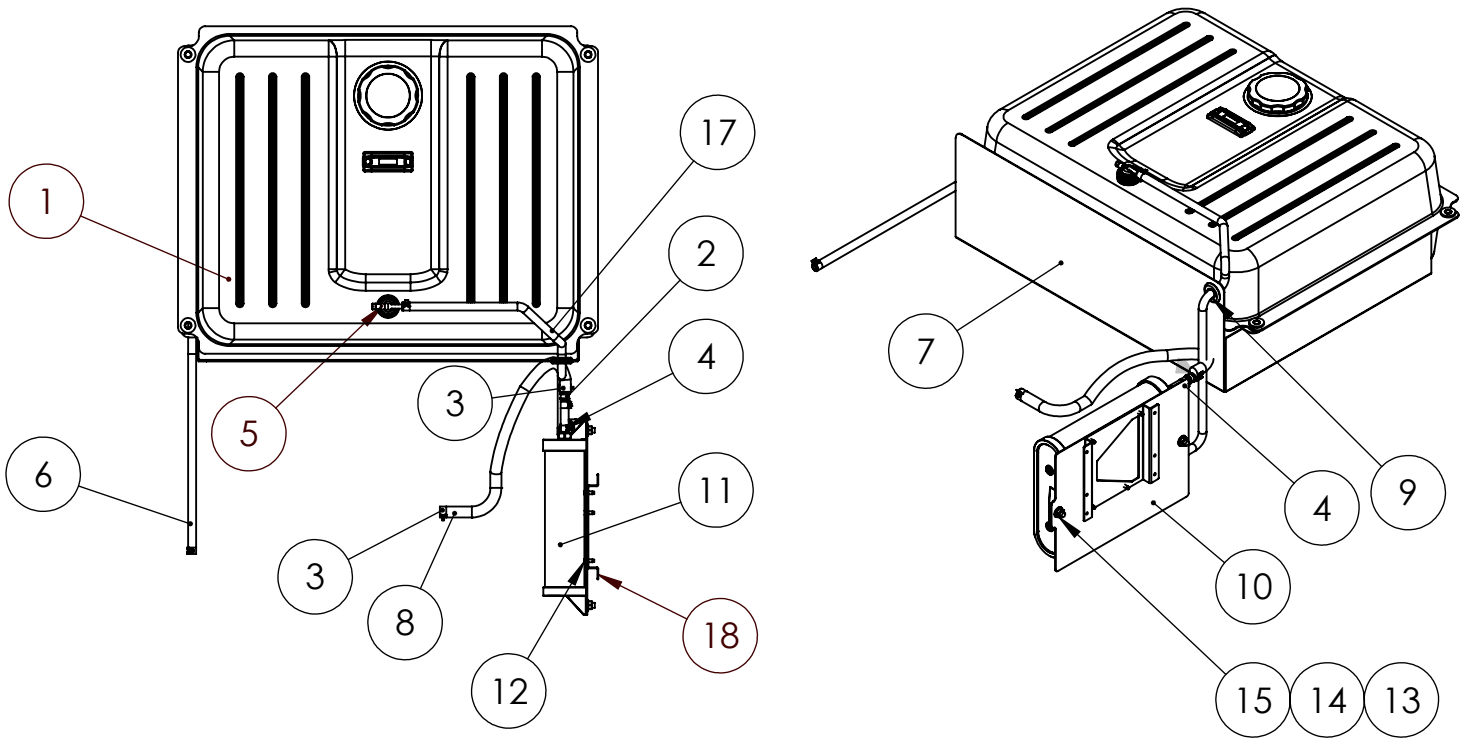
ITEM NO.	PART NUMBER	DESCRIPTION	QTY.
1	6372-000	#10-32 HEX NUT	2
2	15676-029	BATTERY TRAY	1
3	15767-031	(NEG BATTERY CABLE 16 in)	1
4	15807-002	KIT, BATTERY HOLD DOWN	1
5	91410-000	THD.STD. 10-32 X 7/8 SELF-CLINCH	2
6	484-000	LOCKWASHER #10 SPLIT	2
7	511-000	#8 FLATWASHER	2
8	15767-027	(POS BATTERY CABLE)	1
9	16234-000	CAP PLUG	1
10	95568-000	THREAD STUD 10-24 X .625	2
11	99671-000	#10-24 HEX NUT	2

Engine



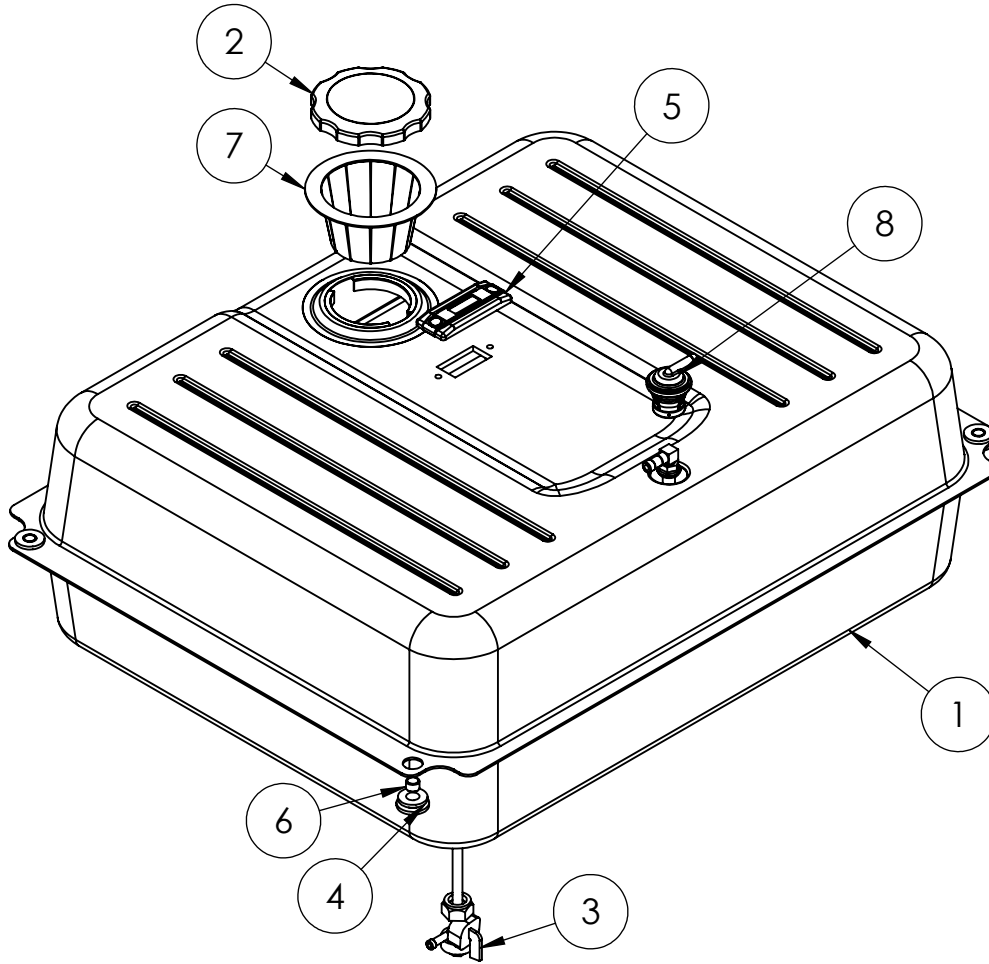
ITEM NO.	PART NUMBER	DESCRIPTION	QTY.
1	1-114	AIR FILTER	1
2	N/A, COMES WITH 1-114	PRE-AIR FILTER	1
3	1-116	SPARK PLUG	2
4	1-131	FUEL FILTER	1
5	1-132	OIL FILTER	1
6	300515-31	ENGINE OIL, 1 QT	2
ALL ITEMS LISTED IN THE ABOVE TABLE ARE INCLUDED WITH A 16200-031 MAINTENANCE KIT PURCHASE			
7	1-141	STARTER MOTOR	1
8	N/A, COMES WITH STARTER	STARTER SOLENOID	1
9	1-142	RECTIFIER REGULATOR	1
10	1-124	FUEL PUMP	1
Contact WINCO service or your Honda dealer for full engine part support.			

Fuel System



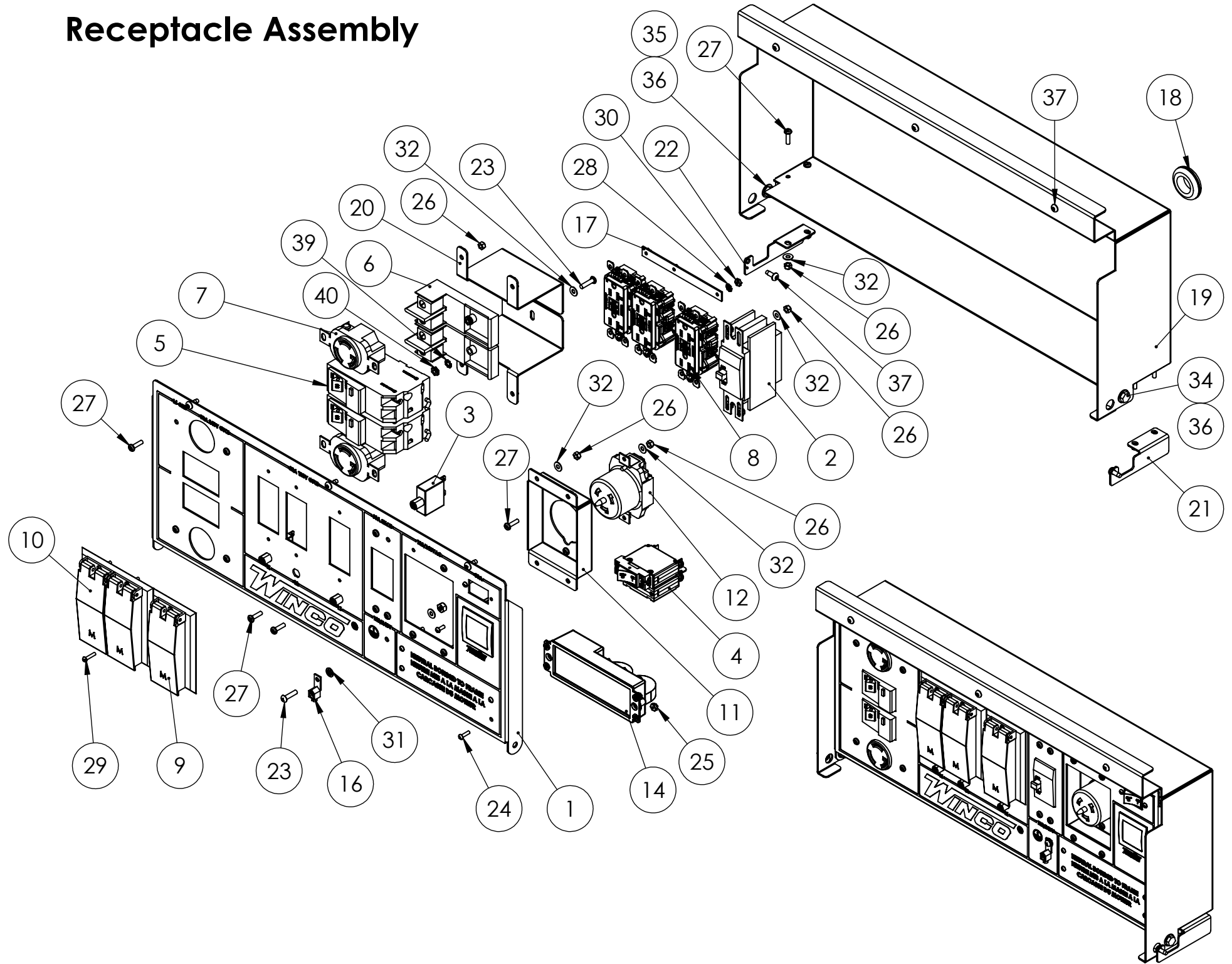
ITEM NO.	PART NUMBER	DESCRIPTION	QTY.
1	64024-014	FUEL TANK 15 GAL. STEEL GASOLINE	1
2	98590-003	HOSE REDUCER 1/8-5/16 X 1/4-7/16	1
3	62999-004	HOSE CLAMP .69 OD	2
4	62999-001	HOSE CLAMP .5 OD RED	6
5	80903-002	SLOSH VALVE 1/4" HOSE	1
6	40078-003	HOSE .25ID RUBBER 20IN	1
7	15462-044	FUEL TANK TRAY 15 GAL	1
8	55505-021	HOSE .375 RUBBER 20IN	1
9	23917-000	GROMMET .6875ID X 1	1
10	81900-011	CARBON CANISTER MOUNTING PLATE	1
11	80900-001	CARBON CANISTER	1
12	21698-001	TORX PAN HEAD SCREW #10	4
13	467-000	.3125-18X.75 HHB	2
14	526-000	5/16 FLAT WASHER	2
15	16249-000	.3125-18 FLANGE	2
16	40078-033	HOSE .25ID RUBBER 2IN	1
17	40078-018	.25IN ID RUBBER HOSE 26IN LONG	1
18	81900-002	CARBON CANISTER BRACKET, WL12	1

Fuel Tank



ITEM NO.	PART NUMBER	DESCRIPTION	QTY.
1	64024-014	FUEL TANK 15 GAL STEEL GASOLINE	1
2	64024-401	FUEL CAP, SEALED, AUDIBLE, TETHERED	1
3	64024-404	168B FUEL CONTROL VALVE	1
4	64024-406	RUBBER BUSHING	4
5	64024-407	FUEL LEVEL GAUGE, 180MM	1
6	64024-405	ANTI-CRUSH INSERT	4
7	64024-403	FUEL FILTER	1
ALL ITEMS LISTED IN THE TABLE ABOVE ARE INCLUDED WITH A 64024-14 FUEL TANK PURCHASE			
8	80903-002	SLOSH VALVE 1/4" HOSE	1
9	61273-262	TOUCH UP PAINT, BLACK 3048	1
11	LD-FV009	90 DEGREE ELBOW	1

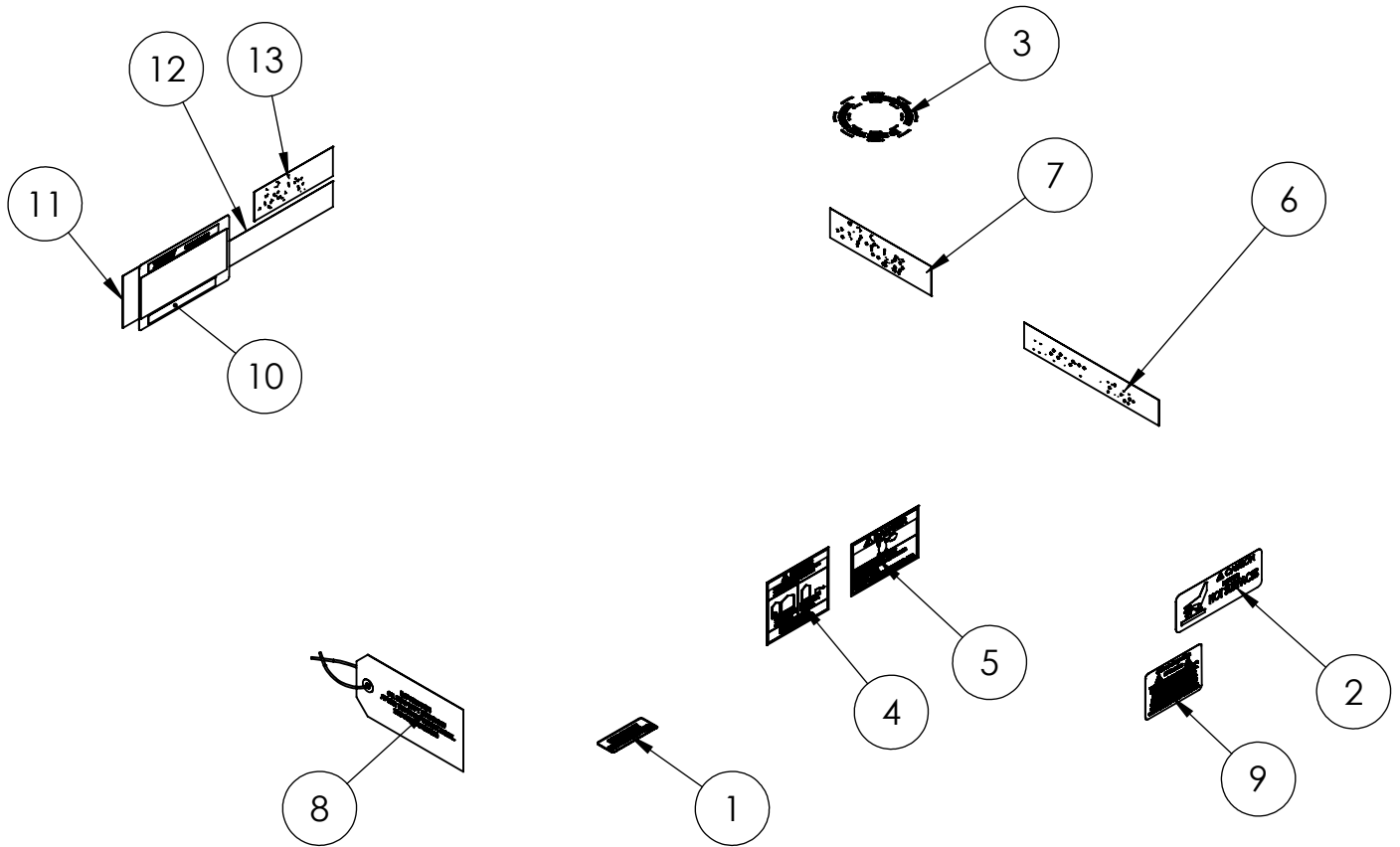
Receptacle Assembly



Receptacle Assembly

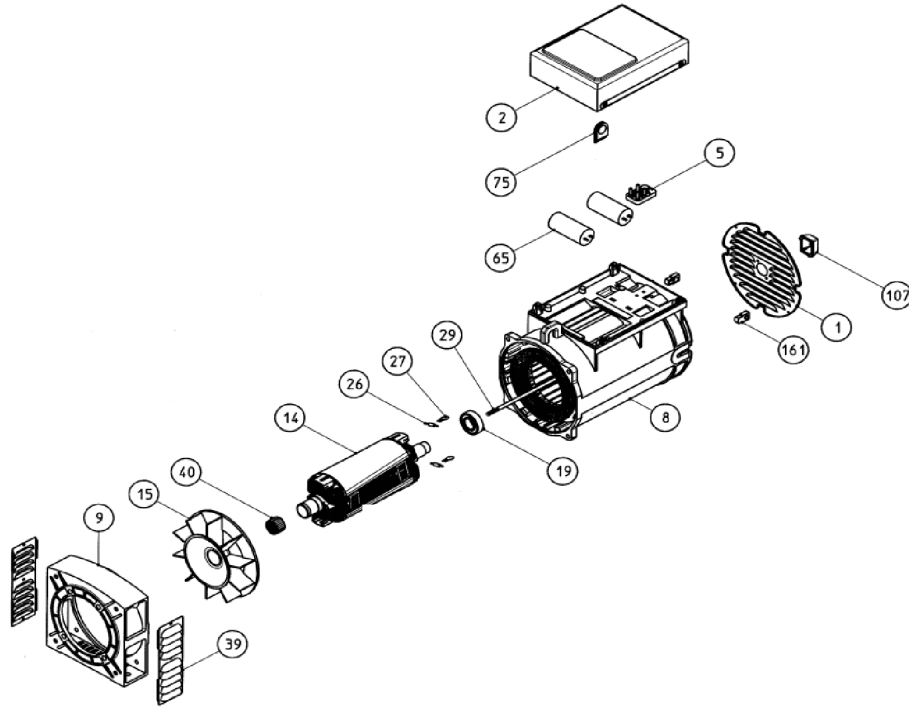
ITEM NO.	PART NUMBER	DESCRIPTION	QTY.
1	15458-112	WL16000 RECEPTACLE PANEL	1
2	57030-005	CIR. BRK. 60A-2PL-240V	1
3	91286-006	CIRCUIT BREAKER 25A-1PL	3
4	16488-023	CIR.BRK.50A-2PL-240V	1
5	16488-000	CIR.BRK.30A-2PL-240V-GFCI	2
6	16489-001	2 POLE CIRCUIT BRK. TERM. BLOCK	2
7	57324-000	NEMA L6-30R	2
8	15147-003	RECEPTACLE NEMA 5-20R GFCI DUPLEX	3
9	15620-006	GFCI COVER 5-20R SINGLE MULBERRY	1
10	15620-007	GFCI COVER 5-20R 2 GANG MULBERRY	1
11	92072-010	50 AMP RECEPTACLE BRACKET	1
12	91889-000	RECEPT 125/250V 50A	1
13	58166-009	DISPLAY MODULE	1
14	58166-010	TERMINAL BLOCK MODULE	1
15	58165-18	DISPLAY MODULE CABLE	1
16	48042-001	TERMINAL, GROUND LUG, 6-14AWG	1
17	64045-043	MOUNTING STRAP, 3 HOLE, 1.80IN AND 2.80IN	1
18	16302-000	GROMMET .875ID X 1.25	1
19	15221-074	RECEPTACLE BOX	1
20	16319-008	CB MOUNTING BRACKET	2
21	15221-076	RECEPTACLE BOX BRACKET RIGHT	1
22	15221-077	RECEPTACLE BOX BRACKET LEFT	1
23	420-001	BZ RHMS 10-24X3/4 PHILLIPS	3
24	7792-001	BZ RHMS 6-32X.5	4
25	51802-000	NUT HEX #6-32 NYLOCK	4
26	95985-000	NUT HEX #8-32 NYLOK	18
27	24198-001	BHMS #8-32 x .625 BLACK	18
28	22989-000	#6 LOCKWASHER	6
29	7792-000	RHMS 6-32 X .625	6
30	394-000	NUT HEX #6-32	6
31	21975-000	#10 INT. TOOTH LOCKWASHER	1
32	511-000	#8 FLATWASHER	17
33	5315-000	NUT HEX 10-24 NYLON	1
34	466-000	.25-20X.75 HHB	2
35	47517-000	.25-20 NYLOCK	2
36	512-000	.25 WASHER	4
37	21698-001	TORX PAN HEAD SCREW #10	8
38	6917-001	RHMS 6-32 X .375 BLACK ZINC	2
39	22423-000	LOCKWASHER #10	2
40	456-000	10-24 HEX NUT	2
41	48602-003	TERMINAL FEMALE 16-14 AWG .250 TAB	4
42	22370-013	TERMINAL, SPADE, 12-10AWG, #10 STUD	6
43	22370-007	TERMINAL SPADE 16/14AWG #10STUD	4
44	4156-000	TERMINAL RING 12-10 #10 STUD	5
45	21114-000	TERMINAL, RING, 8AWG, #10 STUD	11
46	48602-010	TERM FEMALE 10-12AWG .250X.032 TAB	2
47	98787-000	TERM., PIGBACK, 16-14AWG, .250TAB	1

Decals Kit



ITEM NO.	PART NUMBER	DESCRIPTION	QTY.
1	15209-014	DECAL - CHECK OIL	1
2	63941-001	DECAL - HOT SURFACES	1
3	15209-013	DECAL - FUEL TYPE GASOLINE	1
4	64918-000	DECAL-DANGER (CO) USE OUTSIDE	1
5	15209-002	DECAL - DANGER CARBON MONOXIDE	1
6	15209-003	UL-DECAL ELECTRICAL SHOCK CAN KILL	1
7	15209-001	GASOLINE DECAL	1
8	60710-018	OIL WARNING TAG	1
9	15209-036	PROP 65 WARNING DECAL	1
10	63966-004	NAMEPLATE, WINCO PORTABLE	1
11	15209-102	DECAL - DANGER CARBON MONOXIDE	1
12	15209-103	UL-DECAL ELECTRICAL SHOCK CAN KILL	1
13	15209-101	DECAL, GASOLINE DANGER, FRENCH	1

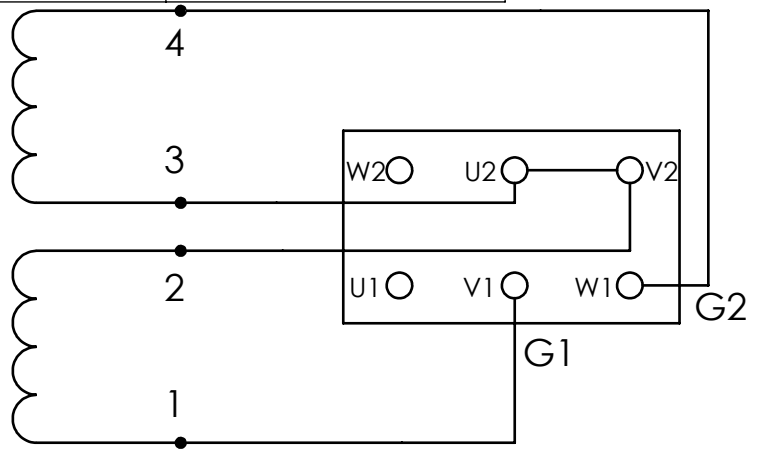
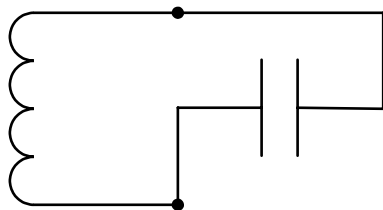
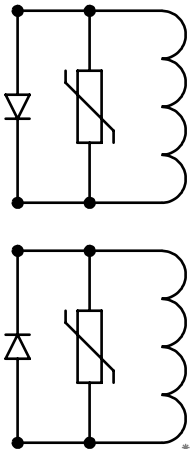
Generator Information



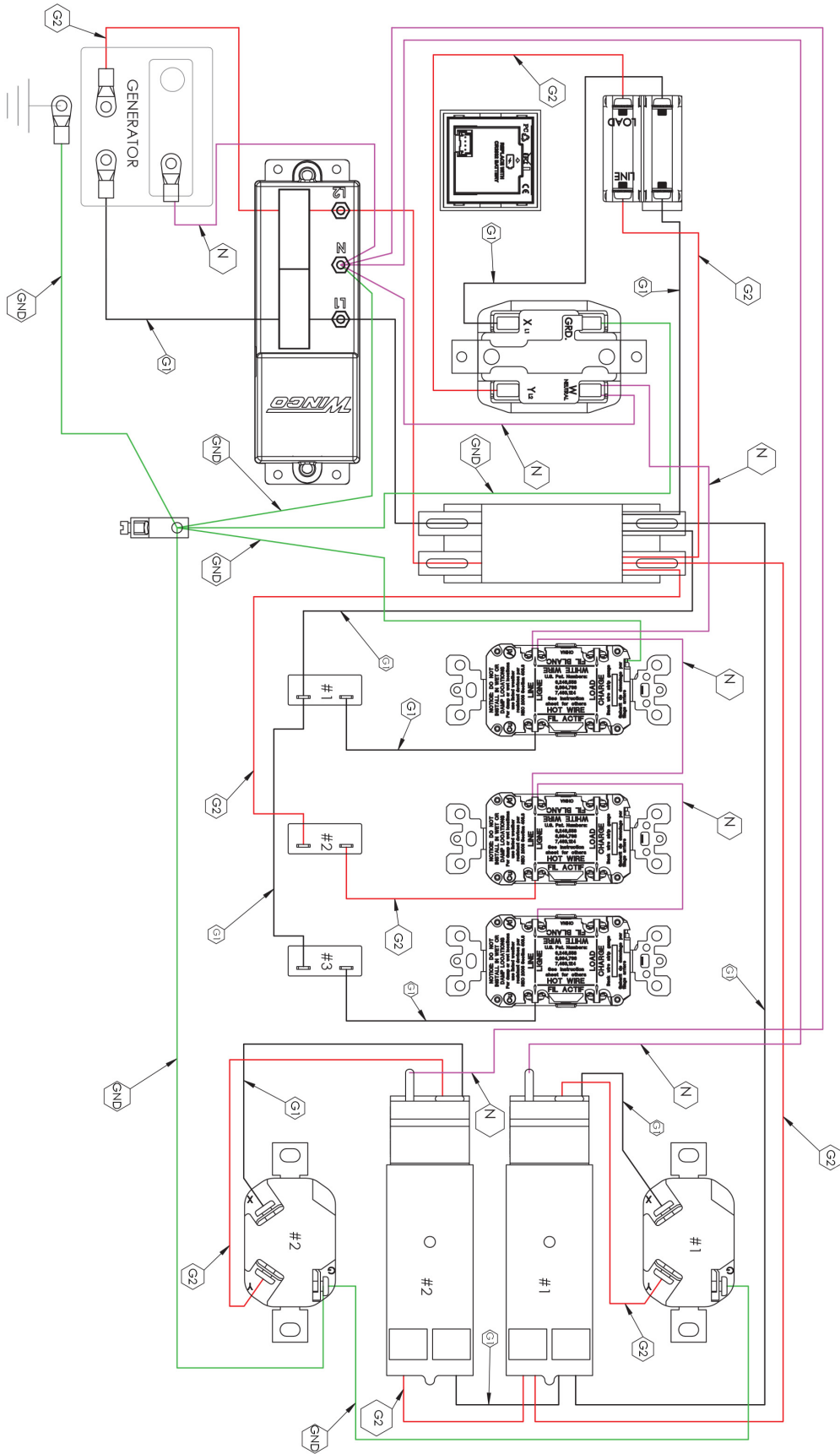
ITEM NO.	PART NUMBER	DESCRIPTION	QTY.
	16428-002	COMPLETE GENERATOR ASSEMBLY	
65	300323-112	31.5 μ F CAPACITOR	1
65	300323-212	35 μ F CAPACITOR	2
19	54665-000	BEARING	1
26	300323-207	DIODE	2
27	16346-106	VARISTER	2

Individual parts not listed here may be obtained from www.meccalte.com Winco Inc. sells the complete generator end or the individual parts listed above.

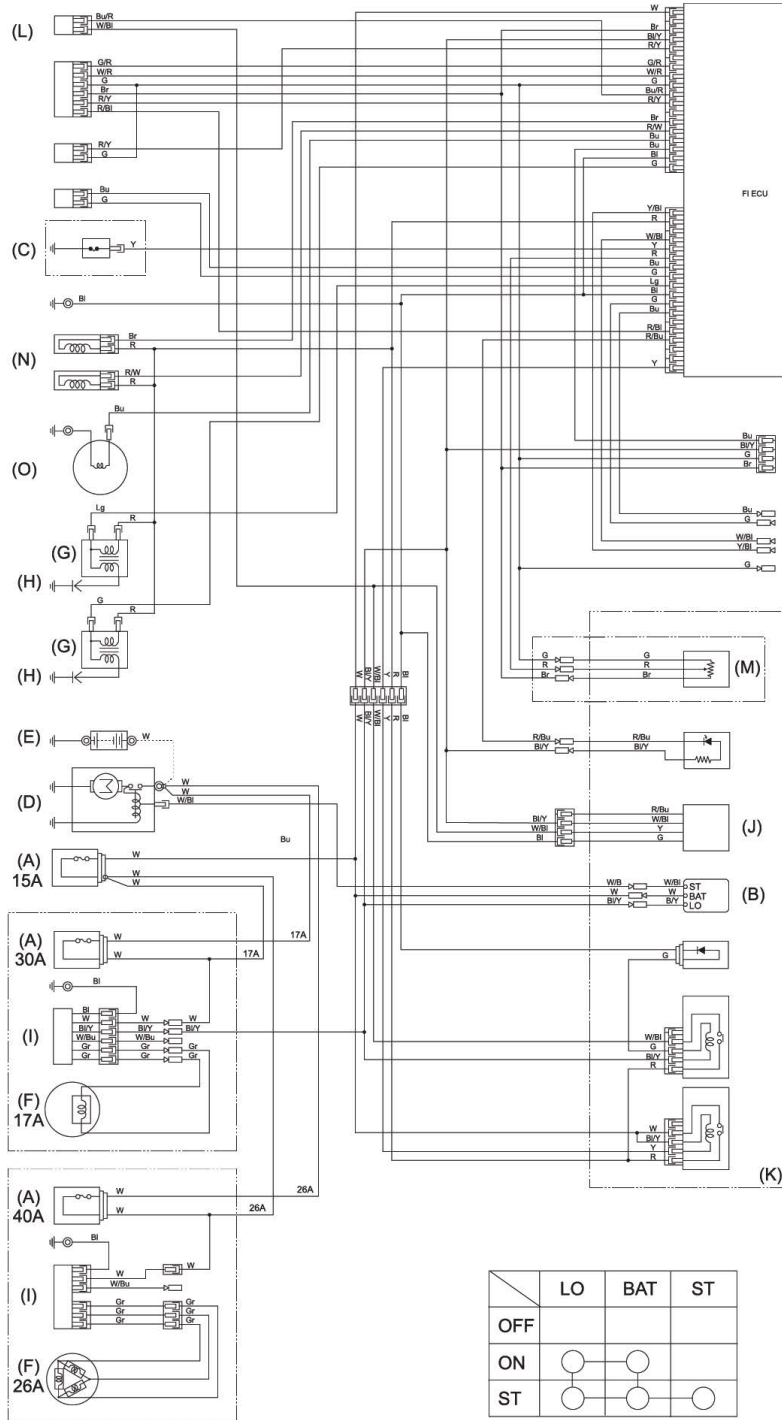
EXPECTED RESISTANCE (Ω)		
ROTOR	STATOR	EXCITATION
8.04 OHMS	0.056 OHMS	0.41 OHMS



Receptacle Wiring



Engine Electrical Schematic



- (A) FUSE
- (B) ENGINE SWITCH
- (C) OIL LEVEL SWITCH
- (D) STARTER MOTOR
- (E) BATTERY
- (F) CHARGE COIL
- (G) IGNITION COIL
- (H) SPARK PLUG
- (I) REGULATOR RECTIFIER
- (J) HOUR METER
- (K) CONTROL BOX
- (L) FUEL PUMP
- (M) THROTTLE CONTROL
- (N) INJECTION
- (O) PULSER COIL

Bl	Black
Br	Brown
Bu	Blue
G	Green
Gr	Gray
Lb	Light blue
Lg	Light green
O	Orange
P	Pink
R	Red
W	White
Y	Yellow

	LO	BAT	ST
OFF			
ON	○	○	
ST	○		○