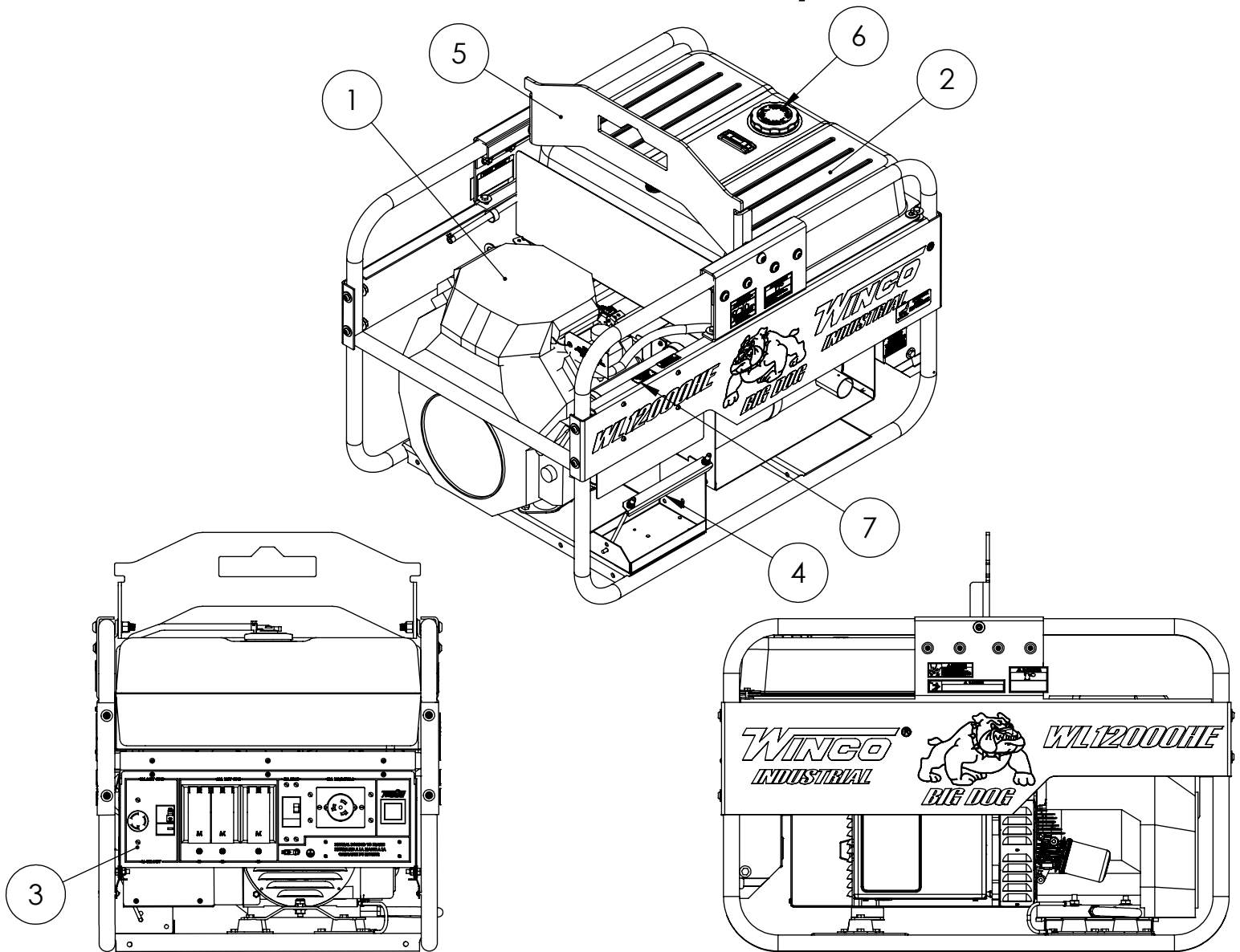


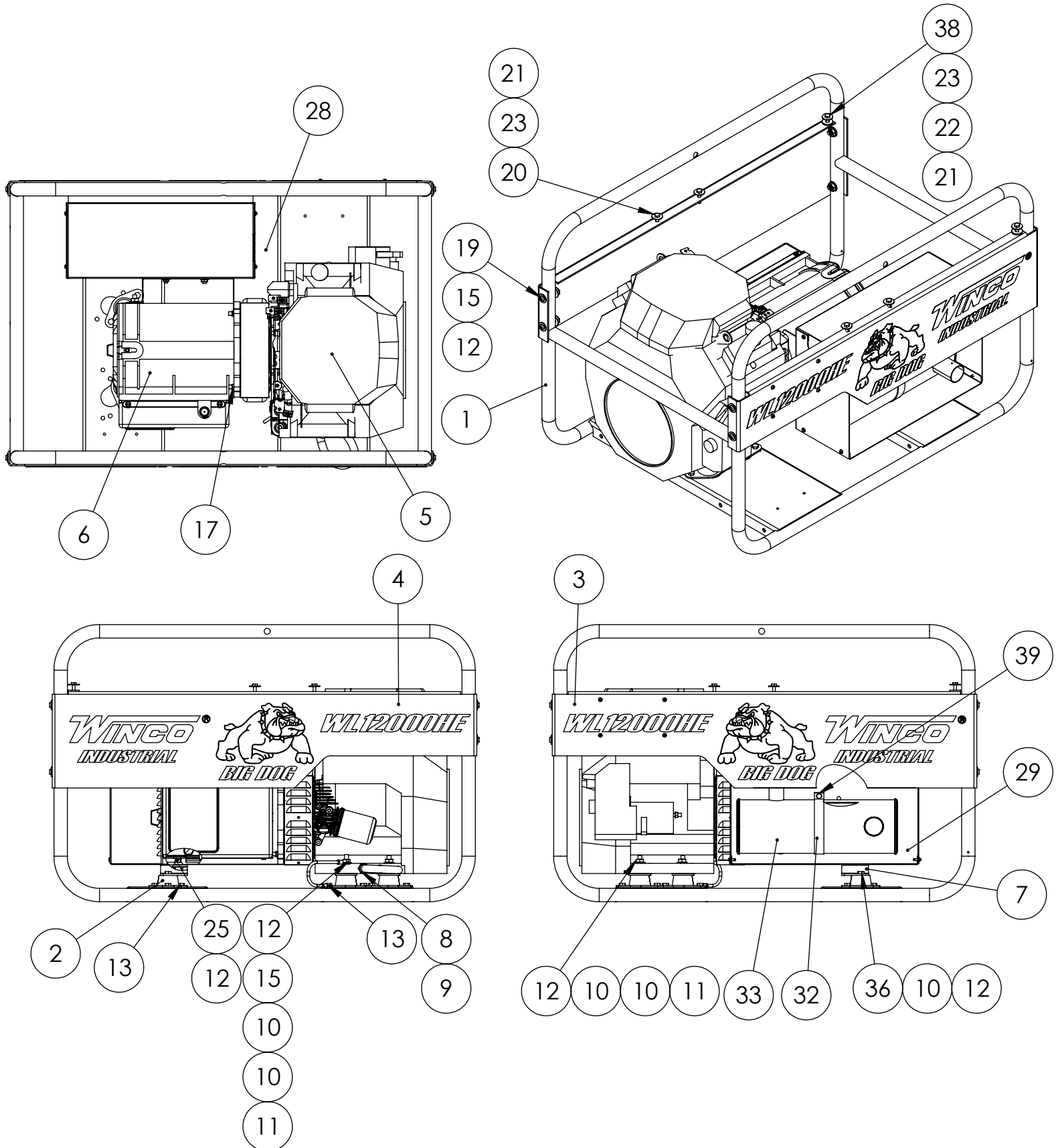
**WINCO Service**  
Phone: 507-357-6831  
Email: [service@wincogen.com](mailto:service@wincogen.com)  
[www.wincogen.com](http://www.wincogen.com)

# General Assembly



ITEM NO.	PART NUMBER	DESCRIPTION	QTY.
1	18000-053	ENGINE GENERATOR AND CRADLE	1
2	15163-105	FUEL TANK INSTALLATION	1
3	15457-109	RECEPTACLE ASSEMBLY	1
4	16175-022	BATTERY INSTALLATION	1
5	300144-14	LIFTING EYE ASSEMBLY	1
6	15715-107	KIT DECALS	1
7	16200-505	MAINTENANCE KIT DECAL	1
8	15715-095	DECAL KIT, PACKAGING, BIG DOG STYLE, STACK 2	1
9	300515-30	5W-30 OIL PER GALLON	0.375
10	OPM-139	OPERATORS MANUAL WL12	1

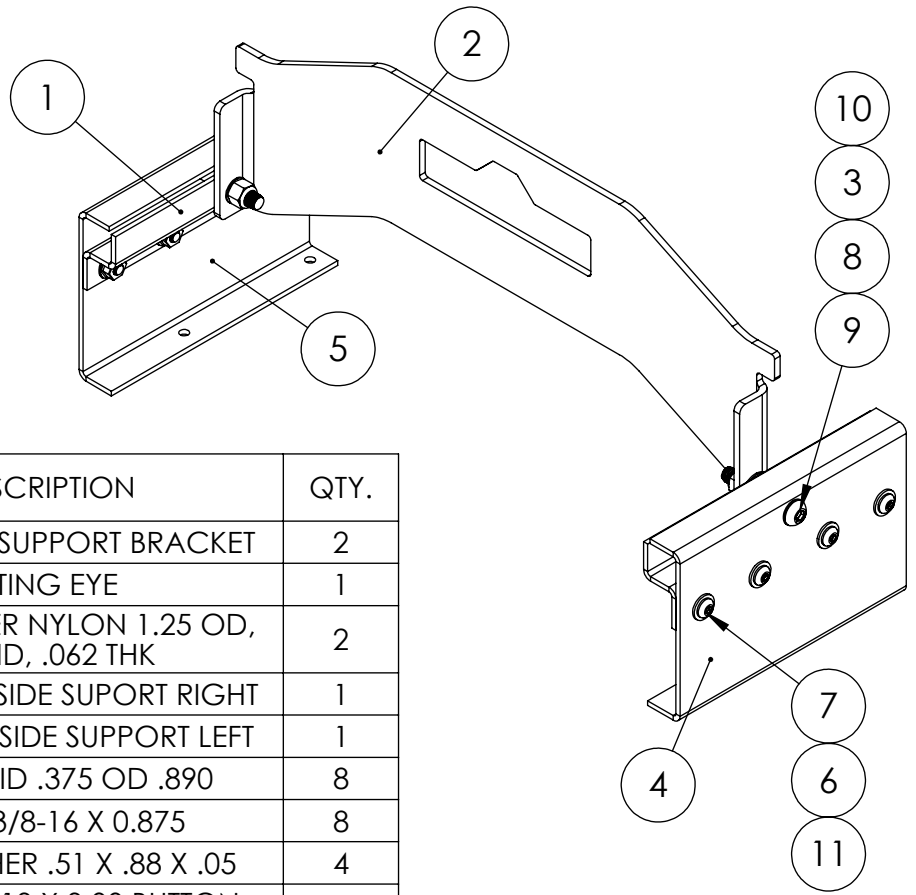
# Engine Generator & Cradle Assembly



# Engine Generator & Cradle Assembly Continued.

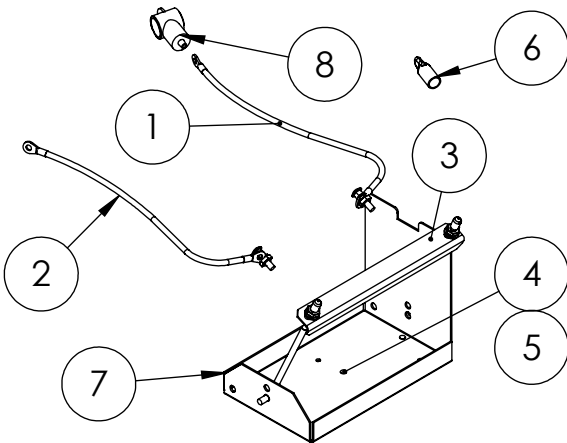
ITEM NO.	PART NUMBER	DESCRIPTION	QTY.
1	63073-045	WELDED CRADLE ASSEMBLY	1
2	98807-000	SHOCKMOUNT 40 DURO	6
3	300216-16	LEFT SIDE RAIL	1
4	300217-16	RIGHT SIDE RAIL	1
5	16419-005	HONDA GX-630	1
6	351836-1	12KW GEN END	1
7	16335-004	SUPPORT, GENERATOR	1
8	93079-003	OIL DRAIN HOSE 14 INCH .375NPT	1
9	300349-2	M20X1.50 OIL DRAIN ADAPTER	1
10	98806-000	WASHER .406 X 2	10
11	91658-014	.375-16X3.5 HHB	4
12	16250-000	.375-16 FLANGE NUT	16
13	467-000	HHCS 5/16-18X.75	12
14	16249-000	.3125-18 FLANGE	14
15	526-000	WASHER ID .375 OD .890	11
16	477-000	HHCS .3125-18X.625	2
17	16446-000	M8-1.25 NYLOCK	4
18	64908-001	HHCS M8-1.25X35MM 8.8GR ZINC	4
19	64858-009	BHSCS .375-16 X 2.00 BUTTON HEAD	8
20	439-000	HHB .25-20 X 1	2
21	16248-000	.25-20 FLANGE NUT	8
22	23558-000	FLAT WSHR. .3435 X 1 .125 THK. ZINC	2
23	267-002	FLAT WSH 9/32X1X.063	6
24	481-000	LOCK 3/8 SPLIT	4
25	91658-001	HHCS 3/8-16X1	6
26	512-000	.25 WASHER	2
27	476-000	.25-20X.625 HHB	2
28	16479-011	iGX800 MANIFOLD	1
29	15687-071	MUFFLER HEAT SHIELD	1
30	15687-070	MUFFLER BRACKET	1
31	9769-148	LEAD WIRE ASSY (GROUND)	1
32	350264-17	5IN MUFFLER BRACKET	1
33	350590-24	MUF1859	1
34	93489-015	1.5ID EXHAUST CLAMP	1
35	466-001	.25-20X 1.75 HHB	1
36	91658-007	3/8-16X2.5	2
37	21698-001	TORX PAN HEAD SCREW #10	13
38	95281-000	.25-20X1.25 HHB	4
39	479-000	LOCK WASHER .25IN ID.	1

# Lifting Eye Assembly



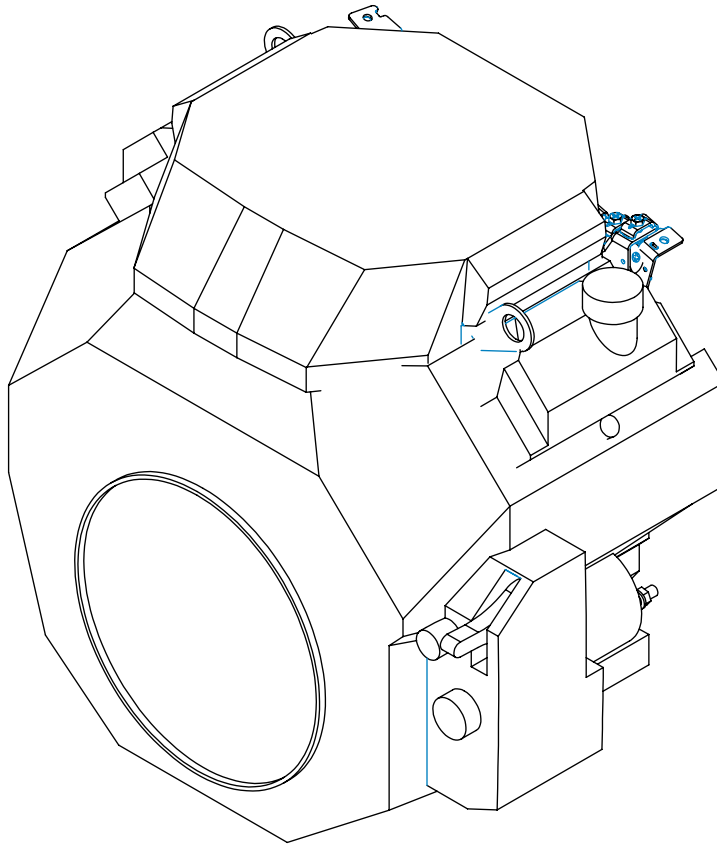
ITEM NO.	PART NUMBER	DESCRIPTION	QTY.
1	300147-6	LIFTING EYE SUPPORT BRACKET	2
2	300148-18	LIFTING EYE	1
3	96286-008	FLAT WASHER NYLON 1.25 OD, .508 ID, .062 THK	2
4	300149-20	LIFTING EYE SIDE SUPORT RIGHT	1
5	300149-21	LIFTING EYE SIDE SUPPORT LEFT	1
6	526-000	WASHER ID .375 OD .890	8
7	64858-010	BHSCS 3/8-16 X 0.875	8
8	21867-001	FLAT WASHER .51 X .88 X .05	4
9	64858-008	BHSCS 1/2-13 X 3.00 BUTTON HEAD SOCKET CAP SCREW	2
10	92242-000	NUT HEX .500-13 NYLOCK	2
11	16250-000	.375-16 FLANGE NUT	8

# Battery Installation



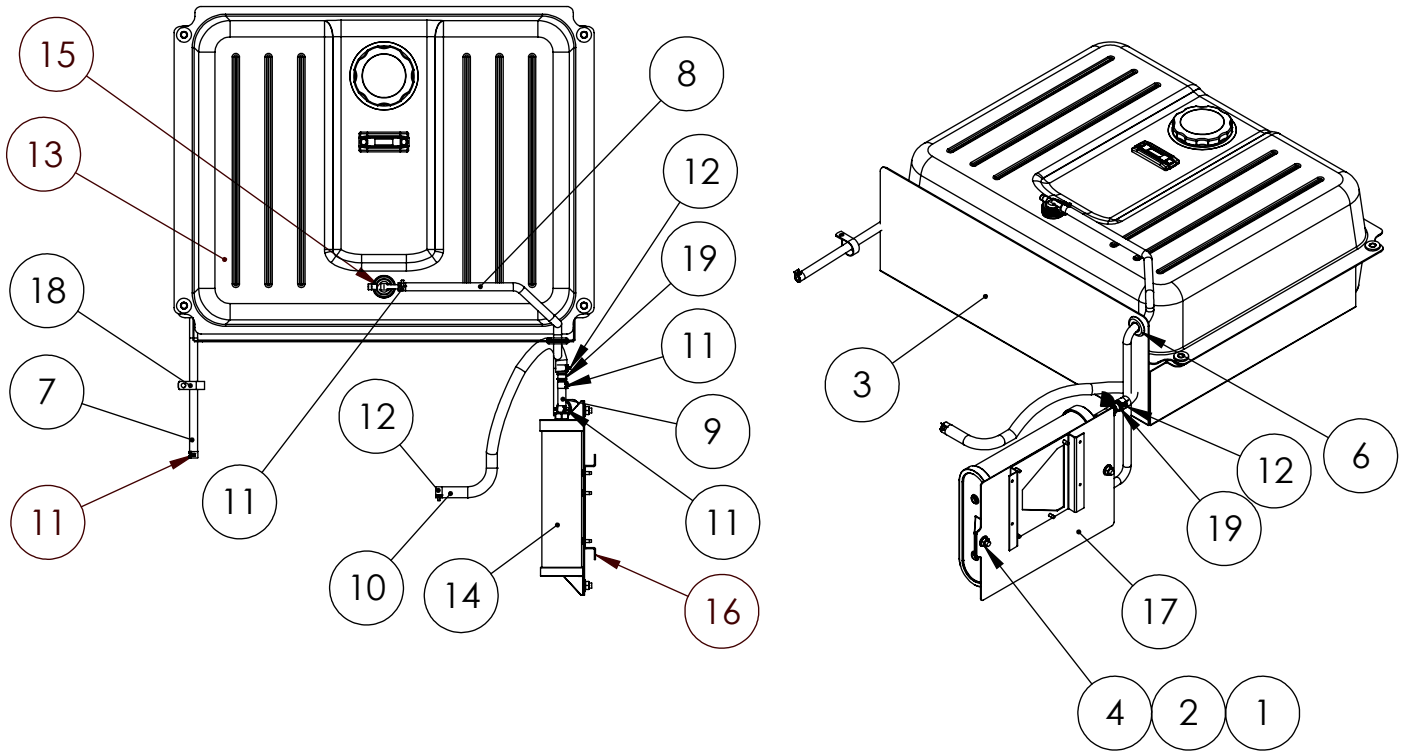
ITEM NO.	PART NUMBER	DESCRIPTION	QTY.
1	15767-027	(POS BATTERY CABLE)	1
2	15767-031	(NEG BATTERY CABLE 16 in)	1
3	15807-002	KIT, BATTERY HOLD DOWN	1
4	95568-000	THREAD STUD 10-24 X .625	2
5	99671-000	#10-24 HEX NUT	2
6	16234-000	CAP PLUG	1
7	15676-013	BATTERY TRAY	1
8	16145-000	INSULATOR, TERMINAL	1

# Engine



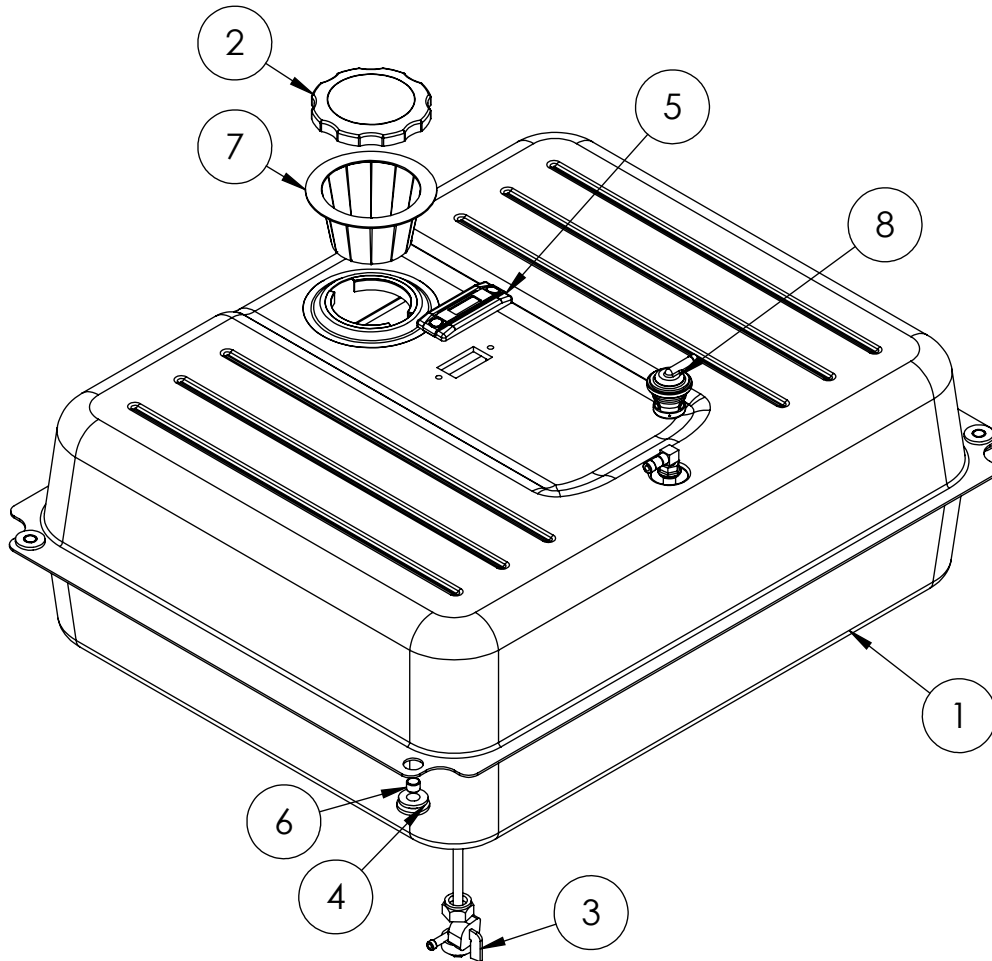
ITEM NO.	PART NUMBER	DESCRIPTION	QTY
1	1-114	AIR FILTER	1
2	1-117	FUEL FILTER	1
3	1-106	OIL FILTER	1
4	1-115	SPARK PLUG	2
5	300515-31	ENGINE OIL PER QUART	2
ALL ITEMS LISTED IN THE ABOVE TABLE ARE INCLUDED WITH A 16200-005 MAINTENANCE KIT PURCHASE			
6	1-124	FUEL PUMP	1
7	1-141	STARTER MOTOR	1
8	15959-108	IGNITION KEY	1
9	1-125	HARNESS, KEY SWITCH	1
10	1-137	OIL LEVEL SWITCH	1
11	1-127	OIL DIPSTICK	1
Contact WINCO service or your Honda dealer for full engine part support.			

# Fuel System



ITEM NO.	PART NUMBER	DESCRIPTION	QTY.
1	467-000	HHCS 5/16-18X.75	2
2	526-000	5/16 FLAT WASHER	2
3	15462-044	FUEL TANK TRAY 15 GAL	1
4	16249-000	.3125-18 FLANGE	2
5	21698-001	TORX PAN HEAD SCREW #10	4
6	23917-000	GROMMET .6875ID X 1	1
7	40078-005	HOSE .25ID RUBBER 15IN	1
8	40078-018	.25IN ID RUBBER HOSE 26IN LONG	1
9	40078-033	HOSE .25ID RUBBER 2IN	1
10	55505-011	HOSE .375 RUBBER 20IN	1
11	62999-001	HOSE CLAMP .5 OD RED	6
12	62999-004	HOSE CLAMP .69 OD	2
13	64024-014	FUEL TANK 15 GAL. STEEL GASOLINE	1
14	80900-001	CARBON CANISTER	1
15	80903-002	SLOSH VALVE 1/4" HOSE	1
16	81900-002	CARBON CANISTER BRACKET	1
17	81900-011	CARBON CANISTER MOUNTING PLATE	1
18	97391-003	TUBE CLAMP/CUSH.WIRE 15/16	1
19	98590-003	HOSE REDUCER 1/8-5/16 X 1/4-7/16	1

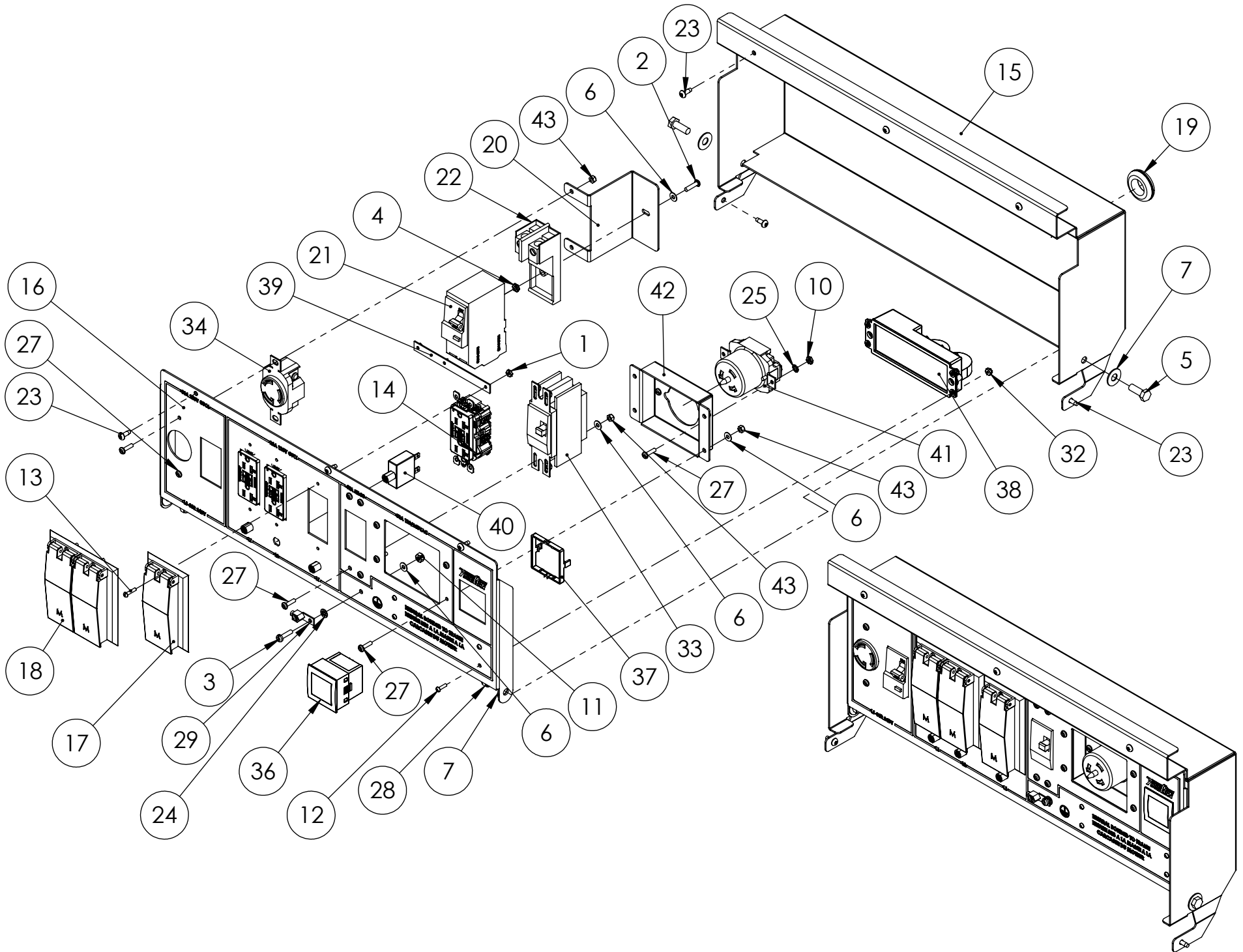
# Fuel Tank



ITEM NO.	PART NUMBER	DESCRIPTION	QTY.
1	64024-014	FUEL TANK 15 GAL STEEL GASOLINE	1
2	64024-401	FUEL CAP, SEALED, AUDIBLE, TETHERED	1
3	64024-404	168B FUEL CONTROL VALVE	1
4	64024-406	RUBBER BUSHING	4
5	64024-407	FUEL LEVEL GAUGE, 180MM	1
6	64024-405	ANTI-CRUSH INSERT	4
7	64024-403	FUEL FILTER	1
ALL ITEMS LISTED IN THE TABLE ABOVE ARE INCLUDED WITH A 64024-14 FUEL TANK PURCHASE			
8	80903-002	SLOSH VALVE 1/4" HOSE	1
9	61273-262	TOUCH UP PAINT, BLACK 3048	1
11	LD-FV009	90 DEGREE ELBOW	1



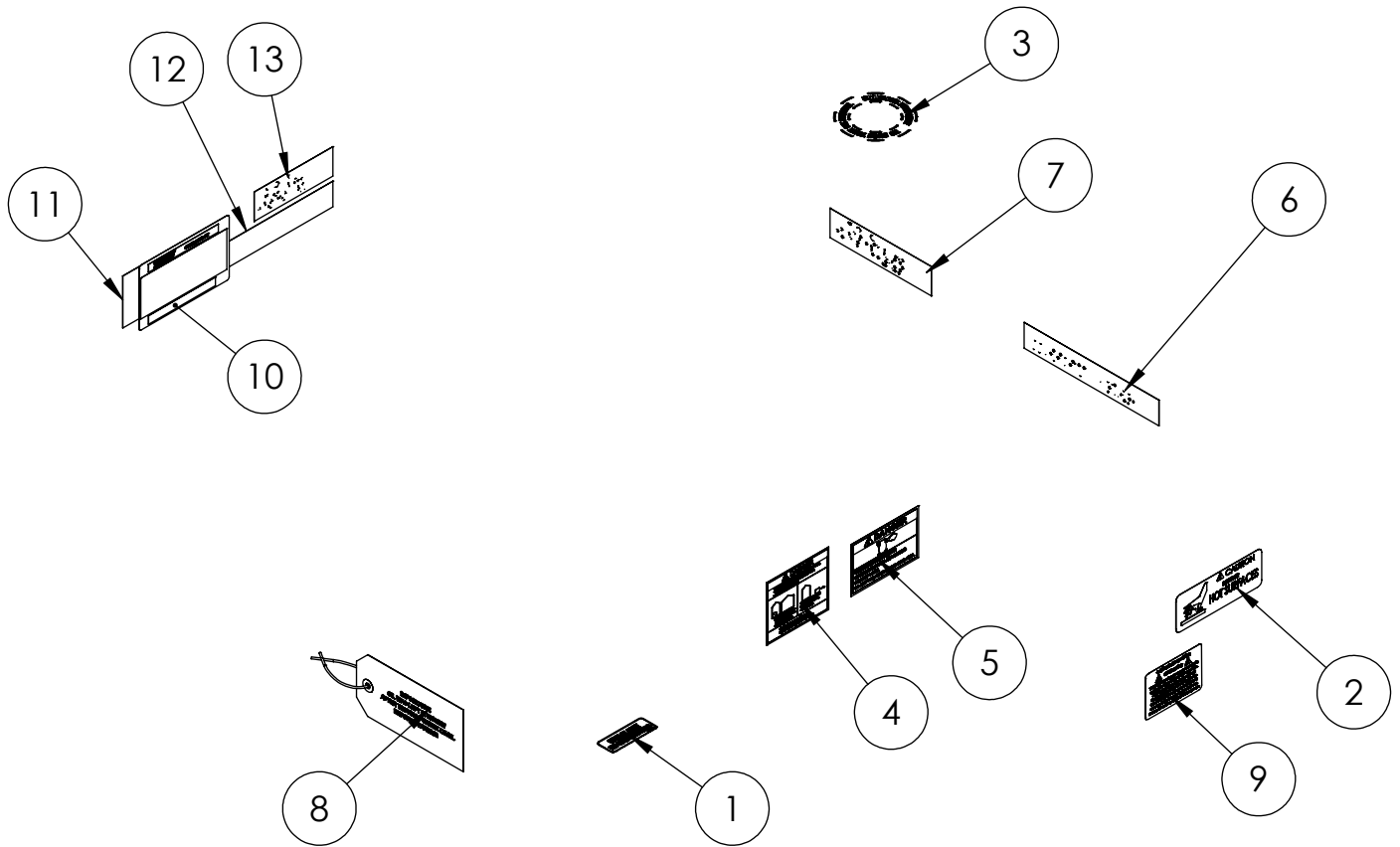
# Receptacle Assembly



## Receptacle Assembly Continued.

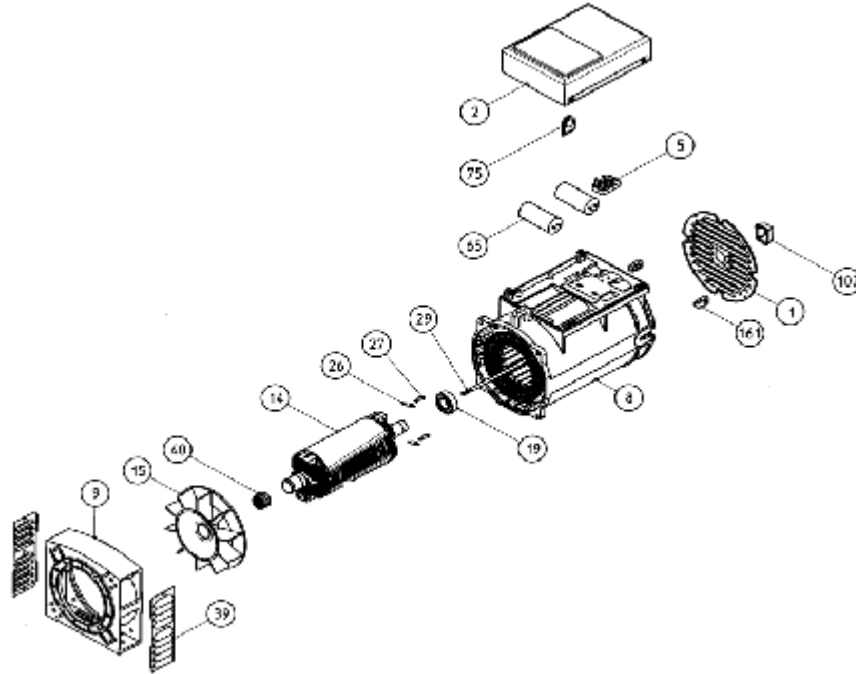
ITEM NO.	PART NUMBER	DESCRIPTION	QTY.
1	394-000	NUT HEX #6-32	6
2	420-001	BZ RHMS 10-24X3/4 PHILLIPS	1
3	420-000	RHMS 10-24 X .75	1
4	456-000	10-24 HEX NUT	1
5	465-000	.3125-18X.875 HHB	2
6	511-000	#8 FLATWASHER	10
7	526-000	FLAT WASHER 5/16_3/8	4
8	4156-000	TERMINAL RING 12-10 #10 STUD	14
9	4158-000	TERMINAL RING 16-14 AWG #10	1
10	5113-000	NUT HEX # 8	2
11	5315-000	NUT HEX 10-24 NYLON	1
12	7792-001	BZ RHMS 6-32X.5	4
13	7792-000	RHMS 6-32 X .625	6
14	15147-003	RECEPTACLE NEMA 5-20R GFCI DUPLEX	3
15	15221-033	RECEPTACLE BOX	1
16	15458-109	WL12000 RECEPTACLE PANEL	1
17	15620-006	GFCI COVER 5-20R SINGLE MULBERRY	1
18	15620-007	GFCI COVER 5-20R 2 GANG MULBERRY	1
19	16302-000	GROMMET .875ID X 1.25	1
20	16319-008	CB MOUNTING BRACKET	1
21	16488-000	CIR.BRK.30A-2PL-240V-GFCI	1
22	16489-001	2 POLE CIRCUIT BRK. TERM. BLOCK	1
23	21698-001	TORX PAN HEAD SCREW #10	8
24	21975-000	#10 INT. TOOTH LOCKWASHER	1
25	21976-000	#8 LOCKWASHER EXTERNAL TOOTH	2
26	22370-007	TERMINAL SPADE 16/14AWG #10STUD	4
27	24198-001	BHMS #8-32 x .625 BLACK	12
28	47136-000	HEX NUT .3125-18 NYLOK	2
29	48042-001	TERMINAL, GROUND LUG, 6-14AWG	1
30	48602-001	TERMINAL FEMALE 16/14AWG .250	4
31	48602-010	TERM FEMALE 10-12AWG .250X.032 TAB	2
32	51802-000	NUT HEX #6-32 NYLOCK	4
33	57030-007	CIR.BRK. 45A-2PL-240V	1
34	57324-000	NEMA L6-30R	1
35	58165-18	DISPLAY MODULE CABLE	1
36	58166-009	DISPLAY MODULE	1
37	58166-009	DISPLAY MODULE MOUNTING CLIP	1
38	58166-010	TERMINAL BLOCK MODULE	1
39	64045-043	MOUNTING STRAP, 3 HOLE, 1.80IN AND 2.80IN	1
40	91286-001	CIRCUIT BREAKER, 20A, 1 PL	3
41	91889-000	RECEPT 125/250V 50A	1
42	92072-010	50 AMP RECEPTACLE BRACKET	1
43	95985-000	NUT HEX #8-32 NYLOK	10
44	98787-000	TERM., PIGBACK, 16-14AWG, .250TAB	1

# Decals Kit



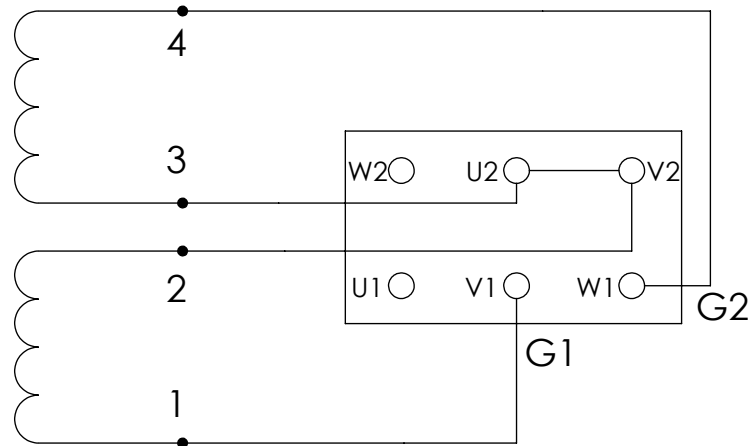
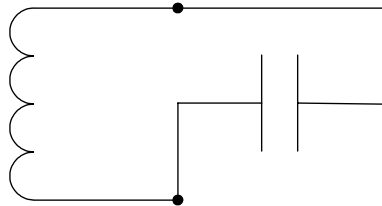
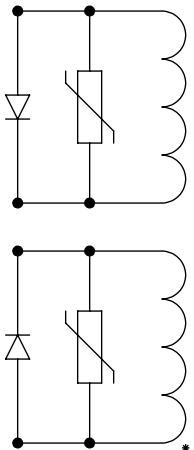
ITEM NO.	PART NUMBER	DESCRIPTION	QTY.
1	15209-014	DECAL - CHECK OIL	1
2	63941-001	DECAL - HOT SURFACES	1
3	15209-013	DECAL - FUEL TYPE GASOLINE	1
4	64918-000	DECAL-DANGER (CO) USE OUTSIDE	1
5	15209-002	DECAL - DANGER CARBON MONOXIDE	1
6	15209-003	UL-DECAL ELECTRICAL SHOCK CAN KILL	1
7	15209-001	GASOLINE DECAL	1
8	60710-018	OIL WARNING TAG	1
9	15209-036	PROP 65 WARNING DECAL	1
10	63966-004	NAMEPLATE, WINCO PORTABLE	1
11	15209-102	DECAL - DANGER CARBON MONOXIDE	1
12	15209-103	UL-DECAL ELECTRICAL SHOCK CAN KILL	1
13	15209-101	DECAL, GASOLINE DANGER, FRENCH	1

# Generator End Parts List

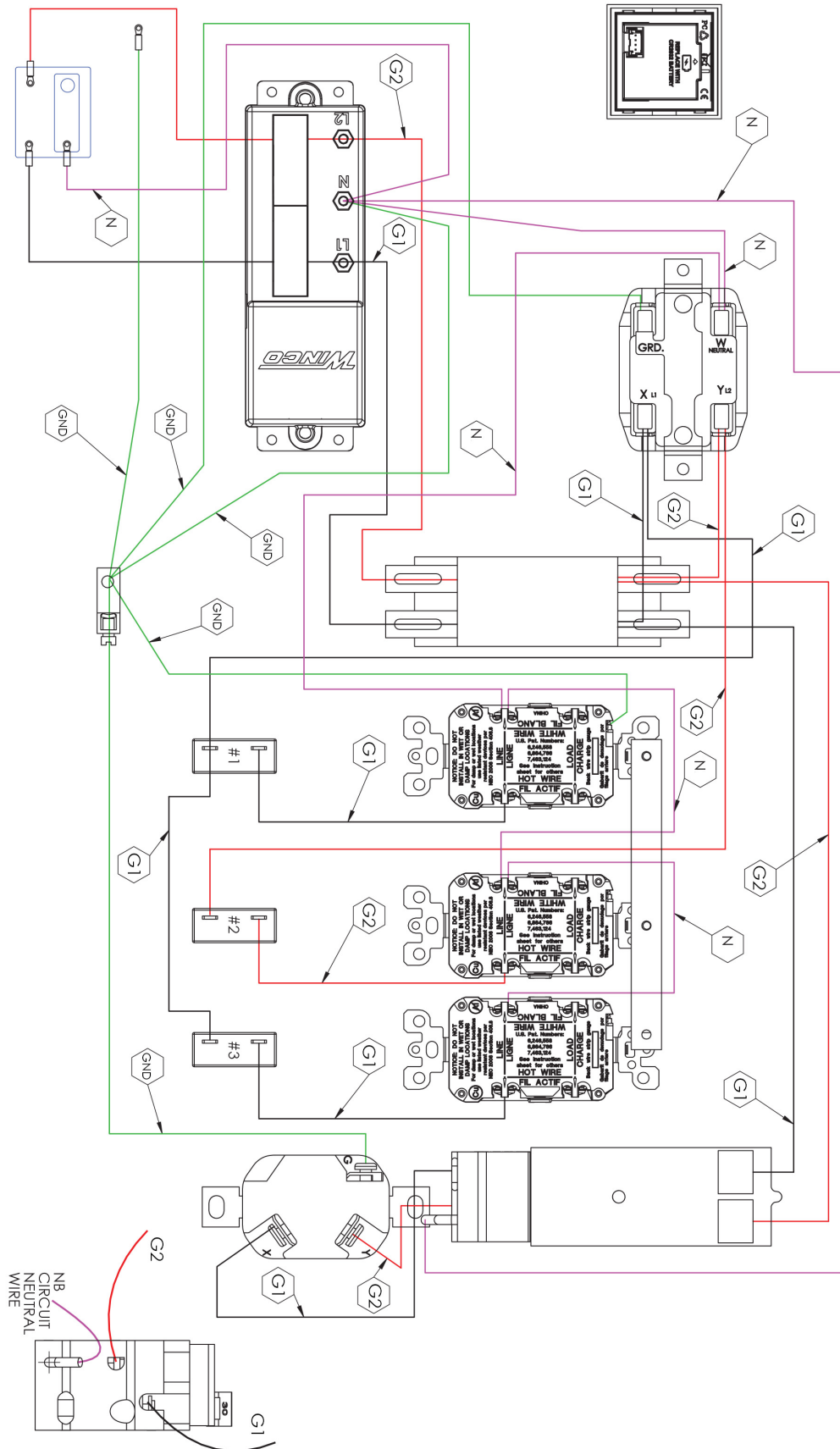


REF #	PART NUMBER	DESCRIPTION	QTY
	351836-1	COMPLETE GENERATOR ASSEMBLY	1
5	16346-131	TERMINAL BLOCK	1
19	54665-000	BEARING	1
26	300323-207	DIODE	2
27	300323-106	VARISTOR	2
40	300323-212	TOLERANCE RING	1
65	300323-112	CAPACITOR 31.5 mf 425V	2
161	300323-211	RUBBER CAP	1

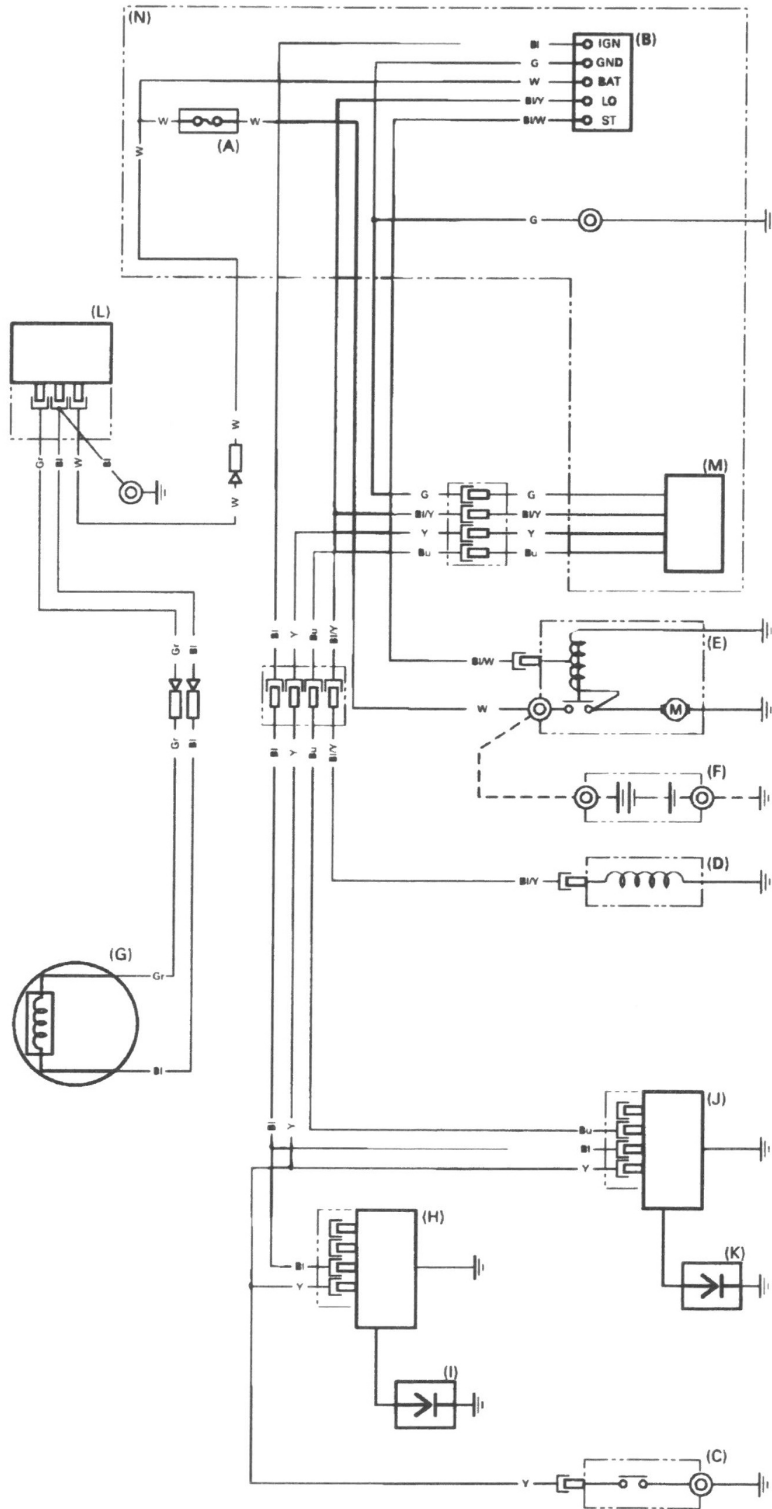
S20FS-160 Expected Resistance ( $\Omega$ )		
Rotor	Stator	Excitation
6.57	0.124	0.60



# Receptacle Wiring Diagram



# Engine Wiring Diagram



	IGN	GND	BAT	LO	ST
OFF					
ON					
START					