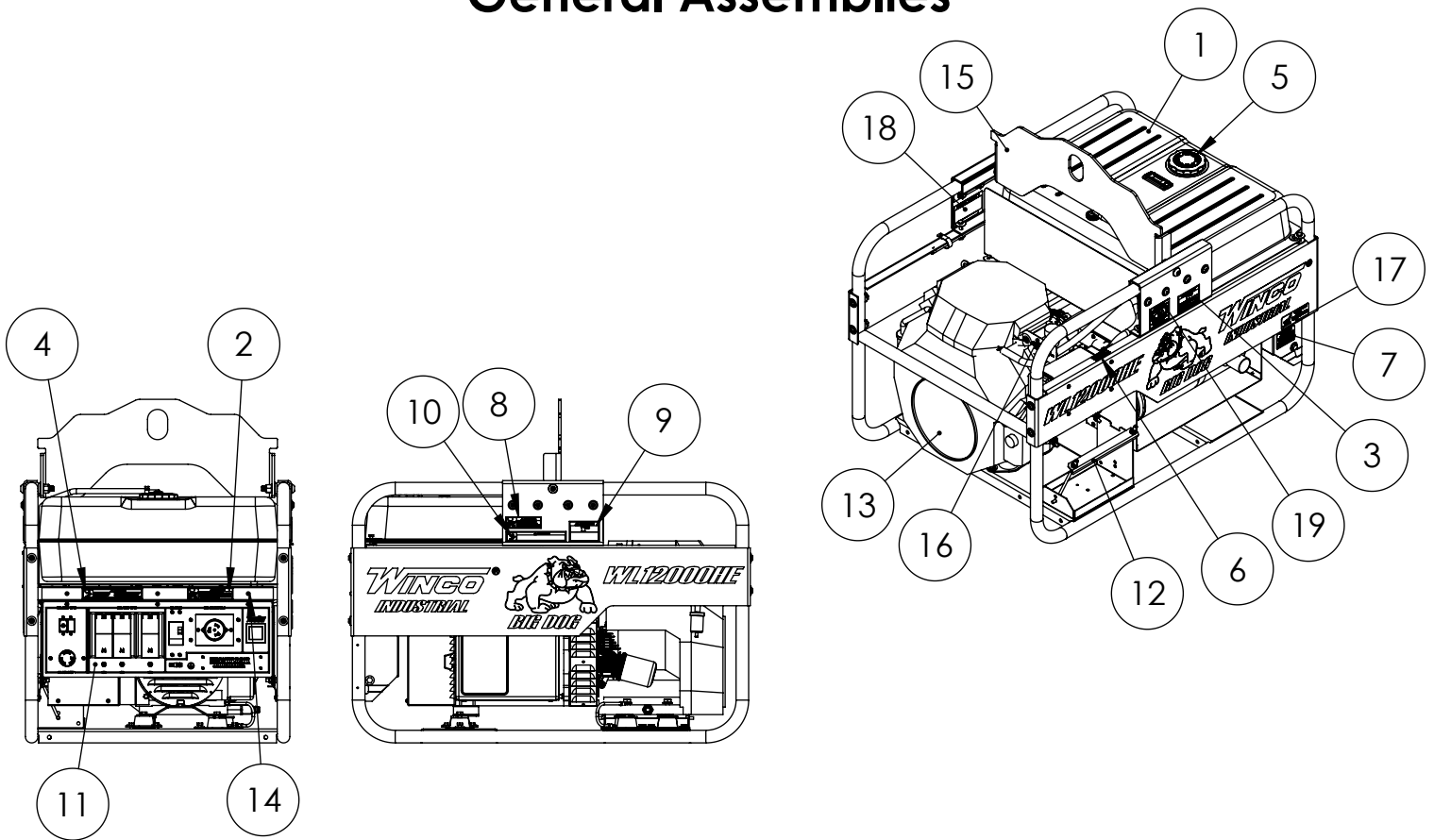


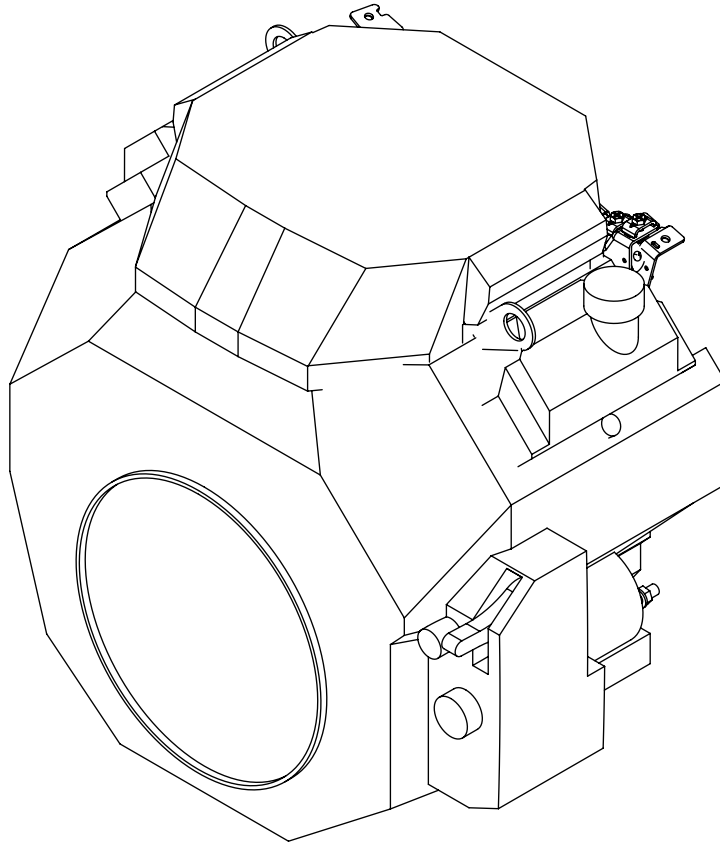
WINCO Service
Phone: 507-357-6831
Email: service@wincogen.com
www.wincogen.com

General Assemblies



ITEM NO.	PartNo	DESCRIPTION	QTY.
1	15163-070	FUEL TANK INSTALLATION	1
2	15209-001	GASOLINE DECAL	1
3	15209-002	DECAL-DANGER CARBON MONOXIDE	1
4	15209-003	UL-DECAL ELECTRICAL SHOCK CAN KILL	1
5	15209-013	DECAL - FUEL TYPE GASOLINE	1
6	15209-014	DECAL - CHECK OIL	1
7	15209-036	PROP 65 WARNING DECAL	1
8	15209-101	DECAL, GASOLINE DANGER, FRENCH	1
9	15209-102	DECAL-DANGER CARBON MONOXIDE	1
10	15209-103	UL-DECAL ELECTRICAL SHOCK CAN KILL	1
11	15457-090	RECEPTACLE ASSEMBLY	1
12	16175-022	BATTERY INSTALLATION	1
13	18000-000	ENGINE GENERATOR AND CRADLE	1
14	21698-001	TORX PAN HEAD SCREW #10	5
15	300144-14	LIFTING EYE ASSEMBLY	1
16	60710-018	OIL WARNING TAG	1
17	63941-001	DECAL -HOT SURFACES	1
18	63966-004	NAMEPLATE, WINCO PORTABLE	1
19	64918-000	DECAL-DANGER (CO) USE OUTSIDE	1

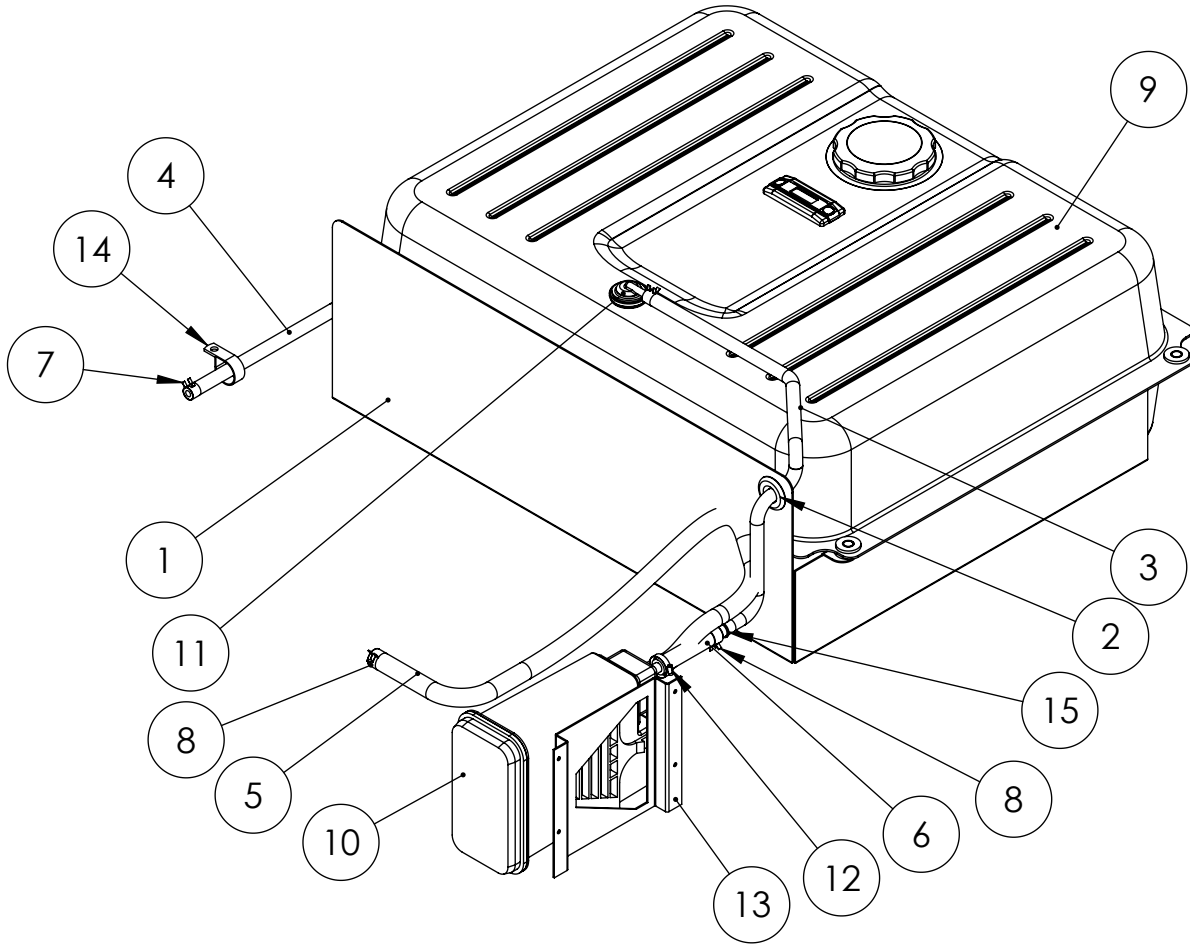
Engine



ITEM	PART	DESCRIPTION	QTY
1	1-114	Air filter	1
2	1-117	Fuel Filter	1
3	1-124	Fuel Pump	1
4	15959-108	Ignition Key	1
5	1-125	Key Switch Harness Assembly	1
6	16247-002G	Manifold Gasket	1
7	1-106	Oil Filter	1
8	1-115	Spark Plug	

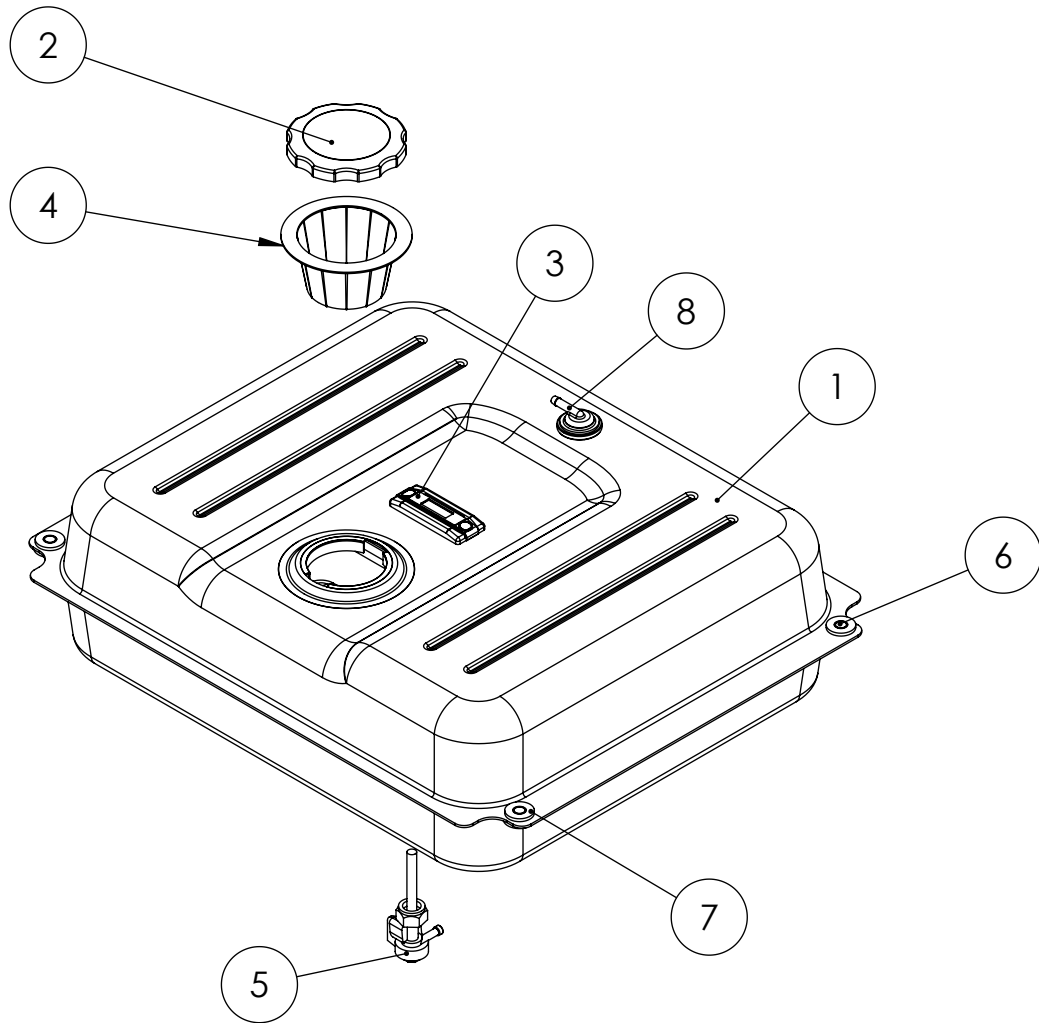
Contact WINCO service or your Honda dealer for full engine part support.

Fuel System



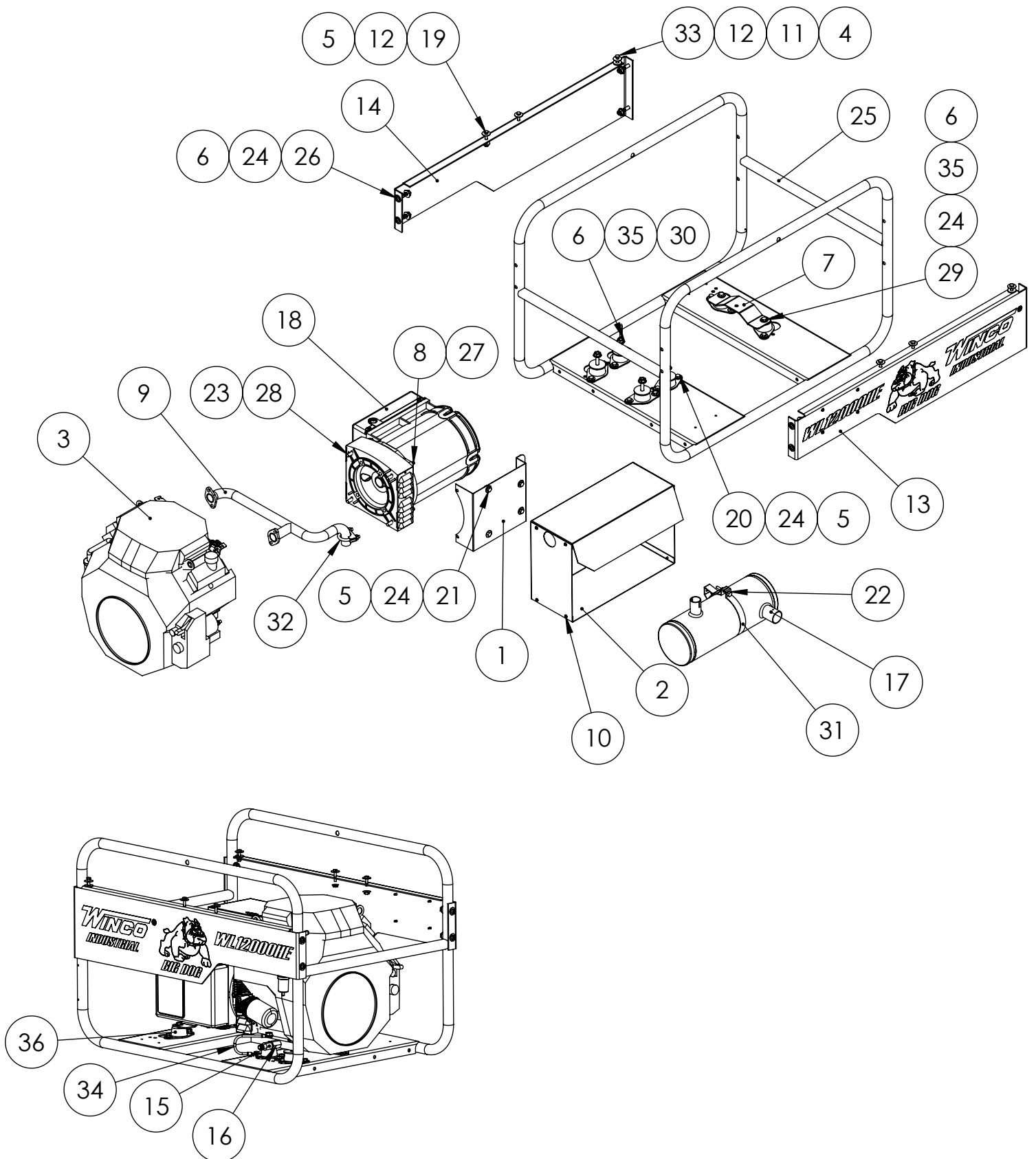
ITEM NO.	PartNo	DESCRIPTION	QTY.
1	15462-044	FUEL TANK TRAY 15 GAL	1
2	23917-000	GROMMET .6875ID X 1	1
3	40078-003	.25IN ID 17IN LONG RUBBER HOSE	1
4	40078-005	HOSE .25ID RUBBER 15IN	1
5	55505-021	HOSE .375 RUBBER 27IN	1
6	55505-026	HOSE .375 ID RUBBER 3IN	1
7	62999-001	HOSE CLAMP .5 OD RED	4
8	62999-004	HOSE CLAMP .69 OD	3
9	64024-014	FUEL TANK 15 GAL. STEEL GASOLINE	1
10	80900-000	CARBON CANISTER	1
11	80903-002	SLOSH VALVE 1/4" HOSE	1
12	81018-008	HOSE CLAMP .875-.25	1
13	81900-002	CARBON CANISTER BRACKET	1
14	97391-003	TUBE CLAMP/CUSH.WIRE 15/16	1
15	98590-003	HOSE REDUCER 1/8-5/16 X 1/4-7/16	1

Fuel Tank



ITEM NO.	PART NUMBER	DESCRIPTION	QTY.
1	64024-013	FUEL TANK 7 GAL STEEL GASOLINE	1
2	64024-401	FUEL CAP, SEALED, AUDIBLE, TETHERED	1
3	64024-402	FUEL LEVEL GAUGE - 112 MM	1
4	64024-403	FUEL FILL FILTER	1
5	64024-404	168B FUEL CONTROL VALVE	1
6	64024-405	ANTI-CRUSH INSERT	4
7	64024-406	RUBBER BUSHING	4
8	80903-002	SLOSH VALVE 1/4" HOSE	1
ALL ITEMS LISTED ABOVE IN THIS TABLE ARE INCLUDED WITH A 64024-013 FUEL TANK PURCHASE.			
9	61273-262	TOUCH UP PAINT, BLACK 3048	-

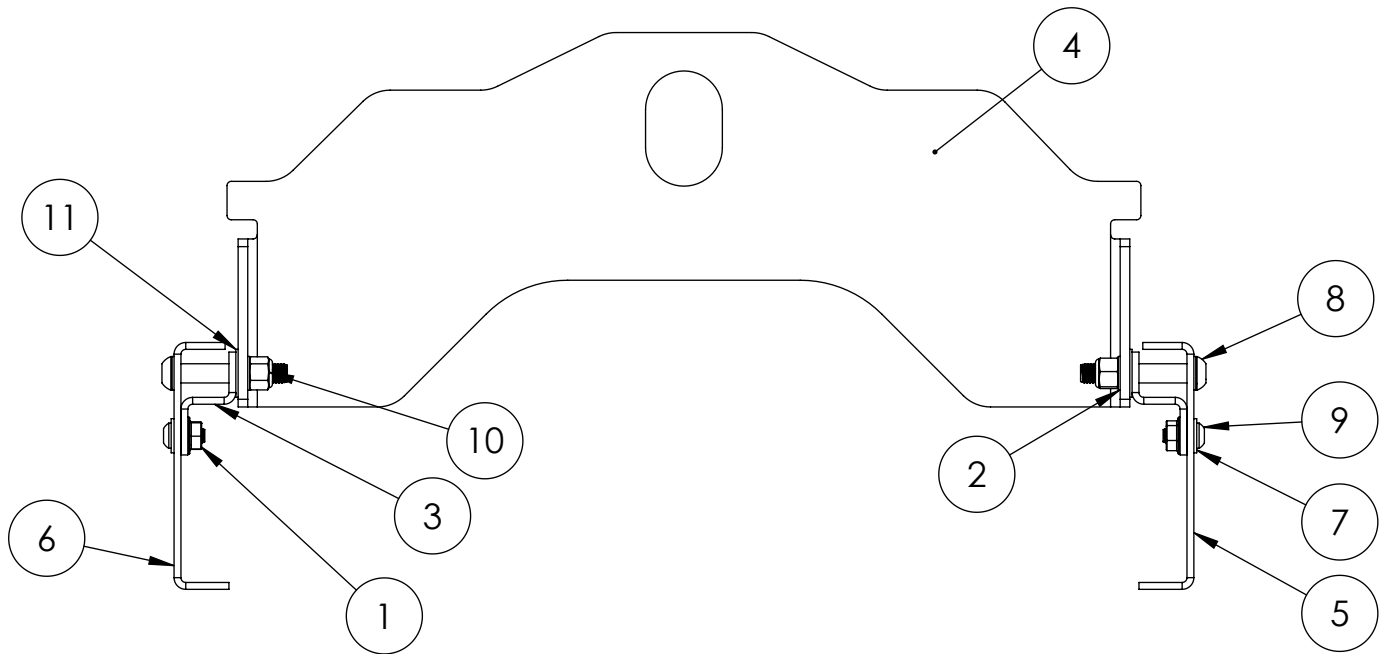
Engine / Generator Assembly



Engine / Generator Assembly Bill of Material

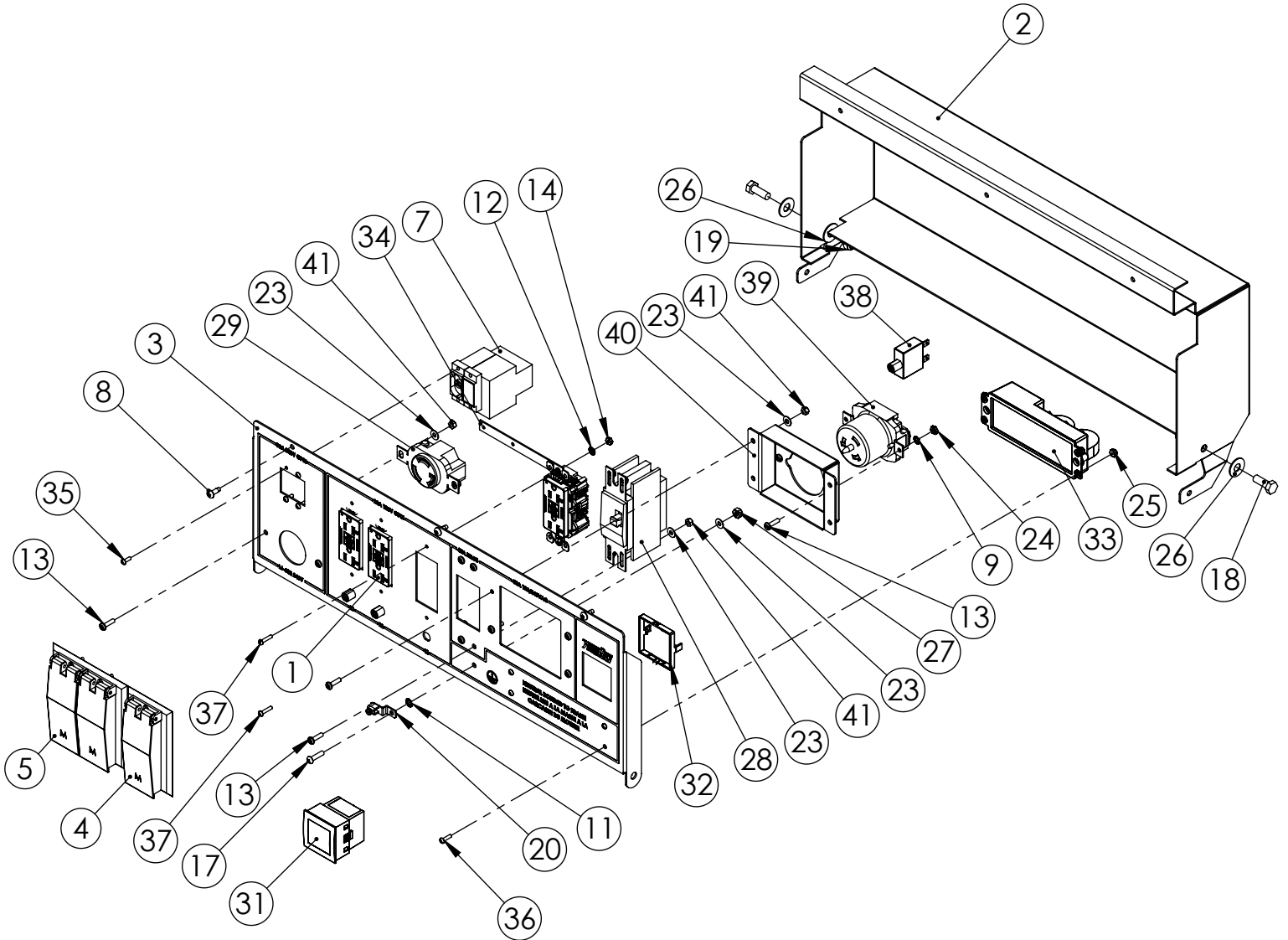
ITEM NO.	PartNo	DESCRIPTION	QTY.
1	15687-011	MUFFLER BRACKET	1
2	15687-024	MUFFLER HEAT SHIELD	1
3	15959-008	GX630	1
4	16248-000	.25-20 FLANGE NUT	4
5	16249-000	.3125-18 FLANGE NUT	18
6	16250-000	.375-16 FLANGE NUT	14
7	16335-004	GENERATOR SUPPORT	1
8	16446-000	M8-1.25 NYLOCK	4
9	16479-005	EXHAUST MANIFOLD GX630	1
10	21698-001	TORX PAN HEAD SCREW #10	13
11	23558-000	FLAT WSHR. .3435 X 1 .125 THK. ZINC	2
12	267-002	FLAT WSH 9/32X1X.063	6
13	300216-16	LEFT SIDE RAIL	1
14	300217-16	RIGHT SIDE RAIL	1
15	300349	OIL DRAIN VALVE	1
16	300349-2	M20X1.50 OIL DRAIN ADAPTER	1
17	350590-12	NELSON MUFFLER	1
18	351836-1	12KW GEN END	1
19	439-000	HHB .25-20 X 1	2
20	467-000	.3125-18X .75 HHB HEX BOLT	12
21	477-000	HHCS .3125-18X.625	4
22	479-000	LOCK WASHER .25IN ID.	1
23	481-000	LOCK WASHER .375 SPLIT	4
24	526-000	WASHER ID .375 OD .890	26
25	63073-045	WELDED CRADLE ASSEMBLY	1
26	64858-009	BHSCS .375-16 X 2.00 BUTTON HEAD	8
27	64908-001	HHCS M8-1.25 X 35MM 8.8GR ZINC	4
28	91658-001	.375-16 X 1 HHB	4
29	91658-007	3/8-16X2.5	2
30	91658-014	.375-16 X 3.5 HHB	4
31	93484-013	MUFFLER MTG.BRACKET 5.65"	1
32	93489-018	MUFFLER CLAMP 1.25" X 5/16" ZINC	1
33	95281-000	.25-20X1.25 HHB	4
34	9769-148	LEAD WIRE ASSY (GROUND)	1
35	98806-000	WASHER .406 X 2	10
36	98807-000	SHOCKMOUNT 40 DURO	6

Lifting Eye Assembly



ITEM NO.	PartNo	DESCRIPTION	QTY.
1	16250-000	.375-16 FLANGE NUT	8
2	21867-001	FLAT WASHER .51 X .88 X .05	4
3	300147-6	LIFTING EYE SUPPORT BRACKET	2
4	300148-18	LIFTING EYE	1
5	300149-20	LIFTING EYE SIDE SUPORT RIGHT	1
6	300149-21	LIFTING EYE SIDE SUPPORT LEFT	1
7	526-000	WASHER ID .375 OD .890	8
8	64858-008	BHSCS 1/2-13 X 3.00 BUTTON HEAD SOCKET CAP SCREW	2
9	64858-010	BHSCS 3/8-16 X 0.875	8
10	92242-000	NUT HEX .500-13 NYLOCK	2
11	96286-008	FLAT WASHER NYLON 1.25 OD, .508 ID, .062 THK	2

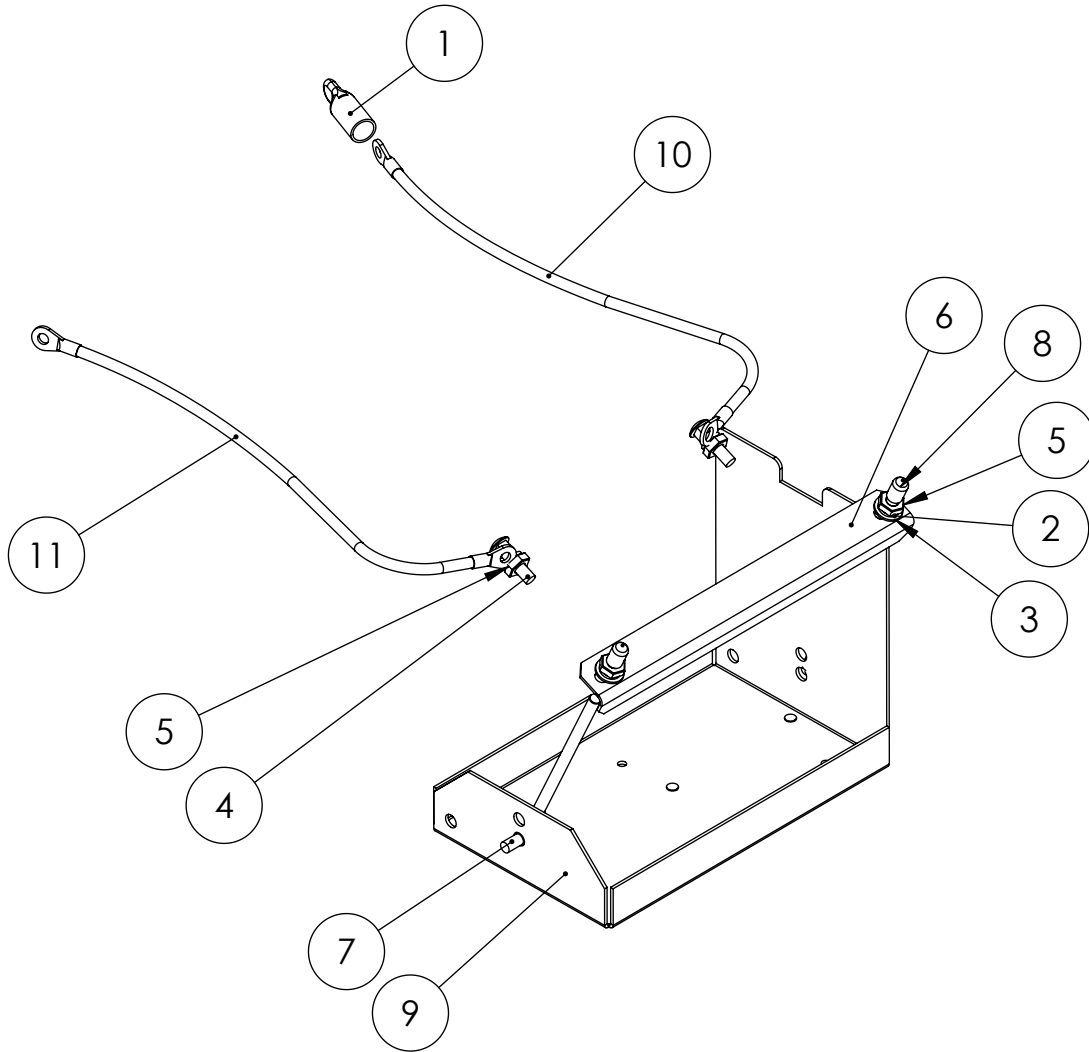
Receptacle Panel Assembly



Receptacle Panel Bill of Material

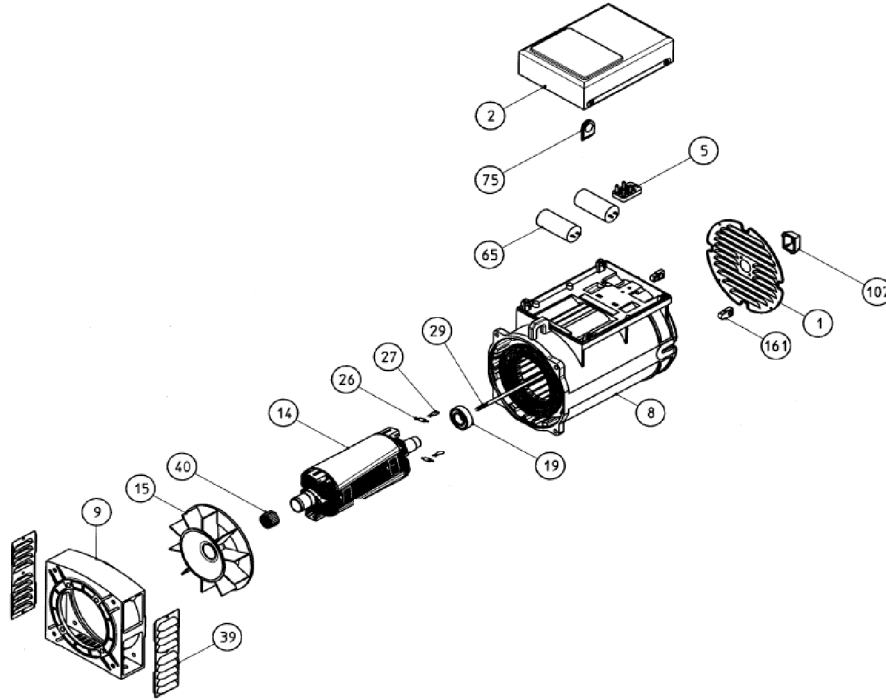
ITEM NO.	PartNo	DESCRIPTION	QTY.
1	15147-003	RECEPTACLE NEMA 5-20R GFCI DUPLEX	3
2	15221-033	RECEPTACLE BOX	1
3	15458-090	HPS12000 RECEPTACLE PANEL	1
4	15620-006	GFCI COVER 5-20R SINGLE MULBERRY	1
5	15620-007	GFCI COVER 5-20R 2 GANG MULBERRY	1
6	16302-000	GROMMET .875ID X 1.25	1
7	16488-018	CIR.BRK.30A-2PL-240V-GFCI-CARLING	1
8	21698-001	TORX PAN HEAD SCREW #10	3
9	21976-000	#8 LOCKWASHER EXTERNAL TOOTH	2
10	22370-007	TERMINAL SPADE 16/14AWG #10STUD	8
11	22423-000	LOCKWASHER #10 EXTERNAL	1
12	22989-000	#6 LOCKWASHER	6
13	24198-001	BHMS #8-32 x .625 BLACK	12
14	394-000	NUT HEX #6-32	6
15	4156-000	TERMINAL RING 12-10 #10 STUD	12
16	4158-000	TERMINAL RING 16-14 AWG #10	2
17	420-001	BZ RHMS 10-24X3/4 PHILLIPS	1
18	465-000	.3125-18X.875 HHB	2
19	47136-000	HEX NUT .3125-18 NYLOK	2
20	48042-001	TERMINAL, GROUND LUG, 6-14	1
21	48602-001	TERMINAL FEMALE 16/14AWG .250	4
22	48602-010	TERM FEMALE 10-12AWG .250X.032 TAB	2
23	511-000	#8 FLATWASHER	11
24	5113-000	NUT HEX # 8	2
25	51802-000	NUT HEX #6-32 NYLOCK	4
26	526-000	FLAT WASHER 5/16_3/8	4
27	5315-000	NUT HEX 10-24 NYLON	1
28	57030-007	CIR.BRK. 45A-2PL-240V	1
29	57324-000	NEMA L6-30R	1
30	58165-18	DISPLAY MODULE CABLE	1
31	58166-009	DISPLAY MODULE	1
32	58166-009	DISPLAY MODULE MOUNTING CLIP	1
33	58166-010	TERMINAL BLOCK MODULE	1
34	64045-043	MOUNTING STRAP, 3 HOLE, 1.80IN AND 2.80IN	1
35	6917-001	RHMS 6-32 X .375 BLACK ZINC	4
36	7792-001	BZ RHMS 6-32X.5	4
37	7792-000	RHMS 6-32 X .625	6
38	91286-001	CIRCUIT BREAKER, 20A, 1 PL	3
39	91889-000	RECEPT 125/250V 50A	1
40	92072-010	50 AMP RECEPTACLE BRACKET	1
41	95985-000	NUT HEX #8-32 NYLOK	10

Battery Tie down Kit (15807-002)



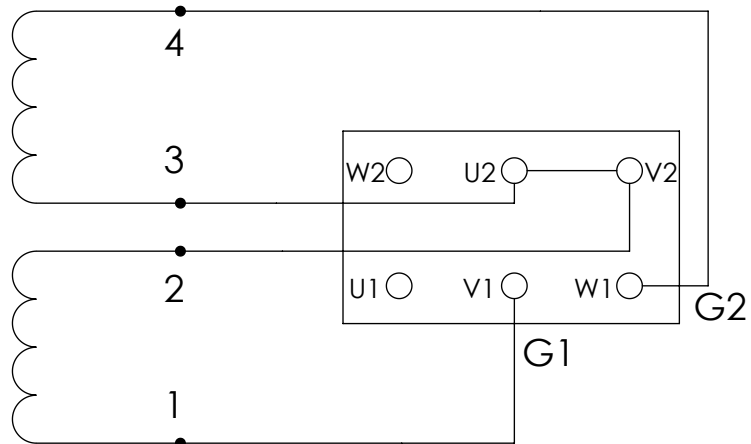
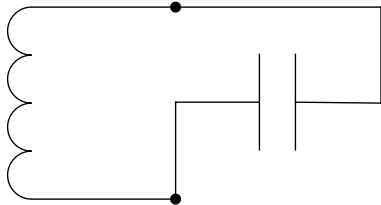
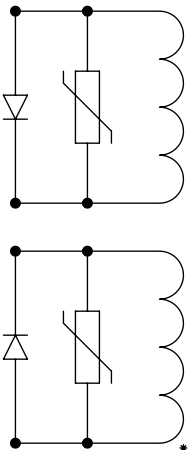
ITEM NO.		PartNo	DESCRIPTION	QTY.
1		16234-000	CAP PLUG	1
2		479-000	LOCK WASHER .25IN ID.	4
3		512-000	.25 WASHER	2
4		56842-001	BOLT CRG .25-20X1 ZINC	2
5		638-000	HEX NUT, .25IN	4
6		64167-004	BATTERY HOLD DOWN BRACKET	1
7		64240-002	BATTERY HOLD DOWN ROD 1/4-20 X 6.5	2
8		64278-000	ROUND VINYL CLOSURE	2
9	*	15676-013	BATTERY TRAY	1
10	*	15767-027	POS. BATTERY CABLE	1
11	*	15767-031	NEG. BATTERY CABLE	1
* Not part of this kit.				

Generator End Parts List

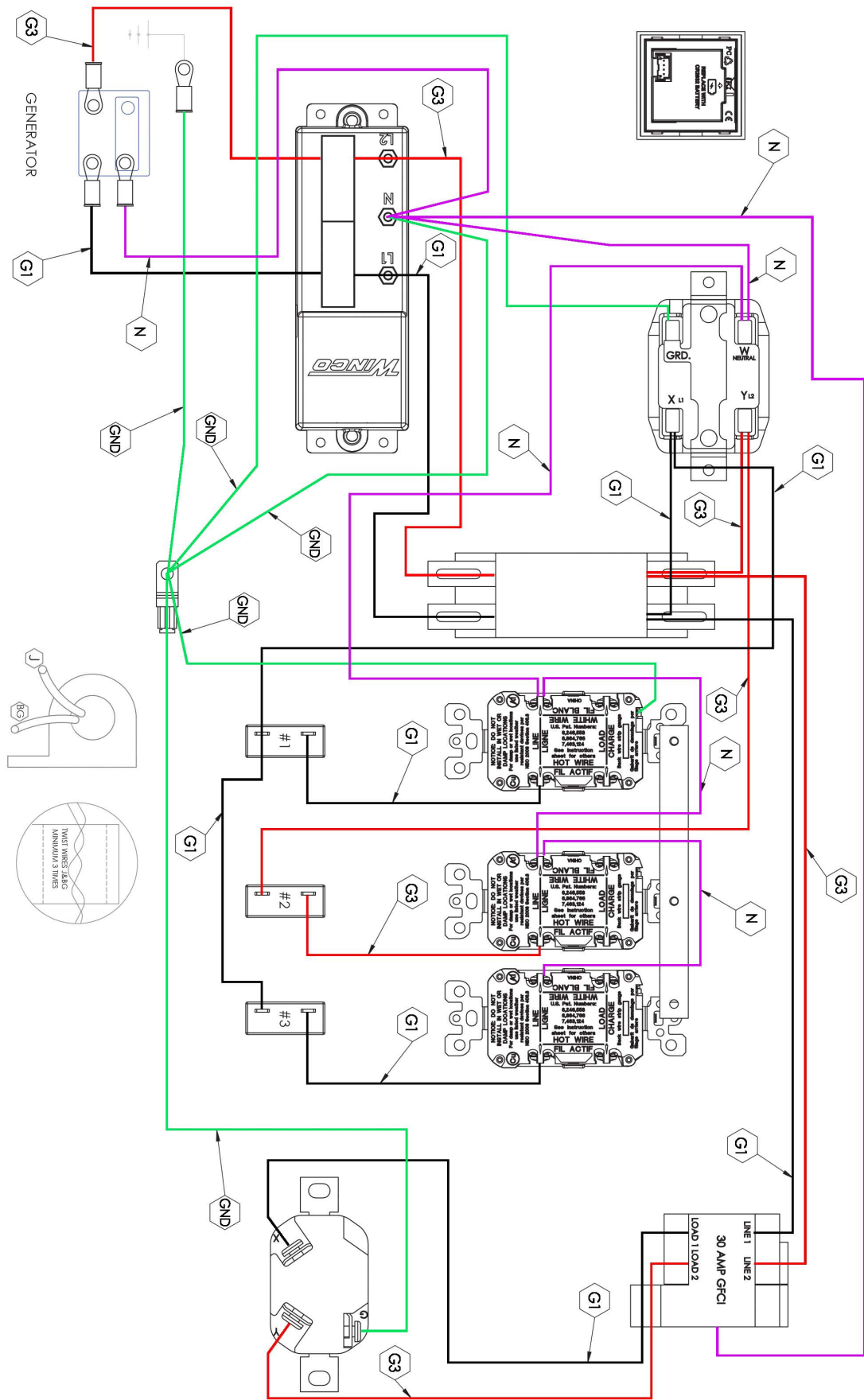


REF #	PART NUMBER	QTY	DESCRIPTION
	351836-1	1	Complete Generator Assembly
19	54665-000	1	Bearing
26	300323-208	2	Varistor
27	300323-207	2	Diode
40	300323-110	1	Tolerance Ring
65	300323-112	2	Capacitor 31.5 mf 425V
107	300323-211	1	Rubber Cap

S20FS-160 Expected Resistance (Ω)		
Rotor	Stator	Excitation
6.57	0.124	0.60



Receptacle Panel Wiring Diagram



Engine Wiring Diagram

Bl	Black	Br	Brown
Y	Yellow	O	Orange
Bu	Blue	Lb	Light blue
G	Green	Lg	Light green
R	Red	P	Pink
W	White	Gr	Gray

COMBINATION SWITCH

	IGN	GND	BAT	LO	ST
OFF					
ON	○—○		○—○		
ST	○—○		○—○	○—○	

