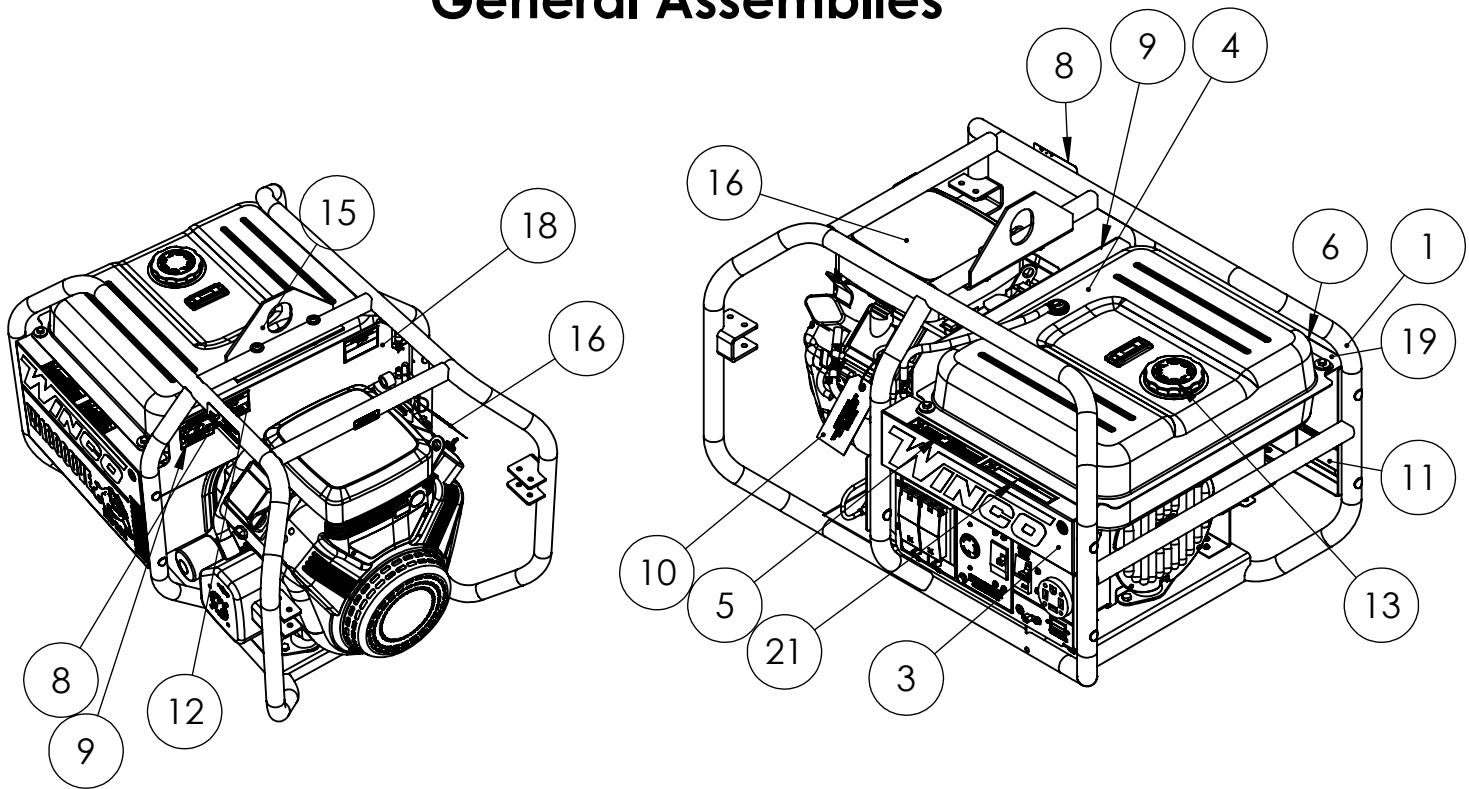


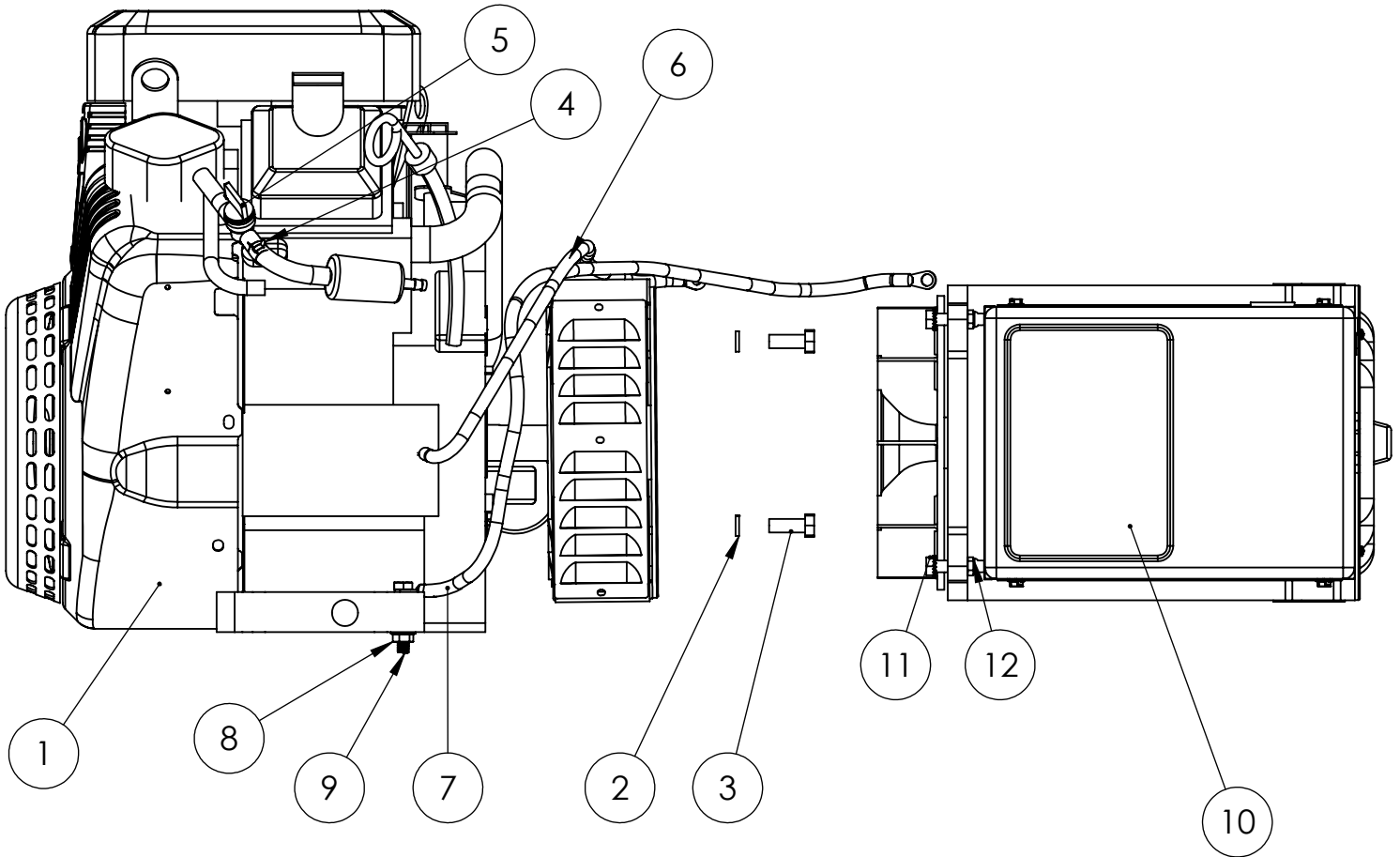
WINCO Service
Phone: 507-357-6831
Email: service@wincogen.com
www.wincogen.com

General Assemblies



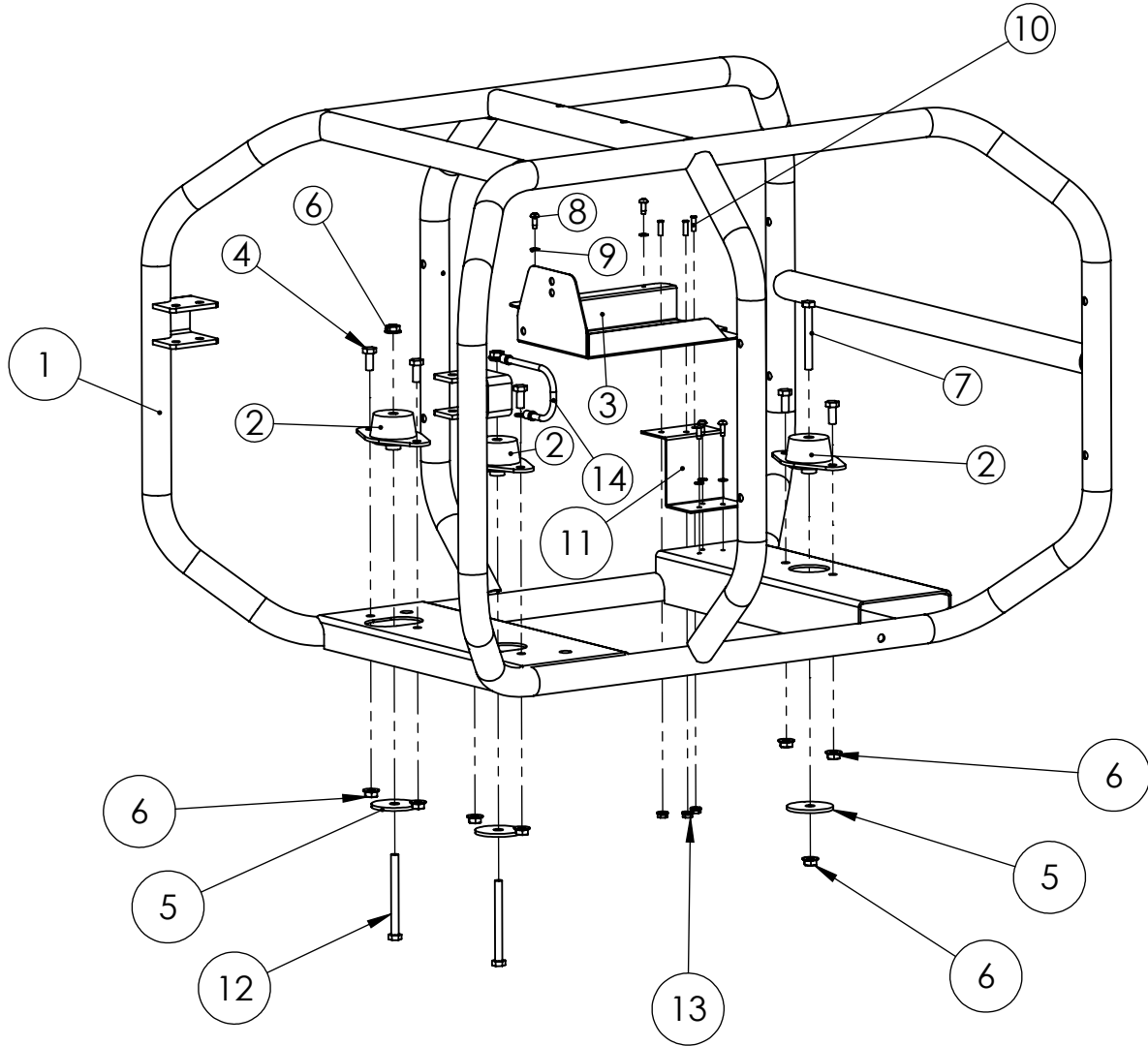
ITEM NO.	PartNo	DESCRIPTION	QTY.
1	18000-026	CRADLE ASSEMBLY	1
2	16249-000	.3125-18 FLANGE	8
3	15457-068	RECEPTACLE ASSEMBLY	1
4	15163-098	FUEL SYSTEM ASSEMBLY	1
5	15209-003	UL-DECAL ELECTRICAL SHOCK CAN KILL	1
6	15209-001	GASOLINE DECAL	1
7	16506-005	NAMEPLATE CLEAR OVERLAY	1
8	63941-001	DECAL -HOT SURFACES	1
9	64918-000	DECAL-DANGER (CO) USE OUTSIDE	1
10	60710-018	OIL WARNING TAG	1
11	63966-004	NAMEPLATE, WINCO PORTABLE	1
12	15209-002	DECAL-DANGER CARBON MONOXIDE	1
13	15209-013	DECAL - FUEL TYPE GASOLINE	1
14	15209-014	DECAL - CHECK OIL	1
15	300144-18	LIFTING EYE ASSEMBLY	1
16	18000-033	ENGINE GENERATOR ASSEMBLY	1
17	23590-002	CURVED HEAD BOLT 5/16-18 X 1 3/4	8
18	15687-042	HEAT SHIELD	1
19	300216-310	LEFT SIDE RAIL	1
20	15209-102	DECAL-DANGER CARBON MONOXIDE	1
21	15209-100	UL-DECAL ELECTRICAL SHOCK CAN KILL (FRENCH)	1
22	15209-101	DECAL, GASOLINE DANGER, FRENCH	1

Engine and Generator



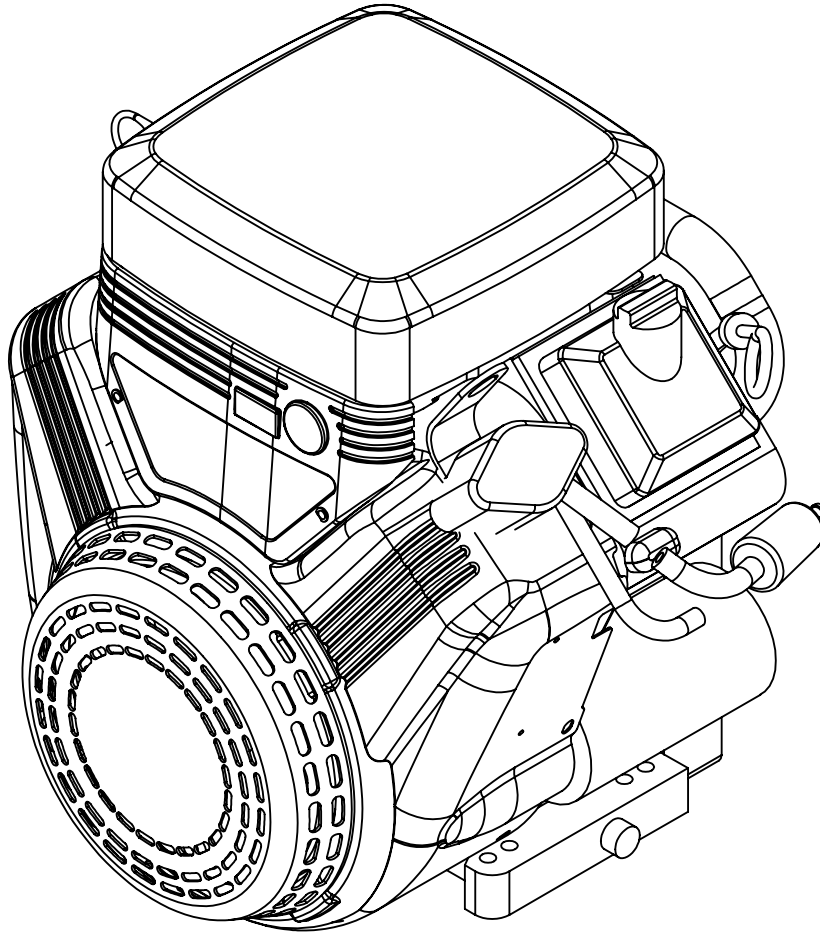
ITEM NO.	PartNo	DESCRIPTION	REV B /QTY.
1	15461-001	B&S, 18 HP ENGINE	1
2	481-000	LOCK 3/8 SPLIT	4
3	91658-001	.375 - 16 X1 HHB	4
4	62999-001	HOSE CLAMP .5 OD RED	2
5	98771-005	FUEL VALVE 1/4" HOSE BARB	1
6	15767-029	BATTERY CABLE + 21"	1
7	15767-034	BATTER CABLE - 29"	1
8	16249-000	.3125-18 FLANGE	1
9	9416-000	.3125-18X1.75 HHB	1
10	16346-025	GEN END ES20FS-160 11.4KW	1
11	64908-001	HHCS M8-1.25X35MM 8.8GR ZINC	4
12	16446-000	M8-1.25 NYLOCK	4

Cradle and Hardware



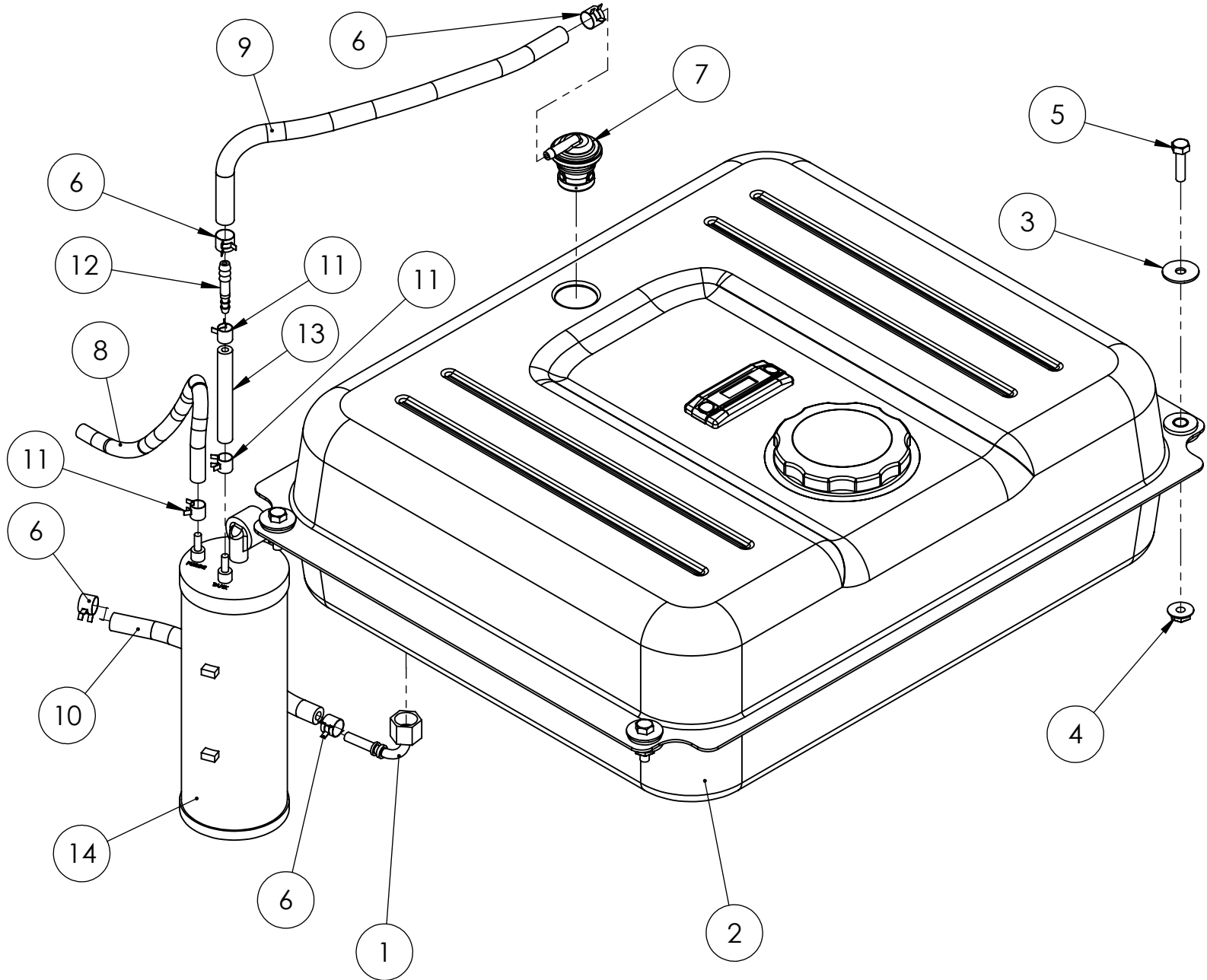
ITEM NO.	PartNo	DESCRIPTION	REV B /QTY.
1	63073-056	WELDED FRAME	1
2	98807-000	SHOCKMOUNT 40 DURO	3
3	15676-019	BATTERY TRAY	1
4	467-000	HHCS 5/16-18X.75	6
5	98806-000	WASHER .406 X 2	3
6	16249-000	.3125-18 FLANGE	9
7	51101-000	.3125-18 X 2.75 HHCS	1
8	21698-001	TORX PAN HEAD SCREW #10	5
9	96286-002	FLAT WASHER NYLON	5
10	95568-000	THREAD STUD 10-24 X .625	3
11	16336-011	BATTERY SUPPORT	1
12	91107-000	5/16-18 X 3.5	2
13	99671-000	#10-24 HEX NUT	3
14	9769-175	LEADWIRE ASSEMBLY (GROUND)	1

Engine Parts



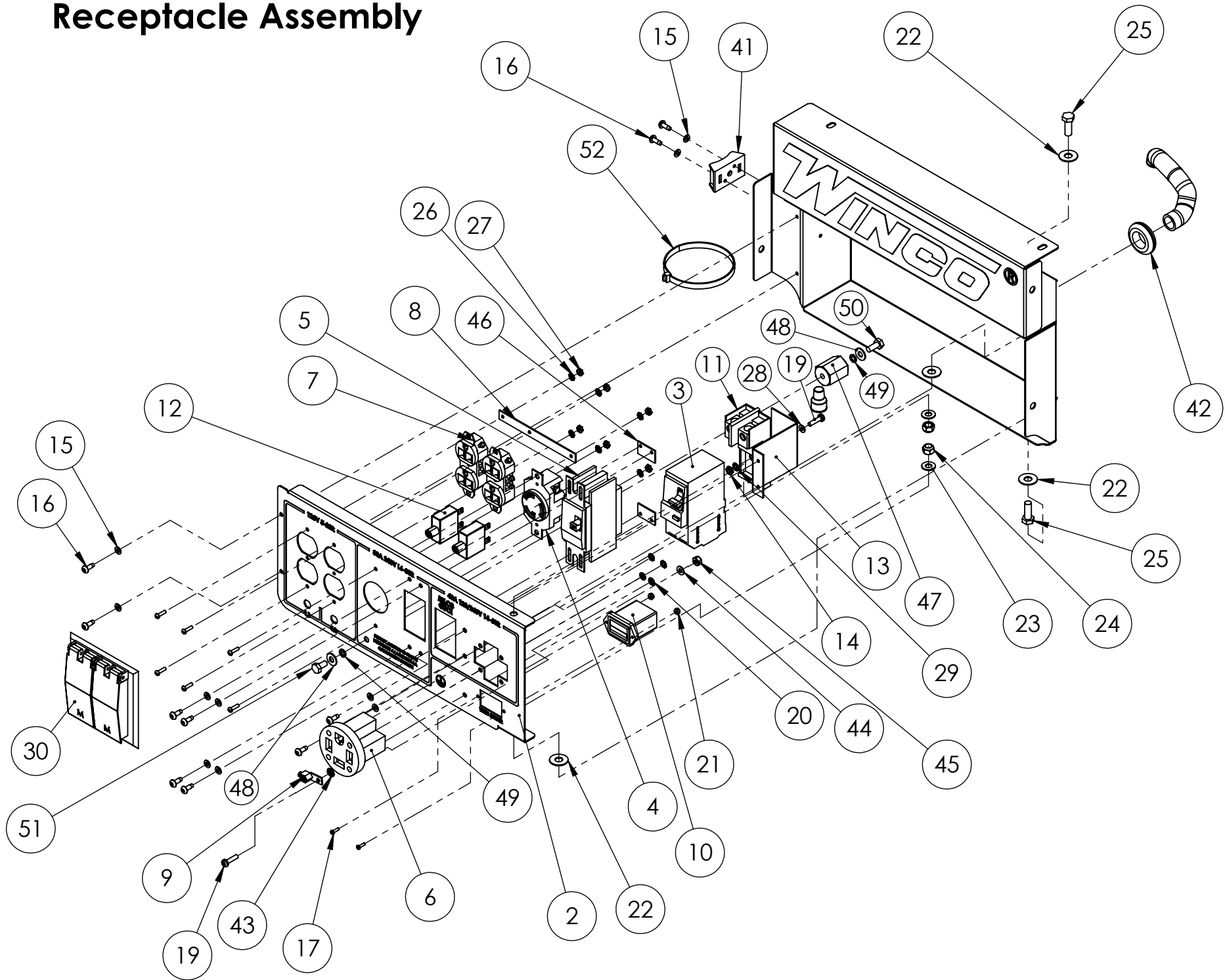
ITEM	PART	DESCRIPTION	QTY
1	2-109	SPARK PLUG	2
2	2-106	FUEL FILTER	1
3	2-110	FUEL PUMP	1
4	24018-100	KEY	1
6	2-111	STARTER	1
7	16288-112	STARTER SOLENOID	1
8	16247-101	EXHAUST MANIFOLD GASKET	2
9	2-112	MANIFOLD	1
10	2-113	MUFFLER	1
Contact WINCO service or your Briggs and Stratton dealer for full engine part support.			

Fuel System



ITEM NO.	PartNo	DESCRIPTION	REV B /QTY.
1	64024-101	90 DEGREE FUEL TANK ELBOW	1
2	64024-013	FUEL TANK 7 GAL. STEEL GASOLINE	1
3	267-002	FLAT WSH 9/32X1X.063	4
4	16248-000	.25-20 FLANGE NUT	4
5	439-000	.25-20 X 1 HHB	4
6	62999-001	HOSE CLAMP .5 OD RED	4
7	80903-002	SLOSH VALVE 1/4" HOSE	1
8	40077-007	HOSE 3/61" ID RUBBER 12" CUT	1
9	40078-023	HOSE 1/4 ID RUBR 10.75IN	1
10	40078-025	HOSE 1/4 ID RUBBER 5.75"	1
11	62999-005	HOSE CLAMP .41 OD GREEN	3
12	98590-002	HOSE REDUCER 1/4X3/16 (SCP)	1
13	40077-010	HOSE 3/16" ID RUBBER 3" CUT	1
14	80902-000	CARBON CANISTER, 7 GAL.	1

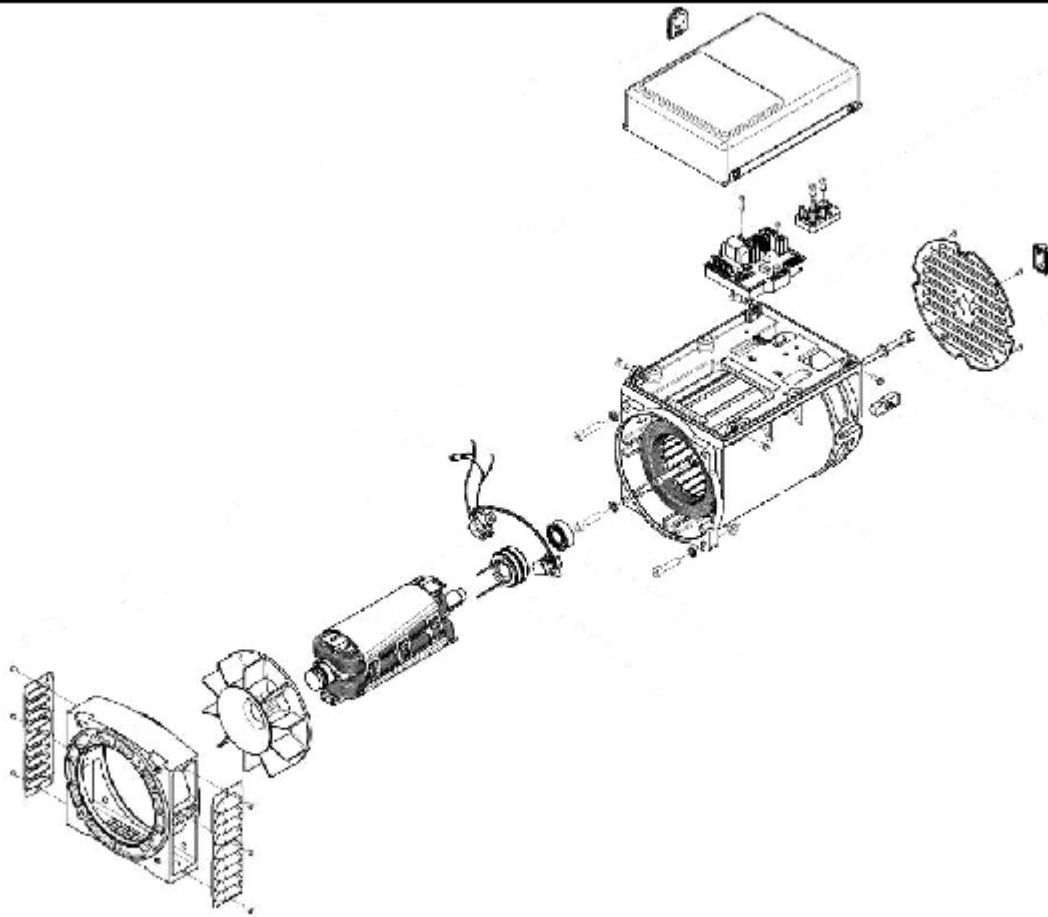
Receptacle Assembly



Receptacle Assembly

ITEM NO.	PartNo	DESCRIPTION	/QTY.
1	15221-044	RECEPTACLE BOX	1
2	15458-047	RECEPTACLE COVER	1
3	16488-004	CIR.BRK.40A-2PL-240V-GFCI	1
4	57324-000	NEMA L6-30R	1
5	57030-002	CIR. BRK. 30A-2PL-240V	1
6	300136	NEMA 14-60R	1
7	50766-000	NEMA 5-20R DUPLEX RECEPTACLE	2
8	64045-043	MOUNTING STRAP, 3 HOLE, 1.80IN AND 2.80IN	1
9	48042-001	TERMINAL, GROUND LUG, 6-14AWG	1
10	58166-001	RUNNING TIME METER	1
11	16489-001	2 POLE CIRCUIT BRK. TERM. BLOCK	1
12	91286-001	CIRCUIT BREAKER, 20A, 1 PL	2
13	16319-000	BRACKET, C.B. MOUNTING	1
14	456-000	10-24 HEX NUT	1
15	96286-002	FLAT WASHER NYLON	10
16	21698-001	TORX PAN HEAD SCREW #10	10
17	97322-000	RHMS 4-40X3/8	2
18	7792-001	BZ RHMS 6-32X.5	6
19	420-000	RHMS 10-24 X .75	2
20	21976-000	#8 LOCKWASHER EXTERNAL TOOTH	4
21	97327-000	HEX NUT 4-40 NYLOK	2
22	526-000	FLAT WASHER 5/16 3/8	4
23	65005-001	5/16 WASHER SS	2
24	47136-000	HEX NUT .3125-18 NYLOK	2
25	465-000	.3125-18X.875 HHB	2
26	22989-000	#6 LOCKWASHER	6
27	394-000	NUT HEX #6-32	6
28	511-000	#8 FLATWASHER	1
29	22423-000	LOCKWASHER #10	1
30	15620-009	STD DUPLEX COVER 5-20R	1
31	81964-000	TERMINAL FEMALE 22-18 GA .250	2
32	48602-001	TERMINAL FEMALE 16/14AWG .250	4
33	22370-007	TERMINAL SPADE 16/14AWG #10STUD	3
34	21850-002	TERMINAL HOOK 16-14 AWG #10STUD	3
35	4156-000	TERMINAL RING 12-10 #10 STUD	8
36	22370-013	TERMINAL, SPADE, 12-10AWG, #10 STUD (TAPE)	1
37	4155-000	TERMINAL LUG (RING)	3
38	81963-002	TERMINAL RING 22-16 AWG #10 STUD	1
39	51319-000	TERMINAL SPLICE CAP COPPER	1
40	51320-000	TERMINAL, NYLON INSULATOR CAP	1
41	81902-000	MOUNTING BRACKET	1
42	16302-000	GROMMET .875ID X 1.25	1
43	21975-000	#10 INT. TOOTH LOCKWASHER	1
44	598-000	#10 WASHER	1
45	5315-000	NUT HEX 10-24 NYLON	1
46	64045-032	MOUNTING STRAP, 0.75IN SPACING	2
47	94378-000	STAND-OFF INSULATOR	1
48	512-000	.25 WASHER	2
49	479-000	LOCK WASHER, .25" SPLIT	2
50	476-000	.25-20X.625 HHB	1
51	463-000	HEX BOLT .25-20X.50	1
52	49975-013	CABLE TIE 14IN BLACK 120# PULL	1

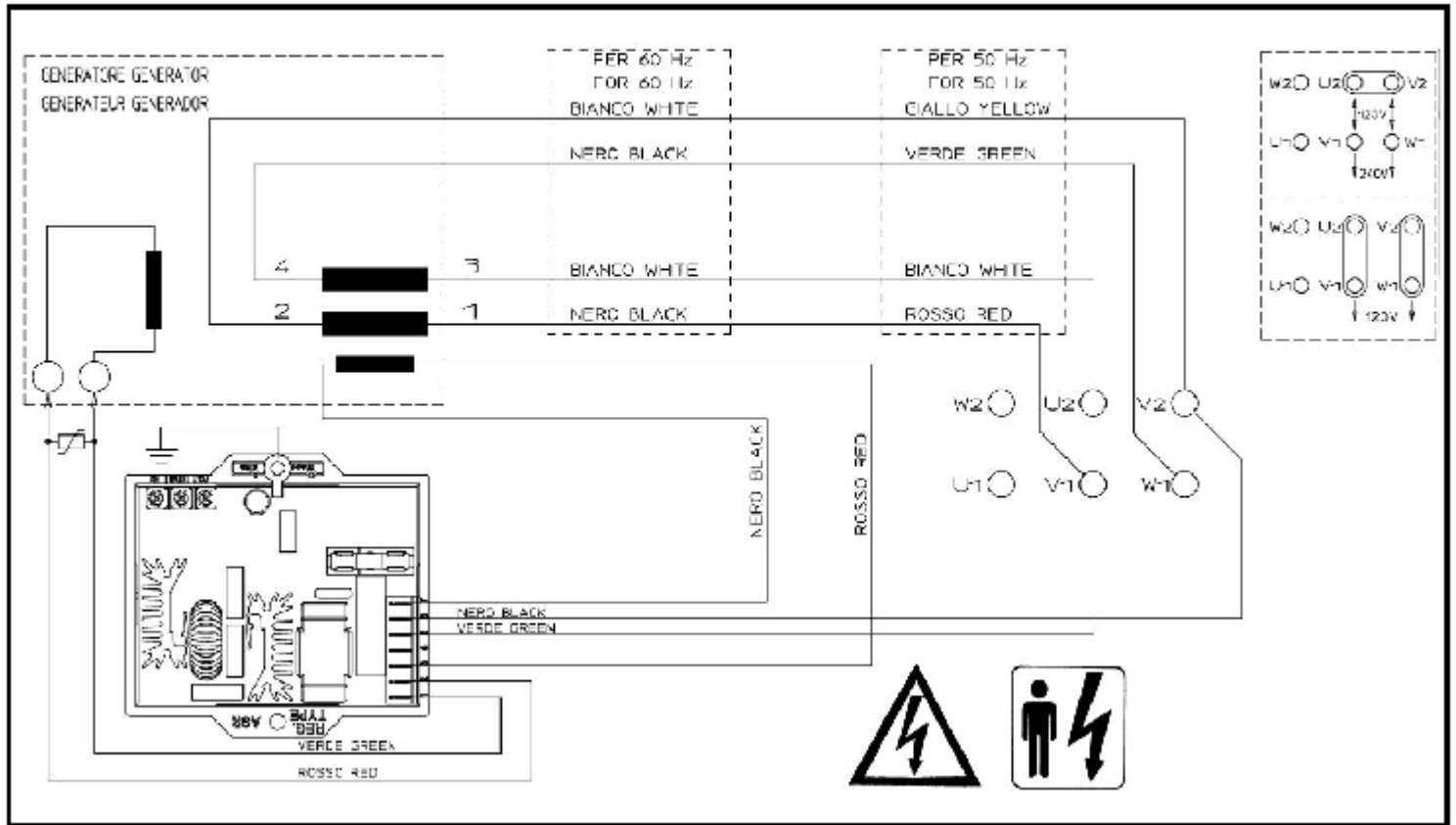
Generator End



ITEM	PART	DESCRIPTION	QTY
1	16346-025	ES20FS-160 COMPLETE GENERATOR	1
2	9-102	TERMINAL BOX LID	1
19	54665-000	REAR BEARING 6205-2RS	1
23	16346-420	ASR ELECTRONIC REGULATOR	1
41	9-103	BRUSH ASSEMBLY	1
75	9-104	RUBBER GROMMET	1
107	9-105	RUBBER END CAP	1

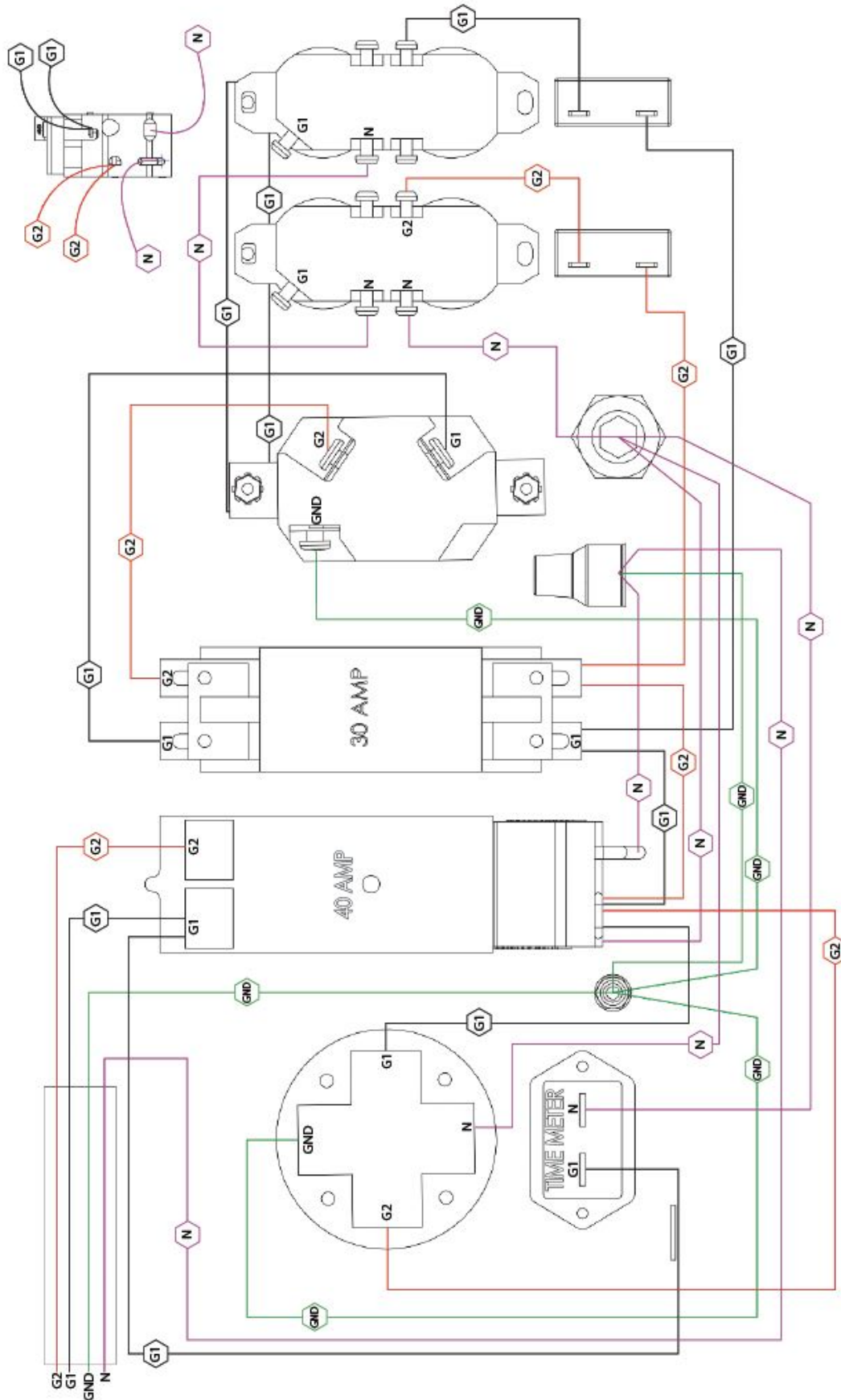
Generator Wiring

ES SERIES



ES20FS-160 EXPECTED RESISTANCE (Ω)		
ROTOR	STATOR	EXCITATION
11.002	0.21	0.61

Wiring Diagram



Engine Wiring

Typical Regulated Wiring Diagram

