

Schematic B91323
 Control Box
 Assy. C91258-7
 Complete Unit
 Part # D91276-8
D91276-10

 REPAIR
 PARTS LIST
 #598

Size 35,000 Watts
 Unit
 Model # CSA35PT0C-4/A
(540 RPM)
 *CSA35FTPOC-4/A
(1000 RPM)

<u>DESCRIPTION</u>	<u>PART #</u>	<u>QTY.</u>	<u>DESCRIPTION</u>	<u>PART #</u>	<u>QTY.</u>
GENERATOR			CONTROL BOX ASSY.		
Rotor Assy. Complete	91237	1	Receptacle Panel (Bare)	91283-1	1
Rotor Bearing			Circuit Breaker Main Line		
Fan End	91112	1	100 Amp, 3 Pole	81095-5	1
Rotor Bearing			Receptacle (Octopus)	91353	1
Brush End	91111	1	Octopus Plug	91352	1
Fan (Impeller)	91101	1	Allen Wrench	55002-2	1
Stator & Shell Assy.	91148-2	1	Circuit Breaker 50 Amp, 2 Pole	57030	1
Brush	23607	4	Receptacle (50A)		
Brush Holder	23500	4	(240V) (1 Ø)	57325	1
Rectifier	91452	1	Plug (50A)		
			(240V) (1 Ø)	58230	1
GEAR BOX			Circuit Breaker		
Seal (Input Shaft)	91247	1	15 Amp, 1 Pole	91286	1
Gear (Drive Input (540 RPM)*	91118*	1	Receptacle (15A)		
Pinion (540 RPM)**	91225**	1	(120V) Duplex	24749	1
Gasket	91104	1	Transformer	91187-1	1
Seal (Gen. Shaft)	91116	1	Voltmeter	91374	1
Bearing (Gear Box)	91250	2			
Shaft (Drive Input)	91344	1			
Vent Plug	40716	1			
Shaft Safety Shield	91171	1			

NOTE - for CSA35FPT0C-4/A, 1000 RPM

*Gear (Drive Input) 91248 1
 **Pinion 91224 1



Division of Dyna Technology, Inc.

225 South Cordova St. / LE CENTER, MINNESOTA 56057

Phone: (612) 357-6821

RPL#598

Feb. 78

PTO GENERATOR SCHEMATIC

91323

Page 1 of 2

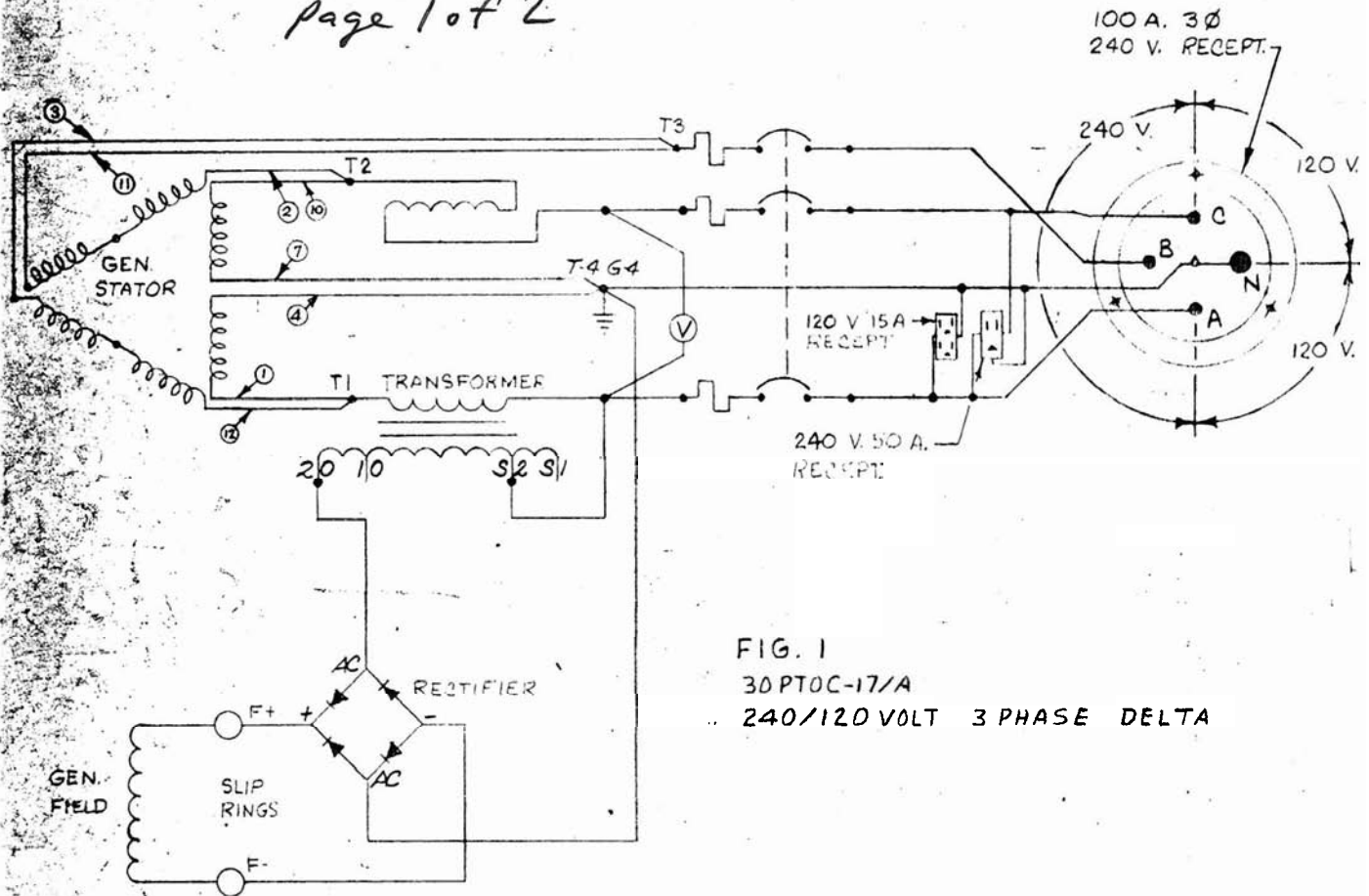


FIG. 1
30PTOC-17/A
240/120 VOLT 3 PHASE DELTA

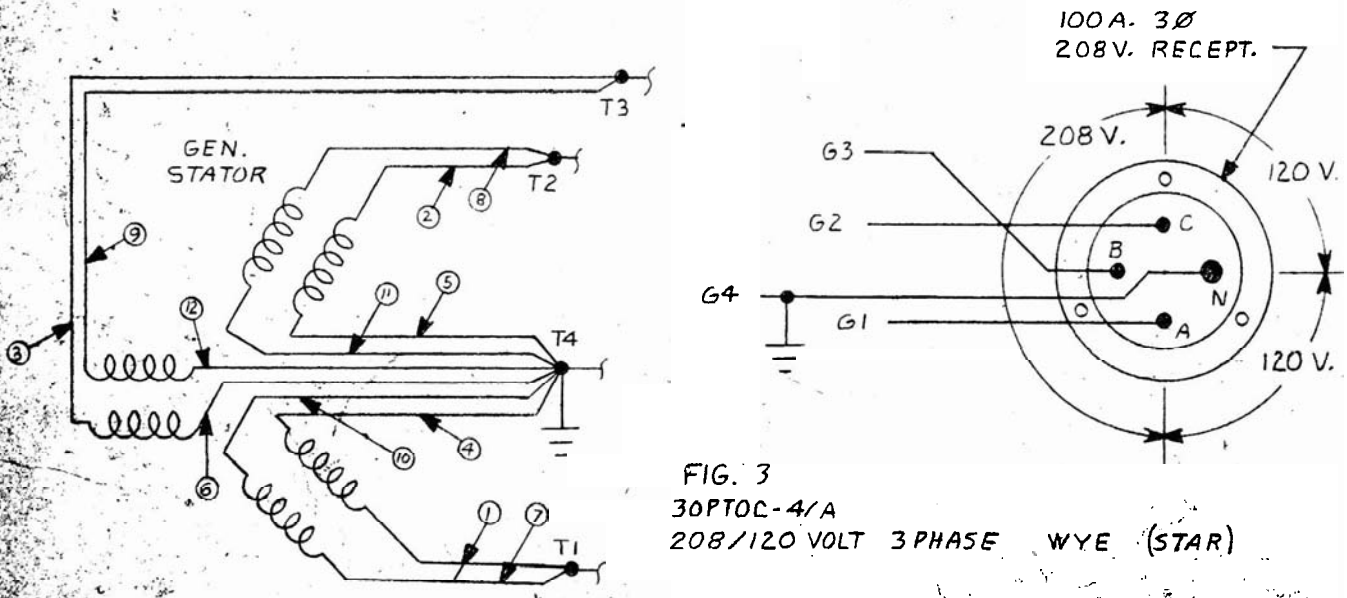


FIG. 3
30PTOC-4/A
208/120 VOLT 3 PHASE WYE (STAR)

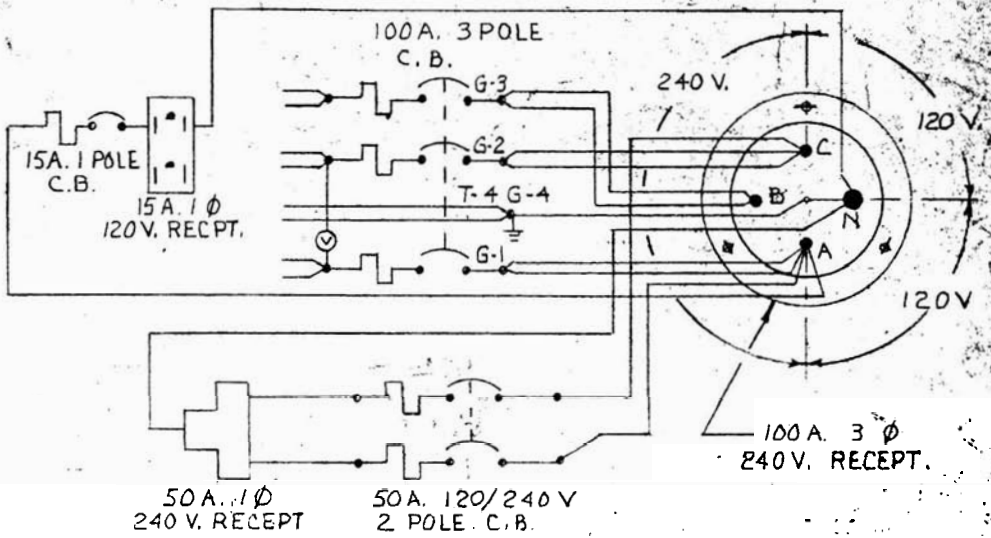
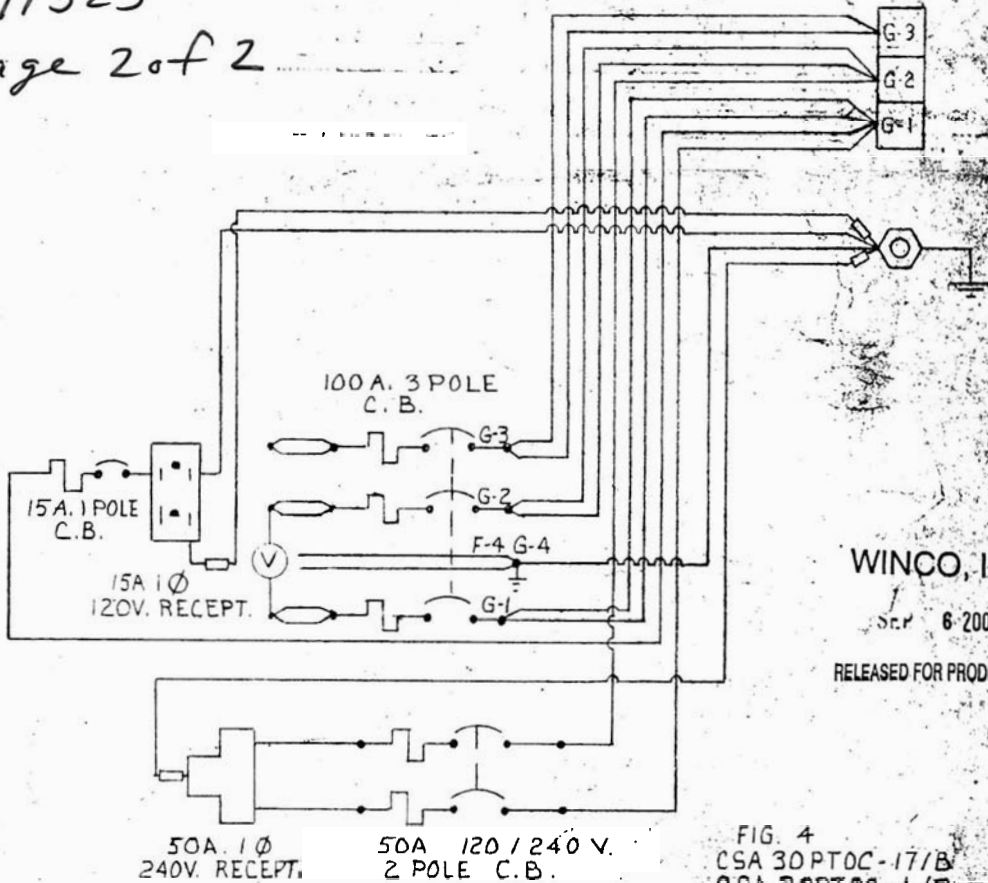


FIG. 2
CSA 30PTOC-17/A

91323
page 2 of 2



WINCO, INC.

Scr. 6-2000

RELEASED FOR PRODUCTION

FIG. 4
CSA 30PTOC-17/B
CSA 30PTOC-4/B