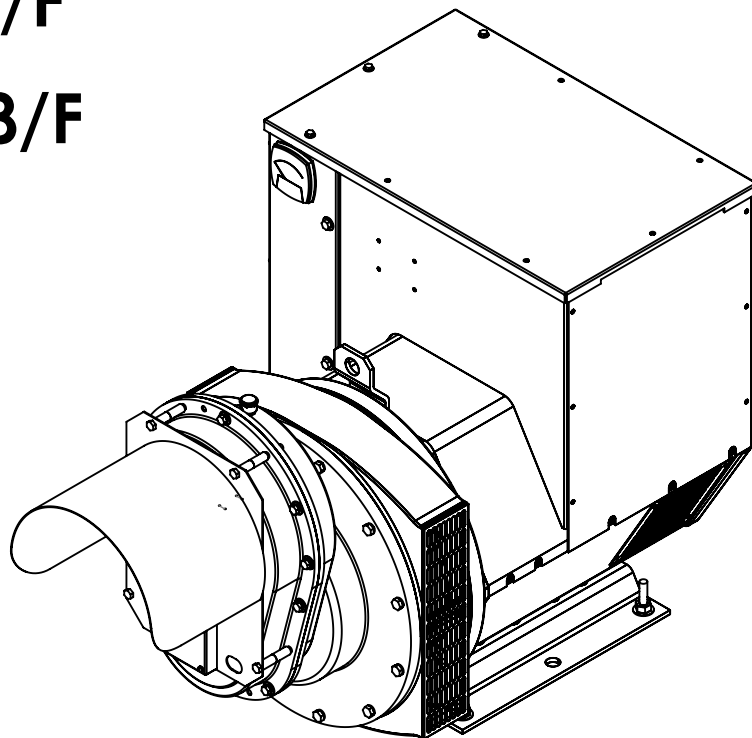


**W145PTOS-17/F**

**W145PTOS-4/F**

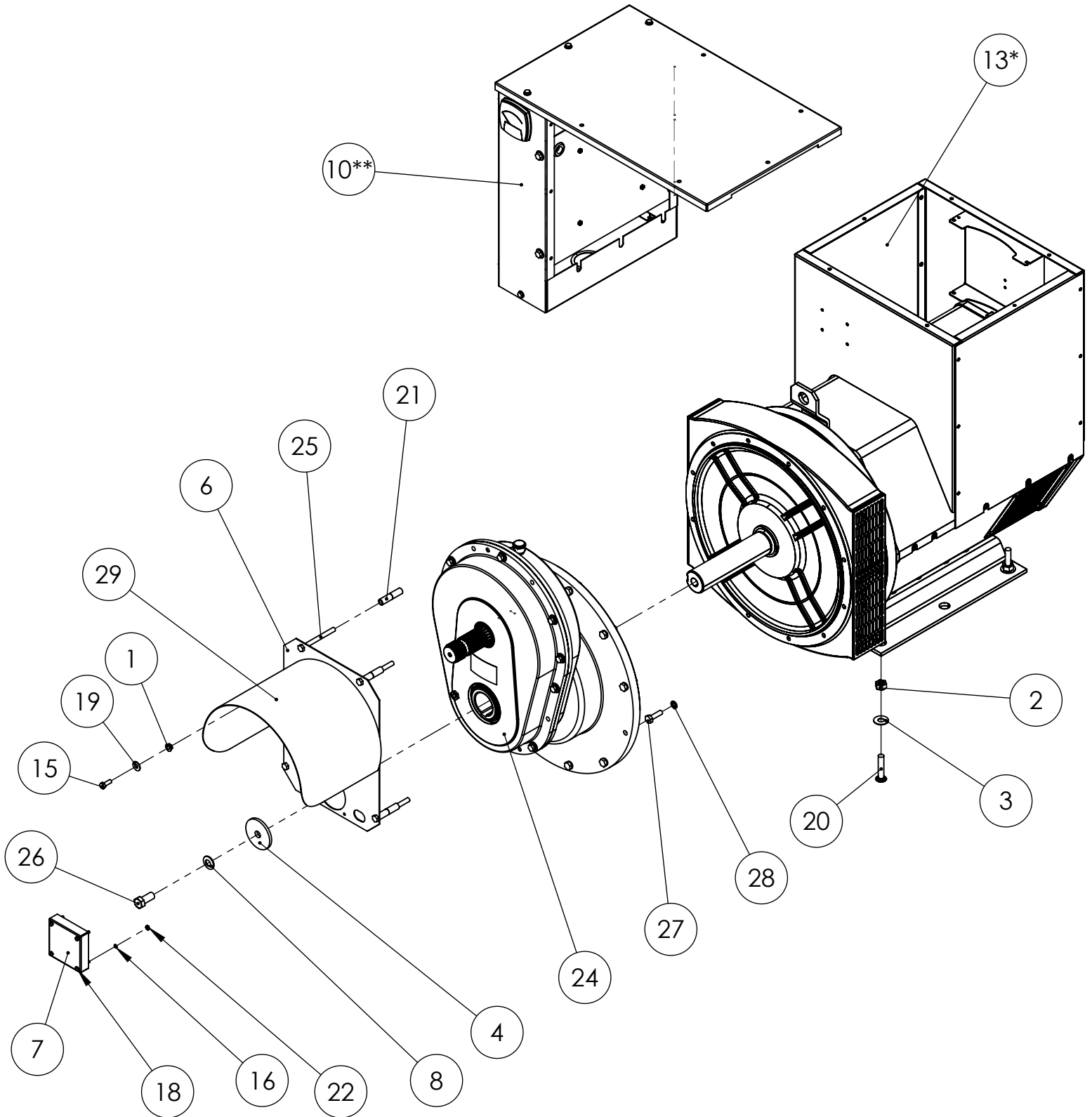
**W150PTOS-3/F**

**W165PTOS-18/F**



**WINCO Service**  
Phone: 507-357-6831  
Email: [service@wincogen.com](mailto:service@wincogen.com)  
[www.wincogen.com](http://www.wincogen.com)

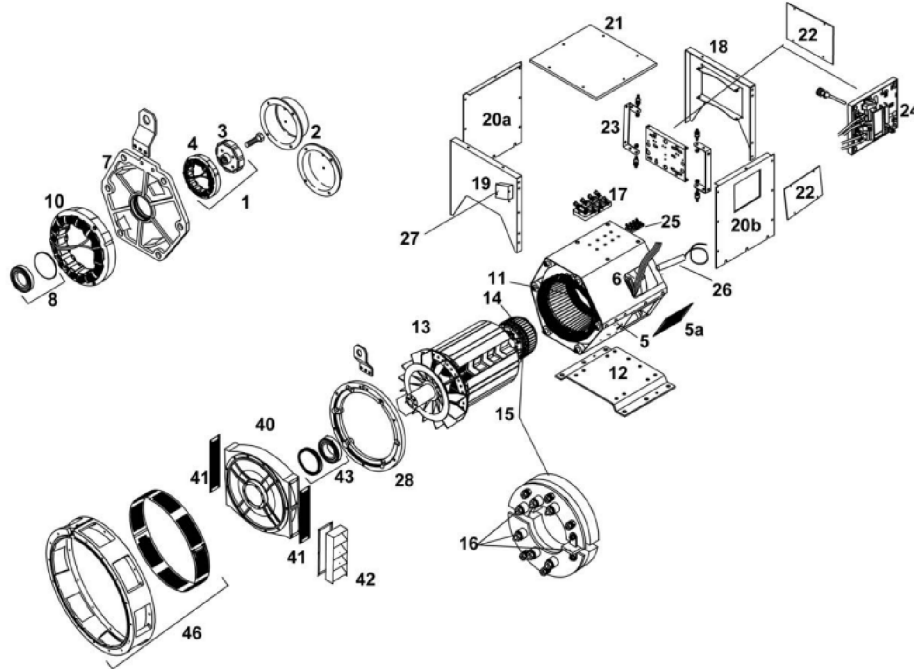
# GENERAL ASSEMBLY PARTS LIST



# GENERAL ASSEMBLY PARTS LIST

ITEM NO.	PART NUMBER	DESCRIPTION	QTY.
1	16249-000	.3125-18 FLANGE	4
2	1744-000	NUT HEX 1/2-13	4
3	21867-000	FLAT WASHER	4
4	300096	WASHER SHAFT	1
5**	300101-20	MLCB PANEL ASSY. (64868-015)	1
6	300104	SUPPORT, PTO GUARD	1
7	300105	GUARD, LOWER SHAFT	1
8	300106-1	WASHER BLVL	1
9**	300113-11	REC. PANEL ASSY. (64868-015)	1
10**	300173-12	CIRCUIT BREAKER INSTALLATION (64868-014)	1
11**	300173-14	CIRCUIT BREAKER INSTALLATION (64868-013)	1
12**	300173-16	CIRCUIT BREAKER INSTALLATION (64864-012)	1
13*	351811-4	GEN.END, UCI274F2L (64868- 013/014/015)	1
14*	351811-41	GEN. END, UCI274F (64864-012)	1
15	465-000	.3125-18X.875 HHB	4
16	484-000	LOCKWASHER #10 SPLIT	4
17	512-000	.25 WASHER	2
18	52464-002	RHMS 10-32X1.5	4
19	526-000	FLAT WASHER 5/16_3/8	4
20	61603-005	BOLT CRG 1/2-13 X 2.5" ZINC	4
21	62825-004	SPACER	8
22	6372-000	#10-32 HEX NUT	4
23	64894-005	NAMEPLATE & DECAL INSTALL	1
24	91099-004	GEARCASE ASSEMBLY	1
25	91658-015	.375X16X4 HHB	4
26	93680-004	HHCS 5/8-11X5 GR. 8	1
27	94282-035	M10-1.5X35MM	12
28	97436-010	M10 LOCKWASHER	12
29	S7606	PTO GUARD	1
30	15715-101	DECAL KIT, PACKAGING, SMALL CRATES	1

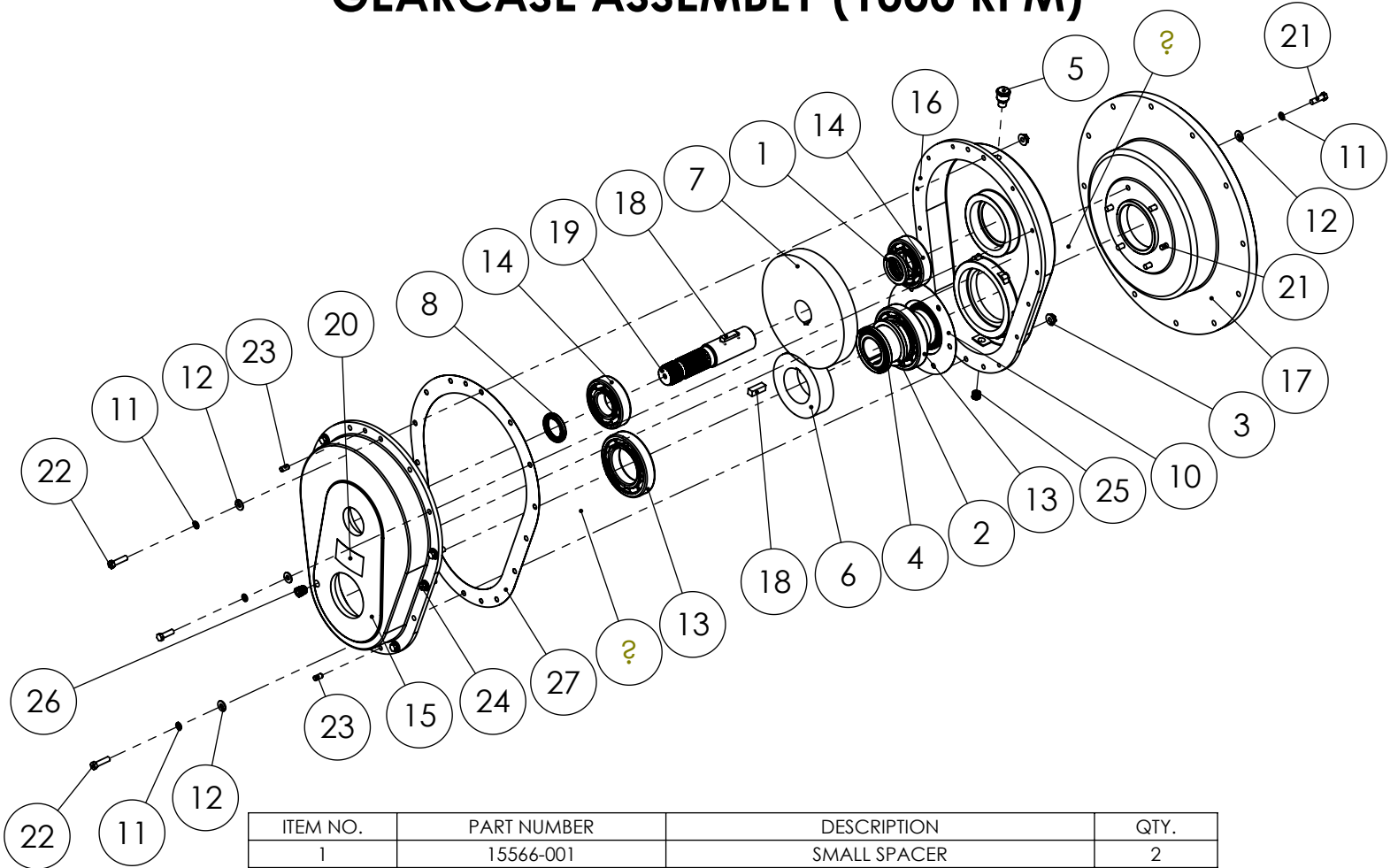
# GENERATOR INFORMATION



EXPECTED RESISTANCE ( $\Omega$ ) @ 22C		
MODEL	UCI274F 06	UCI274F 311
STATOR WINDING (PER PHASE SERIES CONNECTED)	0.01	0.024
ROTOR WINDING	1.52	1.52
EXCITER STATOR	20	20
EXCITER ROTOR (PER PHASE)	0.091	0.091
POSITIVE SEQUENCE (R1)	0.08	0.08
NEGATIVE SEQUENCE (R2)	0.14	0.14
ZERO SEQUENCE (R0)	0.09	0.09

ITEM	DESCRIPTION	64864-012	64868-01X
-	COMPLETE GENERATOR END	351811-41	351811-4
-	STAMFORD MODEL	UCI274F	UCI274F
-	WINDING	06	311
24	AVR AS440	350818-2	350818-2
For additional parts support, contact WINCO service			

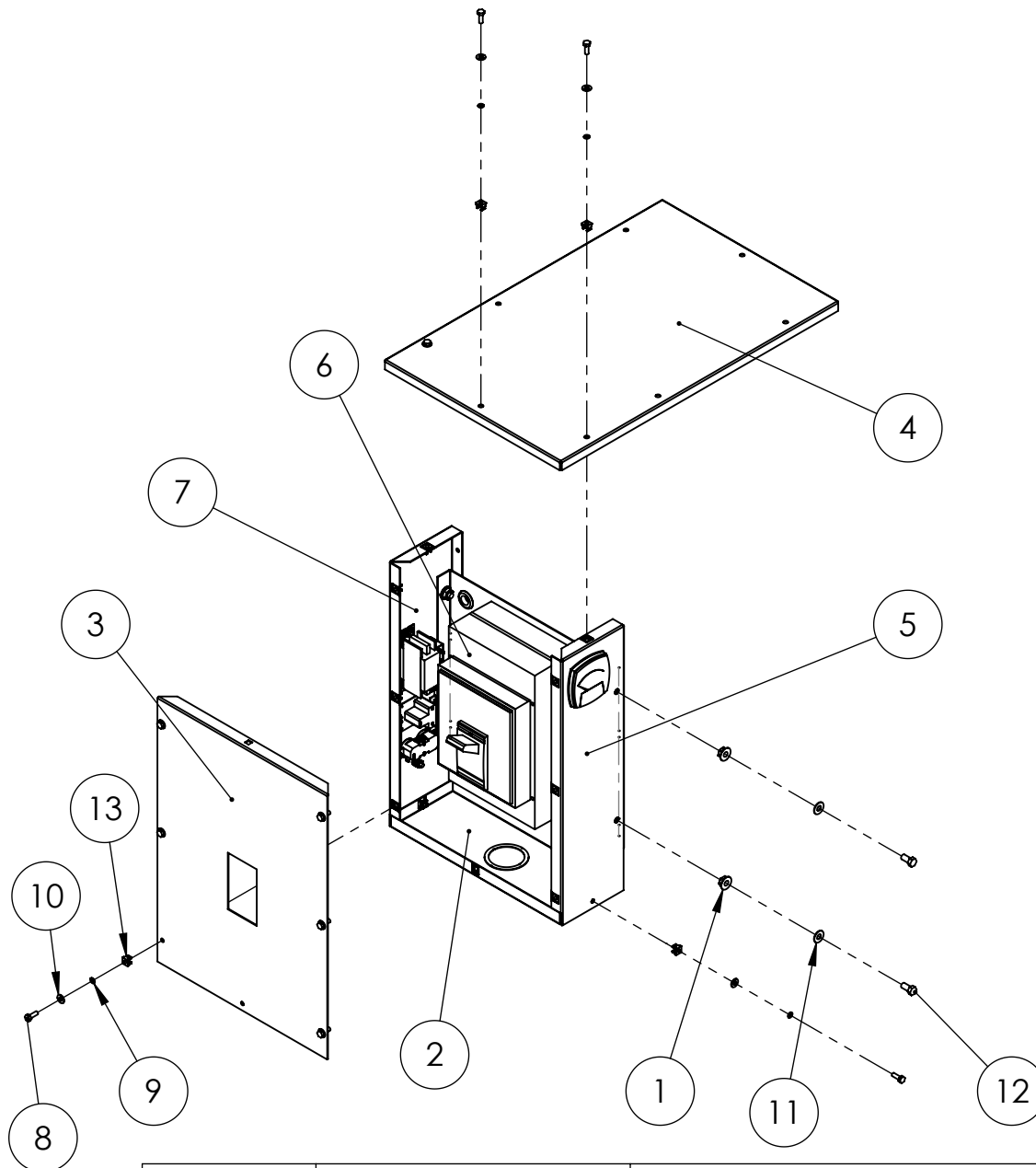
# GEARCASE ASSEMBLY (1000 RPM)



ITEM NO.	PART NUMBER	DESCRIPTION	QTY.
1	15566-001	SMALL SPACER	2
2	15566-002	LARGE SPACER	2
3	16250-000	.375-16 FLANGE NUT	2
4	20128-001	SLEEVE	1
5	40716-000	BREATHER ASSEMBLY	1
6	46547-003	30T LH HELICAL PINION	1
7	46548-003	54T RH HELICAL GEAR	1
8	46912-001	1.75X2.50X.313 TB-H SHAFT SEAL	1
9	46912-002	3.125X4.003X.375 TB-H SHAFT SEAL	2
10	46912-004	LARGE RED GEARBOX GASKET	1
11	481-000	LOCK .375 SPLIT	16
12	526-000 *	WASHER ID .375 OD .890	16
13	54665-001	6216 BEARING	2
14	54665-002	6310 BEARING	2
15	91099-001	GEAR CASE FRONT COVER	1
16	91099-002	GEAR CASE BACK COVER	1
17	91100-003	GEAR CASE SUPPORT 21IN	1
18	91123-002	MACHINE KEY 1/2 X 1/2 X 1-1/2	2
19	91344-001	INPUT SHAFT, 1-3/4 20 SPLINE	1
20	91369-001	DECAL- 1000 RPM	1
21	91658-002*	HHCS 3/8-16X1.25	6
22	91658-003	.375-16X1.5 HHB	2
23	95934-000	DOWEL PIN 3/8X3/4	2
24	96000-003	HHCS 3/8-16 X 1.25 BLACK	8
25	97269-001	ZINC SOCKET HEAD PIPE PLUG .375NPT - MAGNETIC	1
26	97269-002	.375-18 NPT GLASS SIGHT	1
27	97986-005	GEAR CASE GASKET	1

# CIRCUIT BREAKER INSTALLATION ASSEMBLY

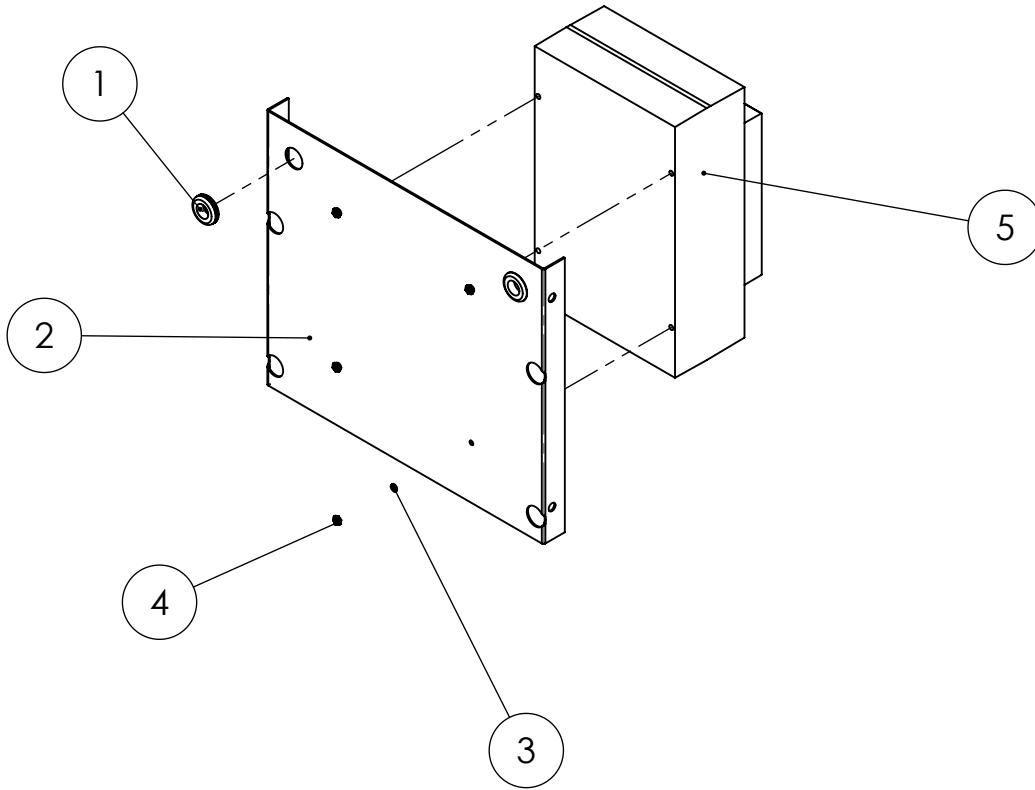
\* THIS PANEL (P/N 300173-12)  
WORKS WITH MODEL  
W145PTOS-17/F ONLY.



ITEM NO.	PART NUMBER	DESCRIPTION	QTY.
1	16250-000	.375-16 FLANGE NUT	4
2	300167-1	TERMINAL BOX BOTTOM	1
3	300168-1	CB COVER	1
4	300170-1	TOP, TERMIAL BOX	1
5	300171-1	REAR PANEL ASSEMBLY	1
6	300173-7	ASSEMBLY, MLB PANEL-500A, 3PH	1
7	300184	RECEPTACLE PANEL ASSEMBLY	1
8	466-000	.25-20X.75 HHB	11
9	479-000	LOCK WASHER, .25" SPLIT	11
10	512-000	.25 WASHER	11
11	526-000	FLAT WASHER 5/16_3/8	4
12	91658-011	HHCS 3/8-16 X .75	4
13	92495-000	.25-20 16GA TINNEMAN NUT	11

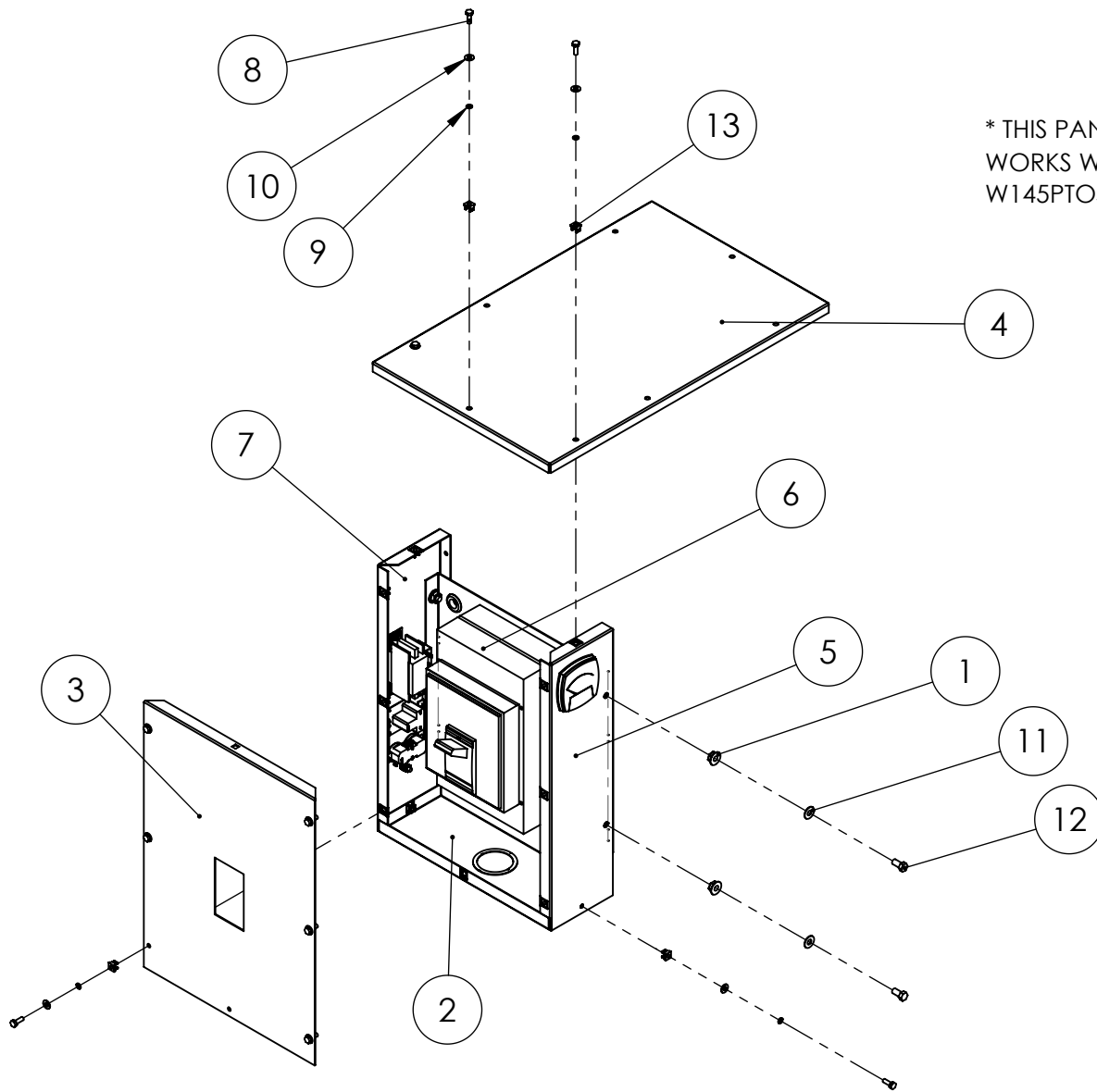
# MLCB PANEL ASSEMBLY

\* THIS PANEL (P/N 300173-13)  
WORKS WITH PANEL ASSY.  
300173-12 ONLY.



ITEM NO.	PART NUMBER	DESCRIPTION	QTY.
1	23917-000	GROMMET .6875ID X 1	2
2	300174	PANEL, MLB	1
3	484-000	LOCKWASHER #10 SPLIT	4
4	6372-000	#10-32 HEX NUT	4
5	81097-045	CIR.BRK. 450A-3PL-600V, SQD# MGL36450	1

# CIRCUIT BREAKER INSTALLATION ASSEMBLY



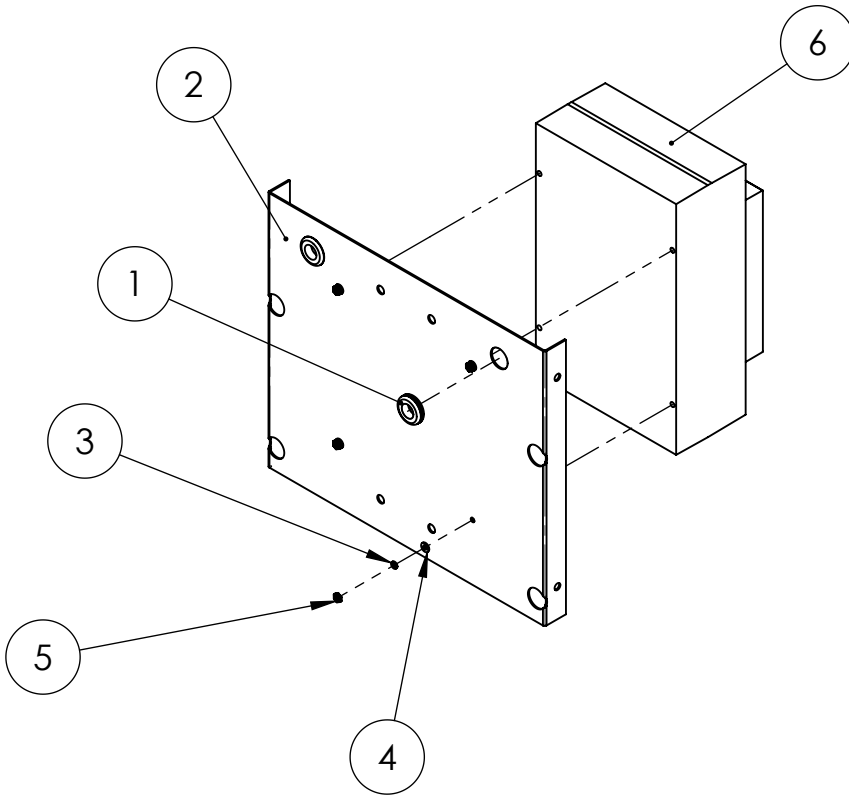
\* THIS PANEL (P/N 300173-14)  
WORKS WITH MODEL  
W145PTOS-4/F ONLY.

ITEM NO.	PART NUMBER	DESCRIPTION	QTY.
1	16250-000	.375-16 FLANGE NUT	4
2	300167-1	TERMINAL BOX BOTTOM	1
3	300168-1	CB COVER	1
4	300170-1	TOP, TERMIAL BOX	1
5	300171-1	REAR PANEL ASSEMBLY	1
6	300173-7	ASSEMBLY, MLB PANEL-500A, 3PH	1
7	300184	RECEPTACLE PANEL ASSEMBLY	1
8	466-000	.25-20X.75 HHB	11
9	479-000	LOCK WASHER, .25" SPLIT	11
10	512-000	.25 WASHER	16
11	526-000	FLAT WASHER 5/16_3/8	4
12	91658-011	HHCS 3/8-16 X .75	4
13	92495-000	.25-20 16GA TINNEMAN NUT	11



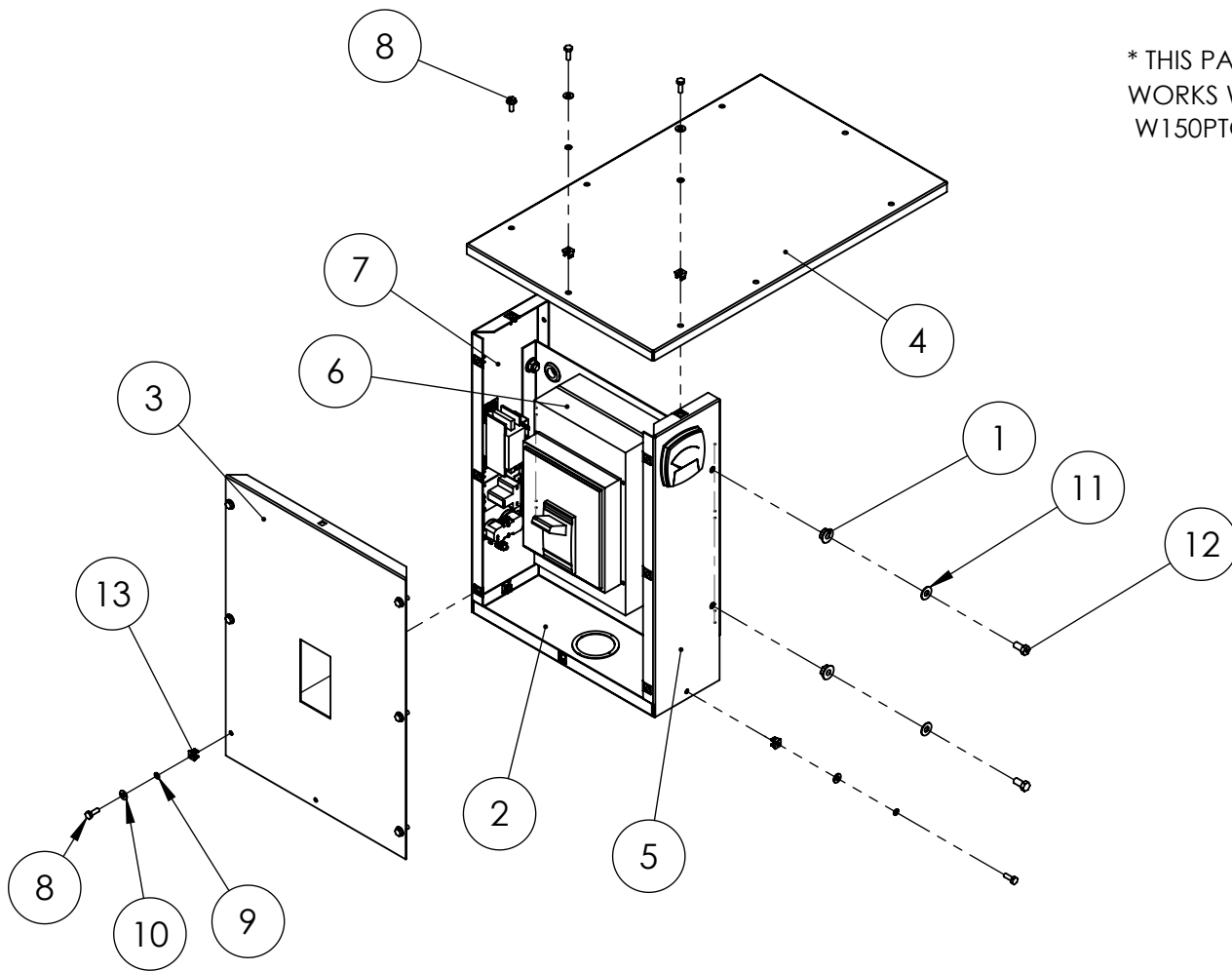
# MLCB PANEL ASSEMBLY

\* THIS PANEL (P/N 300173-7)  
WORKS WITH ASSEMBLY  
300173-14 ONLY.



ITEM NO.	PART NUMBER	DESCRIPTION	QTY.
1	23917-000	GROMMET .6875ID X 1	2
2	300174	PANEL, MLB	1
3	484-000	LOCKWASHER #10 SPLIT	4
4	598-000	#10 WASHER	4
5	6372-000	#10-32 HEX NUT	4
6	81097-045	CIR.BRK. 500A-3PL-600V, SQD# MGL36500, ADJUSTABLE INSTANTANEOUS TRIP	1

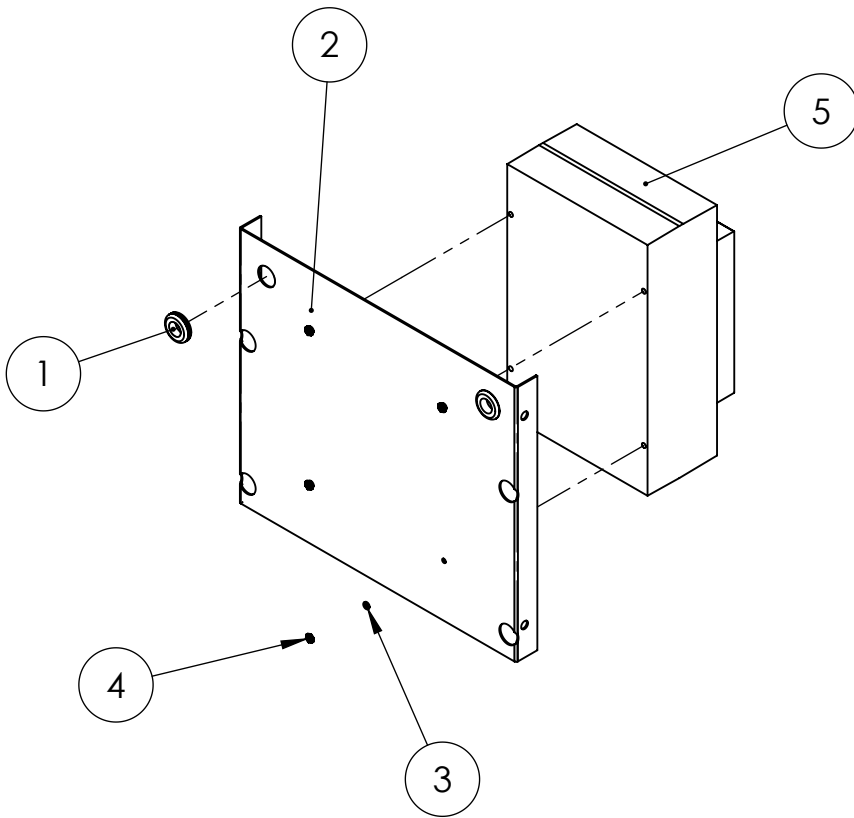
# CIRCUIT BREAKER INSTALLATION ASSEMBLY



\* THIS PANEL (P/N 300113-16)  
WORKS WITH MODEL  
W150PTOS-3/F ONLY.

ITEM NO.	PART NUMBER	DESCRIPTION	QTY.
1	16250-000	.375-16 FLANGE NUT	4
2	300167-1	TERMINAL BOX BOTTOM	1
3	300168-1	SIDE TERMINAL BOX	1
4	300170-1	TOP, TERMIAL BOX	1
5	300171-1	REAR PANEL ASSEMBLY	1
6	300173-2	MLB PANEL ASSEMBLY	1
7	300184	RECEPTACLE PANEL ASSEMBLY	1
8	466-000	.25-20X.75 HHB	11
9	479-000	LOCK WASHER, .25" SPLIT	11
10	512-000	.25 WASHER	11
11	526-000	FLAT WASHER 5/16_3/8	4
12	91658-011	HHCS 3/8-16 X .75	4
13	92495-000	.25-20 16GA TINNEMAN NUT	11

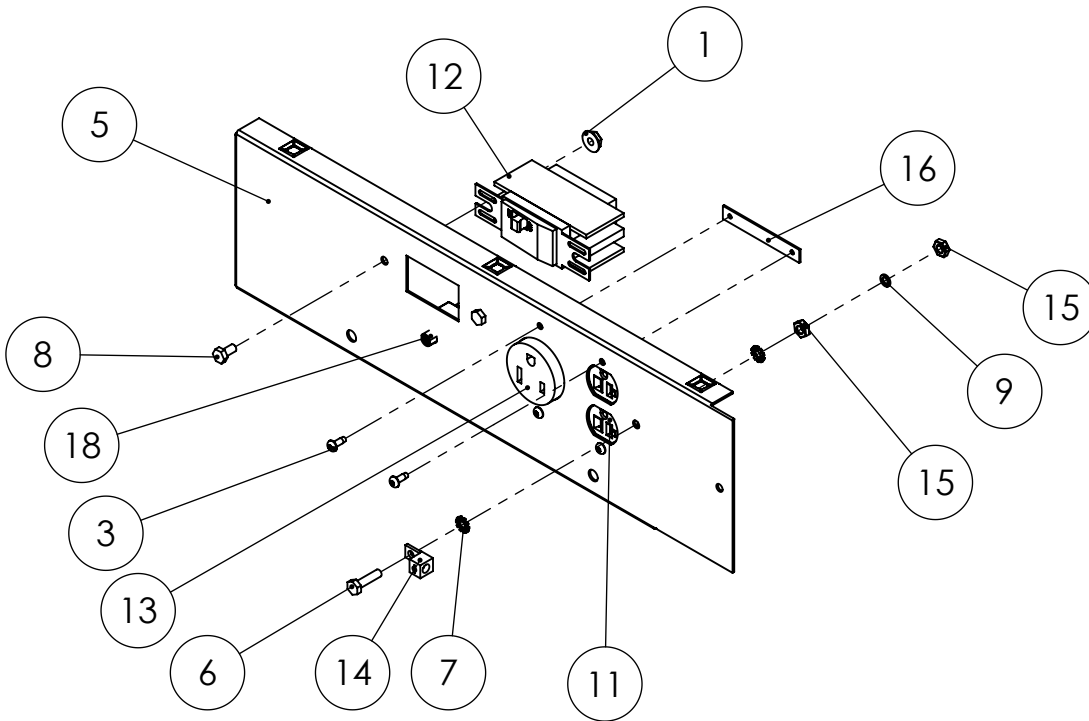
# MLCB PANEL ASSEMBLY



\* THIS PANEL (P/N 300173-2)  
WORKS WITH ASSEMBLY  
300173-16 ONLY.

ITEM NO.	PART NUMBER	DESCRIPTION	QTY.
1	23917-000	GROMMET .6875ID X 1	2
2	300174	PANEL, MLB	1
3	484-000	LOCKWASHER #10 SPLIT	4
4	6372-000	#10-32 HEX NUT	4
5	81094-18	CIR.BRK. 600A-2PL-600V	1

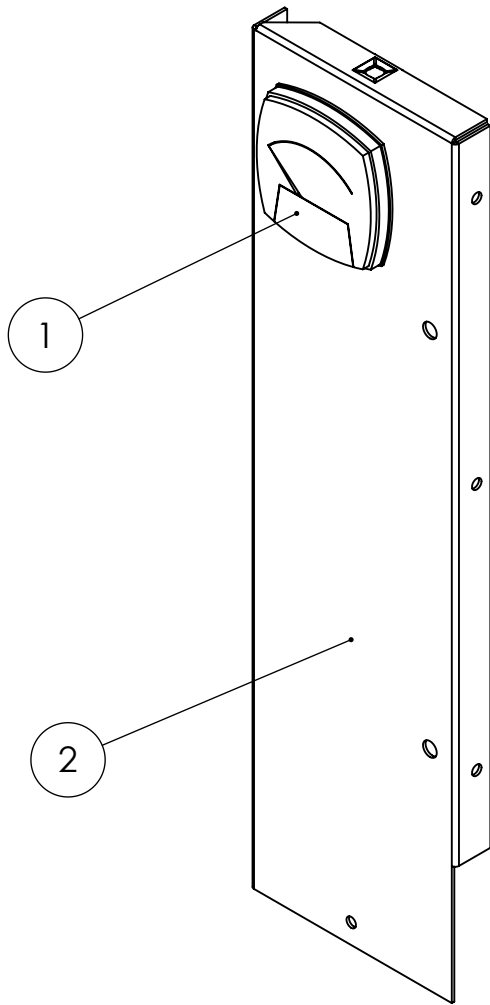
# RECEPTACLE PANEL ASSEMBLY



\* THIS PANEL (P/N 300184)  
WORKS WITH MLCB ASSEMBLIES  
300173-2, 300173-7, AND  
300173-13 ONLY.

ITEM NO.	PART NUMBER	DESCRIPTION	QTY.
1	16248-000	.25-20 FLANGE	2
2	20531-000	TERMINAL RING 12-10AWG 5/16 STUD	2
3	21698-001	TORX PAN HEAD SCREW #10	4
4	21850-002	TERMINAL HOOK 16-14 AWG #10STUD	2
5	300169-1	EXTENSION, LEFT TERMINAL BOX	1
6	439-000	HHB .25-20 X 1	1
7	4516-000	LOCKWASHER 1/4 EXTERNAL TOOTH	2
8	463-000	HEX BOLT .25-20X.50	2
9	479-000	LOCK WASHER, .25" SPLIT	1
10	48602-001	TERMINAL FEMALE 16/14AWG .250	2
11	50766-000	NEMA 5-20R DUPLEX RECEPTACLE	1
12	57030-000	CIR. BRK. 50A-2PL-240V	1
13	57325-000	RECEPTACLE, NEMA 6-50R	1
14	63708-000	TERMINAL LUG	1
15	638-000	HEX NUT, .25IN	2
16	64045-002	MOUNTING STRAP	2
17	7547-000	TERMINAL RING 16/14AWG .375 STUD	1
18	91286-001	CIRCUIT BREAKER, 20A, 1 PL	1
19	91320-002	TERMINAL, RING, 8AWG, 1/2 STUD	2
20	91457-001	TERM RING 10-12AWG .5	1

# REAR PANEL ASSEMBLY

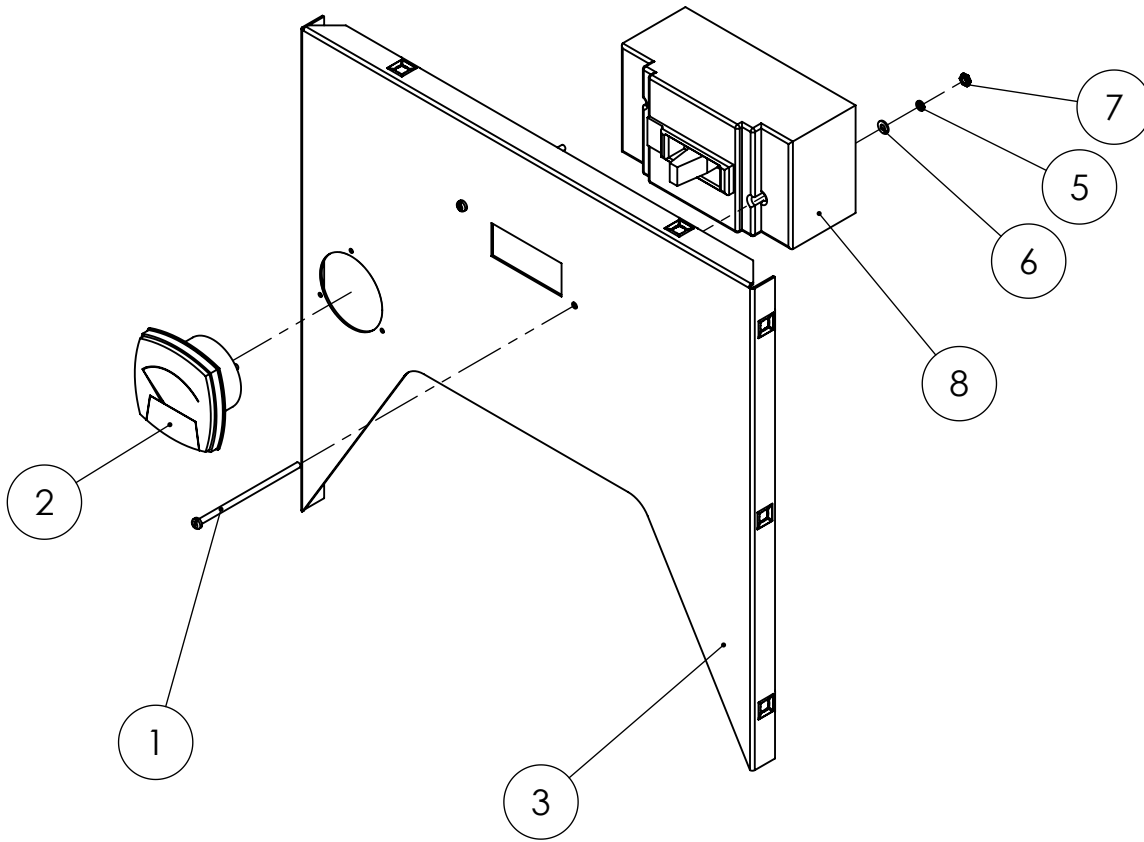


\* THIS PANEL (P/N 300171-1)  
WORKS WITH MLCB ASSEMBLIES  
300173-2, 300173-7, AND  
300173-13 ONLY.

ITEM NO.	PART NUMBER	DESCRIPTION	QTY.
1	300102	FREQUENCY METER, 55-65HZ, 120V	1
2	300169-2	EXTENSION, RIGHT TERMINAL BOX	1
3	4160-000	TERMINAL, RING, 16-14AWG, 1/4 STUD	2
4	7547-001	TERMINAL RING 16/14AWG 3/8 STUD	2

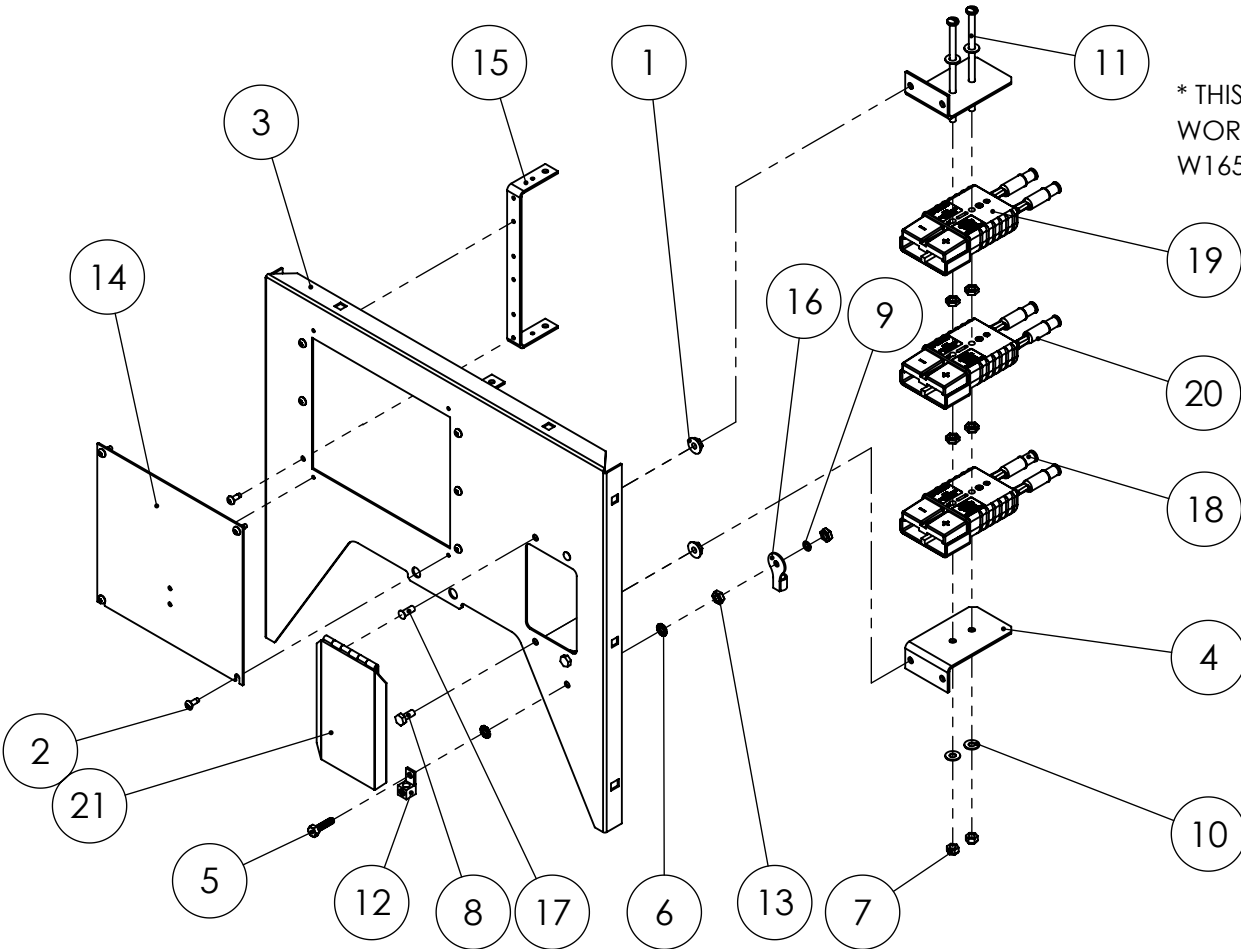
# CIRCUIT BREAKER INSTALLATION ASSEMBLY

\* THIS PANEL (P/N 300101-20)  
WORKS WITH MODEL  
W165PTOS-18/F ONLY.



ITEM NO.	PART NUMBER	DESCRIPTION	QTY.
1	24864-000	RHMS 10-32 X 4.5	2
2	300102	FREQUENCY METER, 55-65HZ, 120V	1
3	350098-8	PANEL, MLB	1
4	4160-000	TERMINAL, RING, 16-14AWG, 1/4 STUD	2
5	484-000	LOCKWASHER #10 SPLIT	2
6	598-000	#10 WASHER	2
7	6372-000	#10-32 HEX NUT	2
8	81097-039	CIR.BRK.250A-3PL-600V, ADJUSTABLE AC MAGNETIC TRIP, SQD#JDL36250	1
9	91457-002	TERM. RING 16-14 AWG, 1/2" STUD	2

# CIRCUIT BREAKER INSTALLATION ASSEMBLY

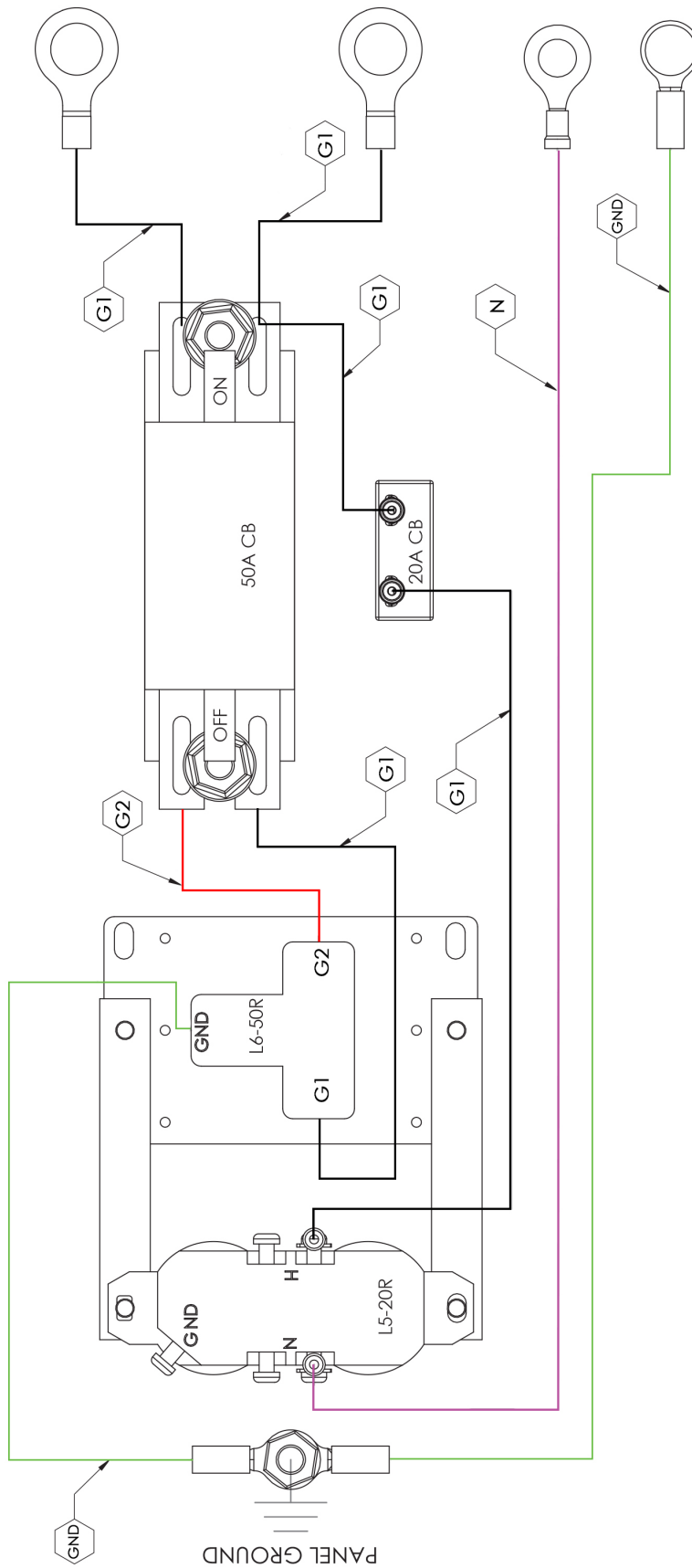


\* THIS PANEL (P/N 300113-11)  
WORKS WITH MODEL  
W165PTOS-18/F ONLY.

ITEM NO.	PART NUMBER	DESCRIPTION	QTY.
1	16248-000	.25-20 FLANGE	4
2	21698-001	TORX PAN HEAD SCREW #10	10
3	300111-7	PANEL, FRONT	1
4	300117	SUPPORT CONNECTOR	2
5	439-000	HHCS 1/4-20X1 GR2	1
6	4516-000	LOCKWASHER 1/4 EXTERNAL TOOTH	2
7	47517-000	.25-20 NYLOK	2
8	476-000	.25-20X.625 HHB	2
9	479-000	LOCK WASHER, .25" SPLIT	1
10	512-000	.25 WASHER	4
11	61993-003	RHMS 1/4-20x5	2
12	63708-000	TERMINAL LUG	1
13	638-000	HEX NUT, .25IN	6
14	64892-000	COVER PLATE	1
15	64893-000	REGULATOR BRACKET	2
16	91321-002	TERMINAL RING 2 GA 1/4 STUD	1
17	94980-001	THREAD STUD .25-20X.625	2
18	EE23301	#1 BUSHING	6
19	EE2331	HOUSING 350A	3
20	EE23325	1/0 CONTACT	6
21	G72132	WELDMENT COVER ASSEMBLY	1

# WIRING DIAGRAM

W145PTOS & W150PTOS - BACK VIEW





# WIRING DIAGRAM CONT.

W165PTOS - BACK VIEW

