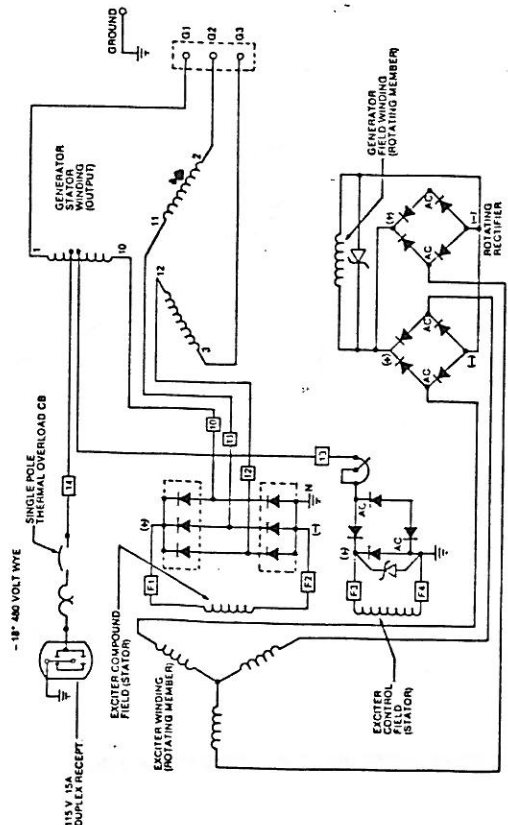
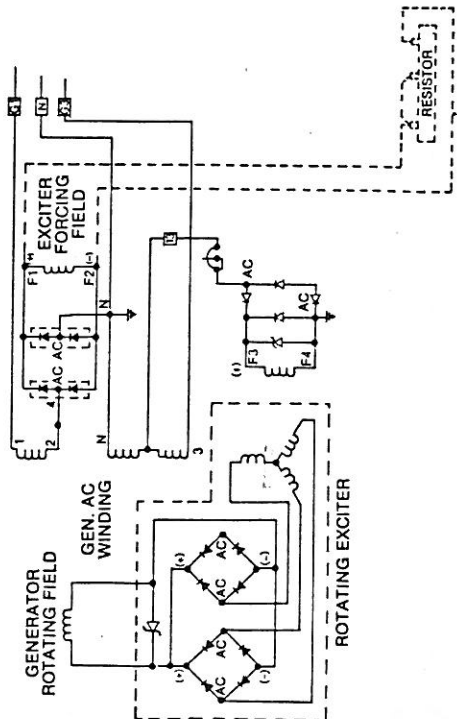
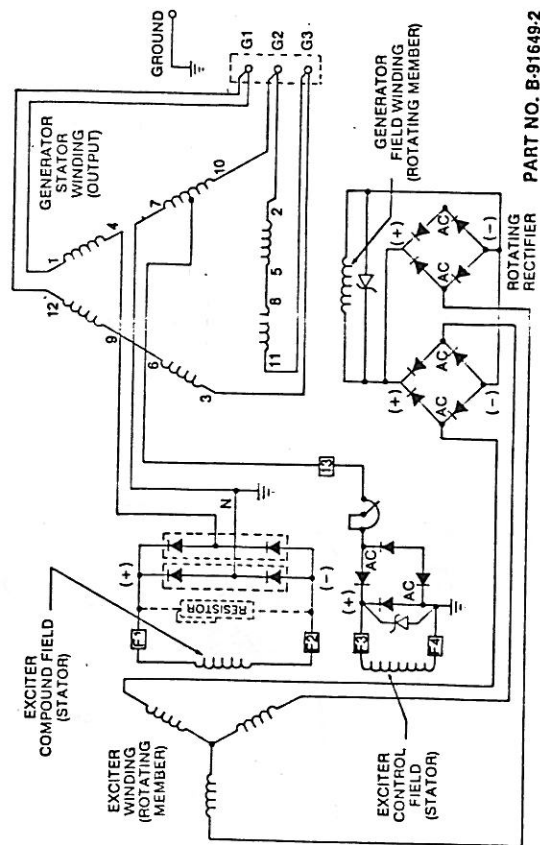
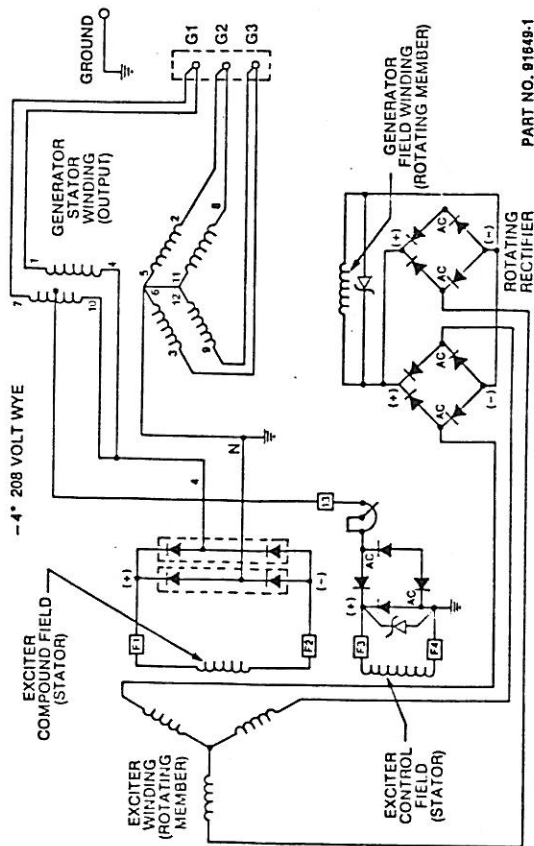


DYNA CSA 12PDM4G-3/17/18/4/53

GENERATORS

ILLUSTRATED PARTS LIST

SCHEMATIC DIAGRAMS



This IPL contains wiring, illustration, parts list, ordering information and technical data to perform routine maintenance on this generator. Consult factory with model no., serial no. and test data for further assistance.

DYNA

| REF SYMB. | DYNA P/N | QTY | DESCRIPTION | REF SYMB. | DYNA P/N | QTY | DESCRIPTION |
|-----------|-----------|-----|---|-----------|-----------|-----|--|
| 001 | 42784 | 3 | SCREW 10-32 X 1/4 | 284A | 51060 | 2 | RECTIFIER - STUD MTD (FORWARD - POS) - (-3, -4, & -53) |
| 002 | 484 | 3 | LOCKWASHER #10 SPLIT | 284E | 91460 | 2 | RECTIFIER - STUD MTD (FORWARD - POS) - (-17) |
| 003A | 91454 | 3 | THREADED SPACER | 284C | 91460 | 3 | RECTIFIER - STUD MTD (FORWARD - POS) - (-18) |
| 003B | 91331-11 | 3 | SLEEVING | | | | |
| 004 | 93617-5 | 2 | CAP SCREW HEX HD. 7/16-14 X 1-1/2 (SAL-5 MIN) | 285 | 91455 | 1 | BURGE SUPPRESSOR |
| 005 | 90570-1 | 2 | LOCKWASHER 7/16 SPLIT | 286 | 91452 | 3 | RECTIFIER |
| 006 | 93622 | 1 | KEY 1/4 X 1/4 X 3/4 LONG | 287 | | 1 | RHEOSTAT - NO LOAD ADJUSTING - -3, -4, -53, & -17 |
| 007 | 91431 | 3 | CAP SCREW HEX HD. 1/4-28 X 2-3/4 | 288A | 58491 | 2 | RECTIFIER - STUD MTD (REVERSE - NEG) - (-3, -4, & -53) |
| 008 | 479 | 3 | LOCKWASHER 1/4 SPLIT | 288B | 91461 | 2 | RECTIFIER - STUD MTD (REVERSE - NEG) - (-17) |
| 009 | 91256 | 3 | CAP SCREW HEX HD. 7/16-14 X 1-3/4 | 288C | 91461 | 3 | RECTIFIER - STUD MTD (REVERSE - NEG) - (-18) |
| 010 | 90570 | 3 | LOCKWASHER 7/16 SPLIT | 289 | 91940 | 1 | CIRCUIT BREAKER - 2 POLE / 50 AMP |
| 011 | 639 | 2 | MACHINE SCREW RD. HD. 1/4-20 X 1-1/2 | 290 | 45930-2 | 1 | RECTIFIER / HEAT SINK ASSY |
| 012 | 479 | 2 | LOCKWASHER 1/4 SPLIT | 291 | 24865 | 1 | VARIABLE RESISTOR |
| 013 | 639 | 2 | HEX NUT 1/4-20 | | | | |
| 014 | 481 | 3 | LOCKWASHER 3/8 SPLIT | | | | |
| 015 | 464 | 6 | CAP SCREW HEX HD. 3/8-16 X 1-3/4 | 512 | 91337 | 1 | COVER IMPELLER |
| 016 | 93616 | 1 | EXCITER RETAINER BAR | 513 | SEE TABLE | 1 | SAE HOUSING ADAPTER |
| 017 | 93615 | 1 | EXCITER SUPPORT COLLAR | 514 | | 1 | SHELL & STATOR ASSY |
| 018 | 53644 | 14 | SCREW, BRIST METAL #10 SELF TAPPING | | | | |
| 191 | SEE TABLE | 2 | DRIVE DISC | | | | |
| 192 | SEE TABLE | 1 | DRIVE SPACER | | | | |
| 201 | 91639 | 1 | HINGED COVER | | | | |
| 202 | 91642 | 1 | WELDED BOX ASSEMBLY | | | | |
| 203 | 91645 | 1 | LOUVERED COVER | | | | |
| 240 | 91851-2 | 1 | RECESSED RECEPT PANEL | | | | |
| 248 | 24749 | 1 | DUPLEX RECEPTACLE - NEMA 5-15R | 91527-3 | | | - 120/240V / SINGLE PHASE (-3) |
| 249 | 91786 | 1 | RECESSED RECEPT. PANEL (BARE) | 91527-4 | | | - 120/208V / THREE PHASE (-4) |
| 258 | 91286 | 1 | CIRCUIT BREAKER - 15 AMP P.B. | 91527-4 | | | - 120/240V / THREE PHASE (-17) |
| 280 | | 1 | RECTIFIER SHELF | 91527-5 | | | - 277/480V / THREE PHASE (-18) |
| | 91580 | | - SINGLE PHASE 120/240V (-3 & -53) | 515 | 91517 | 1 | END BRACKET |
| | | | THREE PHASE 120/208V (-4) | 530 | 91528-2 | 1 | ROTOR ASSEMBLY |
| | 91572 | | - THREE PHASE 120/240V (-17) | 532 | 91111 | 1 | BEARING |
| | 91571 | | - THREE PHASE 277/480V (-18) | | | | |
| 281 | 91463-1 | 1 | SHELF (BARE) | 561A | 91674 | 1 | EXCITOR STATOR - (-3, -53, & -18) |
| 282 | 51795 | 1 | TERMINAL BLOCK | 561B | 91674-4 | 1 | EXCITOR STATOR - (-4) |
| 283A | 91557 | 2 | HEAT SINK - (-3, -4, & -53) | 561C | 91674-5 | 1 | EXCITOR STATOR - (-17) |
| 283B | 91459 | 2 | HEAT SINK - (-17 & -18) | | | | |
| | | | | 562 | 91442 | 1 | EXCITOR ROTOR |
| | | | | 563 | 91413 | 1 | ROTATING RECTIFIER ASSEMBLY |
| | | | | 564 | 91411-1 | 1 | COVER (ROTATING RECTIFIER) |

TABLE 3-II/SAE—STANDARD SAE ADAPPTIONS—SHELL LENGTH II

| HOUSING/FLYWHEEL ADAPTION | PART # | DRIVE DISC (2) | | DISC SPACER | | CAPSCREWS | | HSG ADAPTER | | CAPSCREWS | | "G" DIM (REF ONLY) |
|---------------------------|----------|----------------|--------|-------------|---------|-----------|-----|-------------|--------|-----------|-----|--------------------|
| | | REF 191 | DIM | REF 192 | DIM | REF 30 | QTY | REF 513 | DIM | REF 32 | QTY | |
| SAE4/C106 | 92291-01 | 91523 | 8 1/2 | NONE | | 91658-1 | 6 | NONE | 14 1/4 | | | 1 3/16 |
| SAE4/C107 | 92291-02 | 91633 | 9 1/2 | NONE | | 91658-1 | 6 | NONE | 14 1/4 | | | 1 3/16 |
| SAE4/C108 | 92291-03 | 91564 | 10 3/8 | 91524 | 1 1/4 | 91658-6 | 6 | NONE | 14 1/4 | | | 2 7/16 |
| SAE4/C110 | 92291-04 | 91565 | 12 3/8 | 91524-1 | 1 5/16 | 91658-4 | 6 | NONE | 14 1/4 | | | 2 1/8 |
| SAE3/C107 | 92291-24 | 91633 | 9 1/2 | 91524-8 | 1 1/2 | 91658-3 | 6 | 91567 | 16 3/8 | 91658-2 | 12 | 1 3/16 |
| SAE3/C108 | 92291-05 | 91564 | 10 3/8 | 91524-2 | 1 3/4 | 91658-8 | 6 | 91567 | 16 3/8 | 91658-2 | 12 | 2 7/16 |
| SAE3/C110 | 92291-06 | 91565 | 12 3/8 | 91524-3 | 1 7/16 | 91658-6 | 6 | 91567 | 16 3/8 | 91658-2 | 12 | 2 1/8 |
| SAE3/SP111 | 92291-07 | 91566 | 13 3/8 | 91524-4 | 7/8 | 91658-4 | 6 | 91567 | 16 3/8 | 91658-2 | 12 | 1 3/16 |
| SAE5/C106 | 92291-17 | 91523 | 8 1/2 | 91524-5 | 9/16 | 91658-3 | 6 | 91929 | 12 3/8 | 91658-2 | 12 | 1 3/16 |
| SAE5/C107 | 92291-21 | 91633 | 9 1/2 | 91524-5 | 9/16 | 91658-3 | 6 | 91929 | 12 3/8 | 91658-2 | 12 | 1 3/16 |
| SAE5/C108 | 92291-18 | 91564 | 10 3/8 | 91524-7 | 1 3/16 | 91658-8 | 6 | 91929 | 12 3/8 | 91658-2 | 12 | 2 7/16 |
| SAE2/SP111 | 92291-20 | 91566 | 13 3/8 | 91524-4 | 7/8 | 91658-4 | 6 | 92484 | 17 3/8 | 91658-2 | 12 | 1 3/16 |
| SAE1/C108 | 92291-22 | 91564 | 10 3/8 | 91524-7 | 1 13/16 | 91658-8 | 6 | 93122 | 20 1/8 | 91658-2 | 12 | 2 7/16 |



To fill your order for service parts, please advise the complete Generator model number and serial number, part number(s), and part description. If in doubt, consult the factory prior to placing the order. Send all parts orders to Dyna Technology, Inc., 225 South Cordova Ave., Le Center, MN 56057.

DYNA

