



ILLUSTRATED PARTS LIST

ULPSS40-3/I

ULPSS40-4/I

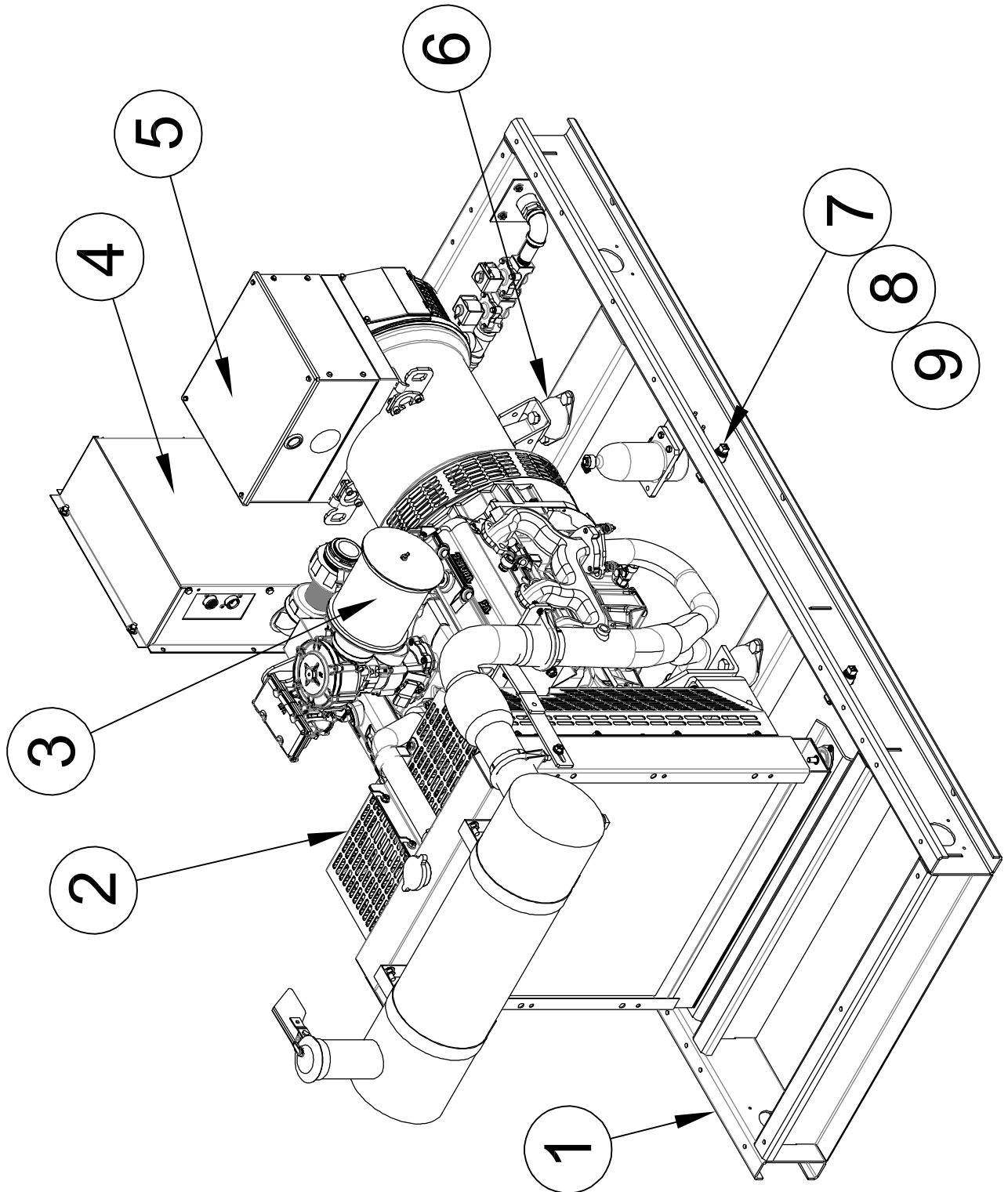
ULPSS40-17/I

ULPSS40-18/I

**WITH DSE7310
ENGINE CONTROL**

**225 S. CORDOVA AVE.
LECENTER, MN 56057
507-357-6821
SERVICE DEPT.
507-357-6831
wincogen.com**

GENERATOR ASSEMBLY

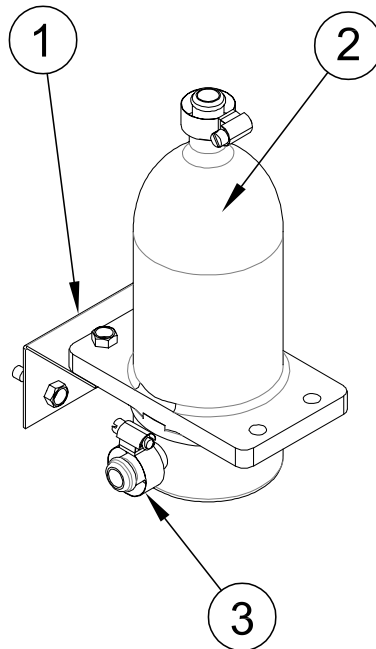


REF #	PART NUMBER	QTY	DESCRIPTION
1	99381-047	1	Welded Frame Assembly
2	351987-2	1	Engine, GM 4.3 Liter
3	97294-005	1	Air Filter Assembly
3	F1-15	1*	Air Filter
4	SEE TABLE	Reference	Breaker & Control Assembly
5	SEE TABLE	1	Stamford Newage Generator
6	98956-005	4	Shockmount
7	98906-009	1	Oil Drain Valve
8	93824-003	1	Petcock Valve
9	99778-000	1	Adapter
NI	93084-000	2	½" Pipe Plug
NI	94319-008	2	Hose Fitting
NI	81018-005	4	Hose Clamp
NI	350110-5	1	Battery Tray
NI	53220-039	1	Positive (+) Battery Cable
NI	53220-012	1	Negative (-) Battery Cable
NI	55505-000	6 FT	3/8" Hose
NI	62625-004	3 FT	Reflective Hose Sleeve
NI	99420-021	1	DC Engine Harness
NI	350818-2	1	Voltage Regulator AS440 UL
NI	R44LTS	6**	Spark Plug
NI	PF-47 or PF-52	1**	Oil Filter
NI	72036-015	1	Battery Charger
NI	Not Illustrated		
*	Impco Part #		
**	AC Delco Part #		

MODEL #	PART #	DESCRIPTION
ULPSS40-3/I	99836-241	Breaker & Control Cabinet Assembly
ULPSS40-4/I	99836-242	Breaker & Control Cabinet Assembly
ULPSS40-17/I	99836-242	Breaker & Control Cabinet Assembly
ULPSS40-18/I	99836-243	Breaker & Control Cabinet Assembly

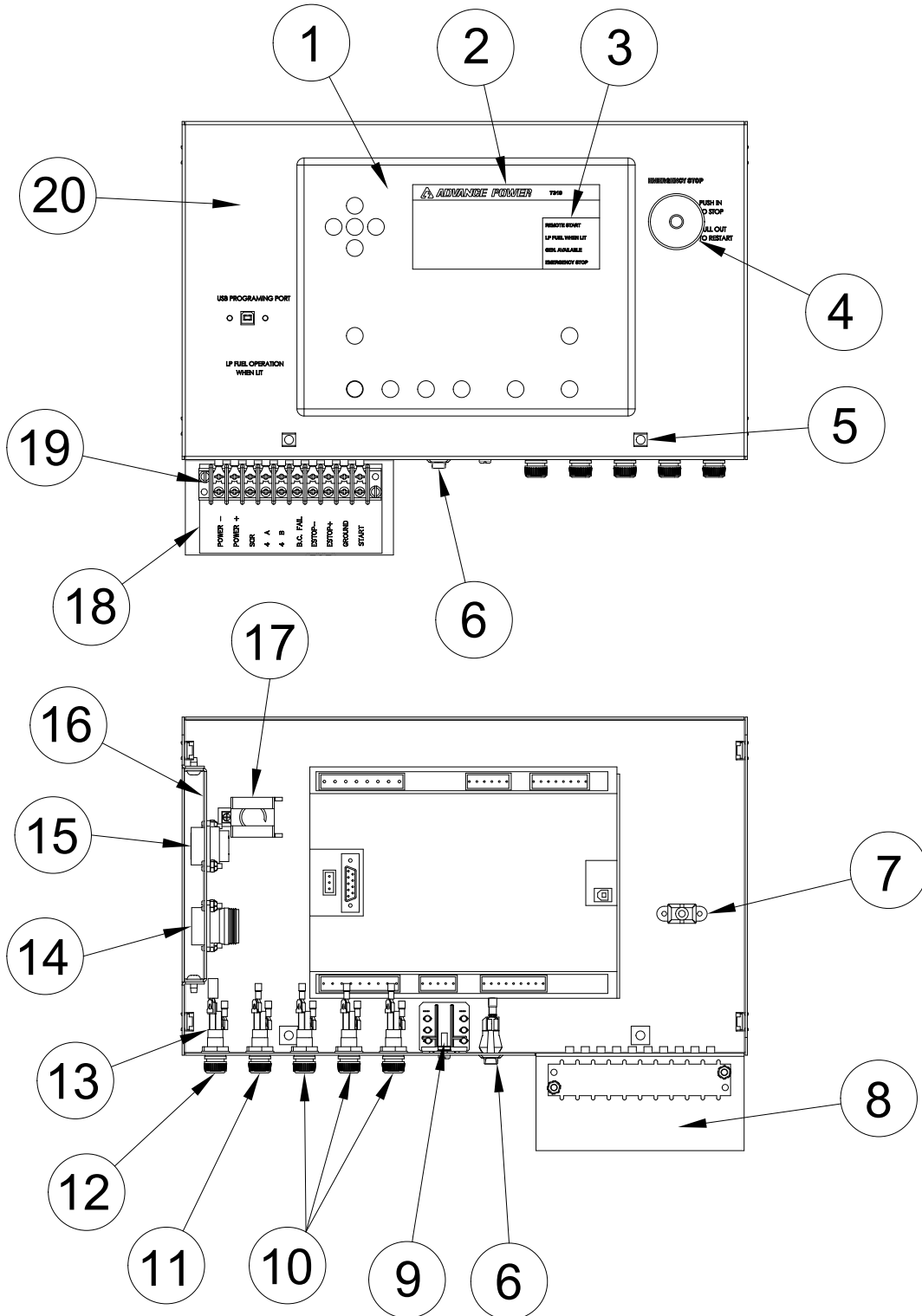
MODEL #	STAMFORD NEWAGE MODEL #	WINCO PART #
ULPSS40-3/I	PI144J1J 4-LEAD	350005-009
ULPSS40-4/I ULPSS40-17/I ULPSS40-18/I	PI144K1L 12-LEAD	350005-008

BLOCK HEATER ASSEMBLY



REF #	PART NUMBER	QTY	DESCRIPTION
1	provided with heater	1	Mounting Bracket
2	80781-003	1	1000W 120V Tank Heater
3	81018-005	4	Hose Clamp
NI	350341	1	1/4" NPT (M) X 5/8" Barb Hose Fitting
NI	92388-000	1	3/8" NPT X 5/8" Hose Fitting
NI	93689-001	5.33 FT	5/8" I.D. Hose
NI	62625-004	2 FT	1.5" Hose Heat Sleeve
NI	Not Illustrated		

ENGINE CONTROL ASSEMBLY WITH DSE 7310

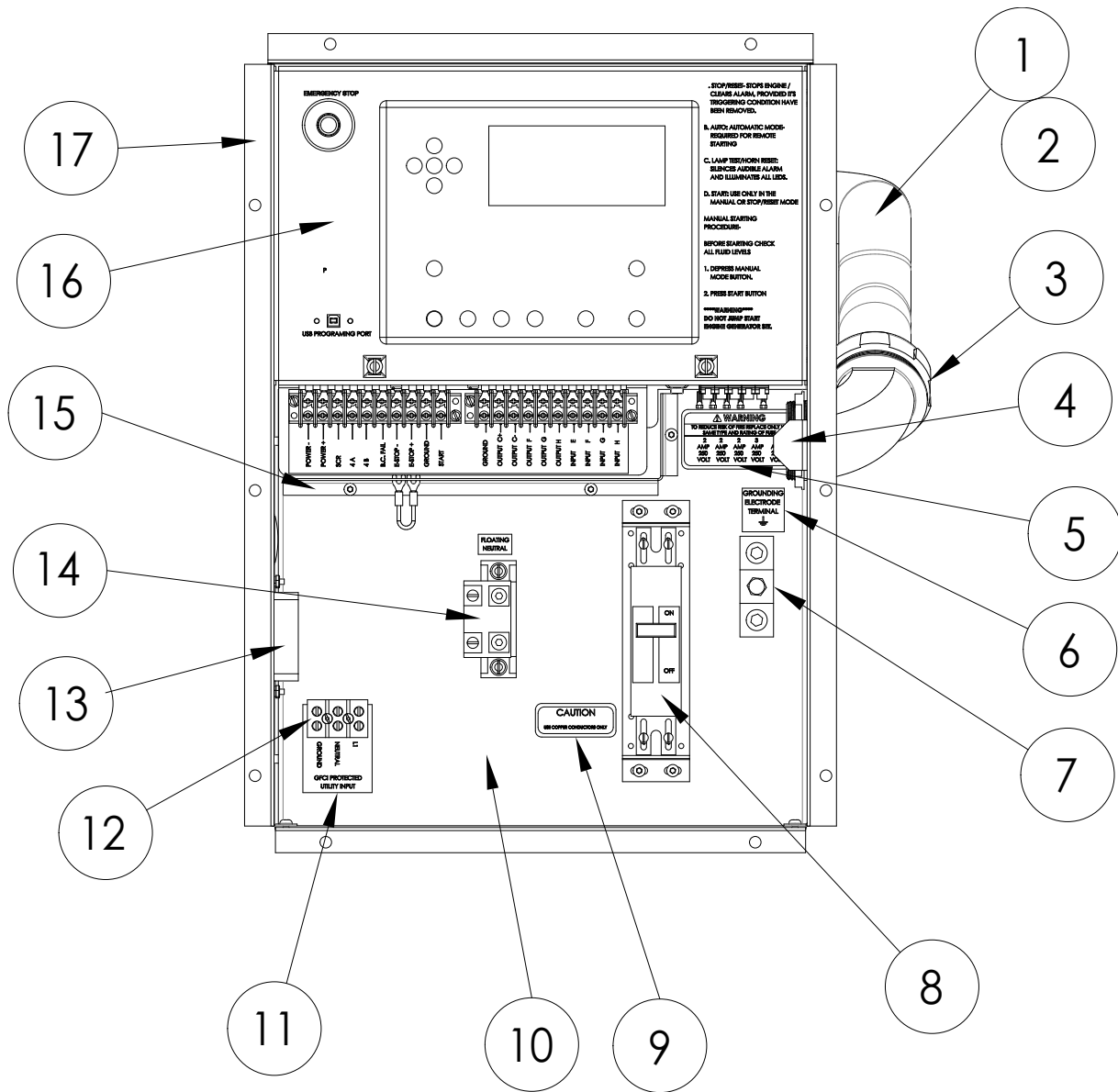


REF #	PART NUMBER	QTY	DESCRIPTION
1	99783-002	1	Switch Contact
2	80623-006	2	10 Point Terminal Block
3	59944-017	1	DPDT 12VDC 10 Amp Relay
4	99783-001	1	Push Pull Switch
5	92844-005	1	USB Cable
6	351112-4	1	DSE 7310 Controller
7	351095-11	1	Terminal Strip Decal
8	95064-102	3	2 Amp 32VDC Fuse
9	95064-103	1	3 Amp 32VDC Fuse
10	95064-110	1	10 Amp 32VDC Fuse
11	96925-002	1	14 Pin Connector
12	96925-006	1	16 Pin Connector
13	351900-11	1	Connector Plate
14	351900-22	1	Engine Control Panel
15	64089-000	1	SPST Rocker Switch
16	2489-002	5	Fuse Holder

DECALS

REF #	PART NUMBER	QTY	DESCRIPTION
NI	97813-000	3	Warning Auto Start Decal
NI	63941-001	1	Hot Surface Decal
NI	15209-000	1	UL Decal Set
NI	15209-100	1	French UL Decal Set
NI	16502-001	1	AC Disconnect Decal
NI	63941-003	1	Battery Compartment Decal
NI	63941-005	1	Receptacle Caution Decal
NI	15210-010	1	UL Fuel System Decal

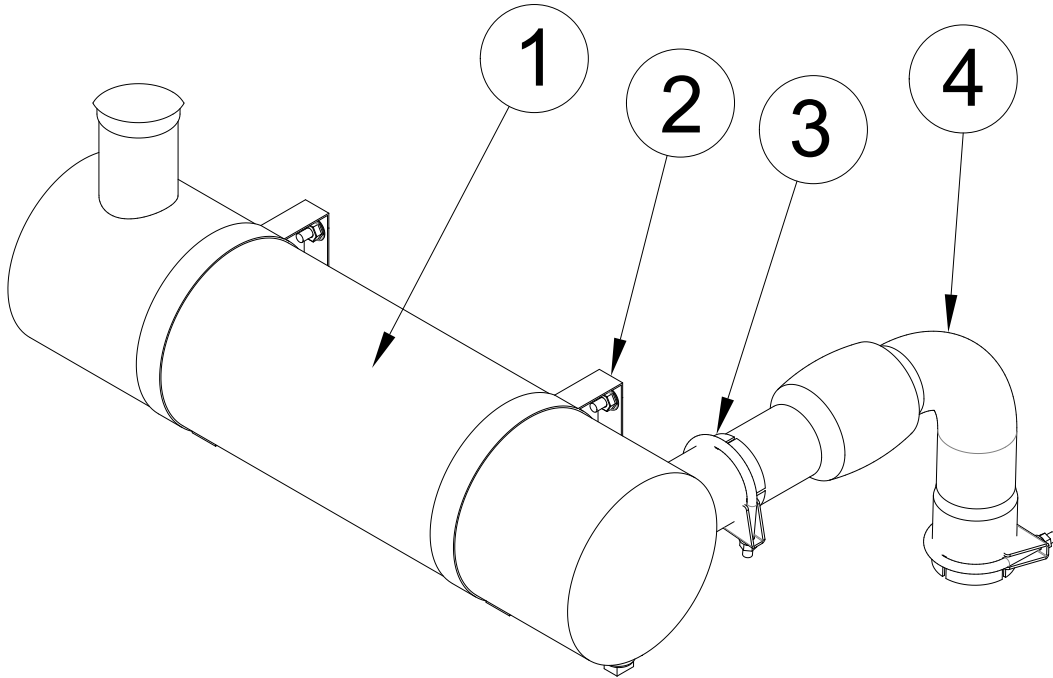
CONTROL CABINET ASSEMBLY



REF #	PART NUMBER	QTY	DESCRIPTION
1	16522-000	1	2" Straight Conduit Connector
2	16523-004	20"	Flexible Conduit
3	16522-001	1	2" 90° Conduit Connector
4	99826-194	1	Door Latch
5	63941-015	1	Fuse Warning Decal
6	16499-000	1	Ground Decal
7	58060-000	2	Ground Lug
8	SEE TABLE	1	Circuit Breaker
9	16503-000	1	Copper Connector Decal
10	SEE TABLE	1	Circuit Breaker Panel
11	64576-006	1	GFCI Protected Decal
12	51795-000	1	3 Point Terminal Block
13	24749-000	1	NEMA 5-15R Receptacle
14	350124-4	1	Neutral Assembly
15	99826-198	1	DC Box
16	99775-015	1	DSE Control Assembly
17	99826-130	1	Control Cabinet
NI	300538-23	1	Wiring Harness Kit
NI	SEE TABLE	1	Circuit Breaker Cover Panel
NI	Not Illustrated		

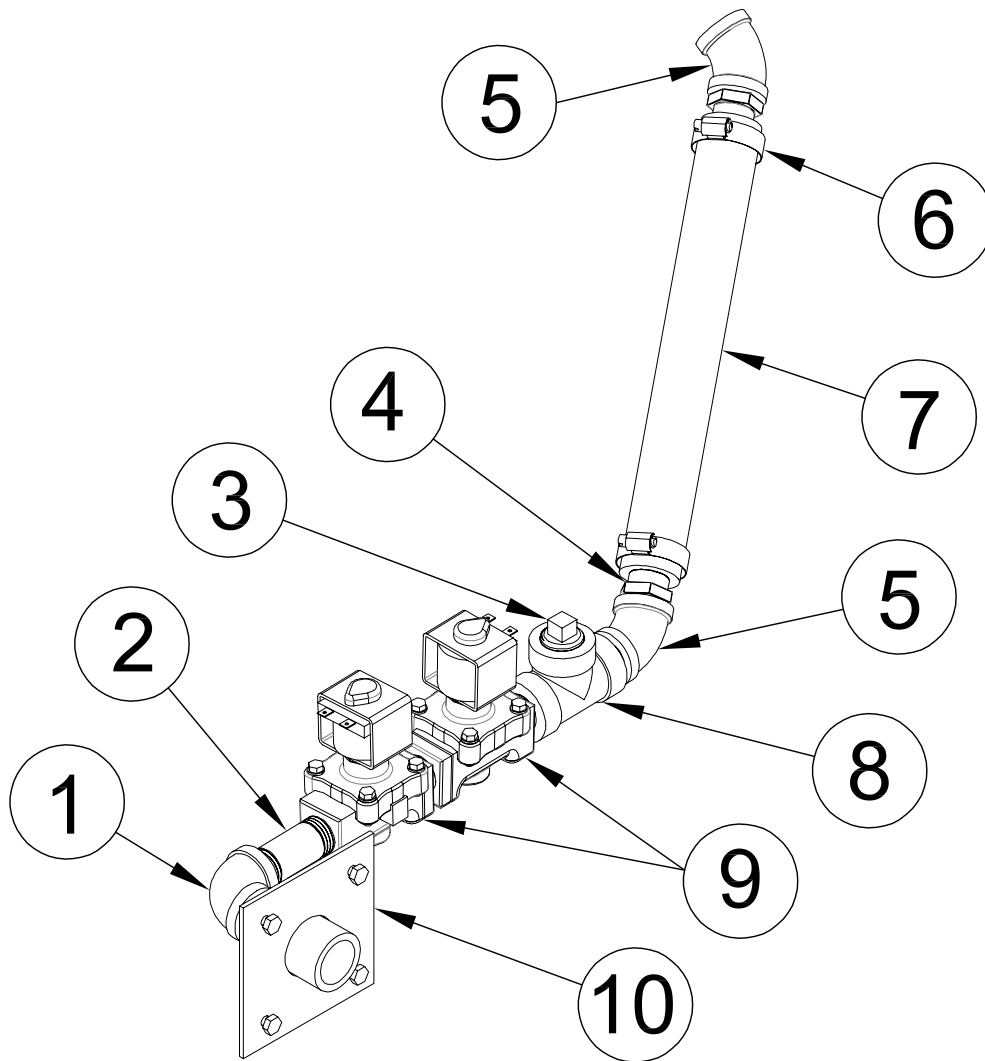
WINCO MODELS	PART NUMBER	DESCRIPTION
ULPSS40-3/I	91447-009 99826-044 99826-240	175 AMP 2-POLE BREAKER CB PANEL CB COVER PANEL
ULPSS40-4/I	81096-003 99826-045 99826-241	150 AMP 3-POLE BREAKER CB PANEL CB COVER PANEL
ULPSS40-17/I	81096-003 99826-045 99826-241	150 AMP 3-POLE BREAKER CB PANEL CB COVER PANEL
ULPSS40-18/I	81097-004 98626-043 99826-243	60 AMP 3-POLE BREAKER CB PANEL CB COVER PANEL

EXHAUST ASSEMBLY



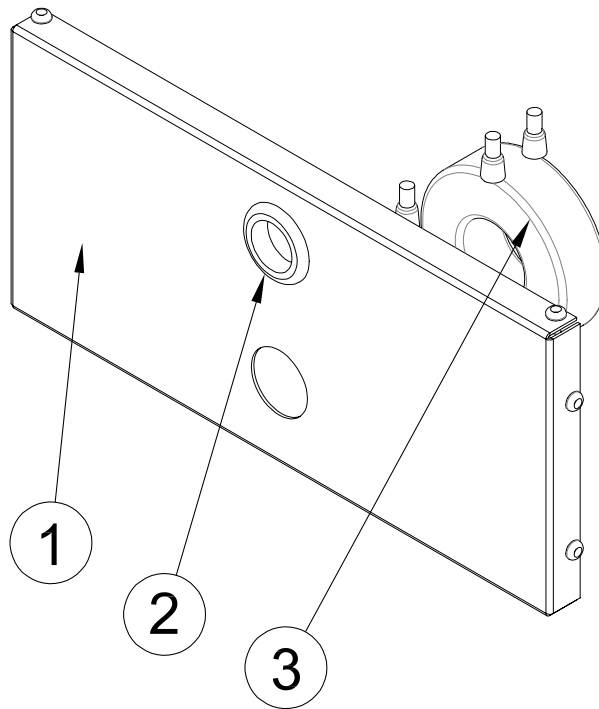
REF #	PART NUMBER	QTY	DESCRIPTION
1	80519-017	1	Muffler
2	350264-1	2	8" Exhaust Band
3	93489-001	2	3 3/8" Muffer Clamp
4	99502-011	1	Exhaust Flex

VAPOR FUEL SYSTEM ASSEMBLY



REF #	PART NUMBER	QTY	DESCRIPTION
1	50244-000	1	90° Pipe Elbow
2	54074-001	1	3 1/2" Pipe Nipple
3	93564-000	1	Pipe Plug
4	92388-004	2	Hose Fitting
5	56896-000	2	45° Pipe Elbow
6	81018-004	2	Hose Clamp
7	49409-000	5 FT	1" Hose
8	94907-000	1	Pipe Tee
9	42942-000	2	Solenoid
10	99065-000	1	Weldment Cover

AC WIRING MODIFICATIONS

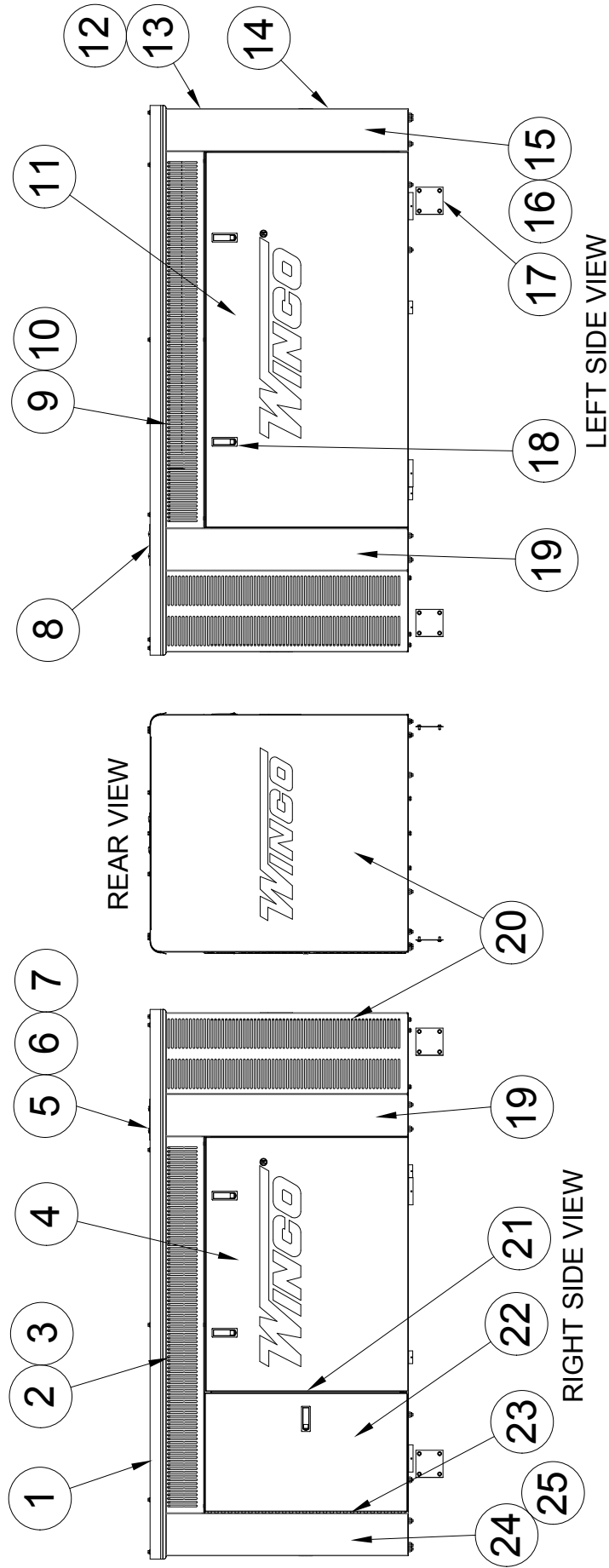


REF #	PART NUMBER	QTY	DESCRIPTION
1	64702-001	1	Front Panel
2	SEE TABLE	2 or 3	Current Transformer
3	62486-000	1	Grommet
NI	SEE TABLE	1	AC Harness

MODEL #	PART #	QTY	DESCRIPTION
ULPSS40-3/I	80124-008	2	500 to 5 Amp Current Transformer
ULPSS40-4/I ULPSS40-17/I ULPSS40-18/I	80124-008	3	500 to 5 Amp Current Transformer

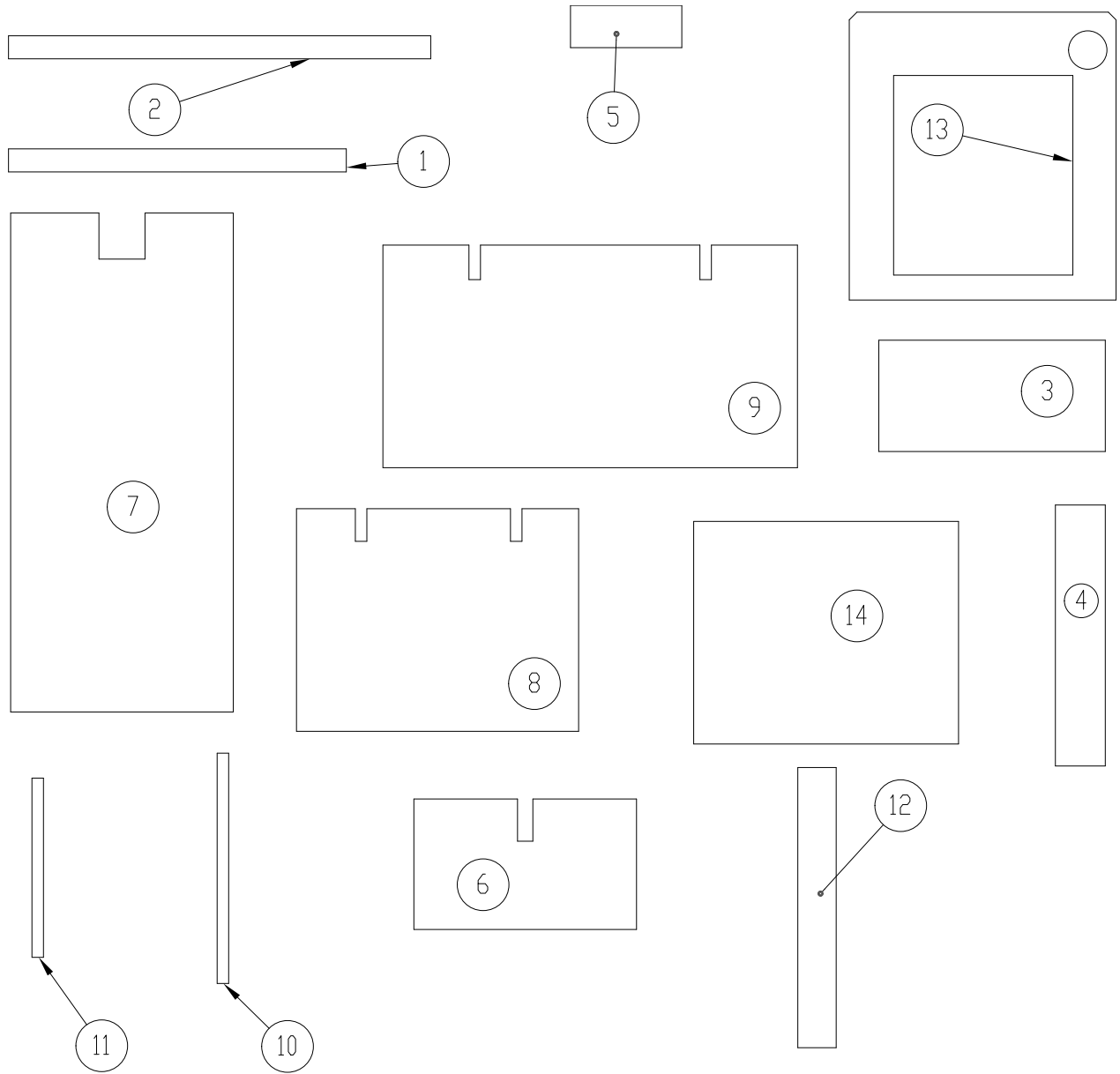
MODEL #	PART #	QTY	DESCRIPTION
ULPSS40-3/I	99347-014	1	AC Harness
ULPSS40-4/I ULPSS40-17/I ULPSS40-18/I	99347-018	1	AC Harness

HOUSING ASSEMBLY



REF #	PART NUMBER	QTY	DESCRIPTION
1	99515-041	1	Roof
2	99098-043S	1	Right Side Sill
3	99378-145S	1	Right Side Sill Baffle
4	99100-011	1	Right Side Panel
5	91683-000	4	¼ Turn Clip Nut
6	91682-002	4	¼ Turn Bail
7	91684-000	4	Split Ring
8	99515-012	1	Roof Access Cover
9	99098-044S	1	Left Side Sill
10	99378-146S	1	Left Side Sill Baffle
11	99100-010	1	Left Side Panel
12	99100-040	1	Rear Sill
13	99378-142	1	Rear Sill Baffle
14	99072-007	1	Rear Panel
15	99067-041S	1	Left Rear Corner Post
16	99378-143S	1	Left Rear Baffle
17	99060-011	4	Lifting Eye Cover Plate
18	95229-005	5	Latch
19	99071-043	1	Radiator Housing
20	99071-035	1	Front Housing
21	99333-016S	1	Door Stop
22	15680-056S	1	Door (Right Side)
23	98375-043	1	Hinge
24	99067-040S	1	Right Rear Corner Post
25	99378-144S	1	Right Rear Baffle
NI	92421-000	9 FT	1.5" X 1.5" Foam Strip
NI	62912-002	6 FT	3/8" Foam Strip
NI	62912-000	10 FT	1/2" Foam Strip
NI	Not Illustrated		

ACOUSTIC FOAM PIECES



REF #	PART NUMBER	QTY	DESCRIPTION
1	99393-111S	1	Left Side Sill Foam
2	99393-121S	1	Right Side Sill Foam
3	99393-117S	1	Rear Center Foam
4	99393-112S	2	Rear Baffle Foam
5	99393-116S	1	Rear Top Foam
6	99393-118S	1	Door Foam
7	99393-149S	1	Roof Foam
8	99393-150S	1	Side Panel Foam
9	99393-151S	1	Side Panel Foam
10	92422-000S	2	Radiator Side Foam
11	92422-001S	2	Radiator Top Foam
12	99393-114S	2	Front Side Foam
13	99393-158S	1	Radiator Foam
14	99393-159S	1	Front Snorkel Foam

GENERATOR END PARTS

We recommend the following for Service and Maintenance. In critical applications a set of these service spares should be held with the generator.

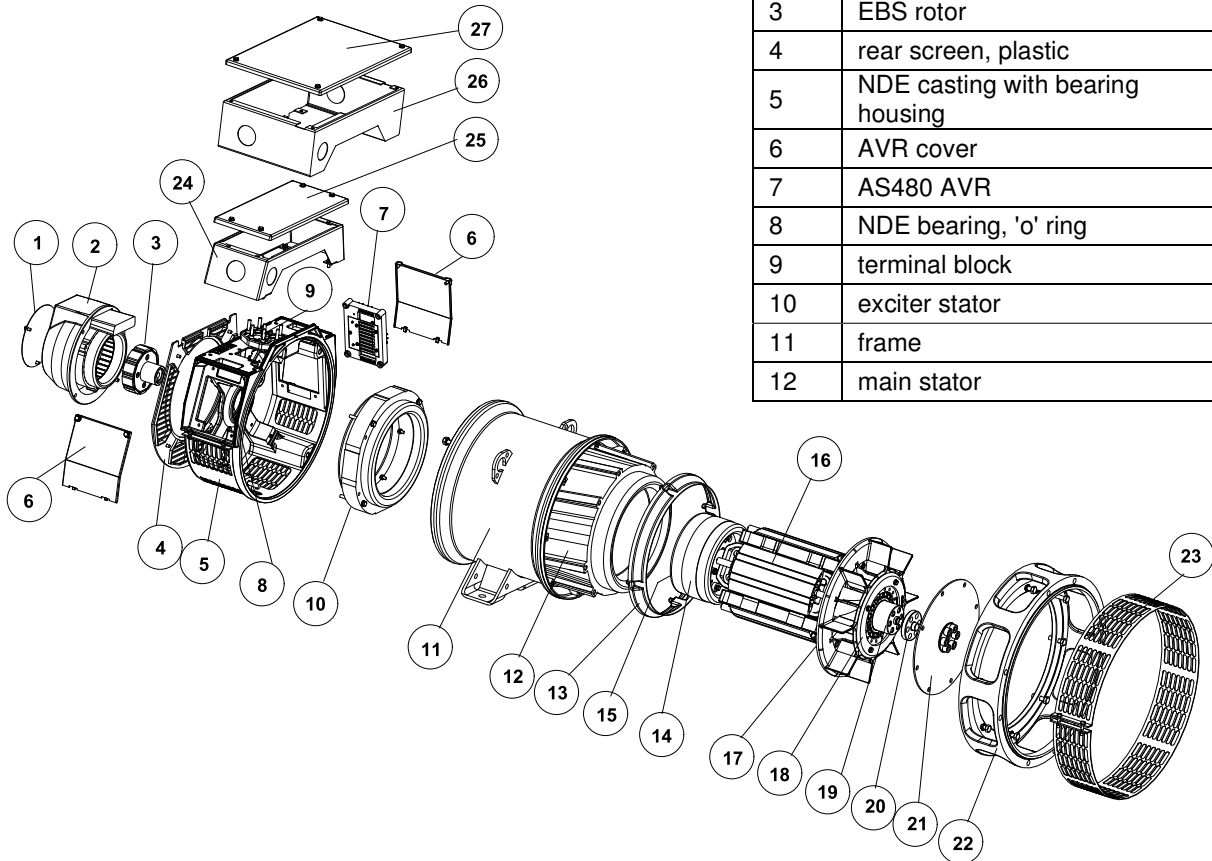
AVR P0 / P1 AVR control	E000-14800*
Bearings Bearing	6306 C3 051-01058*
O' Ring	051-21792*
Diodes Rectifier service kit	RSK-1101*
Comprises:-	
Metal Oxide Varistor	BC 073-08063
Diode Stud (fwd)	073-50032
Diode Stud (rev)	073-50033
Complete Rectifier Assembly Rectifier assembly	45-0427
Rectifier assembly BC-fwd	130-1413
Rectifier assembly BC-rev	130-1414
EBS	EBS 190-EBS0001

These are available through Stamford Newage:

<https://www.cumminsgeneratortechnologies.com/en/>

GENERATOR END PARTS

Parts Identification Single Bearing

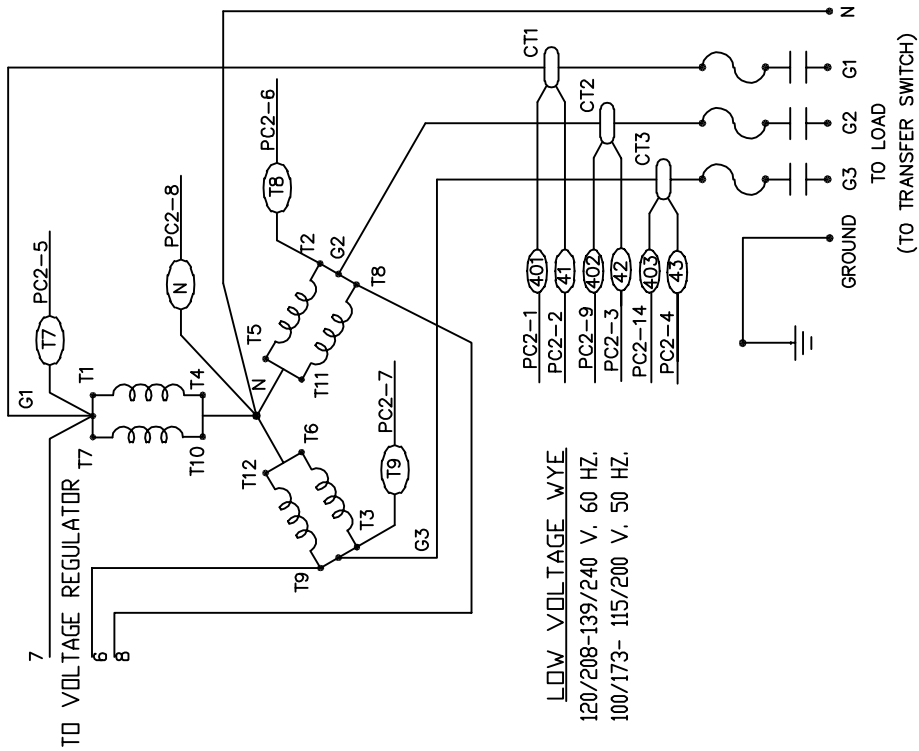


item	Description
1	cover, EBS
2	EBS unit
3	EBS rotor
4	rear screen, plastic
5	NDE casting with bearing housing
6	AVR cover
7	AS480 AVR
8	NDE bearing, 'o' ring
9	terminal block
10	exciter stator
11	frame
12	main stator

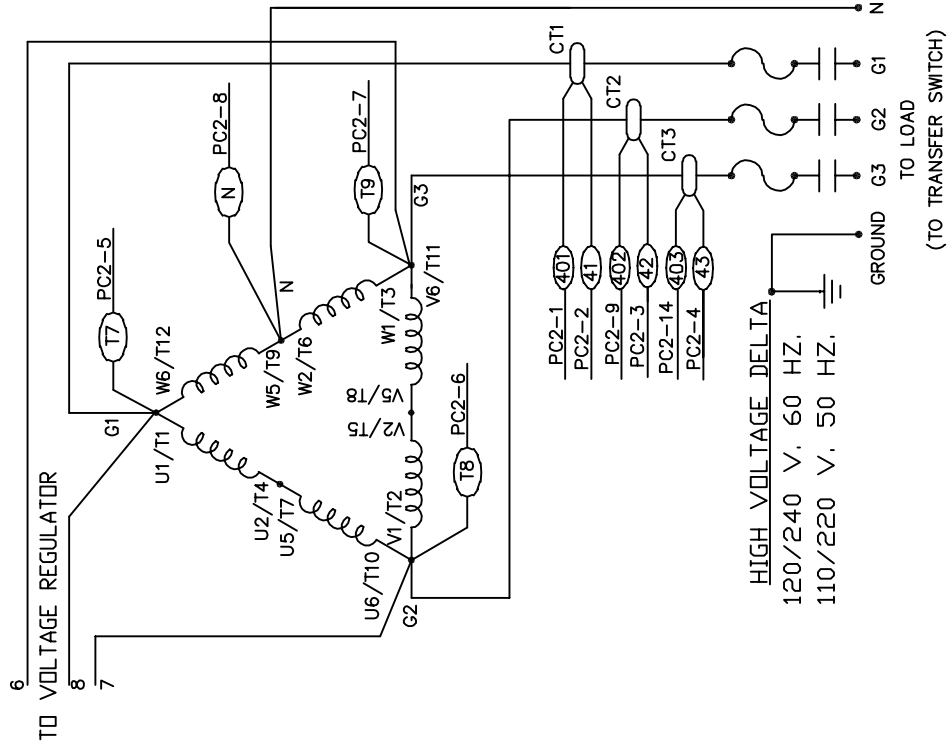
13	air flow baffle
14	exciter rotor
15	rotating rectifier assembly
16	main rotor assembly
17	fan, removable
18	fan hub, fixed
19	shaft
20	shaft spacer
21	coupling disc
22	DE adapter
23	DE screen
24	standard terminal box
25	standard terminal box lid
26	large terminal box
27	large terminal box lid

N.D.E. Non Driven End
 D.E. Driven End
 A.V.R. Automatic Voltage Regulator

ULPSS40-4/I



ULPSS40-17/I



DC WIRING SCHEMATIC DSE7310

