



ILLUSTRATED PARTS LIST

ULPSS40-3/F & /G

ULPSS40-4/F & /G

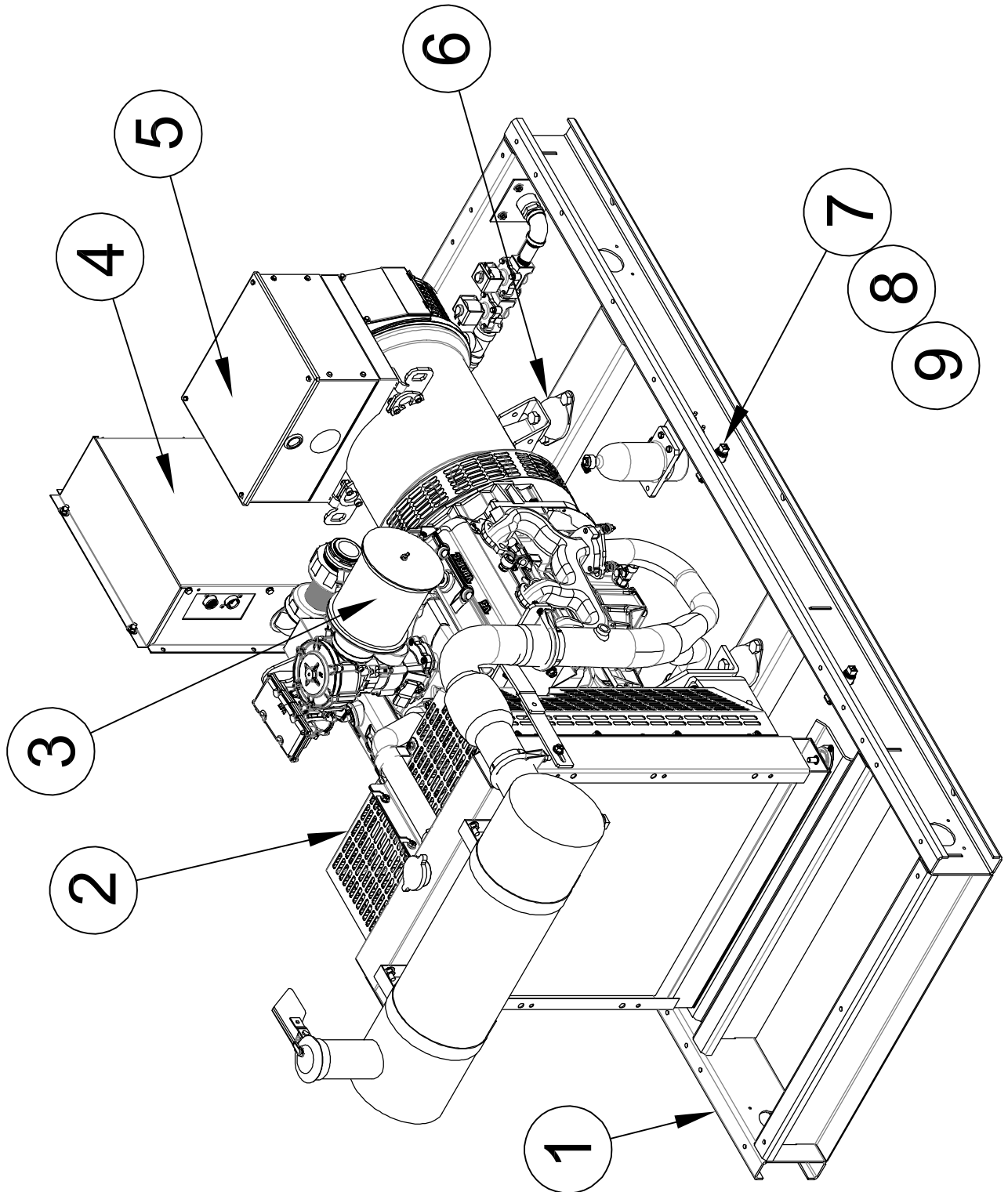
ULPSS40-17/F & /G

ULPSS40-18/F & /G

**WITH DSE 7110 & DSE7310
ENGINE CONTROL**

**225 S. CORDOVA AVE.
LECENTER, MN 56057
507-357-6821
SERVICE DEPT.
507-357-6831
wincogen.com**

GENERATOR ASSEMBLY

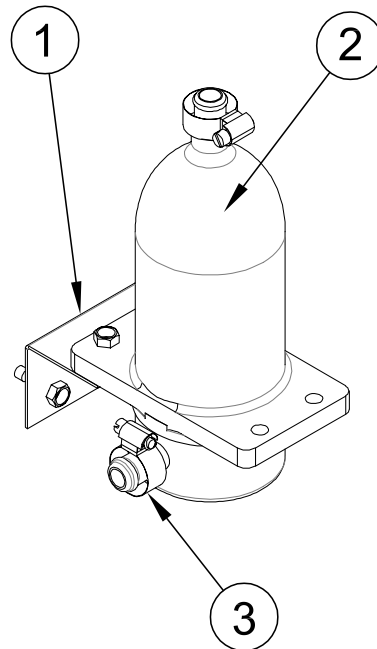


| REF # | PART NUMBER | QTY | DESCRIPTION |
|-------|-----------------|------|----------------------------|
| 1 | 99381-029 | 1 | Welded Frame Assembly |
| 2 | 351987-2 | 1 | Engine, GM 4.3 Liter |
| 3 | 97294-005 | 1 | Air Filter Assembly |
| 3 | F1-15 | 1* | Air Filter |
| 4 | Reference | 1 | Breaker & Control Assembly |
| 5 | SEE TABLE | 1 | Stamford Newage Generator |
| 6 | 98956-001 | 4 | Shockmount |
| 7 | 98906-009 | 1 | Oil Drain Valve |
| 8 | 93824-003 | 1 | Petcock Valve |
| 9 | 99778-000 | 1 | Adapter |
| NI | 93084-000 | 2 | ½" Pipe Plug |
| NI | 94319-008 | 2 | Hose Fitting |
| NI | 81018-005 | 4 | Hose Clamp |
| NI | 350110-5 | 1 | Battery Tray |
| NI | 53220-039 | 1 | Positive (+) Battery Cable |
| NI | 53220-012 | 1 | Negative (-) Battery Cable |
| NI | 55505-000 | 6 FT | 3/8" Hose |
| NI | 62625-004 | 3 FT | Reflective Hose Sleeve |
| NI | 99420-021 | 1 | DC Engine Harness |
| NI | 350818-2 | 1 | Voltage Regulator AS440 UL |
| NI | R44LTS | 6** | Spark Plug |
| NI | PF-47 or PF-52 | 1** | Oil Filter |
| NI | 72036-015 | 1 | Battery Charger |
| NI | Not Illustrated | | |
| * | Impco Part # | | |
| ** | AC Delco Part # | | |

| MODEL # | PART # | DESCRIPTION |
|------------------------------|------------------------|---------------------------------------|
| ULPSS40-3/F ULPSS40-3/G | 99836-040 99826-140 | Breaker & Control Cabinet Assembly |
| ULPSS40-4/F ULPSS40-4/G | 99836-041 99836-141 | Breaker & Control Cabinet Assembly |
| ULPSS40-17/F ULPSS40-17/G | 99836-042 99836-142 | Breaker & Control Cabinet Assembly |
| ULPSS40-18/F ULPSS40-18/G | 99836-043 99836-143 | Breaker & Control Cabinet Assembly |

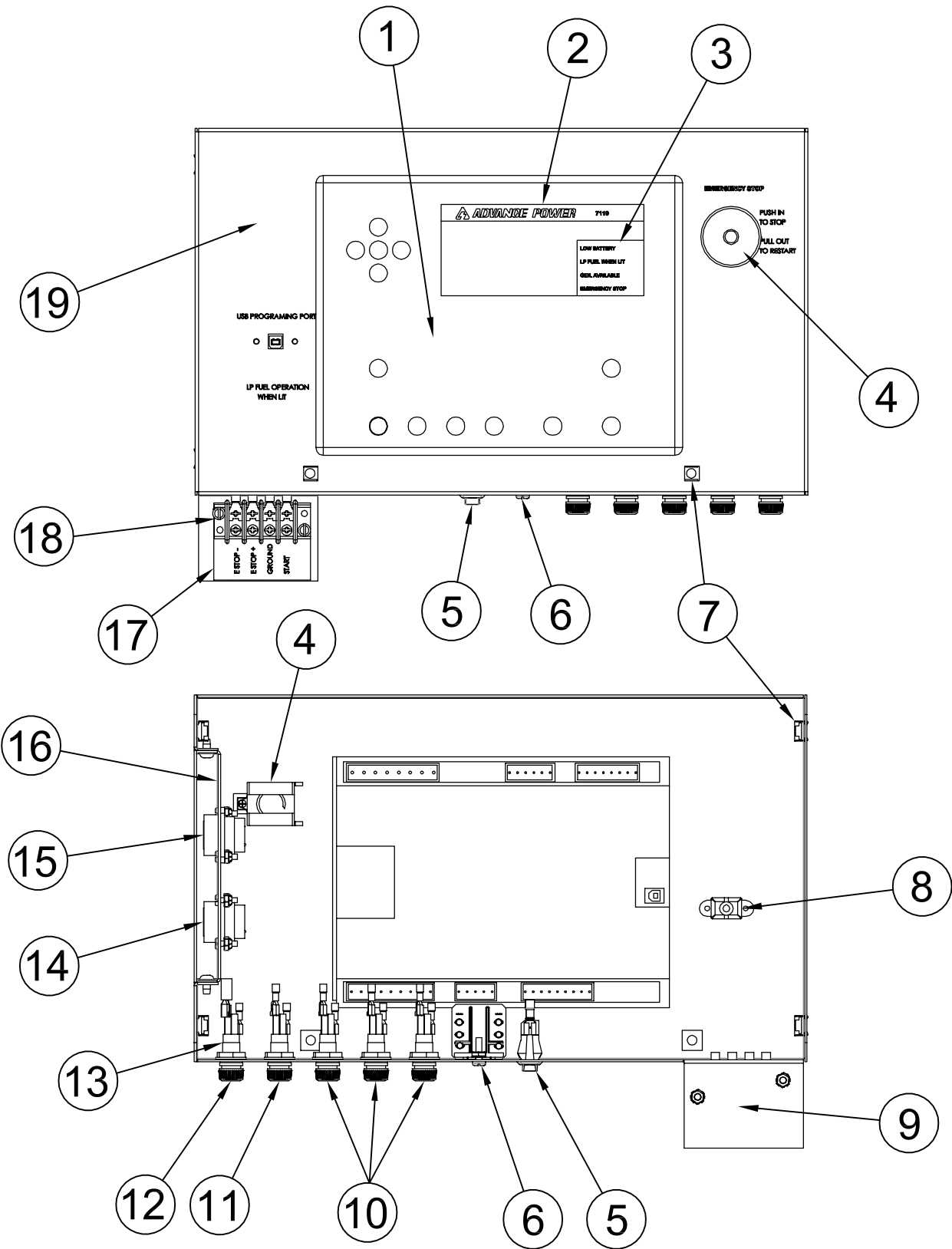
| MODEL # | STAMFORD NEWAGE MODEL # | WINCO PART # |
|---|-------------------------|--------------|
| ULPSS40-3/F ULPSS40-3/G | PI144J1J 4-LEAD | 350005-009 |
| ULPSS40-4/F & G ULPSS40-17/F & G ULPSS40-18/F & G | PI144K1L 12-LEAD | 350005-008 |

BLOCK HEATER ASSEMBLY



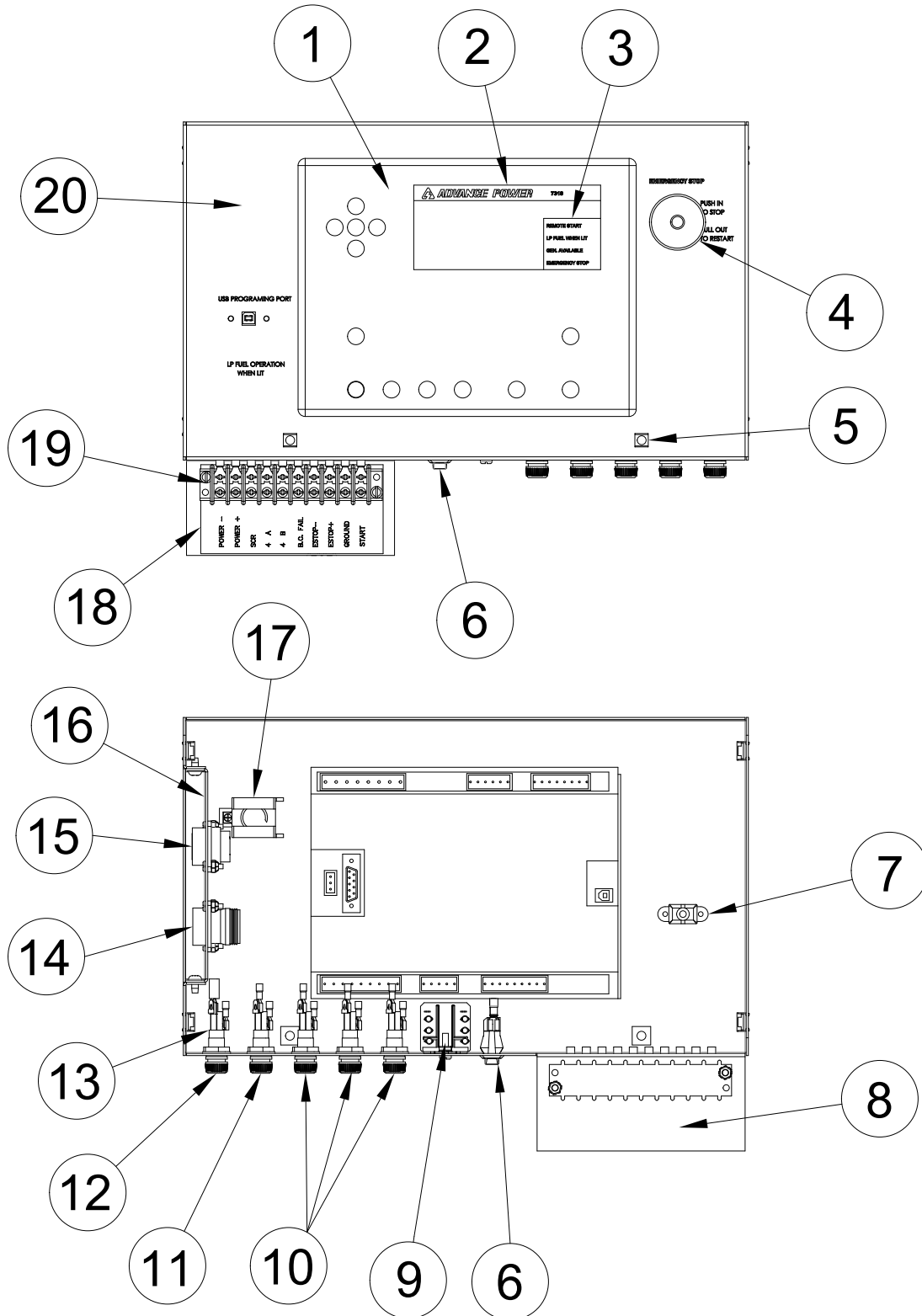
| REF # | PART NUMBER | QTY | DESCRIPTION |
|-------|----------------------|---------|--|
| 1 | provided with heater | 1 | Mounting Bracket |
| 2 | 80781-003 | 1 | 1000W 120V Tank Heater |
| 3 | 81018-005 | 4 | Hose Clamp |
| NI | 350341 | 1 | 1/4" NPT (M) X 5/8" Barb Hose Fitting |
| NI | 92388-000 | 1 | 3/8" NPT X 5/8" Hose Fitting |
| NI | 93689-001 | 5.33 FT | 5/8" I.D. Hose |
| NI | 62625-004 | 2 FT | 1.5" Hose Heat Sleeve |
| NI | Not Illustrated | | |

ENGINE CONTROL ASSEMBLY ULPSS40/F WITH DSE 7110



| REF # | PART NUMBER | QTY | DESCRIPTION |
|-------|-----------------|-----|-------------------------|
| 1 | 351112-3 | 1 | DSE 7110 Controller |
| 2 | 1660-001 | 1 | Advance Power Insert |
| 3 | 16601-003 | 1 | LED Legend Insert |
| 4 | 99783-002 | 1 | Emergency Stop Switch |
| 5 | 64089-000 | 1 | SPST Rocker Switch |
| 6 | 59944-017 | 1 | DPDT Relay 12VDC 10 Amp |
| 7 | 92495-000 | 6 | Retainer Nut |
| 8 | 92844-005 | 1 | USB Cable |
| 9 | 99826-196 | 1 | DC Box |
| 10 | 95064-002 | 3 | 2 Amp Fuse |
| 11 | 95064-000 | 1 | 3 Amp Fuse |
| 12 | 95064-006 | 1 | 10 Amp Fuse |
| 13 | 2489-001 | 5 | Fuse Holder |
| 14 | 96925-006 | 1 | 16 Pin Connector |
| 15 | 96925-002 | 1 | 14 Pin Connector |
| 16 | 351900-11 | 1 | Connector Plate |
| 17 | 64576-019 | 1 | Remote Terminal Decal |
| 18 | 80623-008 | 1 | 4 Point Terminal Block |
| 19 | 99055-037 | 1 | Control Panel |
| NI | 99783-002 | 1 | E Stop Contact |
| NI | Not Illustrated | | |

ENGINE CONTROL ASSEMBLY ULPSS40/G WITH DSE 7310

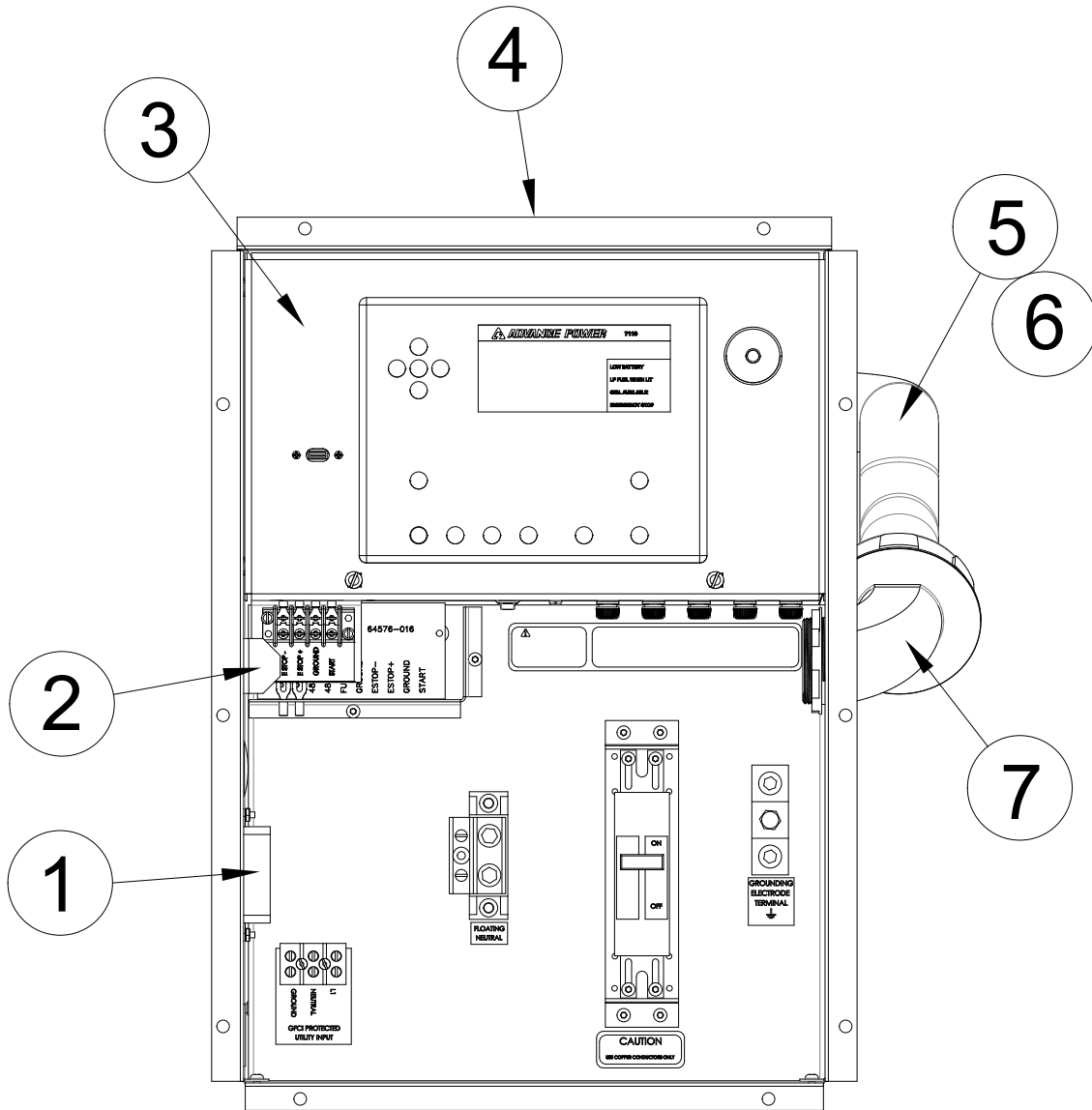


| REF # | PART NUMBER | QTY | DESCRIPTION |
|-------|-------------|-----|-------------------------|
| 1 | 351112-4 | 1 | DSE 7310 Controller |
| 2 | 1660-001 | 1 | Advance Power Insert |
| 3 | 16601-001 | 1 | LED Legend Insert |
| 4 | 99783-001 | 1 | Emergency Stop Switch |
| 5 | 92495-000 | 6 | Retainer Nut |
| 6 | 64089-000 | 1 | SPST Rocker Switch |
| 7 | 92844-005 | 1 | USB Cable |
| 8 | 99826-196 | 1 | DC Box |
| 9 | 59944-017 | 1 | DPDT Relay 12VDC 10 Amp |
| 10 | 95064-002 | 3 | 2 Amp Fuse |
| 11 | 95064-000 | 1 | 3 Amp Fuse |
| 12 | 95064-006 | 1 | 10 Amp Fuse |
| 13 | 2489-001 | 5 | Fuse Holder |
| 14 | 96925-006 | 1 | 16 Pin Connector |
| 15 | 96925-002 | 1 | 14 Pin Connector |
| 16 | 351900-11 | 1 | Connector Plate |
| 17 | 99783-002 | 1 | E Stop Contact |
| 18 | 64576-019 | 1 | Remote Terminal Decal |
| 19 | 80623-006 | 1 | 10 Point Terminal Block |
| 20 | 99055-038 | 1 | Control Panel |

DECALS

| REF # | PART NUMBER | QTY | DESCRIPTION |
|-------|-------------|-----|---------------------------|
| NI | 97813-000 | 3 | Warning Auto Start Decal |
| NI | 63941-001 | 1 | Hot Surface Decal |
| NI | 15209-000 | 1 | UL Decal Set |
| NI | 15209-100 | 1 | French UL Decal Set |
| NI | 16502-001 | 1 | AC Disconnect Decal |
| NI | 63941-003 | 1 | Battery Compartment Decal |
| NI | 63941-005 | 1 | Receptacle Caution Decal |
| NI | 15210-010 | 1 | UL Fuel System Decal |

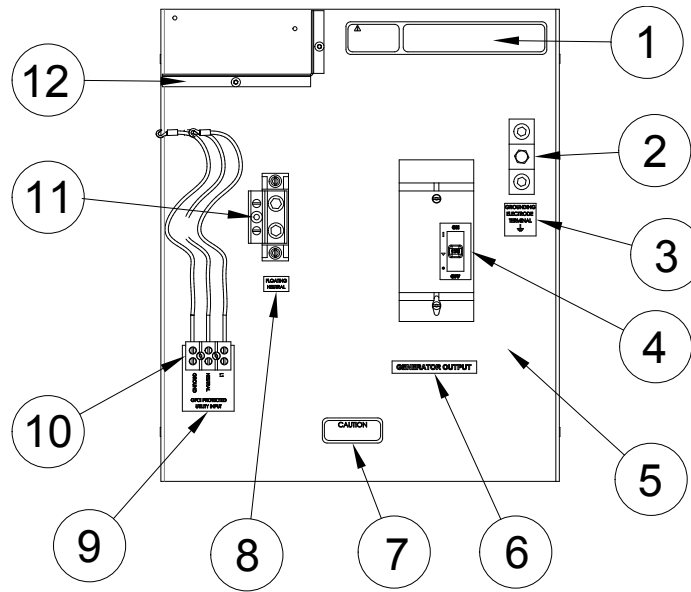
CONTROL CABINET ASSEMBLY



| REF # | PART NUMBER | QTY | DESCRIPTION |
|-------|-----------------|-----|-----------------------------|
| 1 | 24749-000 | 1 | Duplex Receptacle |
| 2 | 99826-194 | 1 | Door Latch |
| 3 | 99775-003 | 1 | DSE 7110 Control Assembly |
| 3 | 99775-000 | 1 | DSE 7310 Control Assembly |
| 4 | 99826-160 | 1 | Basler / Breaker Cabinet |
| 5 | 16522-000 | 1 | 2" Straight Conduit |
| 6 | 16523-001 | 22" | Flex Conduit |
| 7 | 16522-001 | 1 | 90° Conduit |
| NI | SEE TABLE | 1 | Circuit Breaker Cover Panel |
| NI | 54847-010 | 1 | 1-3/8" Hole Plug |
| NI | Not Illustrated | | |

| WINCO MODEL # | PART # |
|------------------------------|-----------|
| ULPSS40-3/F ULPSS40-3/G | 99826-240 |
| ULPSS40-4/F ULPSS40-4/G | 99826-241 |
| ULPSS40-17/F ULPSS40-17/G | 99826-242 |
| ULPSS40-18/F ULPSS40-18/G | 99826-243 |

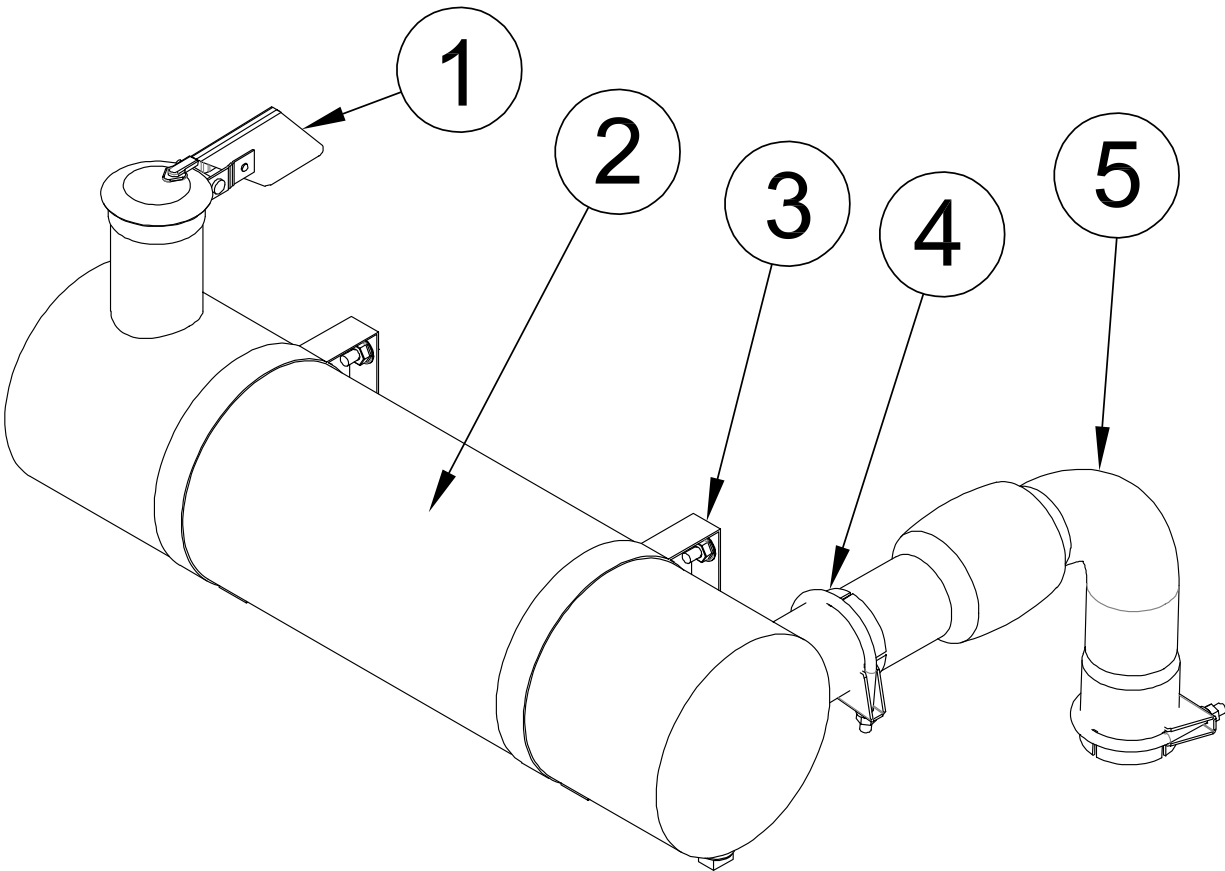
CIRCUIT BREAKER ASSEMBLY



| REF # | PART NUMBER | QTY | DESCRIPTION |
|-------|-------------|-----|------------------------|
| 1 | 63941-007 | 1 | Fuse ID Warning Decal |
| 2 | 58060-000 | 2 | Ground Terminal Lug |
| 3 | 16499-000 | 1 | UL Grounding Decal |
| 4 | SEE TABLE | 1 | Circuit Breaker |
| 5 | SEE TABLE | 1 | Circuit Breaker Panel |
| 6 | 64576-009 | 1 | Generator Output Decal |
| 7 | 16503-000 | 1 | Copper Conductor Decal |
| 8 | 16501-000 | 1 | Floating Neutral Decal |
| 9 | 64576-006 | 1 | GFCI Protected Decal |
| 10 | 51795-000 | 1 | 3 Point Terminal Block |
| 11 | 350124-4 | 1 | Neutral Lugs |
| 12 | 99826-042 | 1 | DC Box |

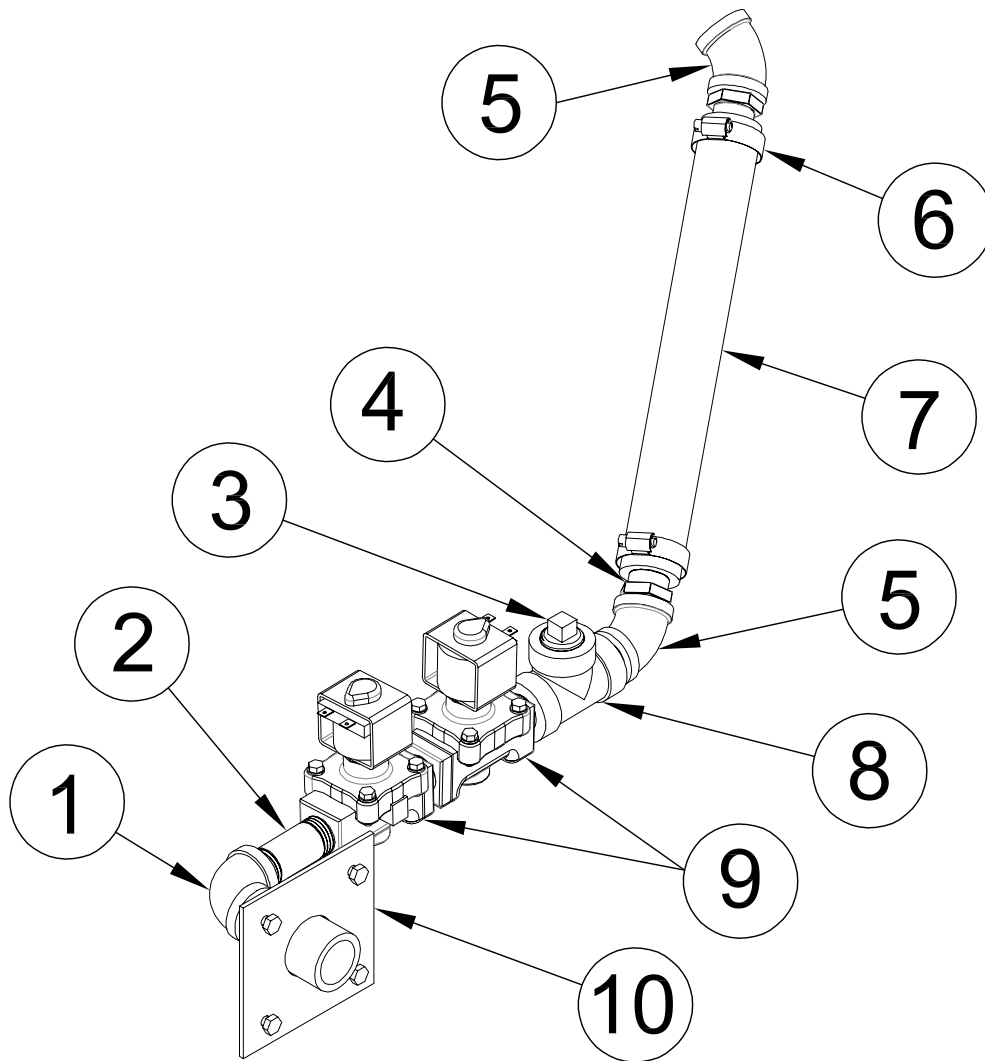
| WINCO MODELS | PART NUMBER | DESCRIPTION |
|------------------------------|------------------------|------------------------------------|
| ULPSS40-3/F ULPSS40-3/G | 91447-009 99826-340 | 175 AMP 2-POLE BREAKER CB PANEL |
| ULPSS40-4/F ULPSS40-4/G | 81096-003 99826-341 | 150 AMP 3-POLE BREAKER CB PANEL |
| ULPSS40-17/F ULPSS40-17/G | 81096-002 99826-342 | 125 AMP 3-POLE BREAKER CB PANEL |
| ULPSS40-18/F ULPSS40-18/G | 81097-004 99826-343 | 60 AMP 3-POLE BREAKER CB PANEL |

EXHAUST ASSEMBLY



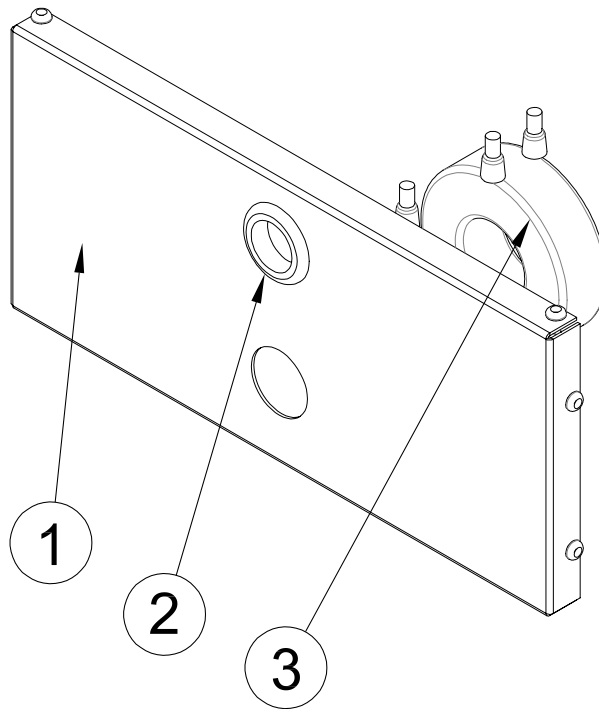
| REF # | PART NUMBER | QTY | DESCRIPTION |
|-------|-------------|-----|---------------------|
| 1 | 53111-008 | 1 | 3" Rain Cap |
| 2 | 80519-013 | 1 | Muffler |
| 3 | 350264-7 | 2 | 8" Exhaust Band |
| 4 | 93489-001 | 2 | 3 3/8" Muffer Clamp |
| 5 | 99502-012 | 1 | Exhaust Flex |

VAPOR FUEL SYSTEM ASSEMBLY



| REF # | PART NUMBER | QTY | DESCRIPTION |
|-------|-------------|------|------------------|
| 1 | 50244-000 | 1 | 90° Pipe Elbow |
| 2 | 54074-001 | 1 | 3 ½" Pipe Nipple |
| 3 | 93564-000 | 1 | Pipe Plug |
| 4 | 92388-004 | 2 | Hose Fitting |
| 5 | 56896-000 | 2 | 45° Pipe Elbow |
| 6 | 81018-004 | 2 | Hose Clamp |
| 7 | 49409-000 | 5 FT | 1" Hose |
| 8 | 94907-000 | 1 | Pipe Tee |
| 9 | 42942-000 | 2 | Solenoid |
| 10 | 99065-000 | 1 | Weldment Cover |

AC WIRING MODIFICATIONS

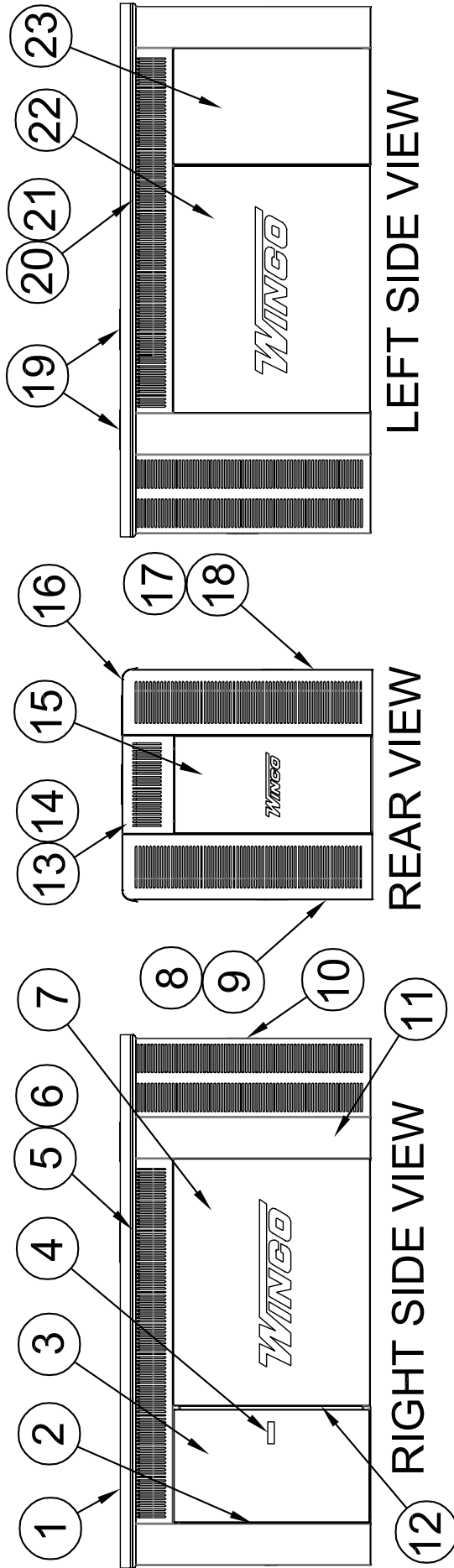


| REF # | PART NUMBER | QTY | DESCRIPTION |
|-------|-------------|--------|---------------------|
| 1 | 64702-001 | 1 | Front Panel |
| 2 | SEE TABLE | 2 or 3 | Current Transformer |
| 3 | 62486-000 | 1 | Grommet |
| NI | SEE TABLE | 1 | AC Harness |

| MODEL # | PART # | QTY | DESCRIPTION |
|---|-----------|-----|--|
| ULPSS40-3/F ULPSS40-3/G | 80124-008 | 2 | 500 to 5 Amp Current Transformer |
| ULPSS40-4/F & G ULPSS40-17/F & G ULPSS40-18/F & G | 80124-008 | 3 | 500 to 5 Amp Current Transformer |

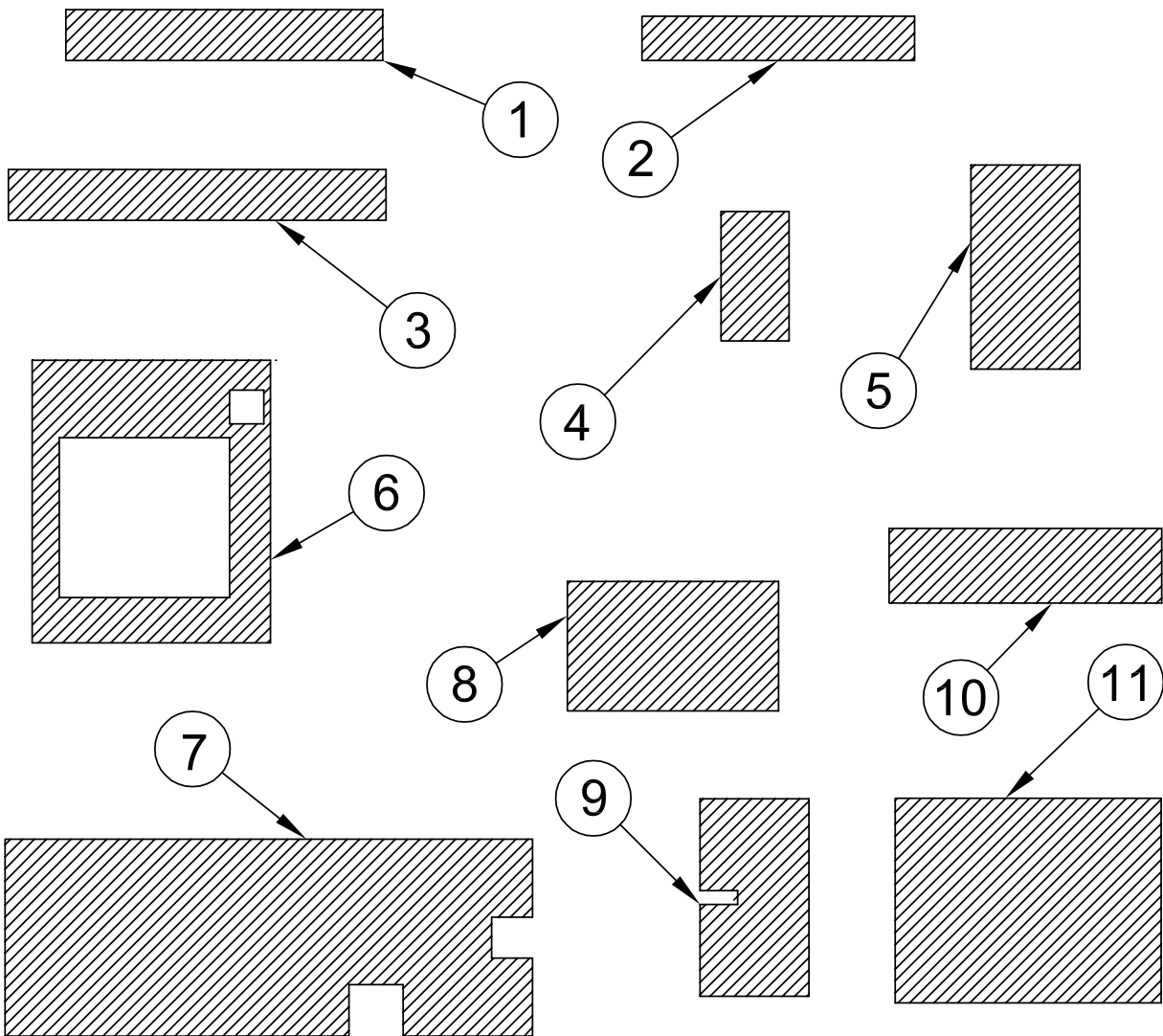
| MODEL # | PART # | QTY | DESCRIPTION |
|---|-----------|-----|-------------|
| ULPSS40-3/F ULPSS40-3/G | 99347-014 | 1 | AC Harness |
| ULPSS40-4/F & G ULPSS40-17/F & G ULPSS40-18/F & G | 99347-015 | 1 | AC Harness |

HOUSING ASSEMBLY



| REF # | PART NUMBER | QTY | DESCRIPTION |
|-------|-----------------|-------|----------------------------|
| 1 | 99515-040 | 1 | Roof |
| 2 | 98375-018 | 1 | Door Hinge |
| 3 | 15680-056 | 1 | PSS40 Door |
| 4 | 95229-005 | 1 | Door Latch |
| 5 | 99098-043 | 1 | Right Side Sill |
| 6 | 99378-145 | 1 | Right Side Sill Baffle |
| 7 | 99100-044 | 1 | Right Side Panel |
| 8 | 99067-041 | 1 | Left Rear Corner Post |
| 9 | 99378-143 | 1 | Left Rear Baffle |
| 10 | 99071-036 | 1 | Radiator Housing |
| 11 | 99071-035 | 1 | Housing Front |
| 12 | 99333-016 | 1 | Door Stop |
| 13 | 99100-044 | 1 | Rear Sill |
| 14 | 99378-142 | 1 | Rear Sill Baffle |
| 15 | 99072-007 | 1 | Rear Panel |
| 16 | 99225-004 | 2 | Roof Support |
| 17 | 99067-040 | 1 | Right Rear Corner Post |
| 18 | 99378-144 | 1 | Right Rear Baffle |
| 19 | 99515-012 | 2 | Roof Access Cover |
| 20 | 99098-044 | 1 | Left Side Sill |
| 21 | 99378-146 | 1 | Left Side Sill Baffle |
| 22 | 99100-045 | 1 | Left Side Panel |
| 23 | 99100-046 | 1 | Left Side Rear Panel |
| NI | 99060-008 | 4 | Lifting Eye Cover Plate |
| NI | 91683-000 | 8 | ¼ Turn Rect. Clip Nut |
| NI | 91682-002 | 8 | ¼ Turn Bail Style Stud |
| NI | 91684-000 | 8 | ¼ Turn Split Ring Retainer |
| NI | 65000-003 | 8 | Thumb Screw |
| NI | 62912-002 | 6 FT | 3/8" Foam Strip |
| NI | 62912-000 | 10 FT | ½" Foam Strip |
| NI | 92421-000 | 12 FT | 1.5" X 1.5" Foam Strip |
| NI | Not Illustrated | | |

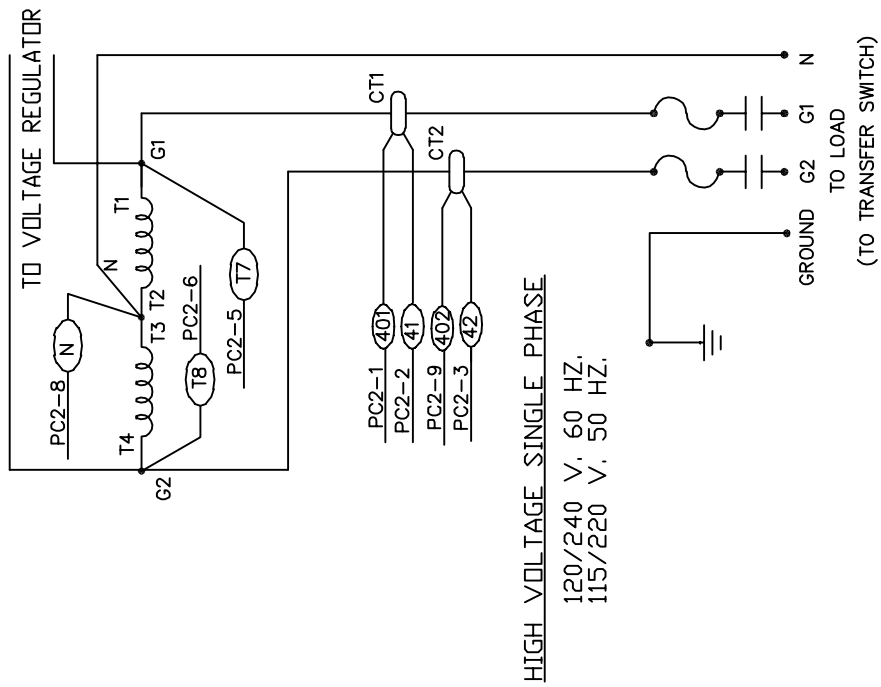
ACOUSTIC FOAM PIECES



DRAWN WITH RELEASE LINER UP.

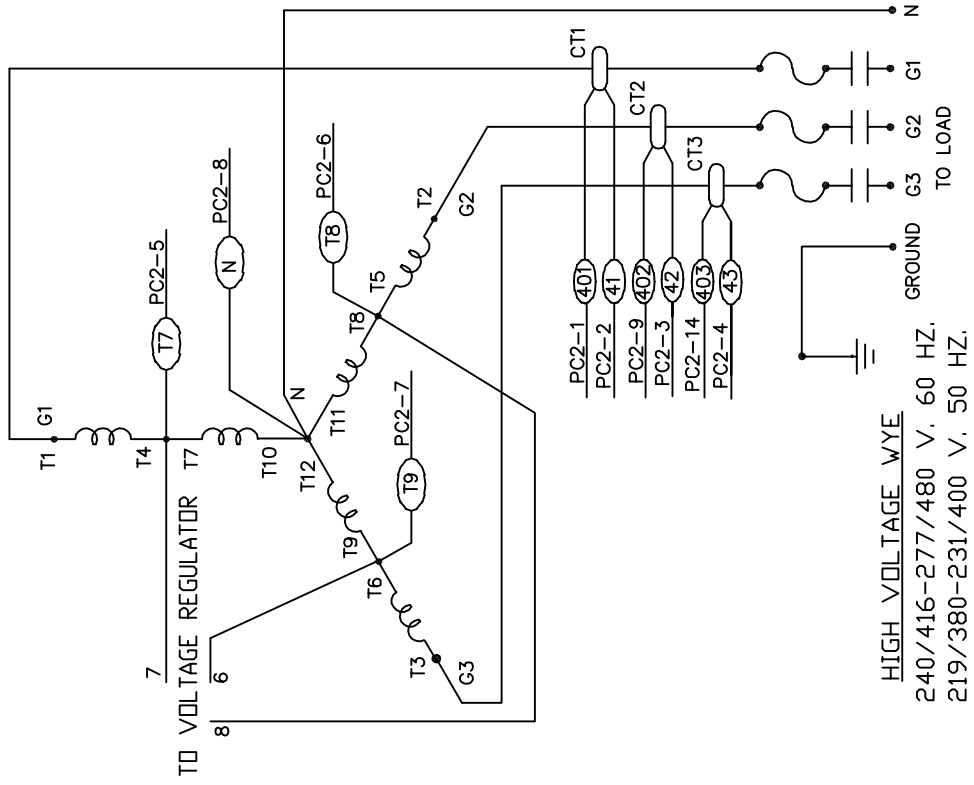
| REF # | PART NUMBER | QTY | DESCRIPTION |
|-------|-------------|-----|-----------------------|
| 1 | 99393-411 | 1 | Left Side Sill Foam |
| 2 | 99393-412 | 2 | Rear Baffle Foam |
| 3 | 99393-421 | 1 | Right Side Sill Foam |
| 4 | 99393-416 | 1 | Back Top Foam |
| 5 | 99393-417 | 1 | Rear Center Panel |
| 6 | 99393-415 | 1 | Radiator Housing Foam |
| 7 | 99393-420 | 1 | Roof Foam |
| 8 | 99393-413 | 1 | Rear Side Panel Foam |
| 9 | 99393-418 | 1 | Door Foam |
| 10 | 99393-414 | 2 | Front Side Foam |
| 11 | 99393-419 | 2 | Side Panel Foam |

ULPSS40-3/F & G

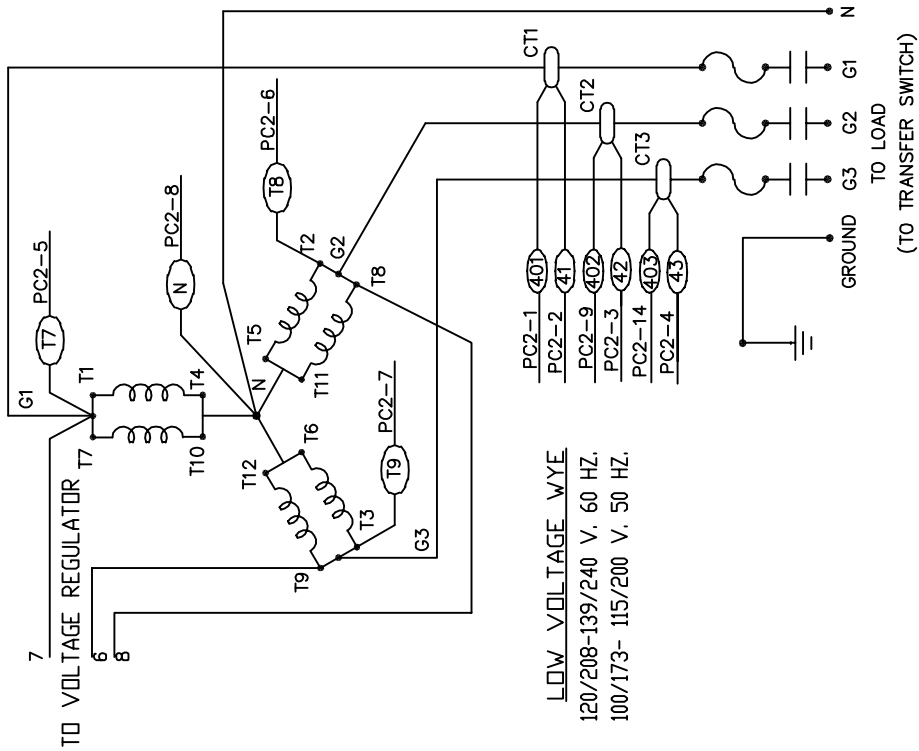


AC WIRING SCHEMATICS

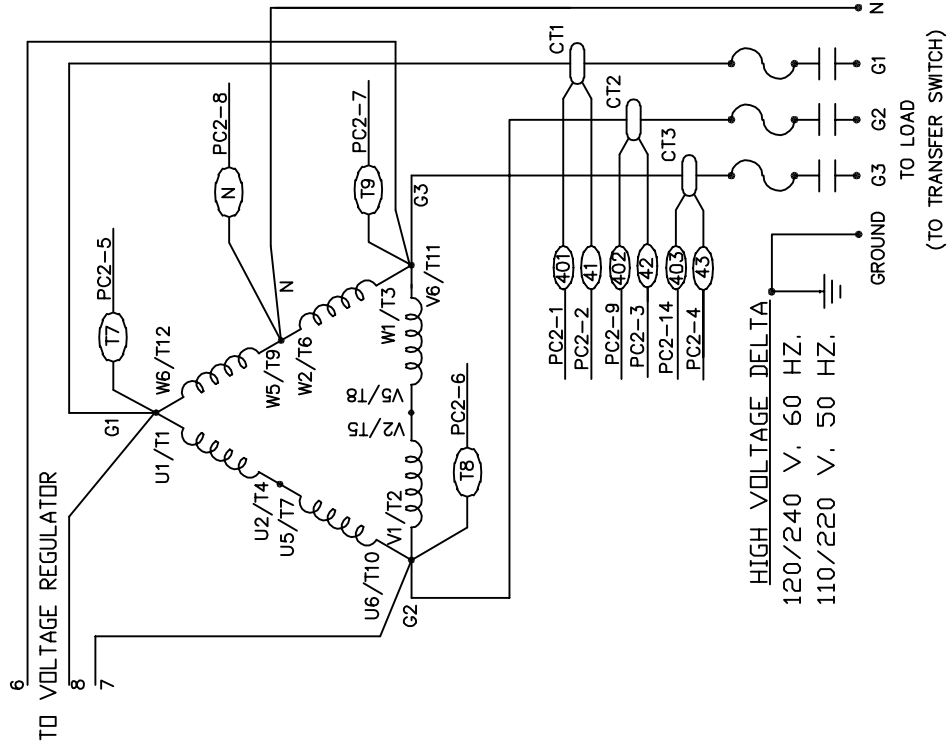
ULPSS40-18/F & G



ULPSS40-4/F & G

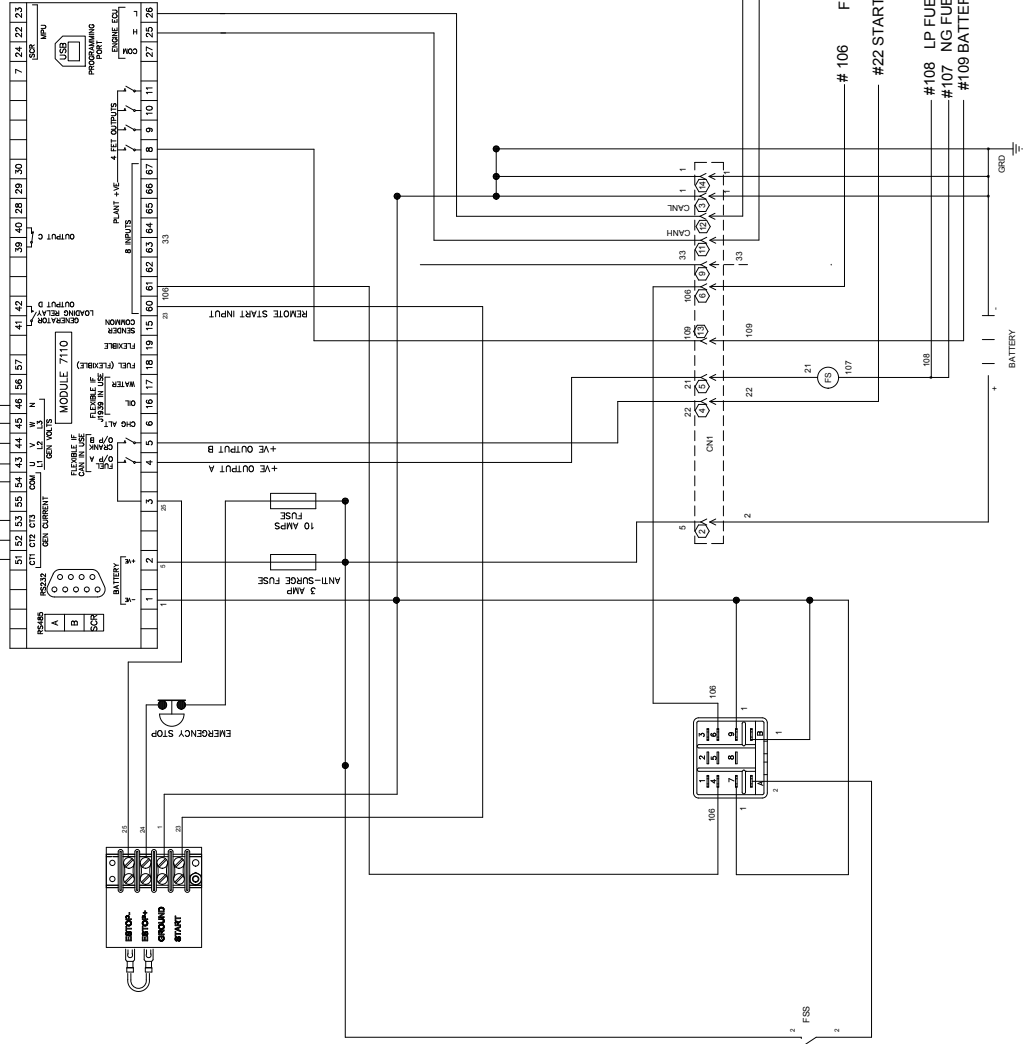
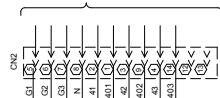


ULPSS40-17/F & G



DC WIRING SCHEMATIC DSE7110

TO A.C. POWER GENERATOR



LEGEND

- CN1 16 PIN (LARGE CONNECTOR)
- ENGINE CONTROL HARNESS
- CN2 14 PIN GENERATOR HARNESS
- AC CONTROL HARNESS
- CANH CANBUS HIGH
- CANL CANBUS LOW
- ESS EMERGENCY STOP SWITCH
- GRD GROUND (CHASSIS OR FRAME)
- LCL OPTIONAL LOW COOLANT LEVEL PROBE
- FS FUEL SOLENOIDS
- FSS FUEL SELECT SWITCH

- GROUND
- AUX PWN 5
- CAN -
- CAN +
- AUX ANA PUD 1
- GOV 1
- AUX ANA PUD3
- AUX ANA PUD.2
- FUEL SELECT
- MIL
- START COMMAND
- AUX PWN 4
- E - BROWN/PINK
- D - PINK/DK GREEN
- C - LT BLUE/WHITE
- B - WHITE/BLACK
- A - PINK/TAN

- #1 BAT NEG
- NOT USED
- CANL
- CANH
- NOT USED
- NOT USED
- NOT USED
- NOT USED
- FUEL SELECT
- NOT USED
- #22 START COMMAND
- NOT USED
- NOT USED
- #108 LP FUEL SOLENOID
- #107 NG FUEL SOLENOID
- #109 BATTERY POSITIVE

DC WIRING SCHEMATIC DSE7310

