



# ILLUSTRATED PARTS LIST

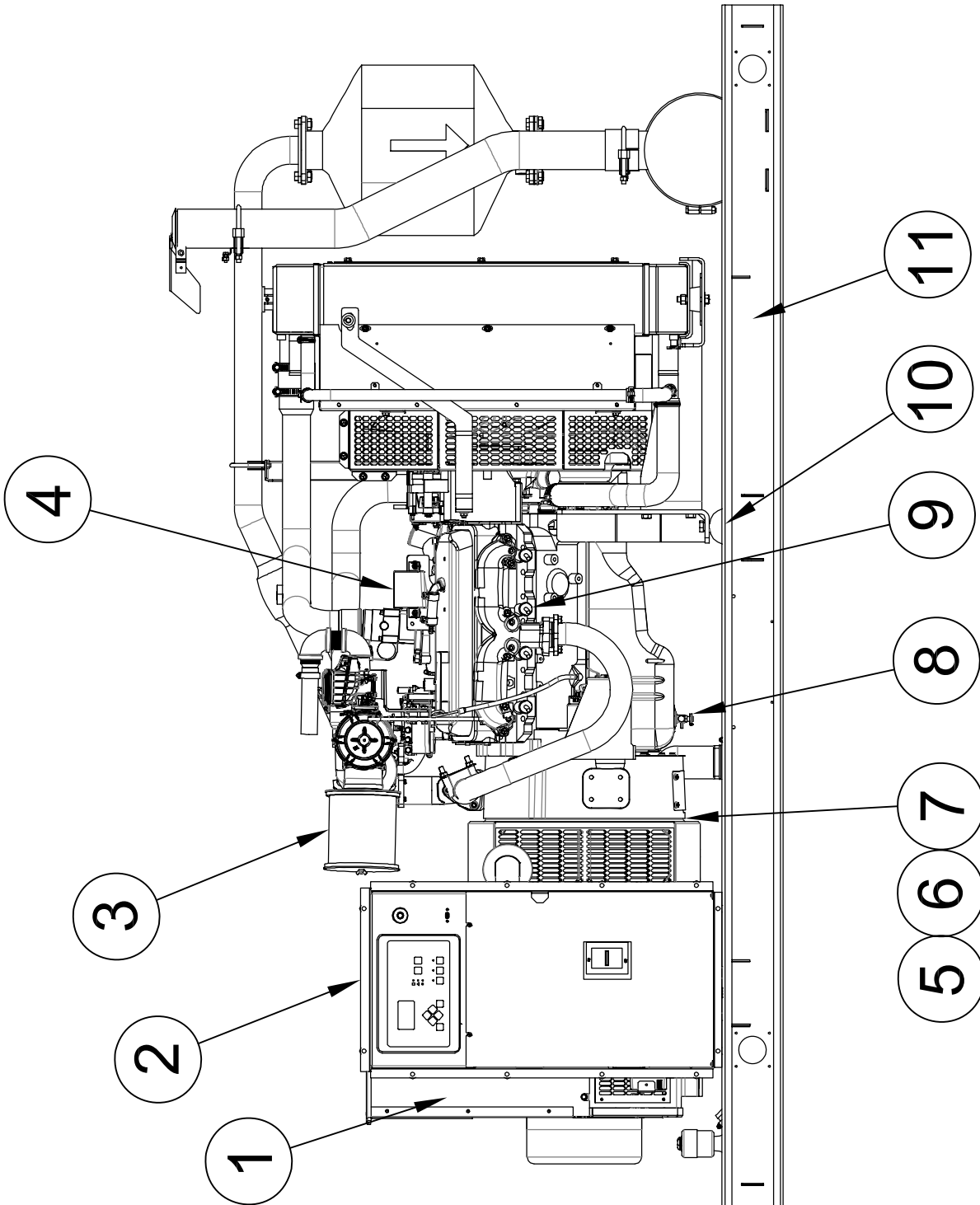
**ULPSS90-3/A**  
**ULPSS90-4/A**  
**ULPSS90-17/A**  
**ULPSS90-18/A**

**WITH BASLER DGC-2020  
ENGINE CONTROL**



225 S. CORDOVA AVE.  
LECENTER, MN 56057  
507-357-6821  
SERVICE DEPT.  
507-357-6831

# GENERATOR ASSEMBLY

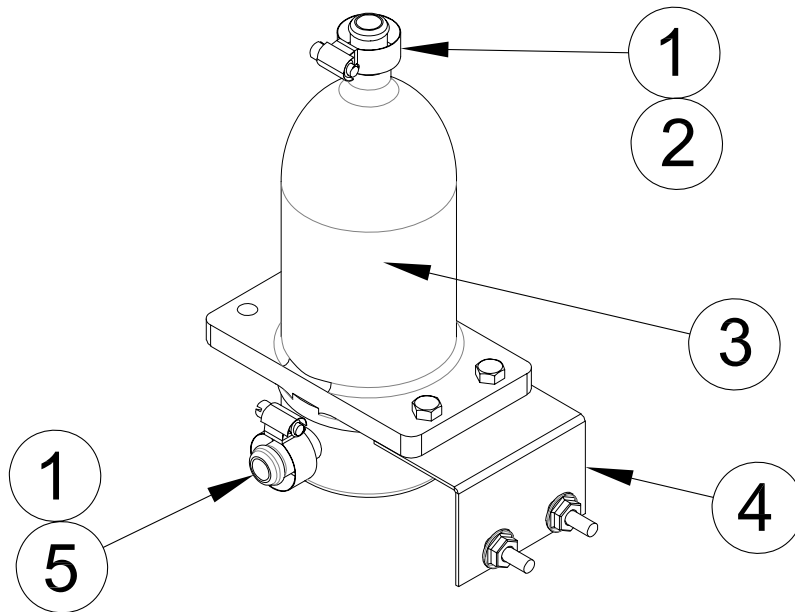


REF #	PART NUMBER	QTY	DESCRIPTION
1	SEE TABLE	1	Stanford Newage Generator
2	SEE TABLE	1	Breaker / Control Assembly
3	97294-005	1	Air Filter Assembly
3	AF1-15ULSP3	1*	Air Filter with 3" Hose Adapter
4	351987-9	1	Engine GM 5.7 Liter Turbo
5	96000-004	12	3/8-16 X 1.5" Bolt
6	96000-002	8	.375-16 X 1" Bolt
7	481-001	20	Lock Washer
8	98906-009	1	Oil Drain Valve
9	R42LTS or R44LTS	8**	Spark Plug
10	98956-001	4	Shockmount
11	99309-090	1	Welded Base Assembly
NI	99420-023	1	GM DC Engine Harness
NI	PF454	1**	Oil Filter, AC Delco
NI	93084-000	2	½" Pipe Plug
NI	93824-003	1	Petcock Valve
NI	94319-008	2	Hose Fitting
NI	55505-000	6 FT	3/8" Hose
NI	62625-004	2 FT	Hose Heat Sleeve
NI	99317-001	1	Battery Tray
NI	53220-013	1	Negative (-) Battery Cable
NI	53220-058	1	Positive (+) Batter Cable
NI	350818-2	1	Voltage Regulator AS440UL
NI	Not Illustrated		
*	Impco Part #		
**	AC Delco Part #		

MODEL #	STAMFORD NEWAGE MODEL #	WINCO PART #
PSS90-3/A	UCI274C1J 4-LEAD	352013-1
PSS90-4/A PSS90-17/A PSS90-18/A	UCI274C1L 12-LEAD	352013-2

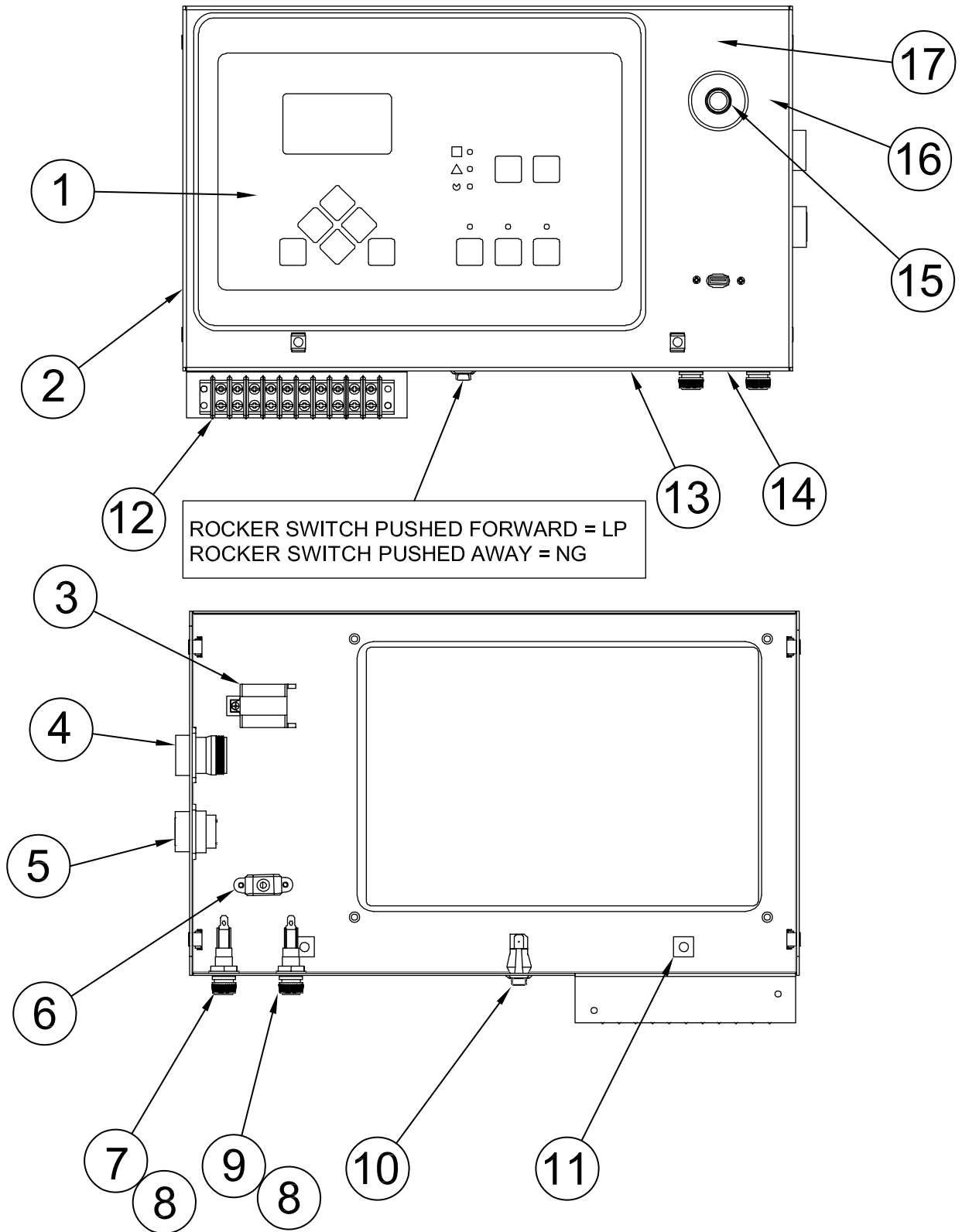
MODEL #	DESCRIPTION	WINCO PART #
PSS90-3/A	BREAKER / CONTROL BOX ASSEMBLY	99836-094
PSS90-4/A	BREAKER / CONTROL BOX ASSEMBLY	99836-095
PSS90-17/A	BREAKER / CONTROL BOX ASSEMBLY	99836-096



## BLOCK HEATER ASSEMBLY



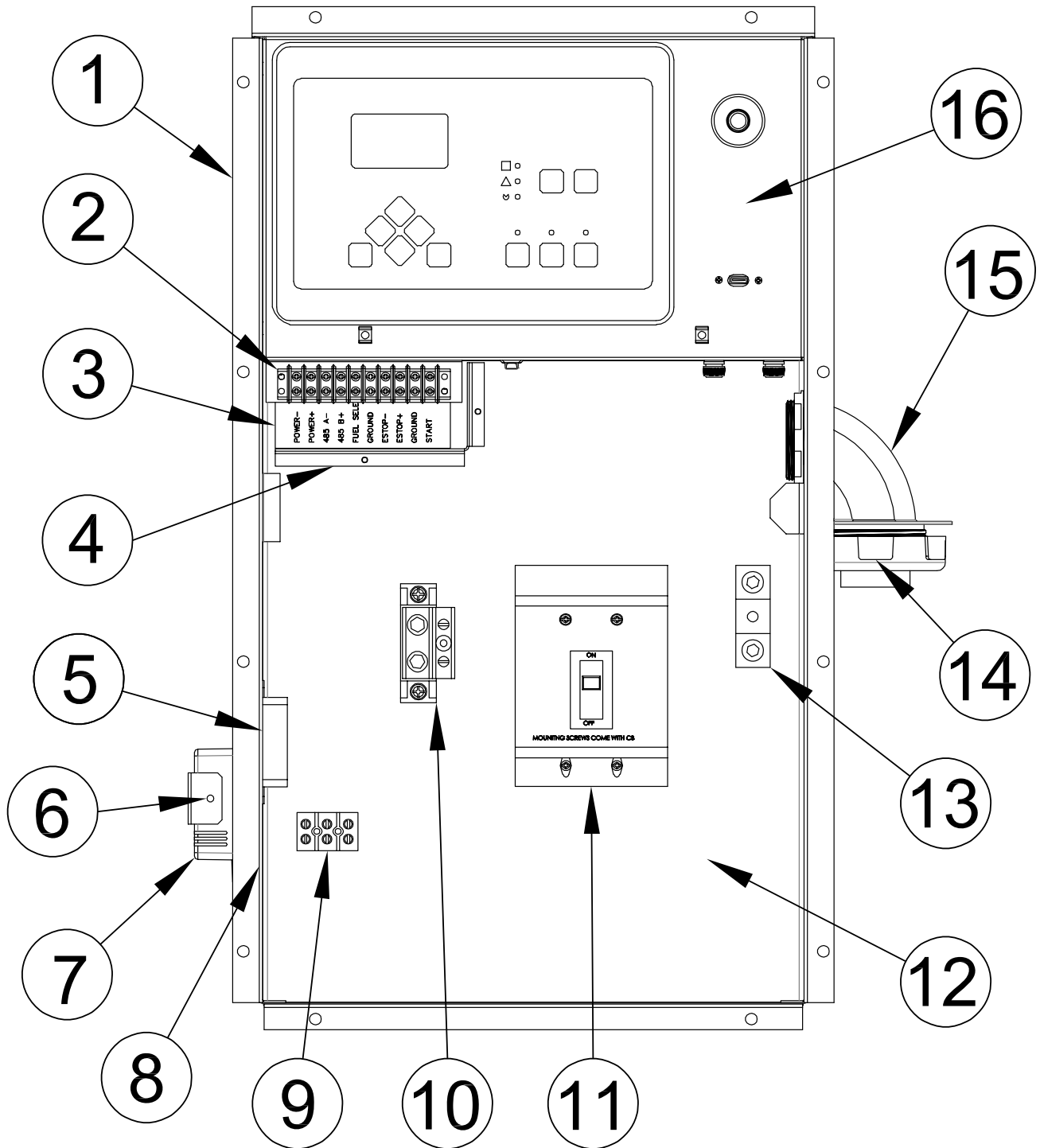
REF #	PART NUMBER	QTY	DESCRIPTION
1	81018-005	4	Hose Clamp
2	93689-001	29"	5/8" Hose
3	80781-003	1	1000W Tank Heater
4	Reference	1	Mounting Bracket (included with heater)
5	93689-001	36"	5/8" Hose
NI	350341	1	1/4" X 5/8" Hose Fitting
NI	92388-000	1	3/8" X 5/8" Hose Fitting
NI	Not Illustrated		

# ENGINE CONTROL ASSEMBLY



REF #	PART NUMBER	QTY	DESCRIPTION
1	351885-1 	1	Basler DGC-2020 Control
2	99826-191	1	Basler Mount
3	99783-002	1	Emergency Stop Switch Contact
4	96925-006	1	16 Pin Connector
5	96925-002	1	14 Pin Connector
6	92884-000	1	USB Cable
7	95064-006	1	10 Amp Fuse
8	2489-001	2	Fuse Holder
9	95064-000	1	3 Amp Fuse
10	64089-000	1	Rocker Switch
11	92495-000	6	Tinnerman Nut
12	63941-006 	1	10 Point Terminal Block
13	15983-008	1	3 Amp Fuse Decal
14	15983-006	1	10 Amp Fuse Decal
15	99783-001	1	Push-Pull Switch
16	63941-006	1	Emergency Stop Decal
17	63941-004	1	UL Warning Decal
NI	300542	1	3V Lithium Battery
NI	Not Illustrated		

# CONTROL CABINET ASSEMBLY

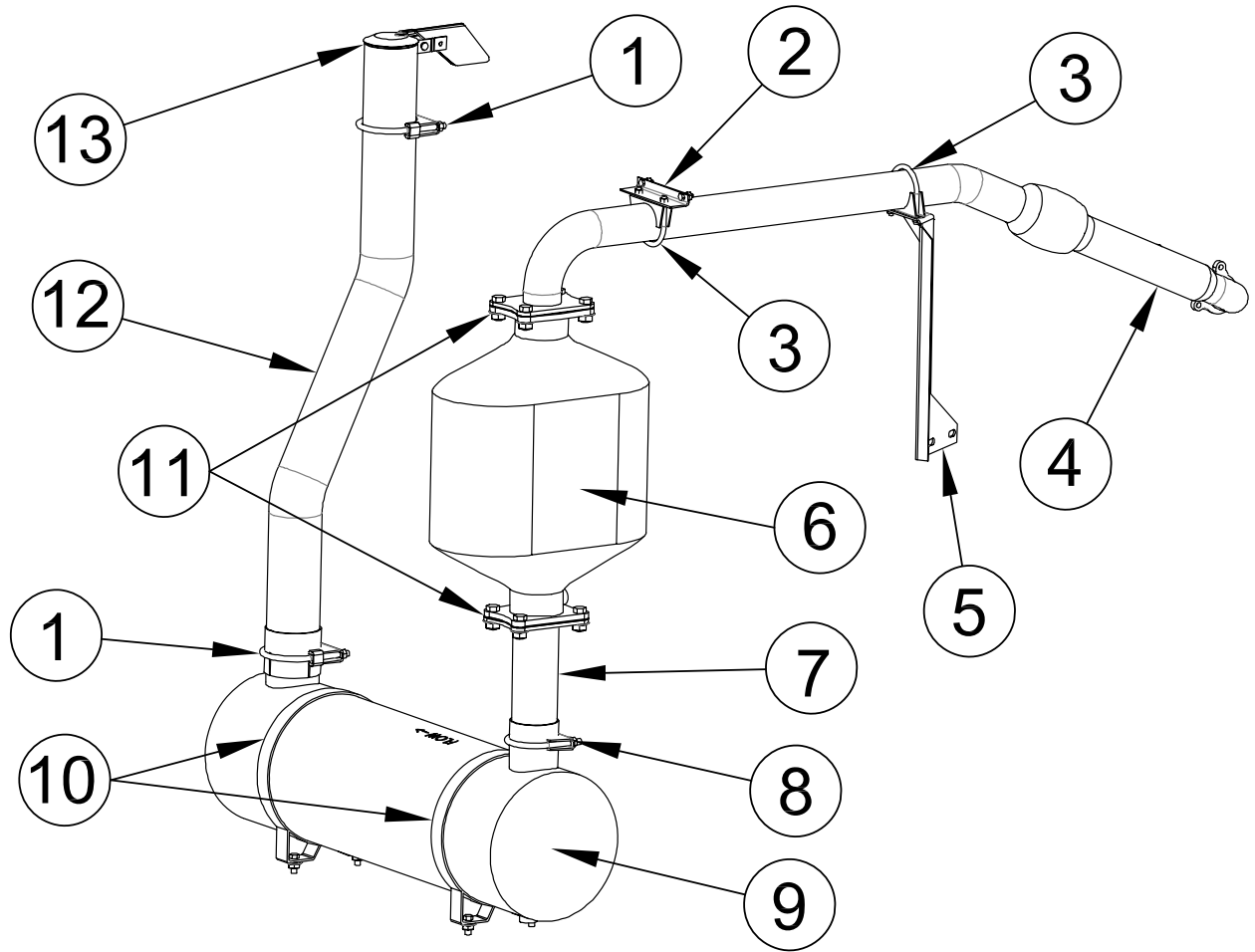


REF #	PART NUMBER	QTY	DESCRIPTION
1	99826-390	1	Control & Breaker Panel
2	80623-006	1	10 Point Terminal Block
3	64576-016	1	Terminal Block Decal
4	99826-195	1	Terminal Block Box
5	24749-000	1	Duplex Receptacle
6	300308-410	1	Battery Tender Hold Down
7	16287-000	1	Battery Tender
8	15102-002	1	2 1/2" Hole Plug
9	51795-000	1	3 Point Terminal Block
10	350124-2	1	Neutral Block
11	SEE TABLE	1	Circuit Breaker
12	SEE TABLE	1	Breaker Cover Panel
13	58060-000	1	Ground Block
14	16522-001	2	2" Flexible Conduit Fitting
15	16523-000	1	2" Flexible Conduit
16	99777-022	1	Control Box Assembly

MODEL #	PART #	DESCRIPTION
PSS90-3/A	81094-009 92076-003	350 Amp 240Volt 2-Pole Breaker Circuit Breaker Panel
PSS90-4/A	81096-008 92076-004	300 Amp 240 Volt 3-Pole Breaker Circuit Breaker Panel
PSS90-17/A	81096-007 92076-005	250 Amp 240 Volt 3-Pole Breaker Circuit Breaker Panel
PSS90-18/A	81097-038 92076-006	125 Amp 600 Volt 3-Pole Breaker Circuit Breaker Panel

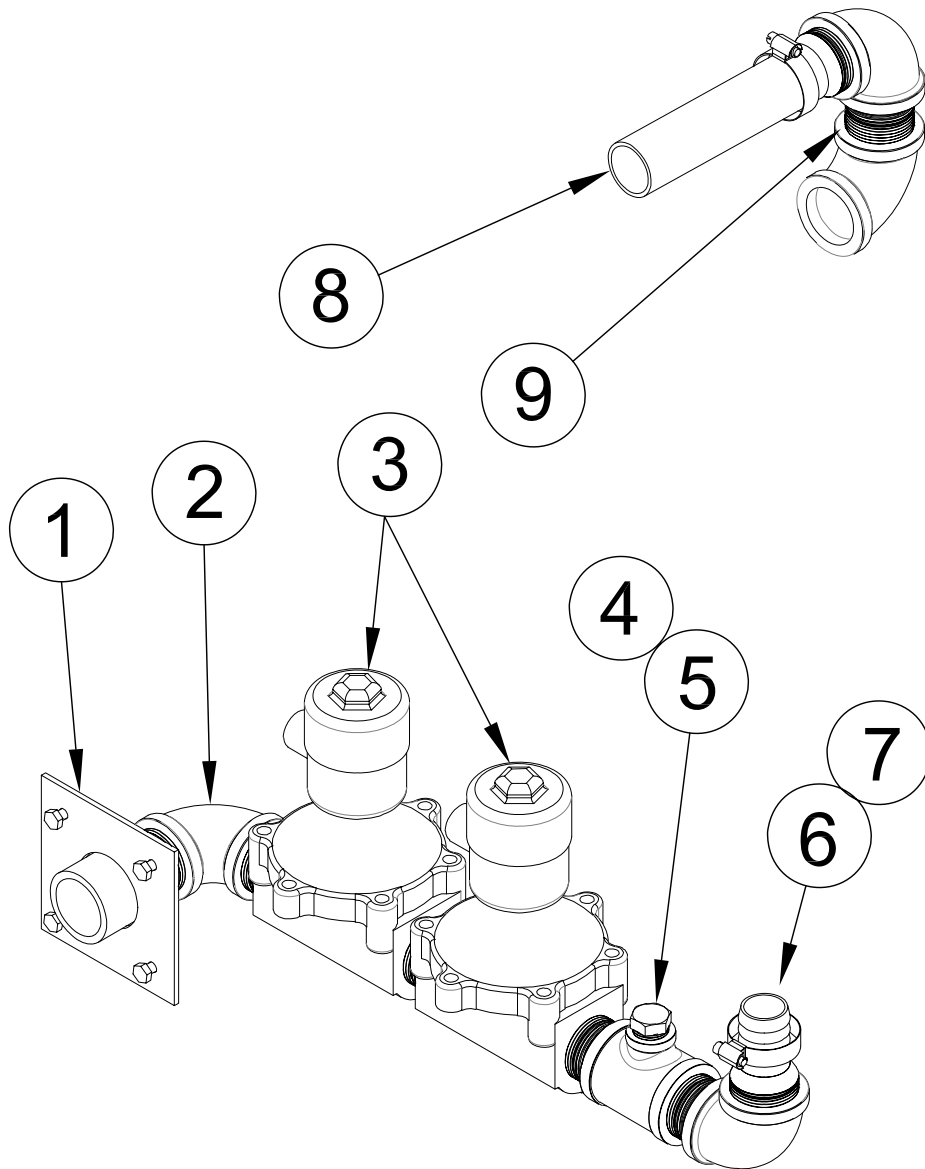


# EXHAUST ASSEMBLY



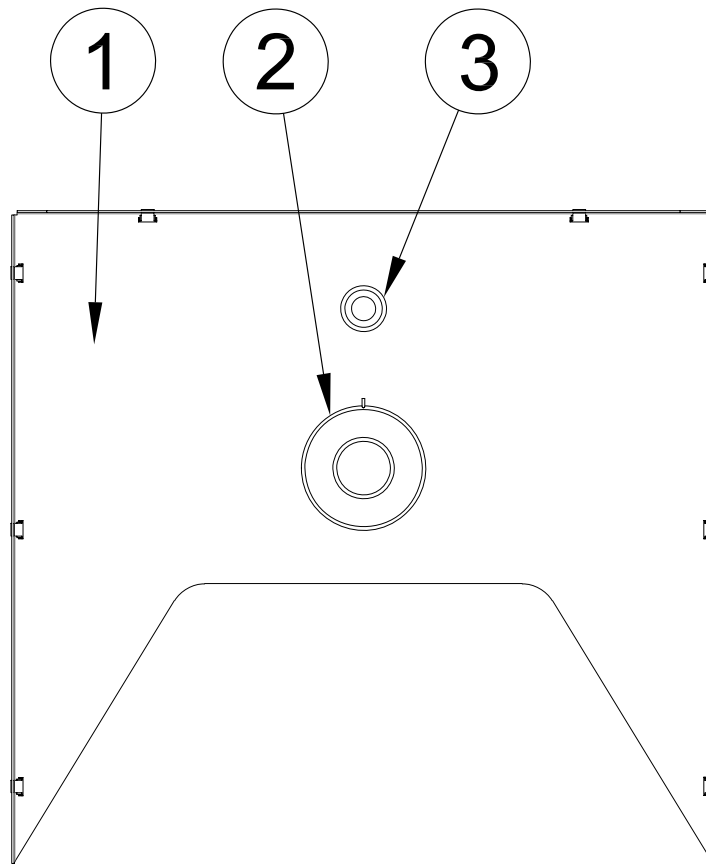
REF #	PART NUMBER	QTY	DESCRIPTION
1	93489-000	2	3.5" Exhaust Clamp
2	16009-002	1	Exhaust Support
3	93489-002	2	2.5" Muffler Clamp
4	99289-025	1	Exhaust Flex
5	16009-003	1	Exhaust Support Bracket
6	351999-1	1	Catalytic Converter
7	99298-026	1	Exhaust Pipe
8	93489-001	1	3 3/8" Muffler Clamp
9	80519-014	1	Muffler
10	350264-1	2	Mounting Band
11	300541-3	2	Exhaust Gasket
12	99298-027	1	Tail Pipe
13	53111-005	1	3.5" Rain Cap

# VAPOR FUEL SYSTEM ASSEMBLY



REF #	PART NUMBER	QTY	DESCRIPTION
1	99065-005	1	Fuel Weldment
2	92042-000	4	90° Pipe Elbow
3	42942-125	2	1 1/4" Fuel Solenoid
4	94906-001	1	Pipe Tee
5	97269-000	1	Pipe Plug
6	92388-008	2	Hose Fitting
7	81018-004	2	Hose Clamp
8	81103-000	6 FT	Hose
9	22762-000	6	Pipe Nipple

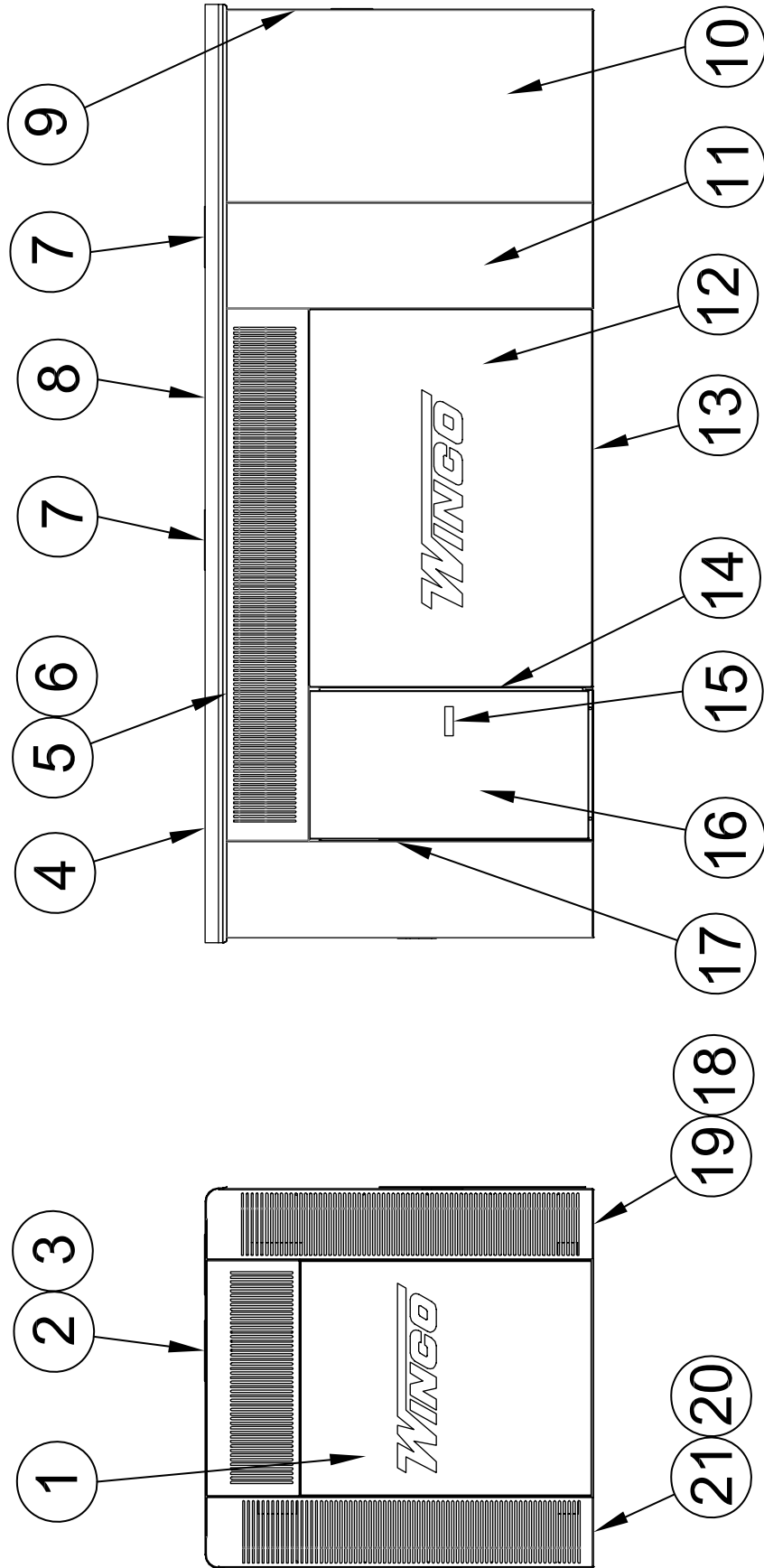
# GENERATOR MODIFICATION ASSEMBLY



REF #	PART NUMBER	QTY	DESCRIPTION
1	64702-002	1	Generator Front Panel
2	SEE TABLE	2 of 3	Current Transformer
3	SEE TABLE	1	Grommet
NI	SEE TABLE	1	AC Wiring Harness
NI	Not Illustrated		

MODEL #	PART #	DESCRIPTION
ULPSS90-3/A	80124-008	500:5 Transformer Qty: 2
	23917-000	Grommet
	99347-014	Single Phase AC Harness
ULPSS90-4/A ULPSS90-17/A ULPSS90-18/A	80124-008	500:5 Transformer Qty: 3
	62486-000	Grommet
	99347-015	3 Phase AC Harness

# HOUSING ASSEMBLY

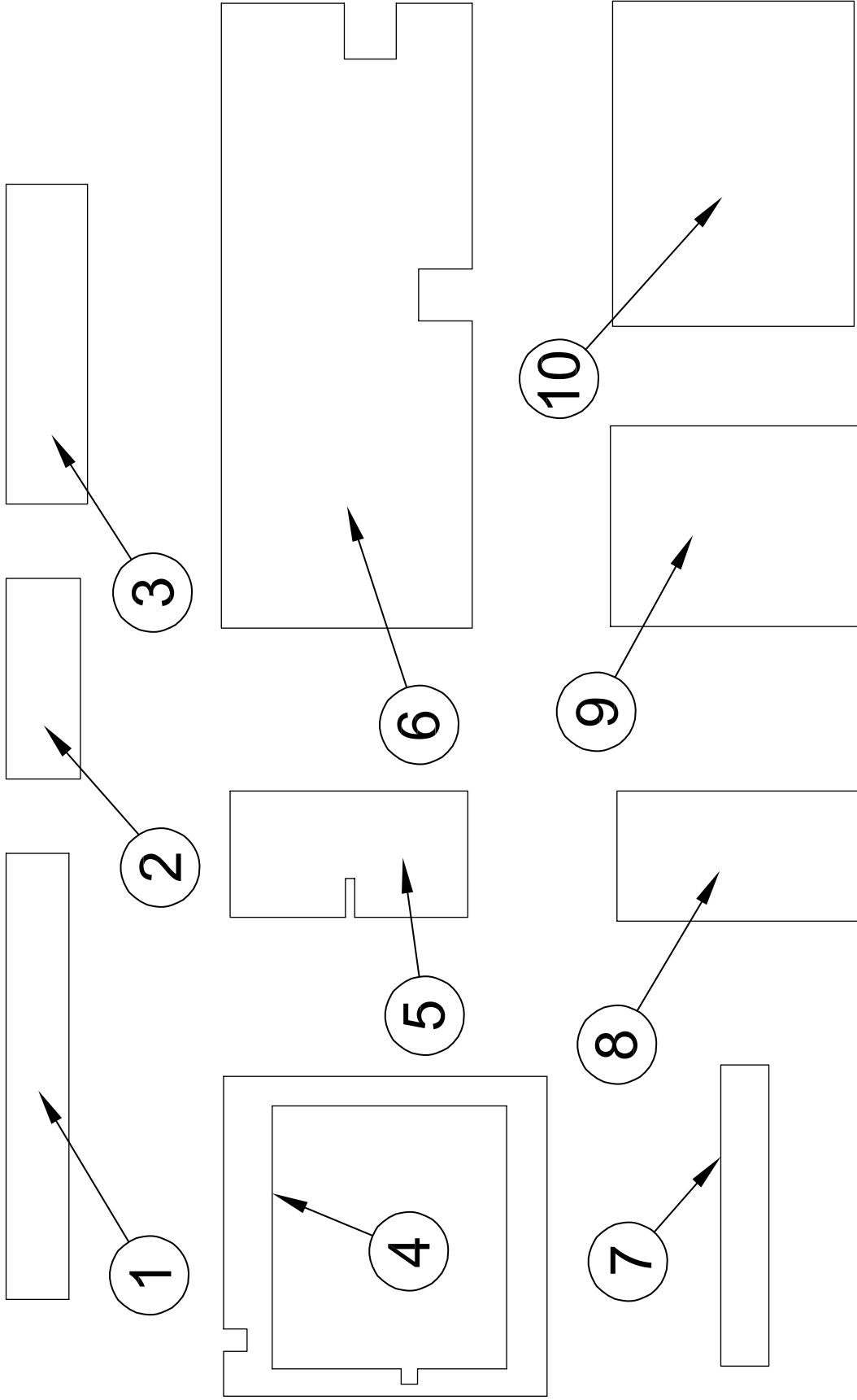


RIGHT SIDE VIEW

REAR VIEW

REF #	PART NUMBER	QTY	DESCRIPTION
1	99100-091	1	Rear Center Panel
2	99100-090	1	Rear Sill
3	99378-090	1	Rear Sill Baffle
4	99515-090	1	Roof
5	99078-091	1	Right Side Sill
6	99378-094	1	Right Side Sill Baffle
7	99515-011	2	Roof Access Cover
8	99225-005	3	Roof Support
9	99378-095	1	Exhaust (CAC) Baffle
10	99071-038	1	Housing Front
11	99071-037	1	Radiator Housing
12	99100-093	1	Right Side Panel
13	65000-003	8	Thumb Screw
14	99333-017	1	Door Stop
15	95229-005	1	Door Latch
16	15680-057	1	Door
17	98375-090	1	Hinge
18	99067-091	1	Right Rear Corner Post
19	99378-092	1	Right Rear Baffle
20	99067-090	1	Left Rear Corner Post
21	99378-091	1	Left Rear Baffle
NI	99078-090	1	Left Side Sill
NI	99378-093	1	Left Side Sill Baffle
NI	99100-094	1	Left Side Large Panel
NI	99100-092	1	Left Side Rear Small Panel
NI	91682-002	8	¼ Turn Stud - Bail Style
NI	91683-000	8	¼ Turn Rect - Clip Nut
NI	91684-000	8	¼ Turn Retainer
NI	92421-000	12 FT	1.5" X 1.5" Foam Strip
NI	62912-002	12 FT	.375" Wide Foam Strip
NI	62912-000	4 FT	½" Wide Foam Strip
NI	99060-008	4	Lifting Eye Cover Plate
NI	Not Illustrated		

# ACOUSTIC FOAM PIECES



# ACOUSTIC FOAM PIECES

REF #	PART NUMBER	QTY	DESCRIPTION
1	99393-426	2	Side Sill Foam
2	99393-430	1	Rear Center Baffle Foam
3	99393-424	2	Radiator Side Foam
4	99393-423	1	Radiator Housing Foam
5	99393-427	1	Door Foam
6	99393-422	1	Roof Foam
7	99393-428	2	Rear Baffle Foam
8	99393-431	1	Rear Side Panel Foam
9	99393-425	1	Rear Center Foam
10	99393-429	2	Side Panel Foam

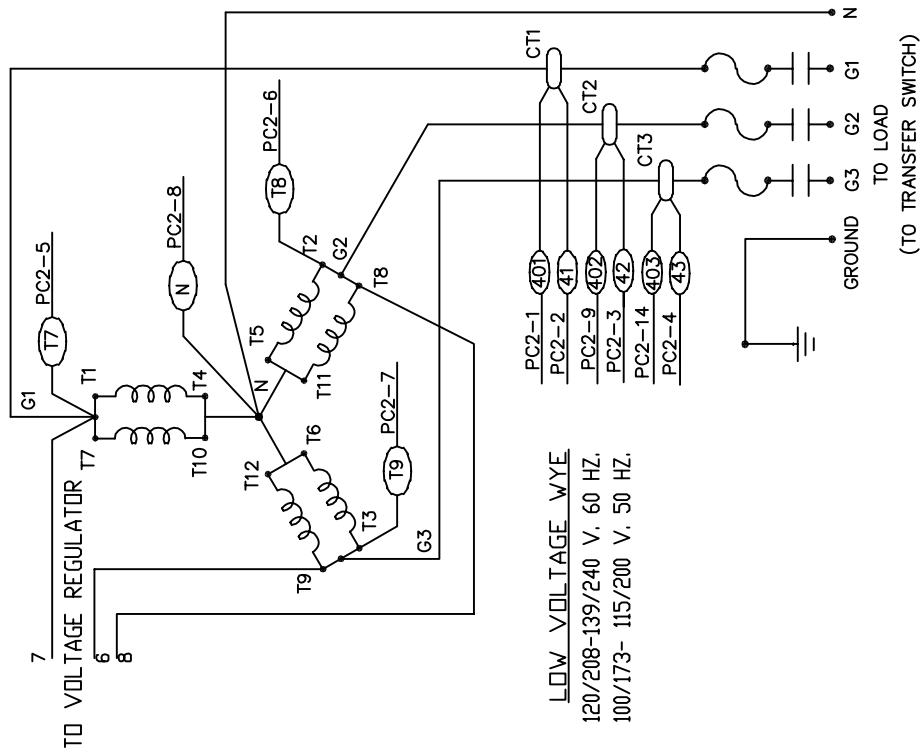
# DECALS

REF #	PART NUMBER	QTY	DESCRIPTION
NI	97813-000	3	Auto Start Warning Decal
NI	63941-001	1	Hot Surface Decal
NI	15209-000	1	UL Decal Set
NI	15209-100	1	UL Decal Set French
NI	16502-001	1	AC Disconnect Decal
NI	63941-003	1	Battery Compartment Decal
NI	63941-005	1	Receptacle Caution Decal
NI	Not Illustrated		





# ULPSS90-4/A



# ULPSS90-17/A

